



US00D842004S

(12) **United States Design Patent** (10) **Patent No.:** **US D842,004 S**  
**Joseph** (45) **Date of Patent:** **\*\* Mar. 5, 2019**

(54) **TOILET BRUSH HOLDER** D761,587 S \* 7/2016 Harrington ..... D6/551  
 D784,722 S \* 4/2017 Meier ..... D6/525

(71) Applicant: **JOSEPH JOSEPH, LTD.**, London (GB)

\* cited by examiner

(72) Inventor: **Antony Joseph**, London (GB)

*Primary Examiner* — Wan Laymon  
*Assistant Examiner* — Mark Booker

(73) Assignee: **JOSEPH JOSEPH LTD.**, London (GB)

(74) *Attorney, Agent, or Firm* — Millen, White, Zelano & Branigan, PC

(\*\*) Term: **15 Years**

(21) Appl. No.: **29/614,952**

(57) **CLAIM**

(22) Filed: **Aug. 24, 2017**

The ornamental design for a toilet brush holder, as shown and described.

(30) **Foreign Application Priority Data**

Mar. 8, 2017 (EM) ..... 003789437

(51) **LOC (11) Cl.** ..... **06-04**

(52) **U.S. Cl.**  
 USPC ..... **D6/525**

(58) **Field of Classification Search**  
 USPC ..... D6/525, 551; D7/541, 555, 615;  
 4/255.05, 255.11; 206/207, 349, 361;  
 220/263; 312/206, 207  
 CPC ..... A47K 17/00; A47K 11/10; A47K 3/001;  
 B65D 47/40  
 See application file for complete search history.

(56) **References Cited**

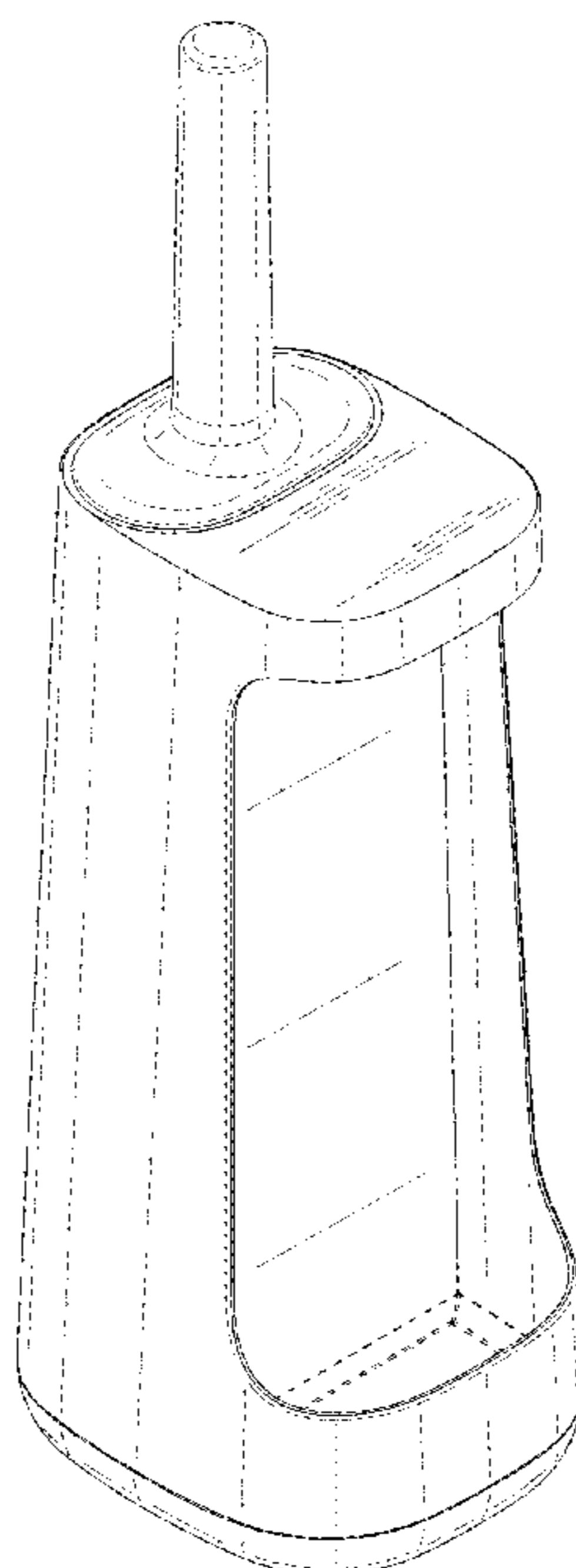
U.S. PATENT DOCUMENTS

D688,488 S \* 8/2013 Wang ..... D6/524

**DESCRIPTION**

FIG. 1 is a top perspective view of the toilet brush holder showing my new design.  
 FIG. 2 is a front view thereof.  
 FIG. 3 is a back view thereof.  
 FIG. 4 is a side view thereof.  
 FIG. 5 is another side view thereof.  
 FIG. 6 is a top view thereof.  
 FIG. 7 is a bottom view thereof.  
 FIG. 8 is a front top perspective exploded view thereof; and, FIG. 9 is a back top perspective exploded view thereof.  
 The broken lines in the drawings illustrate portions of the toilet brush holder which form no part of the claimed design.

**1 Claim, 9 Drawing Sheets**



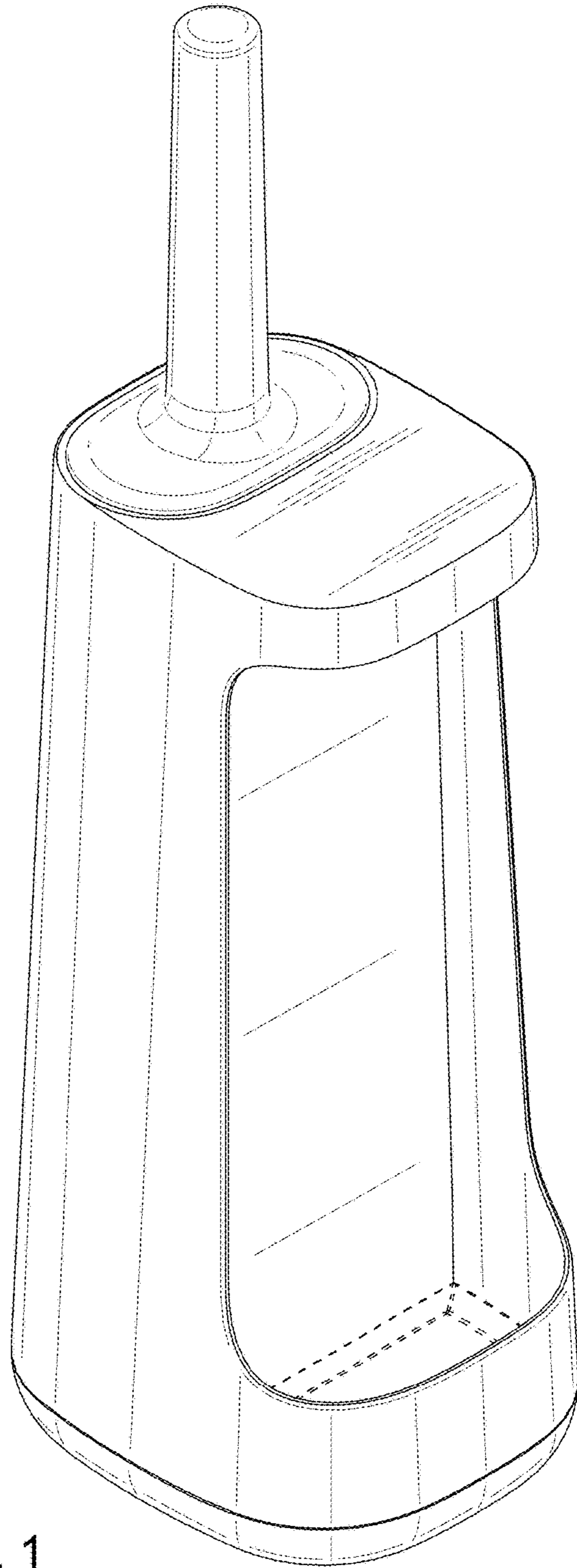


FIG. 1

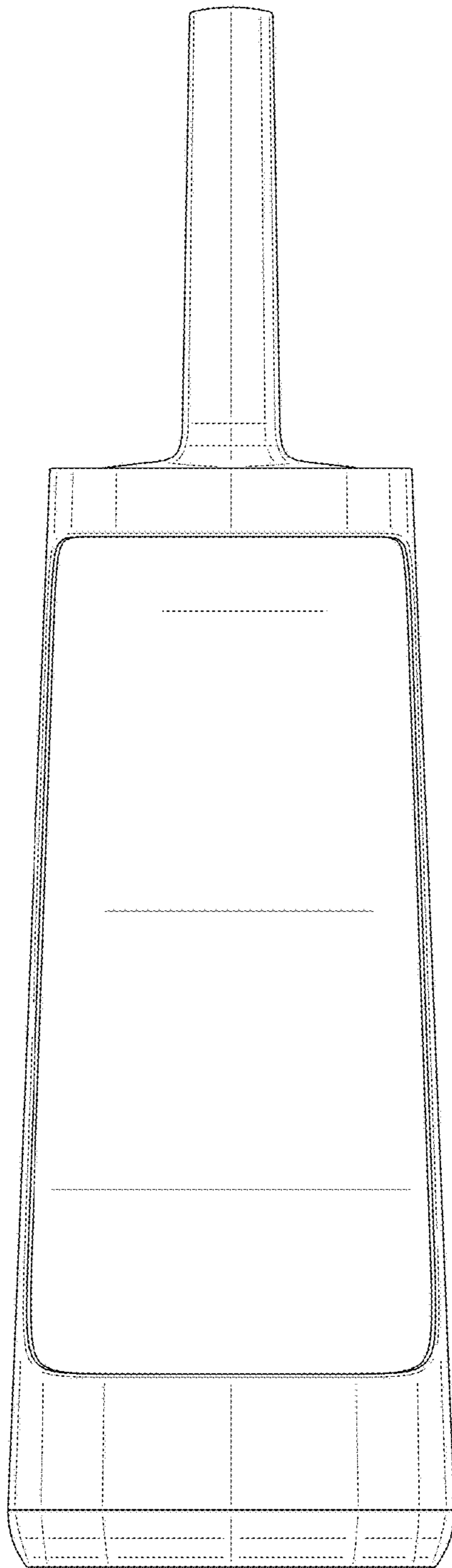


FIG. 2

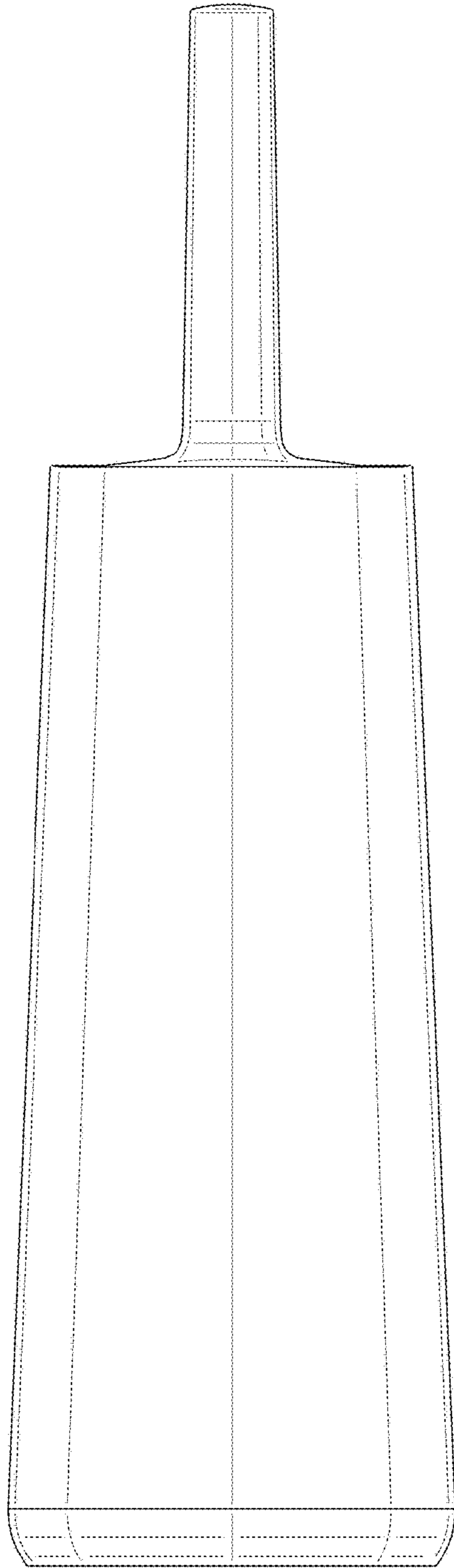


FIG. 3

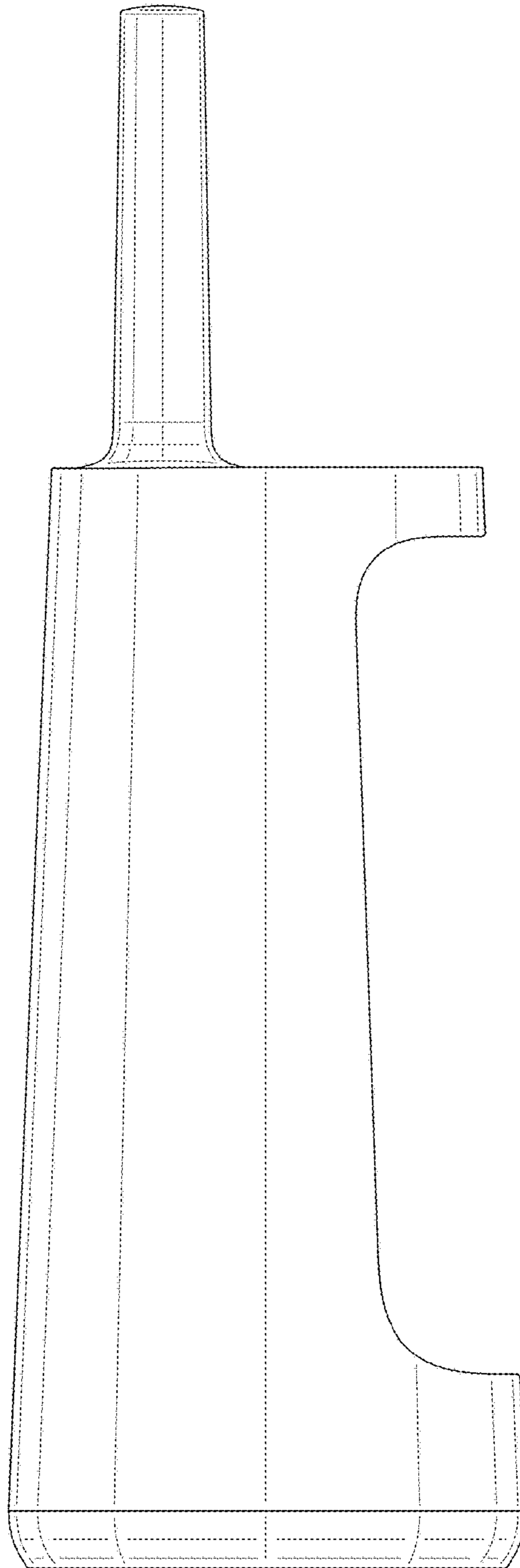


FIG. 4

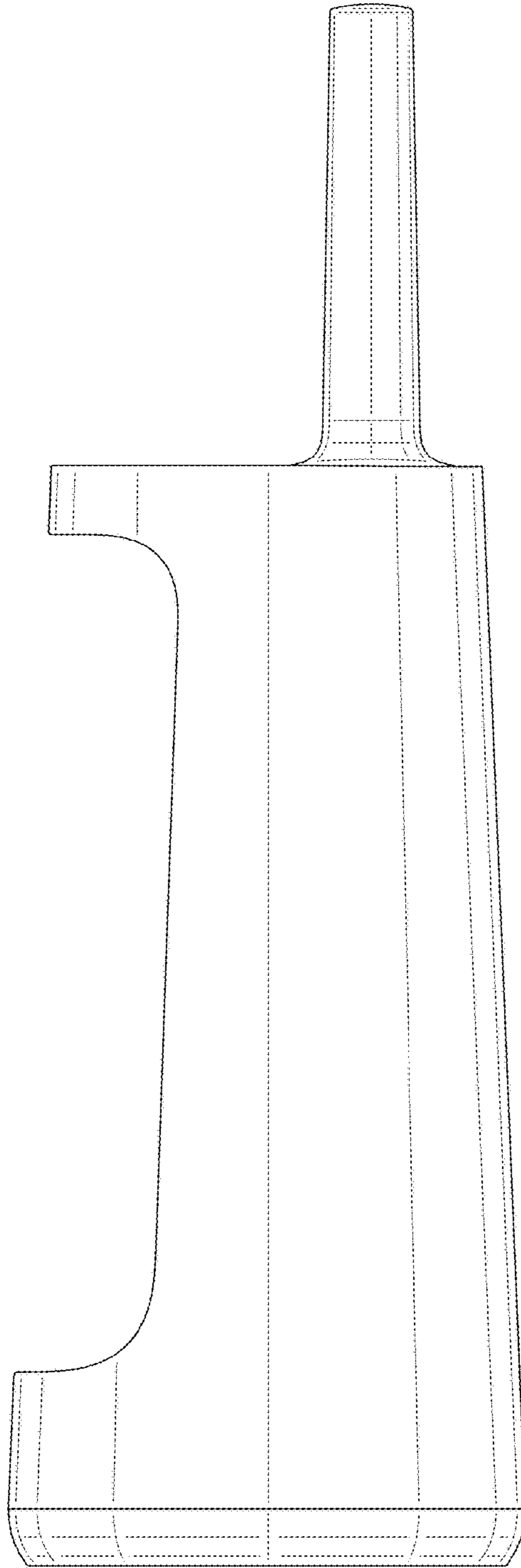


FIG. 5

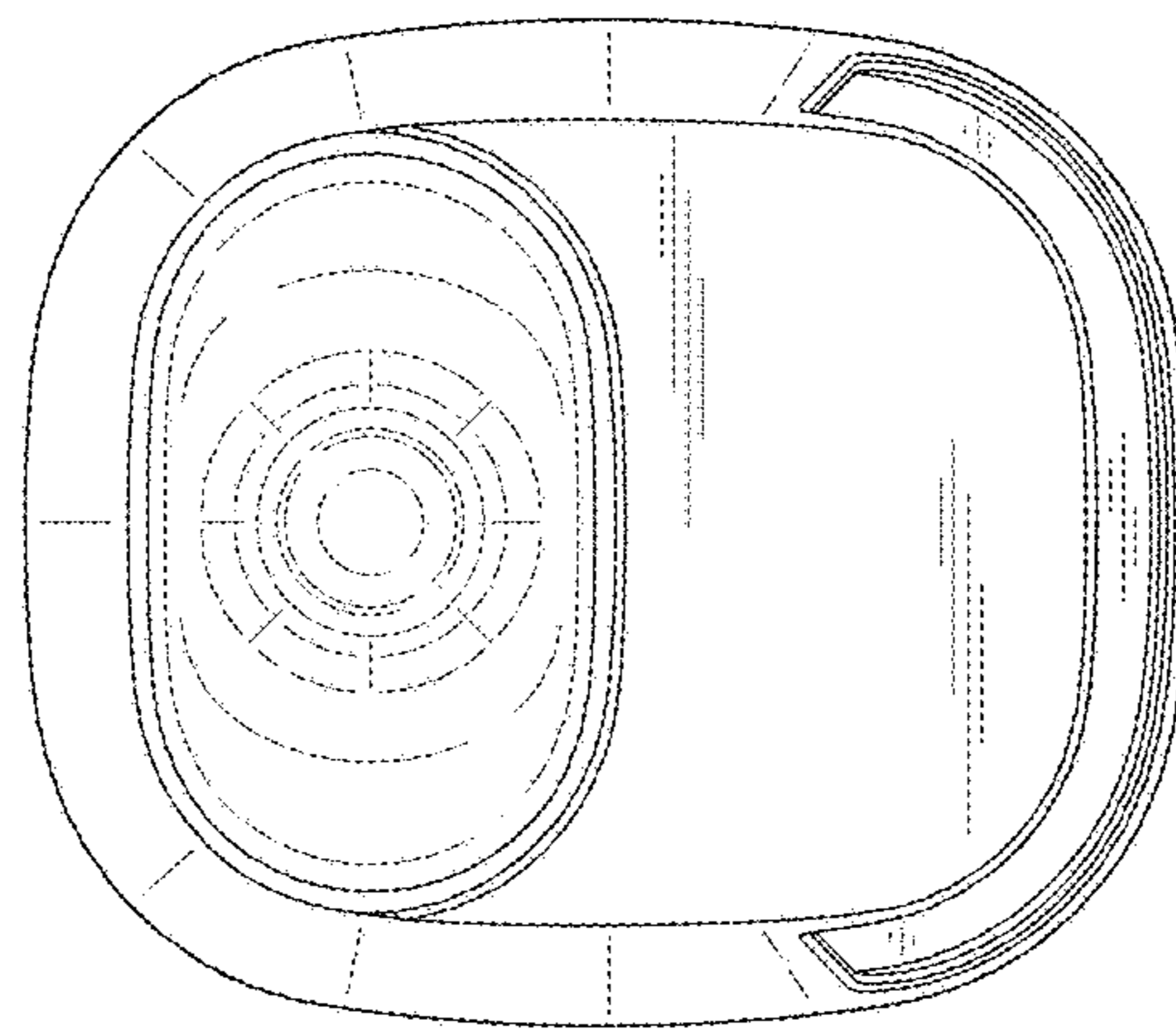


FIG. 6

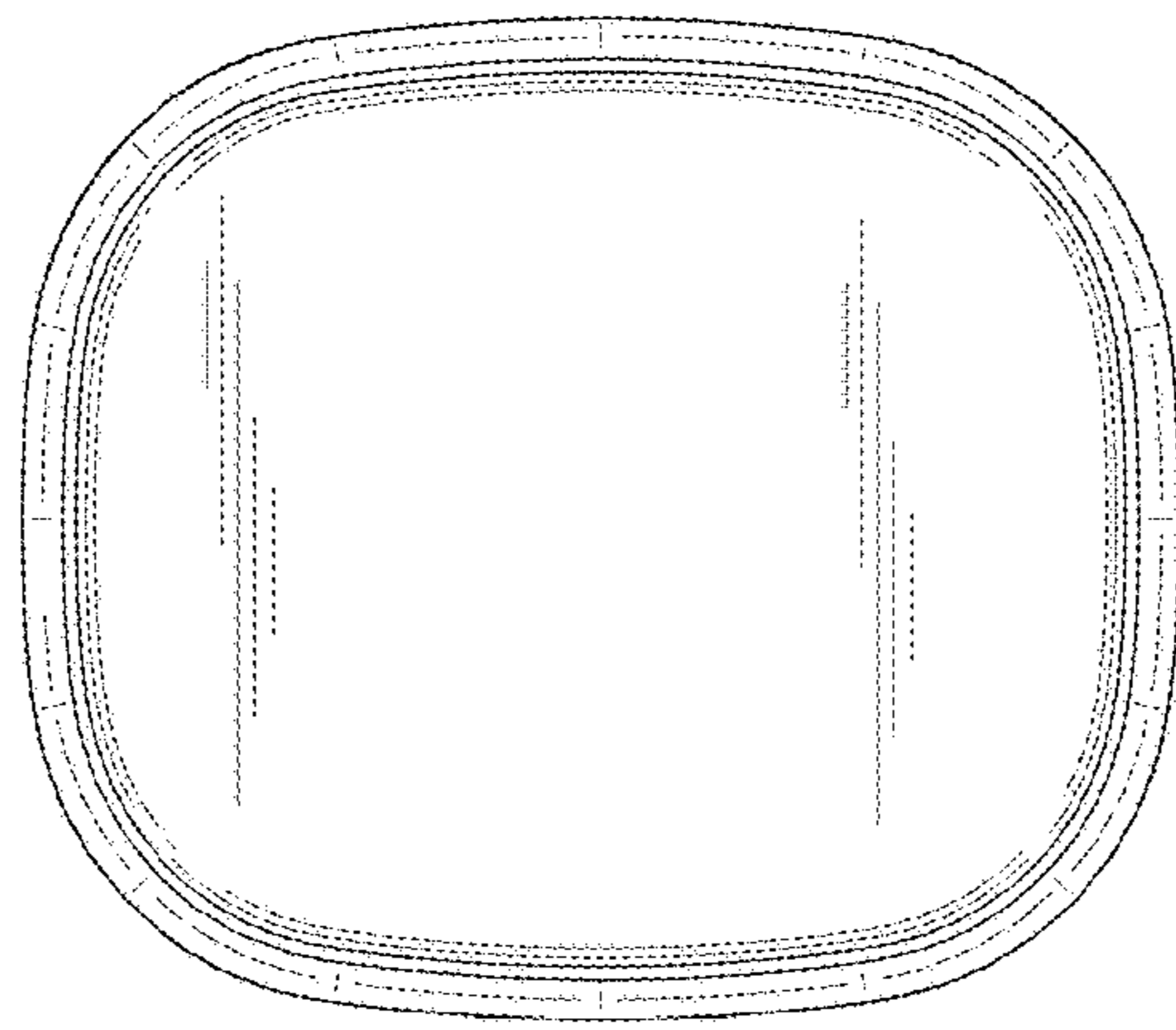


FIG. 7



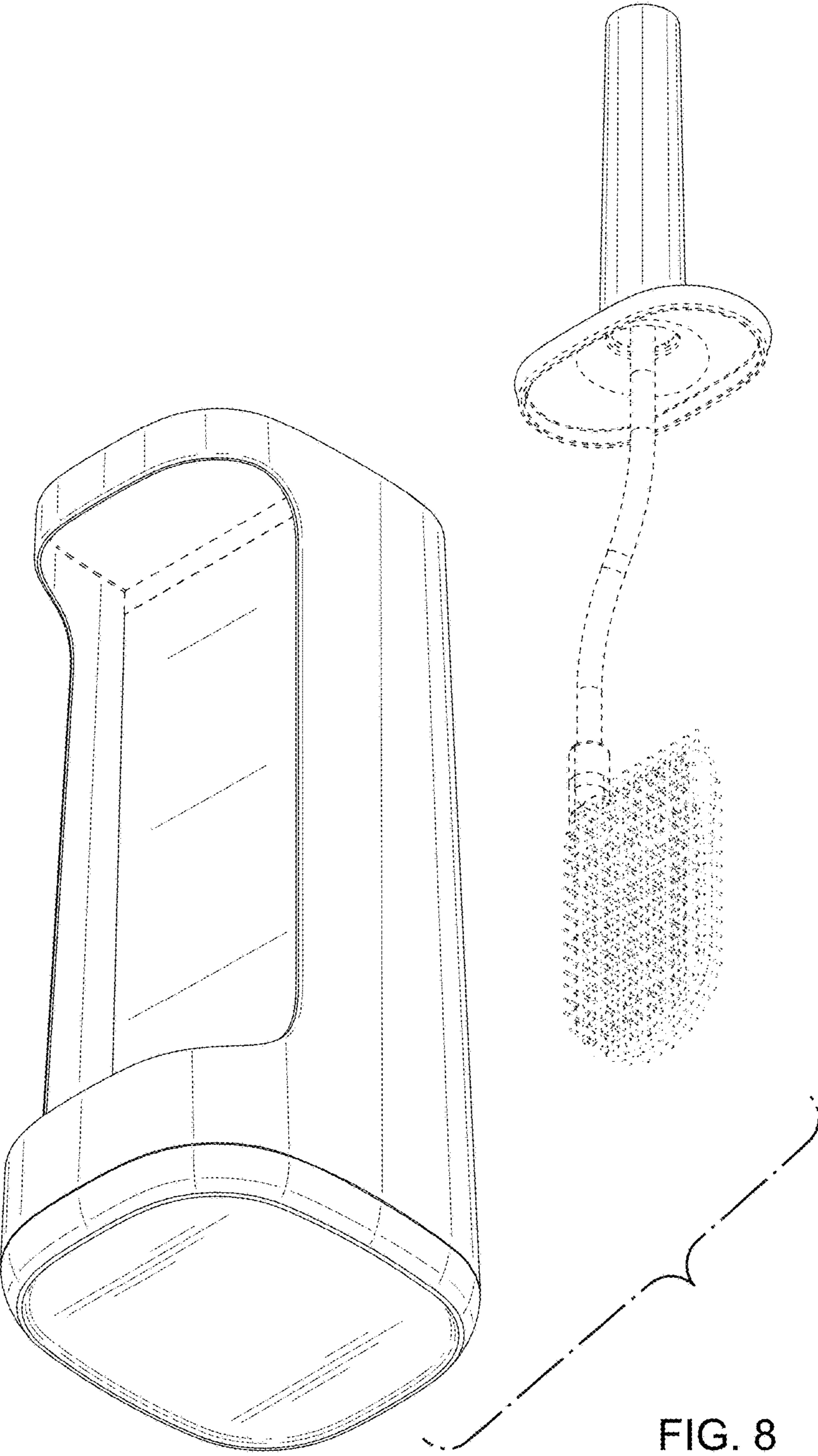


FIG. 8

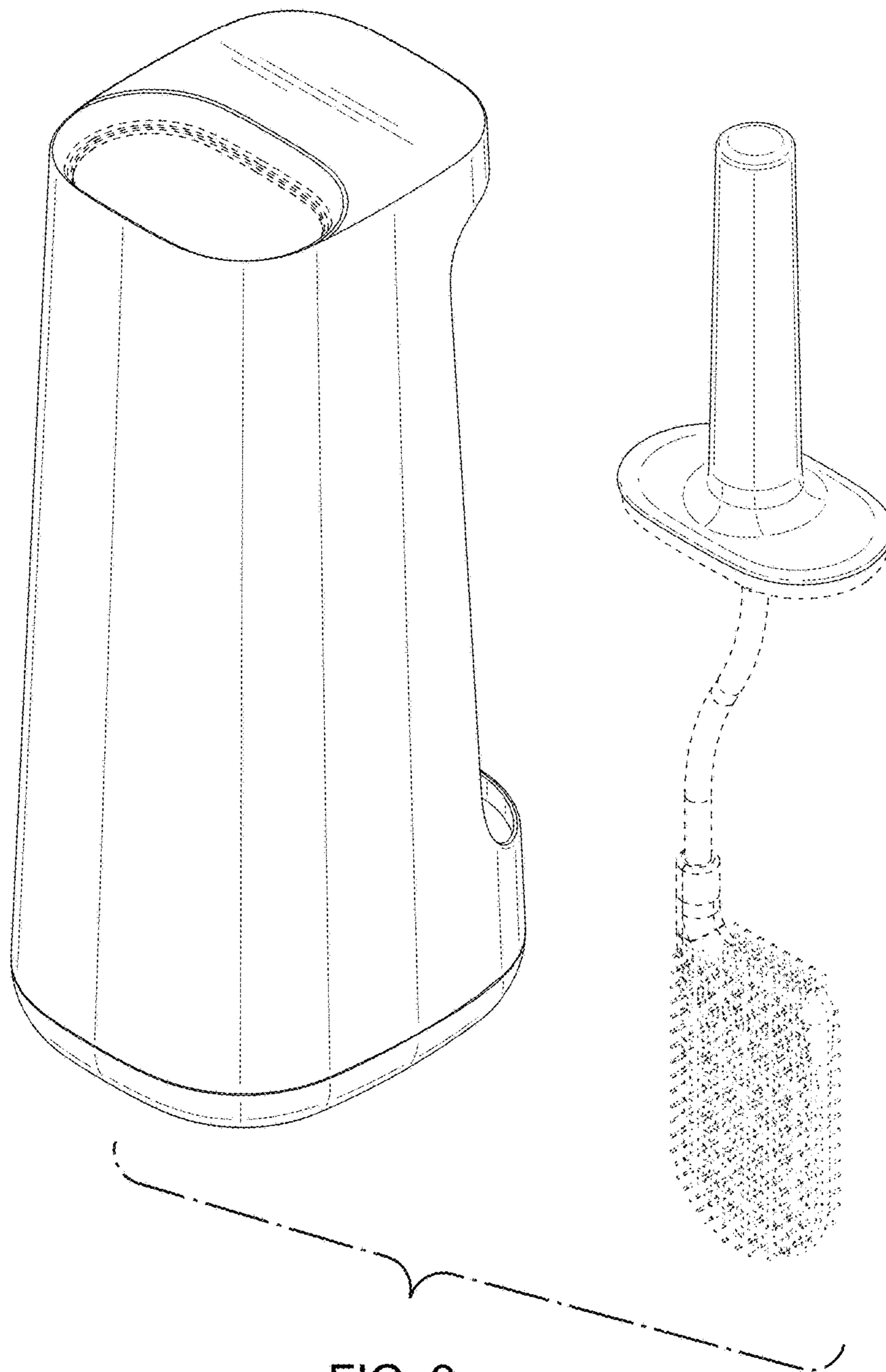


FIG. 9