



US00D842003S

(12) **United States Design Patent**  
**Soileau**

(10) **Patent No.:** **US D842,003 S**  
(45) **Date of Patent:** **\*\* Mar. 5, 2019**

(54) **PAPER ROLL HOLDER**

(71) Applicant: **Felton Ray Soileau**, Sunset, LA (US)

(72) Inventor: **Felton Ray Soileau**, Sunset, LA (US)

(\*\*) Term: **15 Years**

(21) Appl. No.: **29/635,253**

(22) Filed: **Jan. 30, 2018**

(51) **LOC (11) Cl.** ..... **20-02**

(52) **U.S. Cl.**  
USPC ..... **D6/518**

(58) **Field of Classification Search**  
USPC ..... D6/518-522; 211/13.1, 45, 59.1, 89.01;  
248/309.1, 309.2; 206/389, 391;  
242/590, 597.7  
CPC .... A47K 10/04; A47K 10/10; A47K 10/3836;  
A47K 2010/324; A47K 2010/389; B08B  
1/006  
See application file for complete search history.

(56) **References Cited**

**U.S. PATENT DOCUMENTS**

D468,558 S *	1/2003	Sciandra	.....	D6/681.1
D476,835 S *	7/2003	Lai	.....	D6/523
D492,859 S *	7/2004	Sciandra	.....	D6/681
D493,044 S *	7/2004	Sciandra	.....	D6/681.1
6,988,691 B1 *	1/2006	Lai	.....	A47K 10/38 242/594
D519,302 S *	4/2006	Sciandra	.....	D6/681
D520,281 S *	5/2006	Lin	.....	D6/523
D523,260 S *	6/2006	Sciandra	.....	D6/681
D642,410 S *	8/2011	Vaults, Jr.	.....	D6/524
D649,714 S	11/2011	Key		
D691,389 S *	10/2013	Snider	.....	D6/519

D775,850 S *	1/2017	Tsai	.....	D6/523
2004/0000612 A1 *	1/2004	Young	.....	A47K 10/3836 242/597.8
2016/0095478 A1 *	4/2016	Toma	.....	A47K 10/38 242/594

\* cited by examiner

*Primary Examiner* — David G Muller

*Assistant Examiner* — Nathan M Johnston

(74) *Attorney, Agent, or Firm* — Dunlap Bennett & Ludwig PLLC

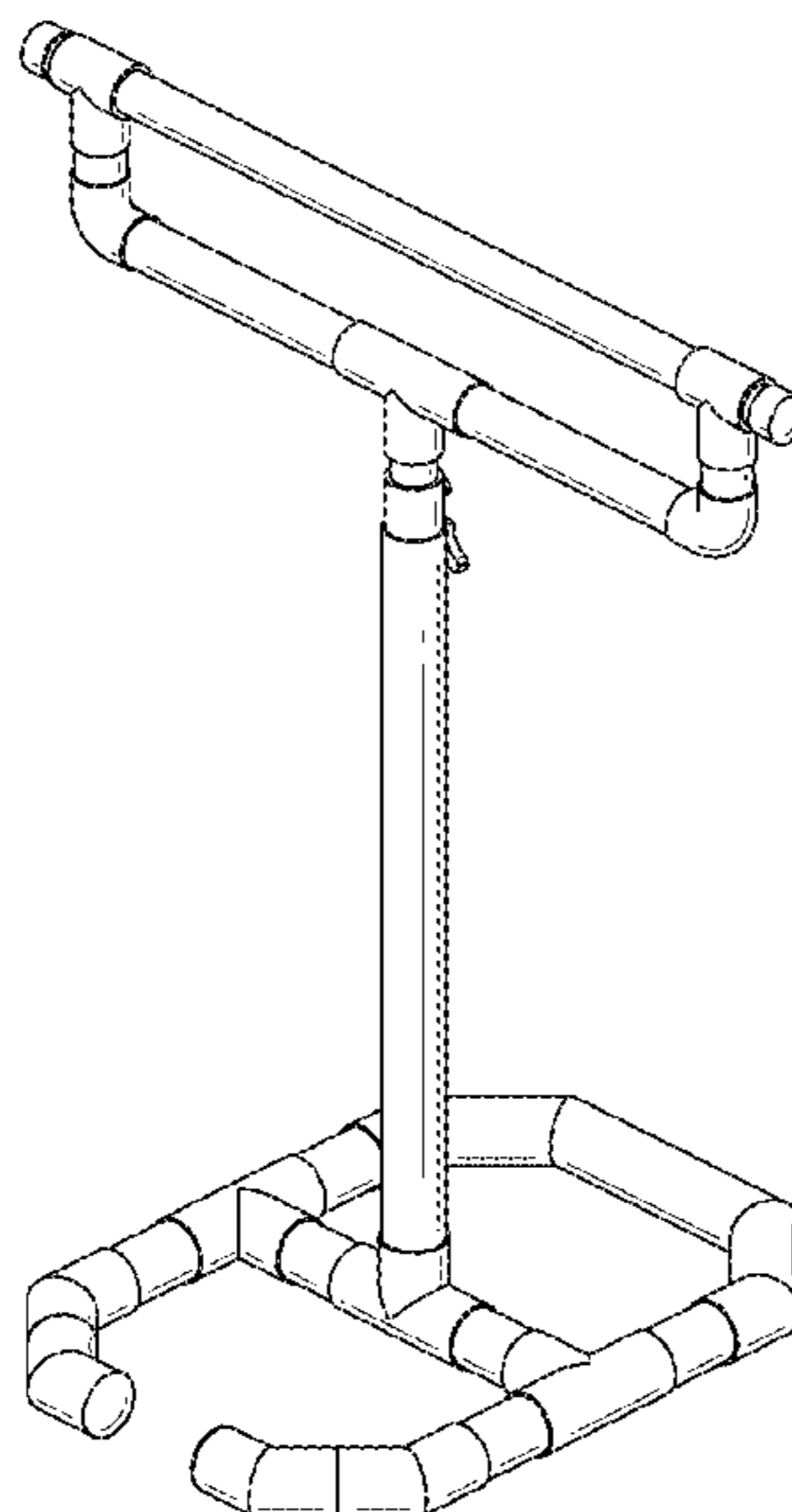
(57) **CLAIM**

The ornamental design for a paper roll holder, as shown and described.

**DESCRIPTION**

FIG. 1 is a front perspective view of a paper roll holder, showing my new design;  
 FIG. 2 is a front elevation view thereof;  
 FIG. 3 is a rear elevation view thereof;  
 FIG. 4 is a left side elevation view thereof, the right side elevation view being a mirror image of FIG. 4;  
 FIG. 5 is a top plan view of FIG. 1;  
 FIG. 6 is a bottom plan view of FIG. 1; and,  
 FIG. 7 is a front perspective view of a paper roll holder, shown in use.  
 The broken line showing of parts of the drawings is included for the purpose of illustrating use and environment and forms no part of the claimed design. The dash dot lines immediately adjacent to the claimed areas in the views represent the boundaries of the claimed design. None of the broken lines form any part of the claimed design.

**1 Claim, 5 Drawing Sheets**



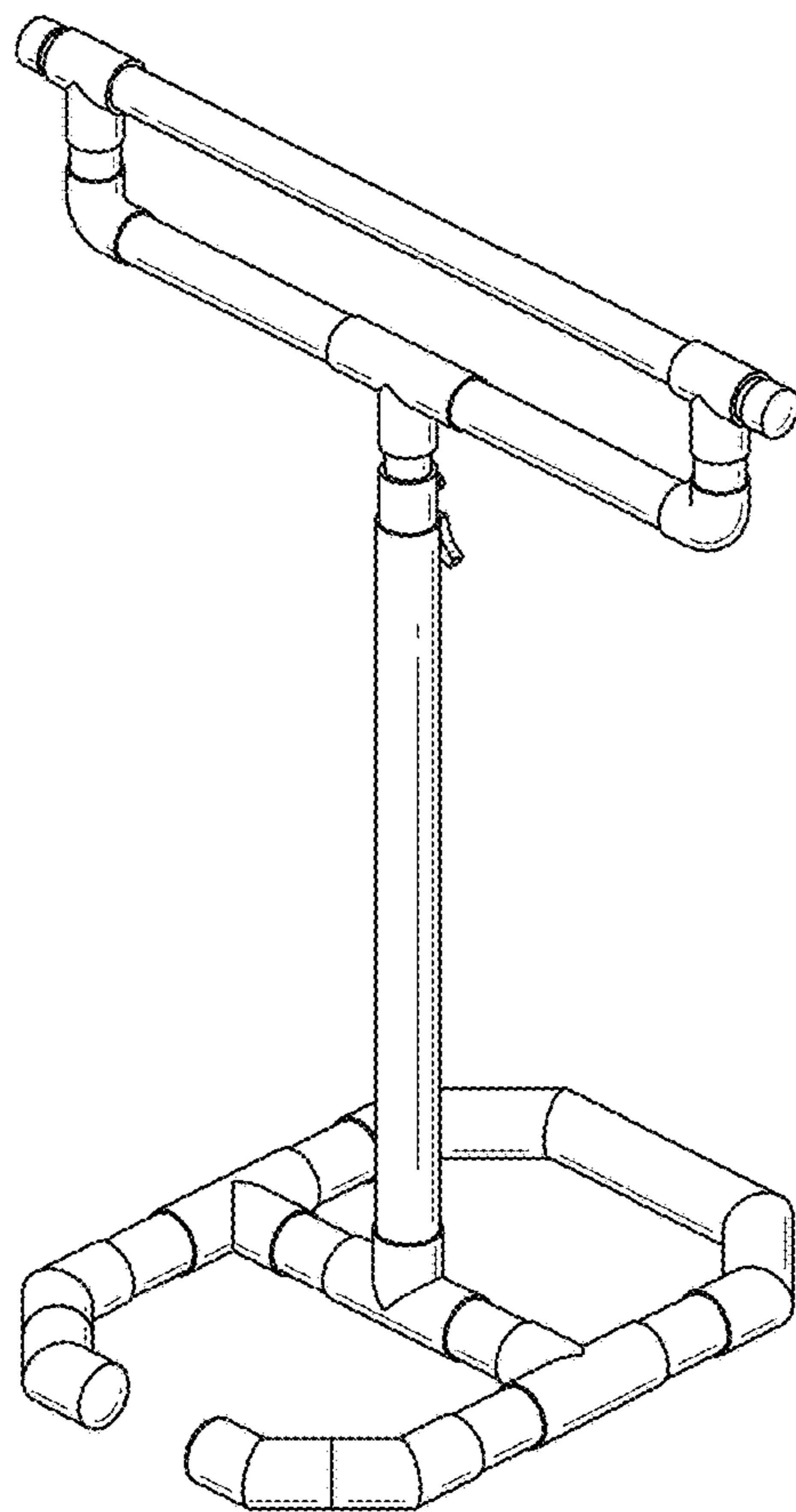


FIG. 1

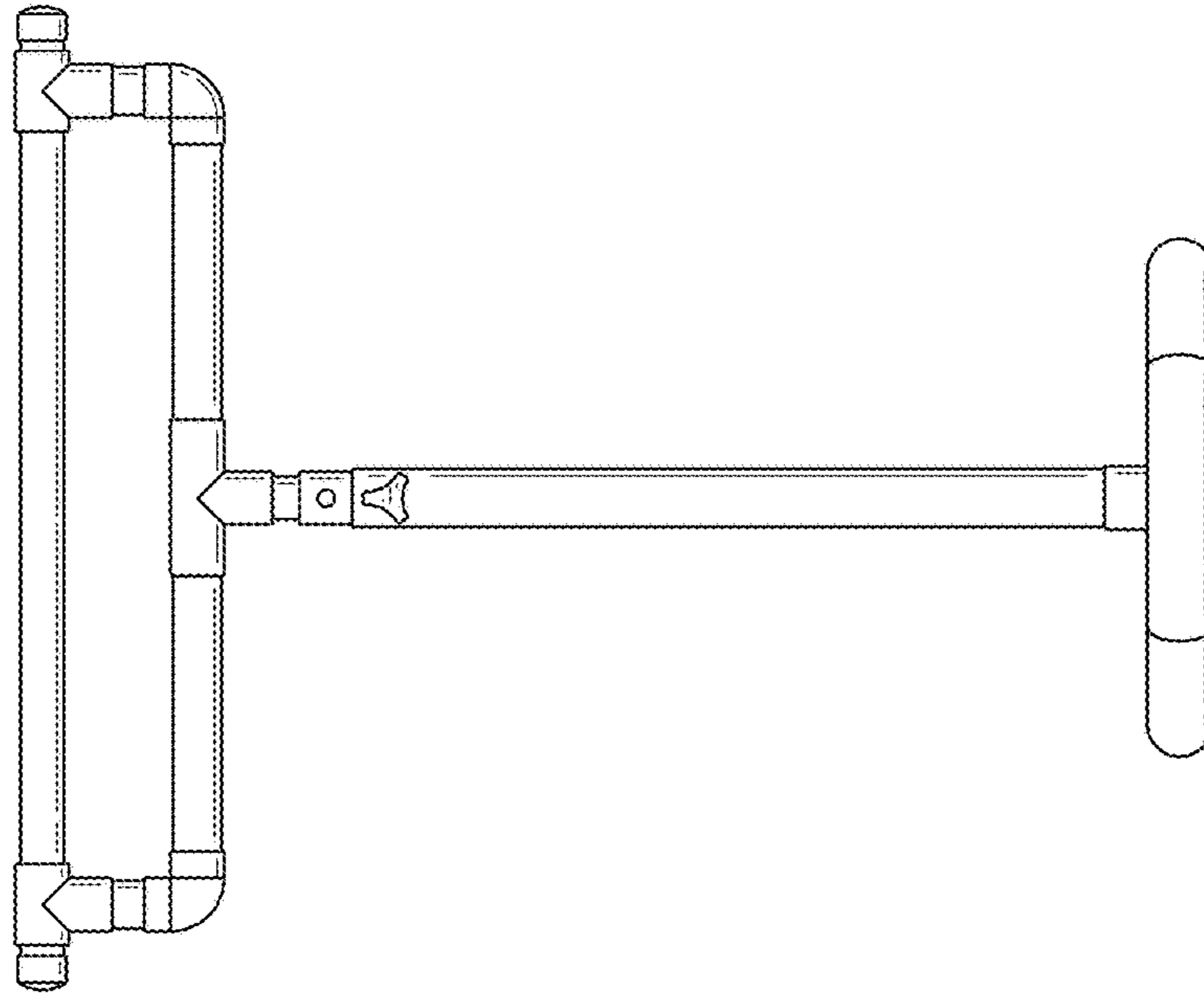


FIG. 3

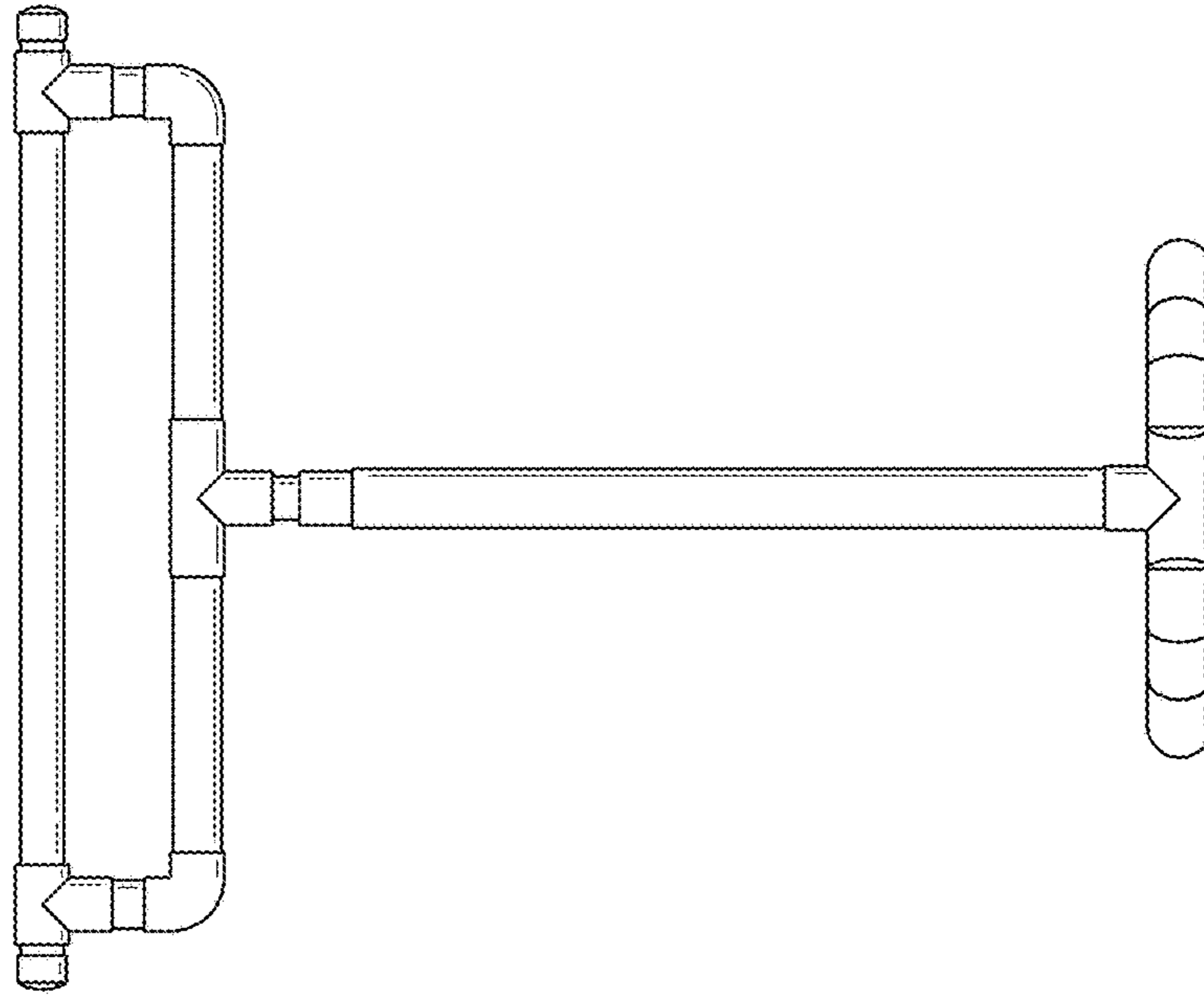


FIG. 2

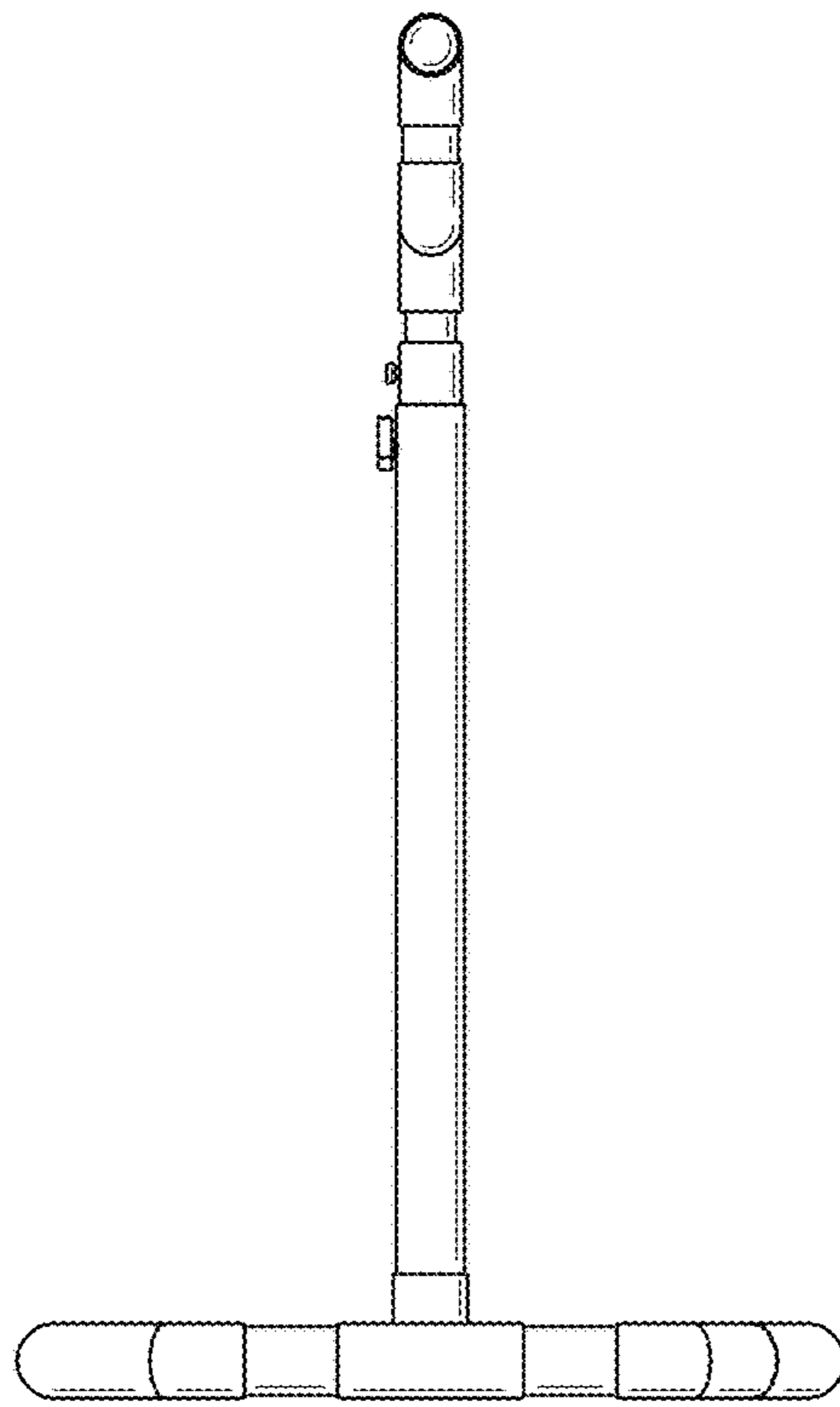


FIG. 4

FIG. 5

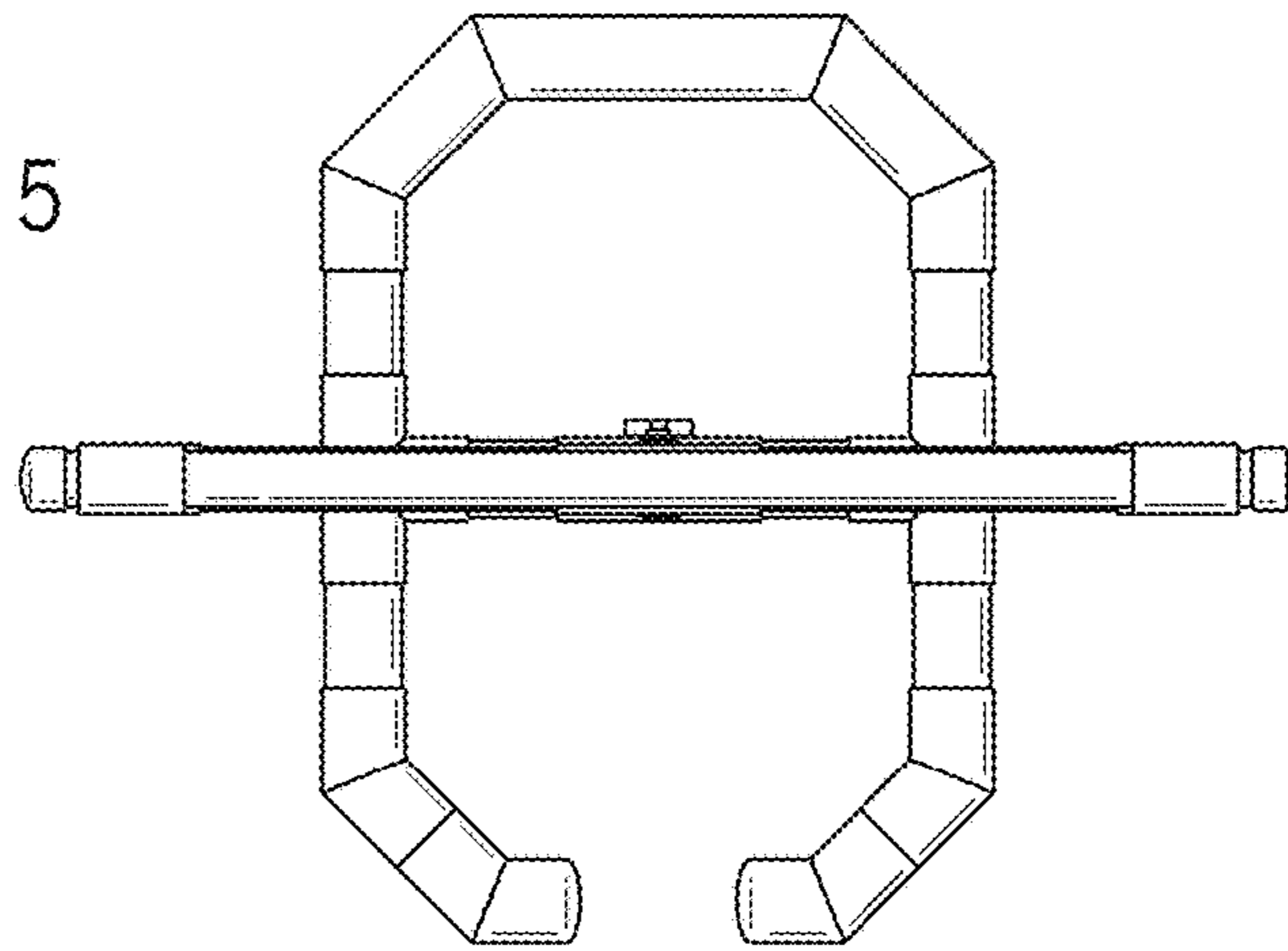
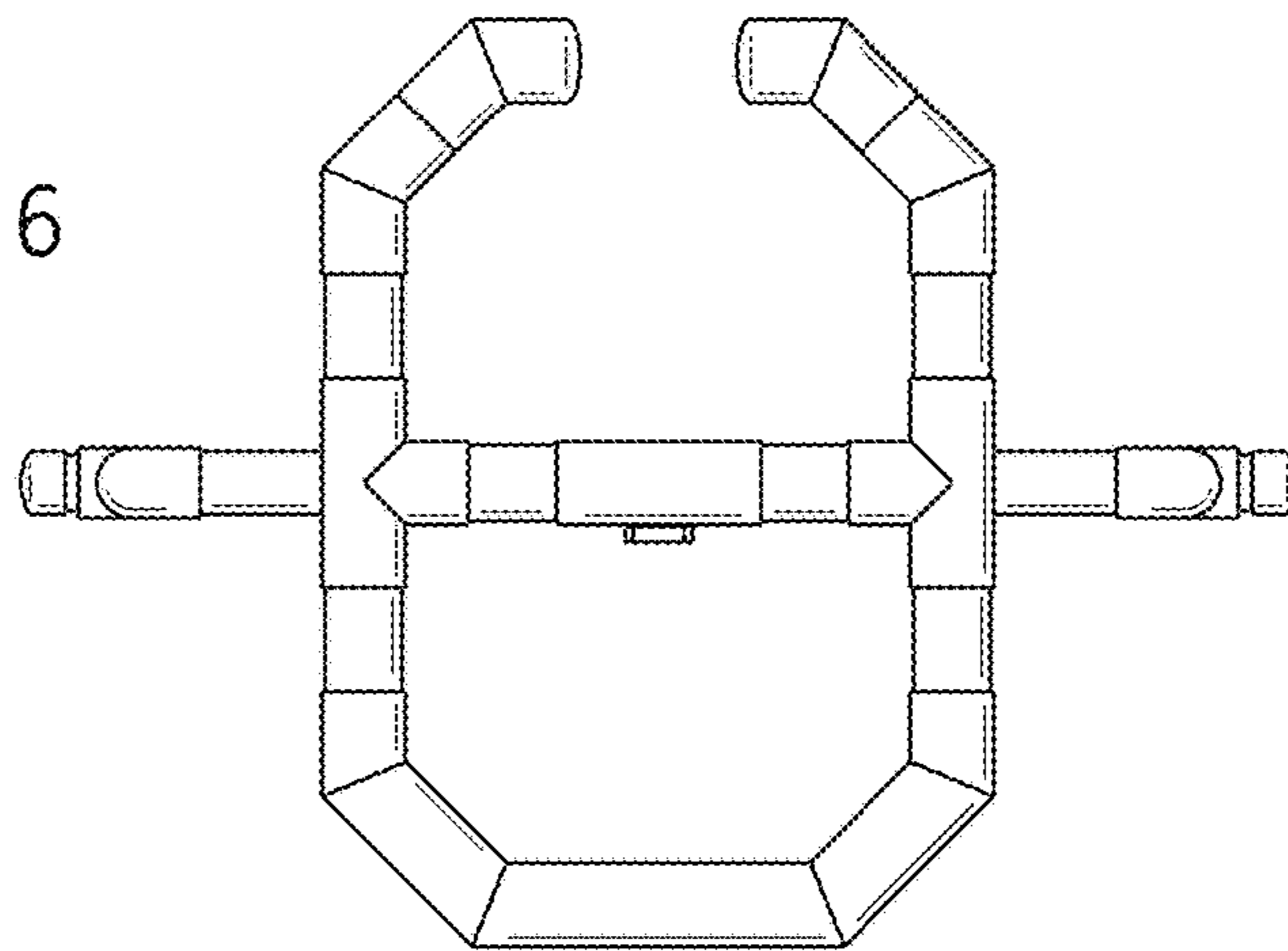


FIG. 6



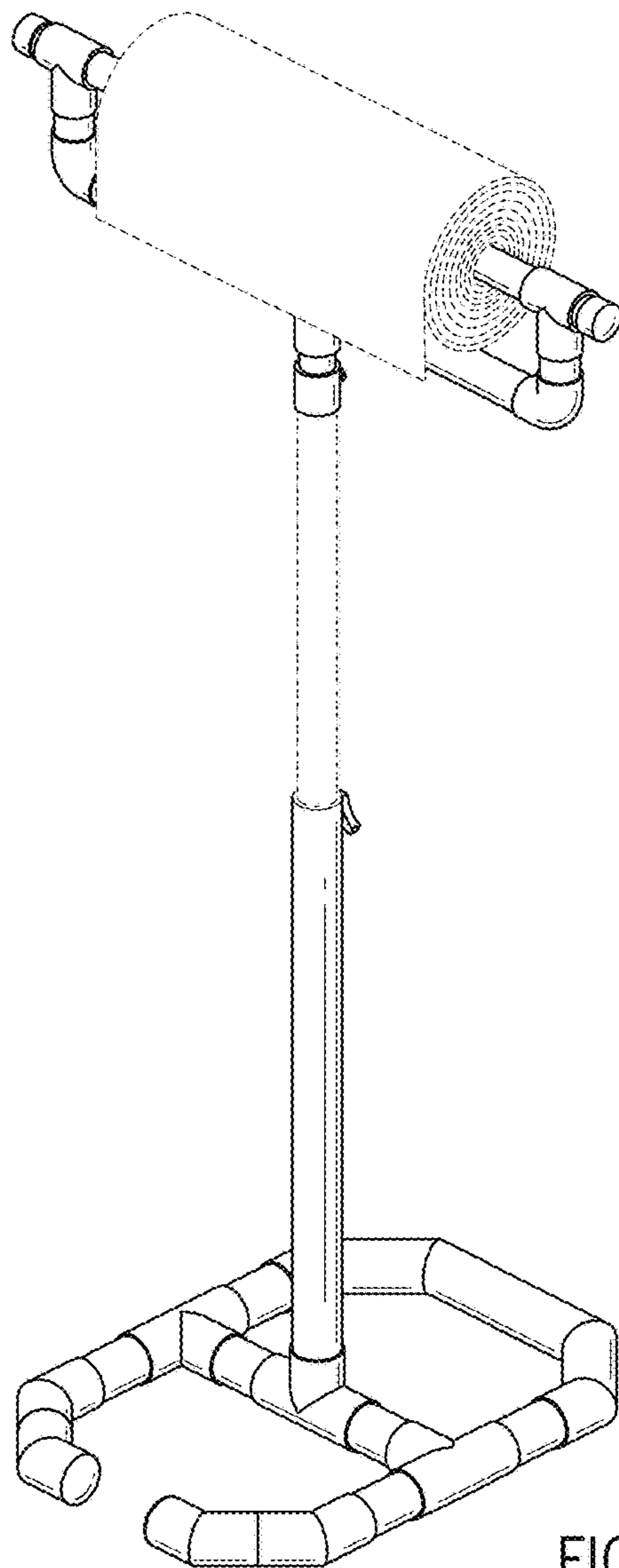


FIG. 7