



US00D842000S

(12) **United States Design Patent**
Benedito Graells

(10) **Patent No.:** **US D842,000 S**

(45) **Date of Patent:** **** Mar. 5, 2019**

- (54) **TABLE FOR CHANGING BABIES DIAPERS**
- (71) Applicant: **Mediclinics S,A**, Barcelona (ES)
- (72) Inventor: **Ramón Benedito Graells**, Barcelona (ES)
- (73) Assignee: **Mediclinics S.A.**, Barcelona (ES)
- (**) Term: **15 Years**
- (21) Appl. No.: **29/602,945**
- (22) Filed: **May 5, 2017**
- (51) **LOC (11) Cl.** **06-02**
- (52) **U.S. Cl.**
USPC **D6/391**
- (58) **Field of Classification Search**
USPC D6/390–392, 555, 567, 574
CPC A47D 5/00; A47D 5/003; A47D 5/006
See application file for complete search history.

- 2008/0209632 A1* 9/2008 Presnell A47D 5/003
5/136
- 2009/0038079 A1* 2/2009 Babikian A47D 5/003
5/655
- 2010/0037396 A1* 2/2010 Babikian A47D 5/003
5/655

* cited by examiner

Primary Examiner — Cathron C Brooks

(74) *Attorney, Agent, or Firm* — Thedford I. Hitaffer;
Hitaffer & Hitaffer, PLLC

(57) **CLAIM**

The ornamental design for the table for changing babies
diapers, as shown and described.

DESCRIPTION

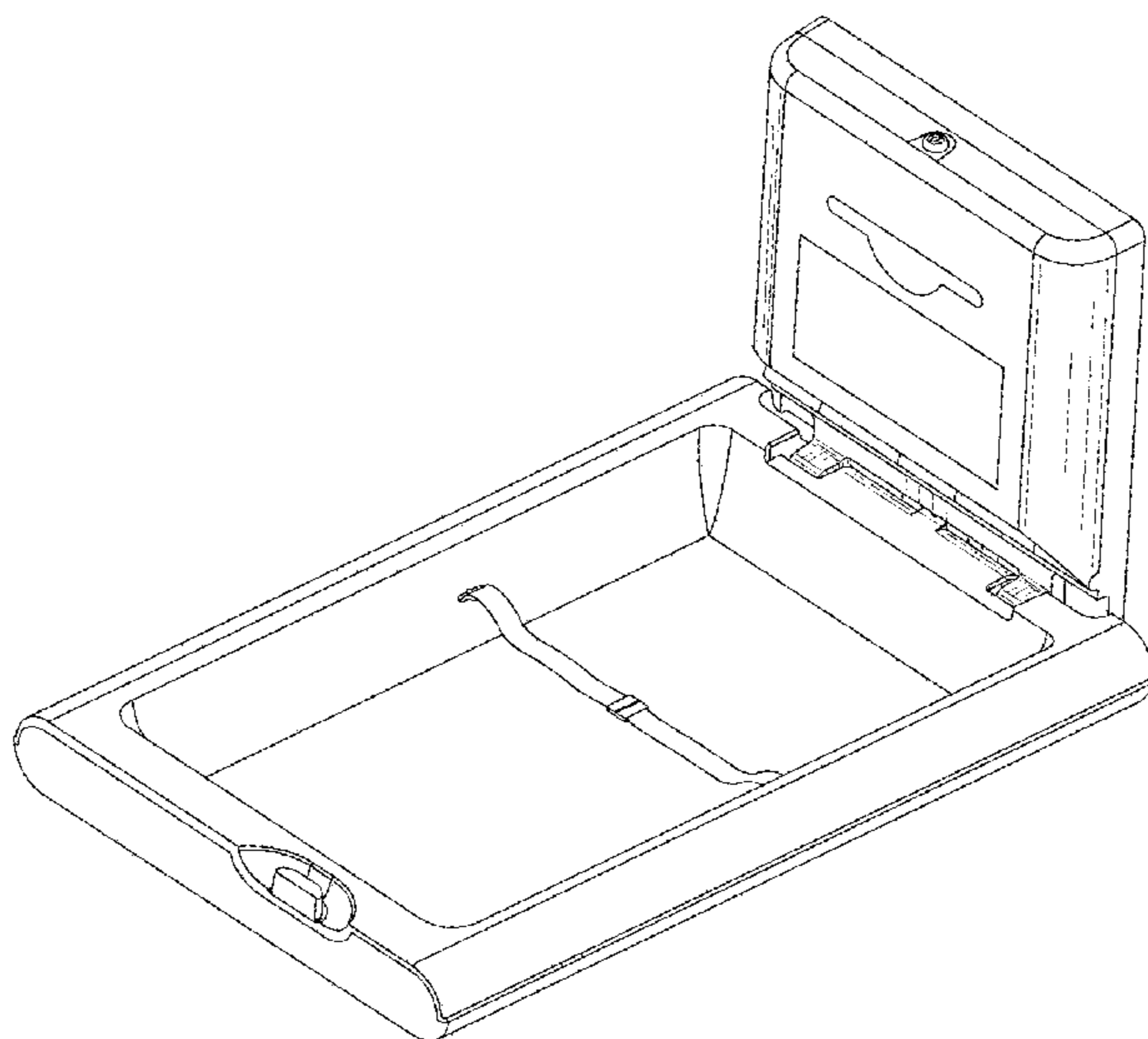
FIG. 1 is a front view in an open position of the table for
changing babies diapers showing my new ornamental
design;
FIG. 2 is a front view in a closed position of FIG. 1;
FIG. 3 is a left side view in an open position of FIG. 1;
FIG. 4 is a left side view in a closed position of FIG. 1;
FIG. 5 is a right side view in an open position of FIG. 1;
FIG. 6 is a right side view in a closed position of FIG. 1;
FIG. 7 is a bottom view in an open position of FIG. 1;
FIG. 8 is a perspective view of FIG. 1;
FIG. 9 is a rear view in an open position of FIG. 1;
FIG. 10 is a rear view in a closed position of FIG. 1; and,
FIG. 11 is a bottom view in an open position of FIG. 1.
The broken lines illustrate portions of the table for changing
babies diapers that form no part of the claimed design.

(56) **References Cited**

U.S. PATENT DOCUMENTS

- D326,384 S * 5/1992 Burt 5/947
- 5,906,015 A * 5/1999 Hilger A47D 5/003
5/133
- 6,032,310 A * 3/2000 Helmsderfer A47D 5/003
5/136
- 6,151,737 A * 11/2000 Henninge A47C 17/40
5/136
- D523,655 S * 6/2006 Giampavolo D6/391
- D523,656 S * 6/2006 Giampavolo D6/391
- D620,724 S * 8/2010 Presnell D6/391
- D624,329 S * 9/2010 Presnell D6/391
- 8,375,490 B2 * 2/2013 Babikian A47D 5/006
5/655
- 2004/0078899 A1* 4/2004 Helmsderfer A47D 5/003
5/655

1 Claim, 11 Drawing Sheets



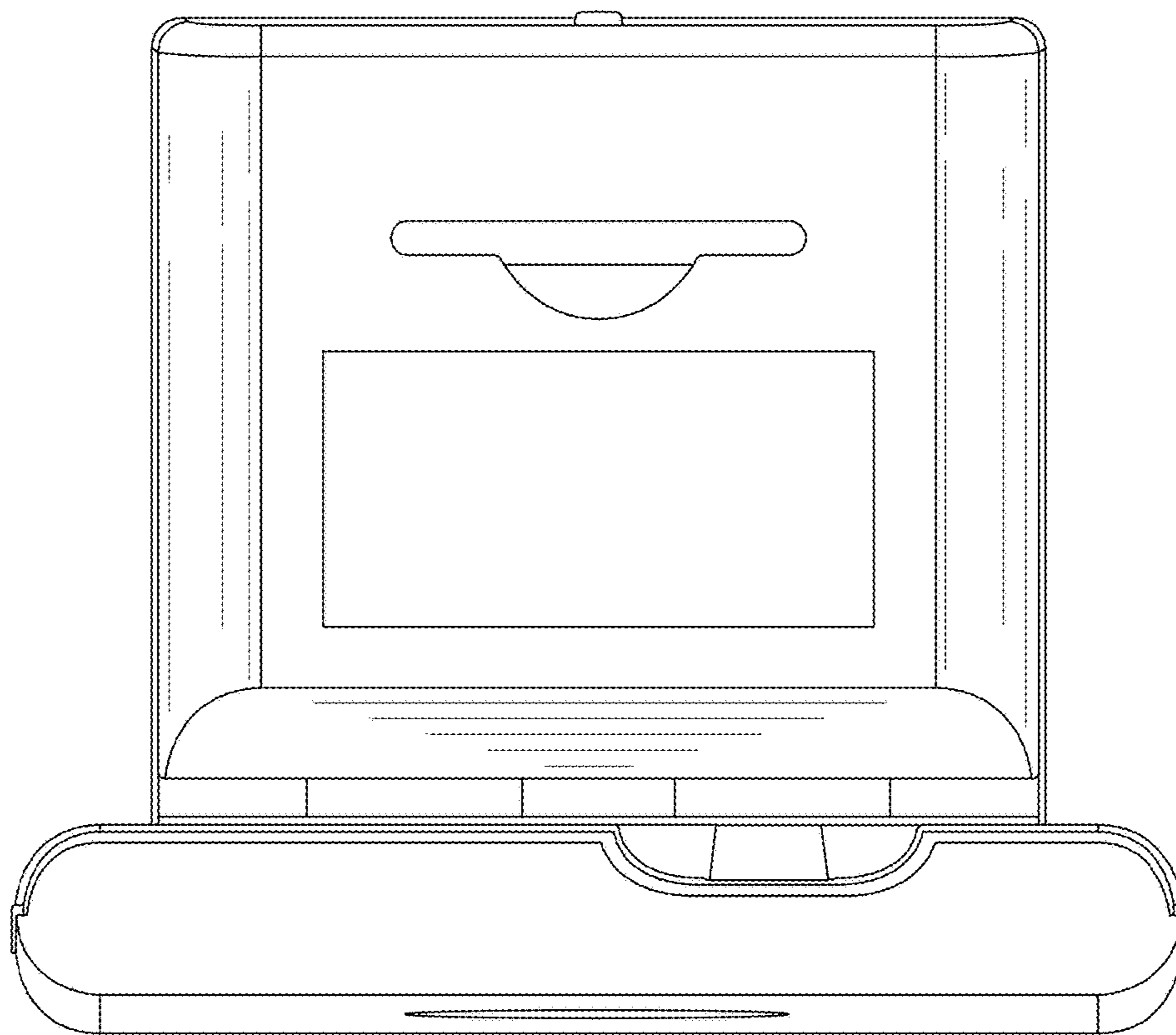


FIG. 1

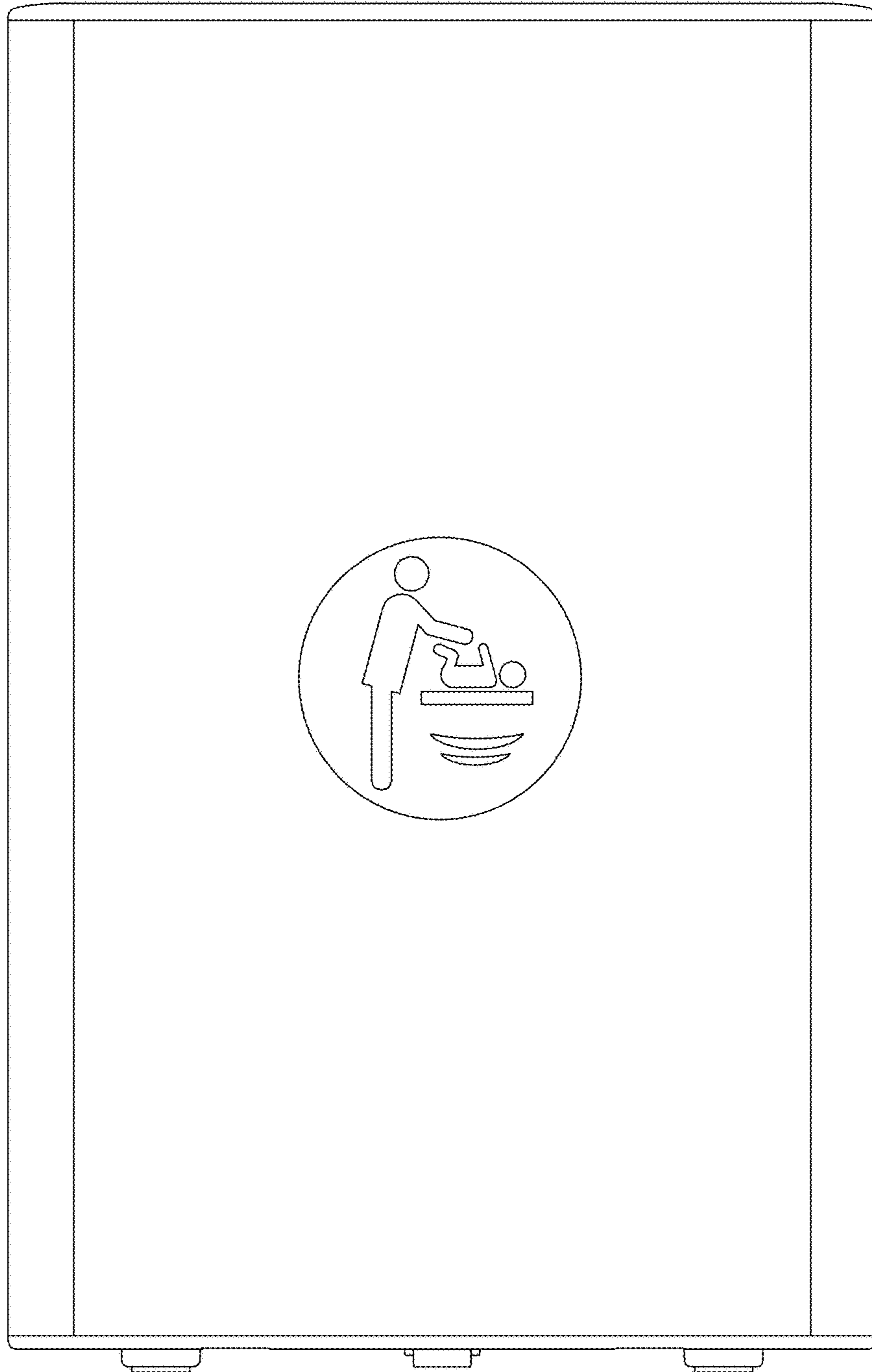


FIG. 2

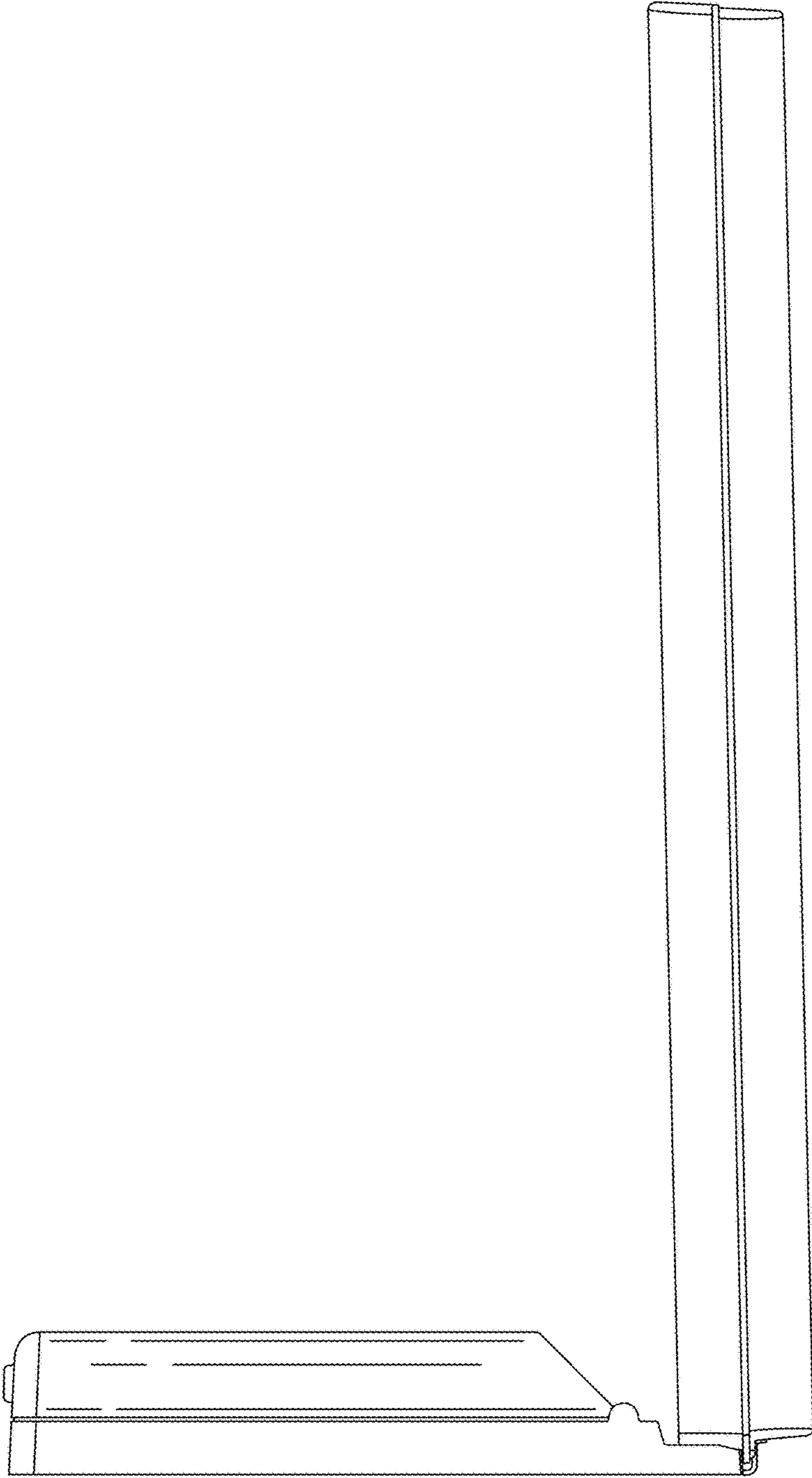


FIG. 3

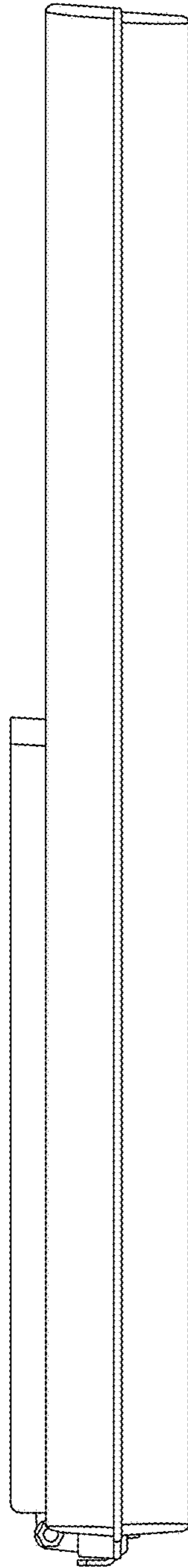


FIG. 4

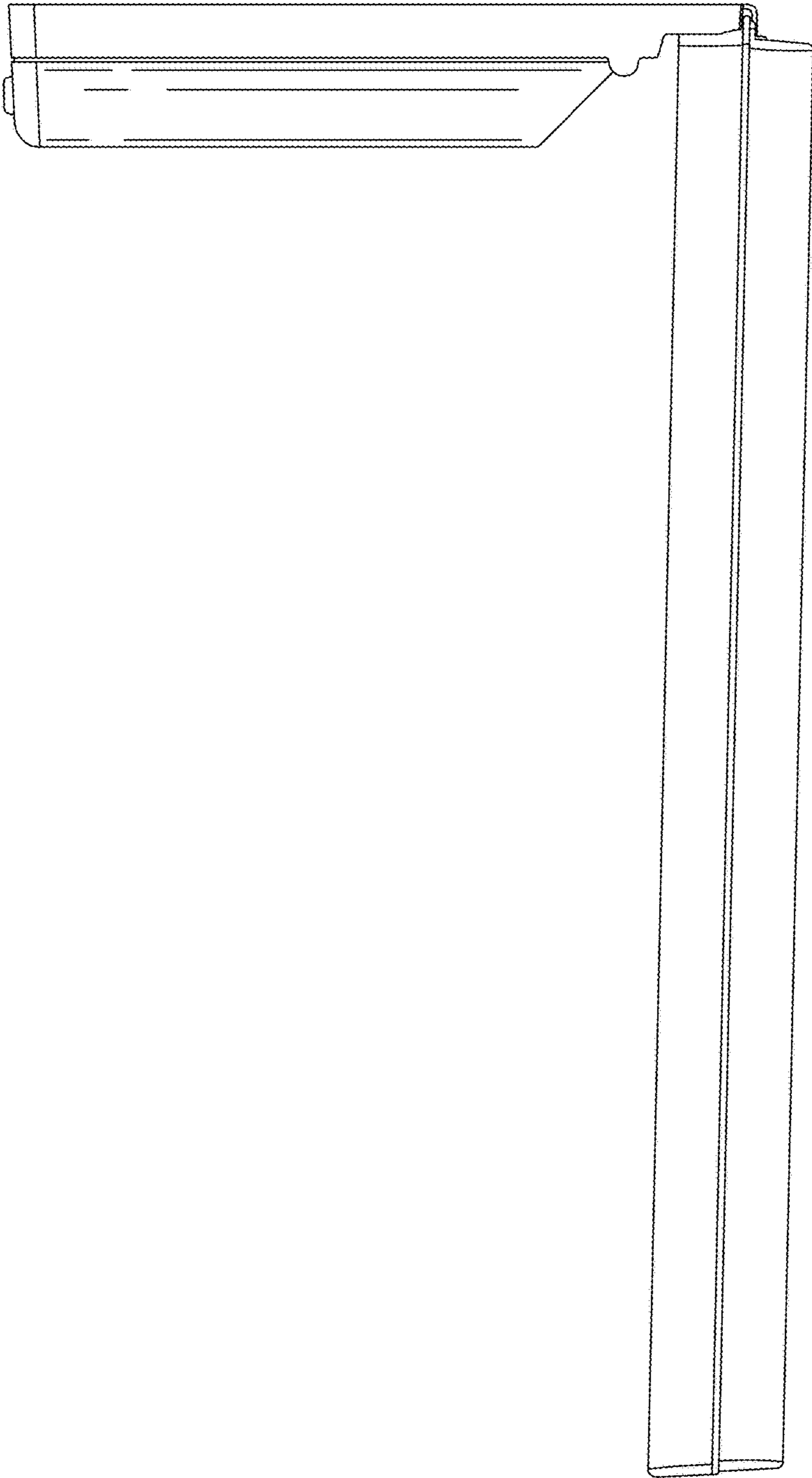


FIG. 5

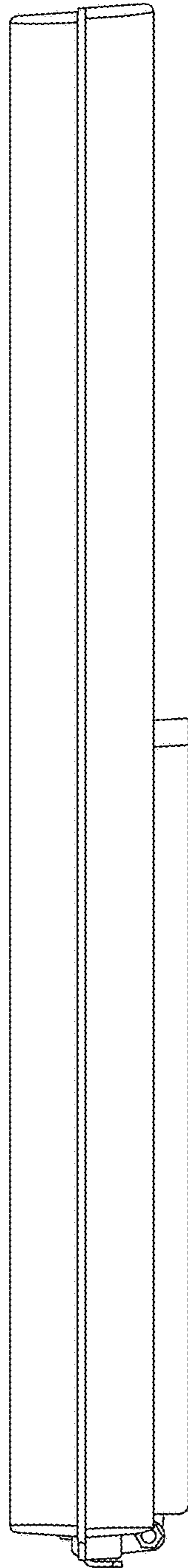


FIG. 6

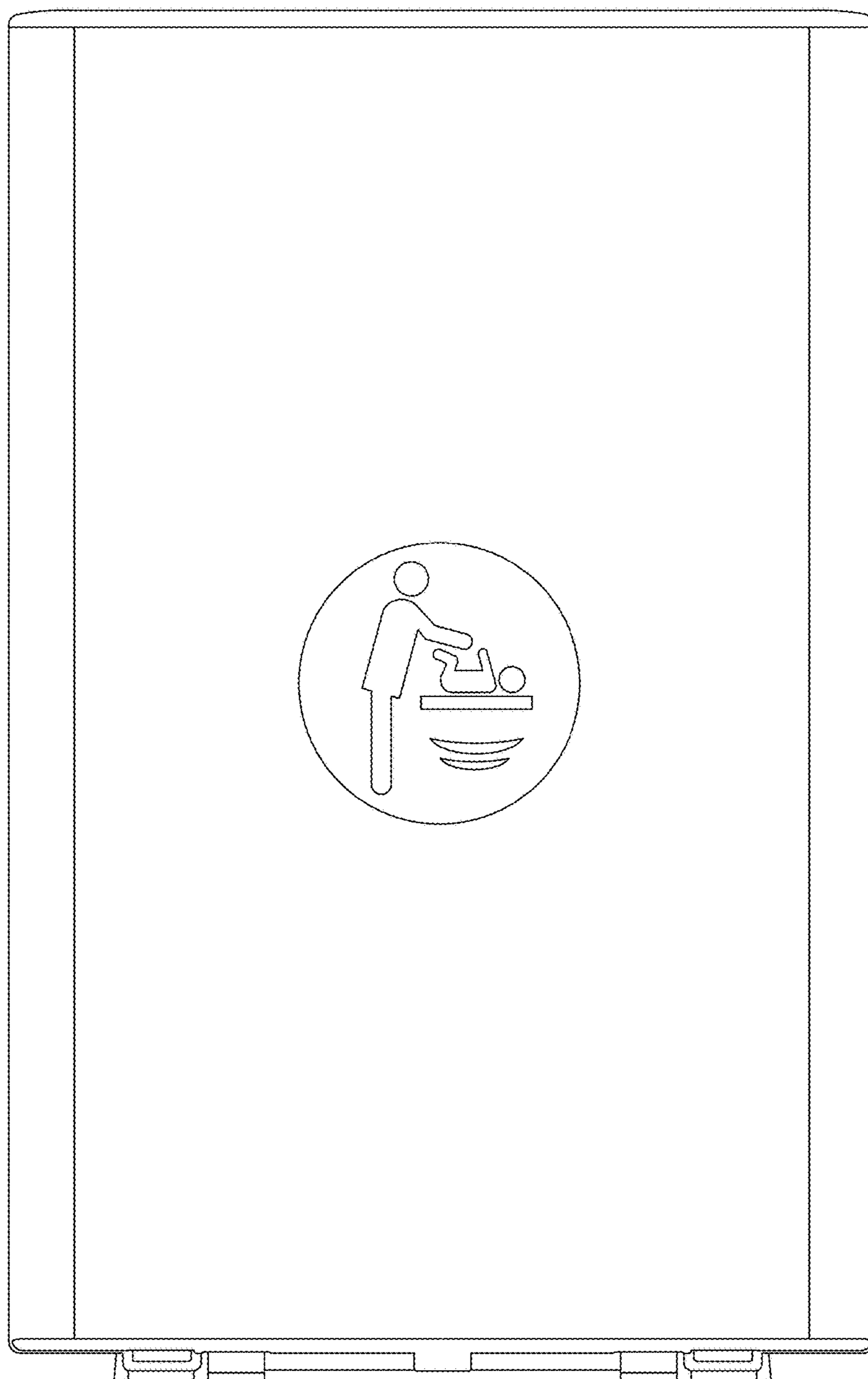


FIG. 7

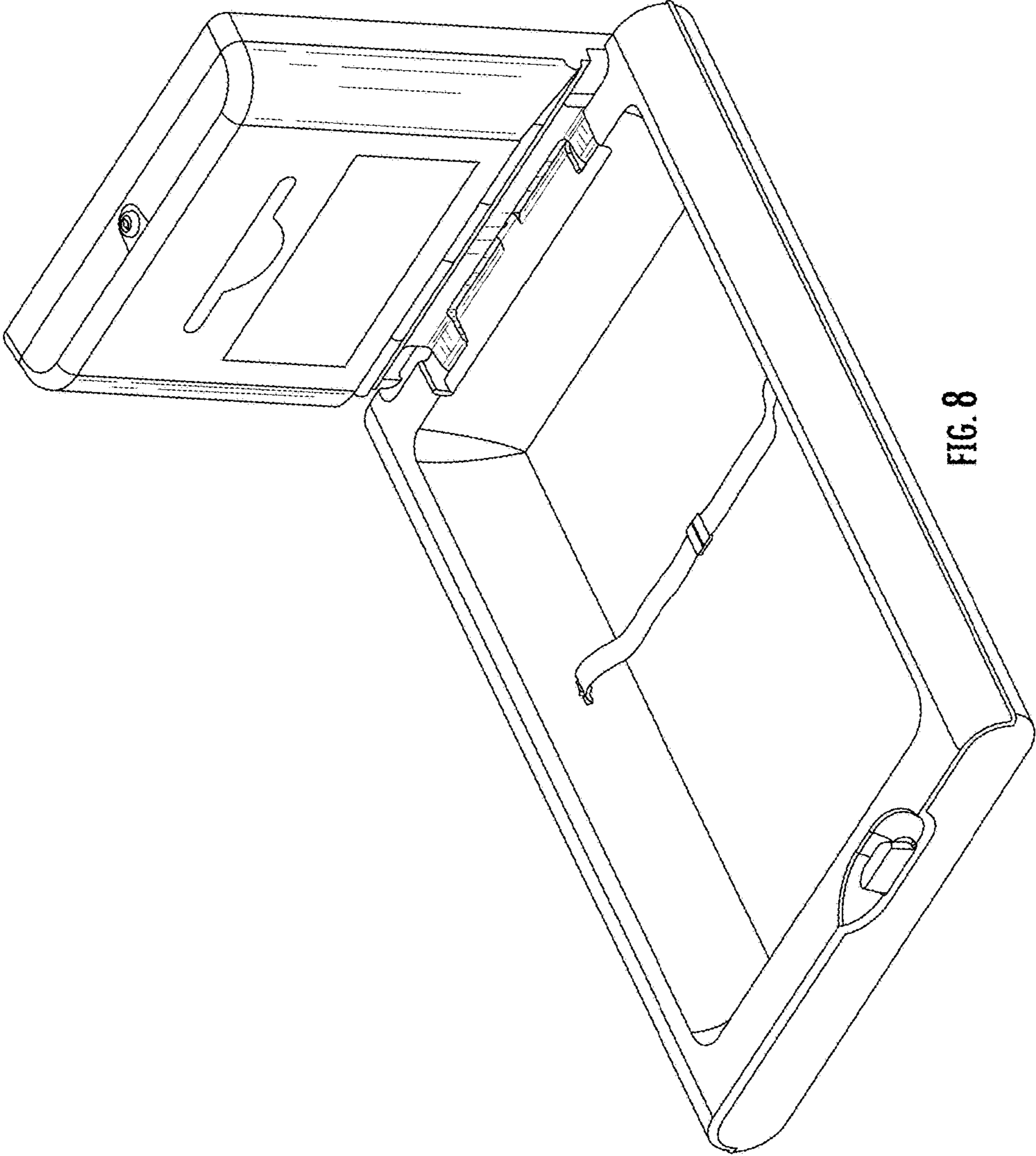


FIG. 8

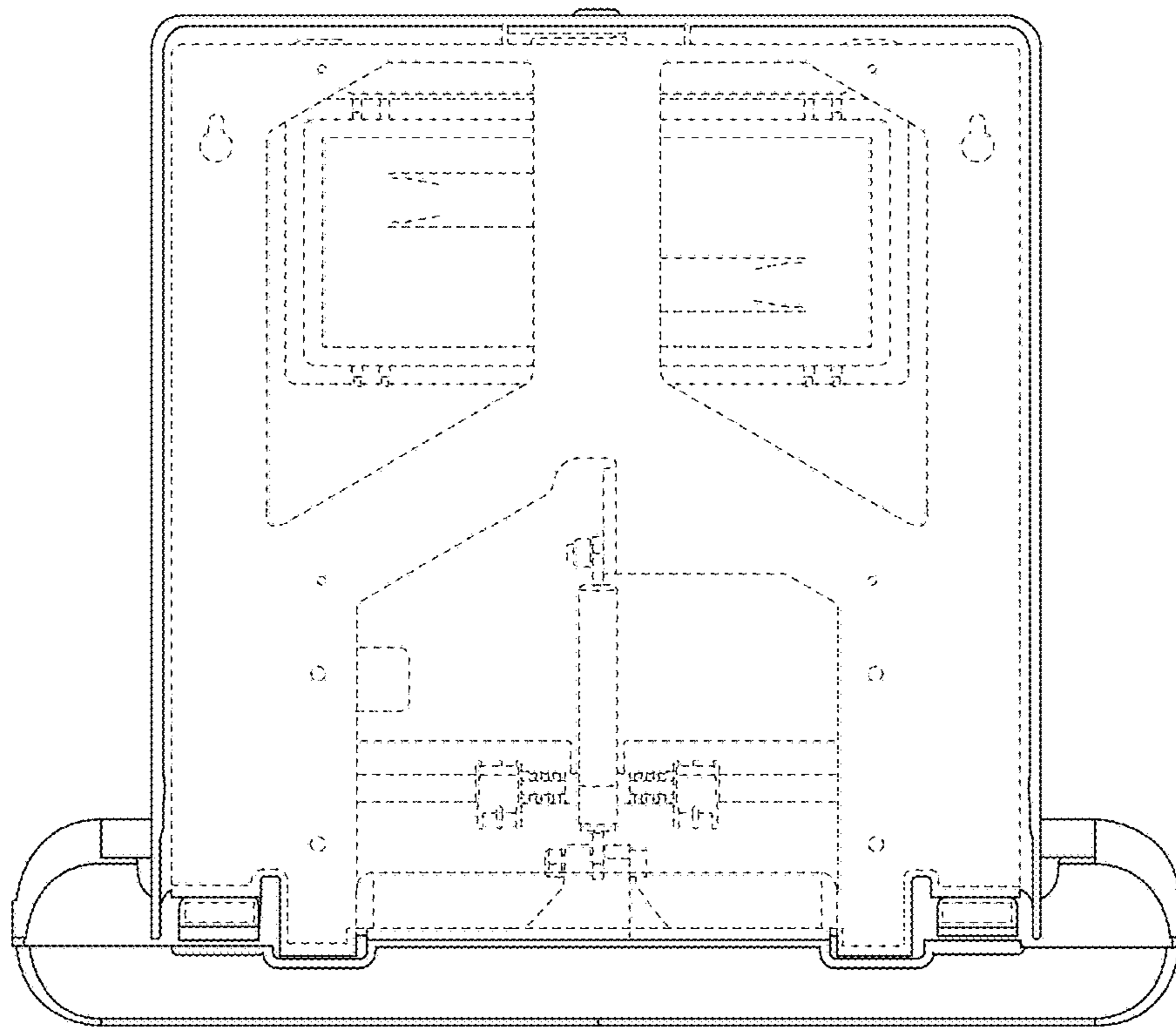


FIG. 9

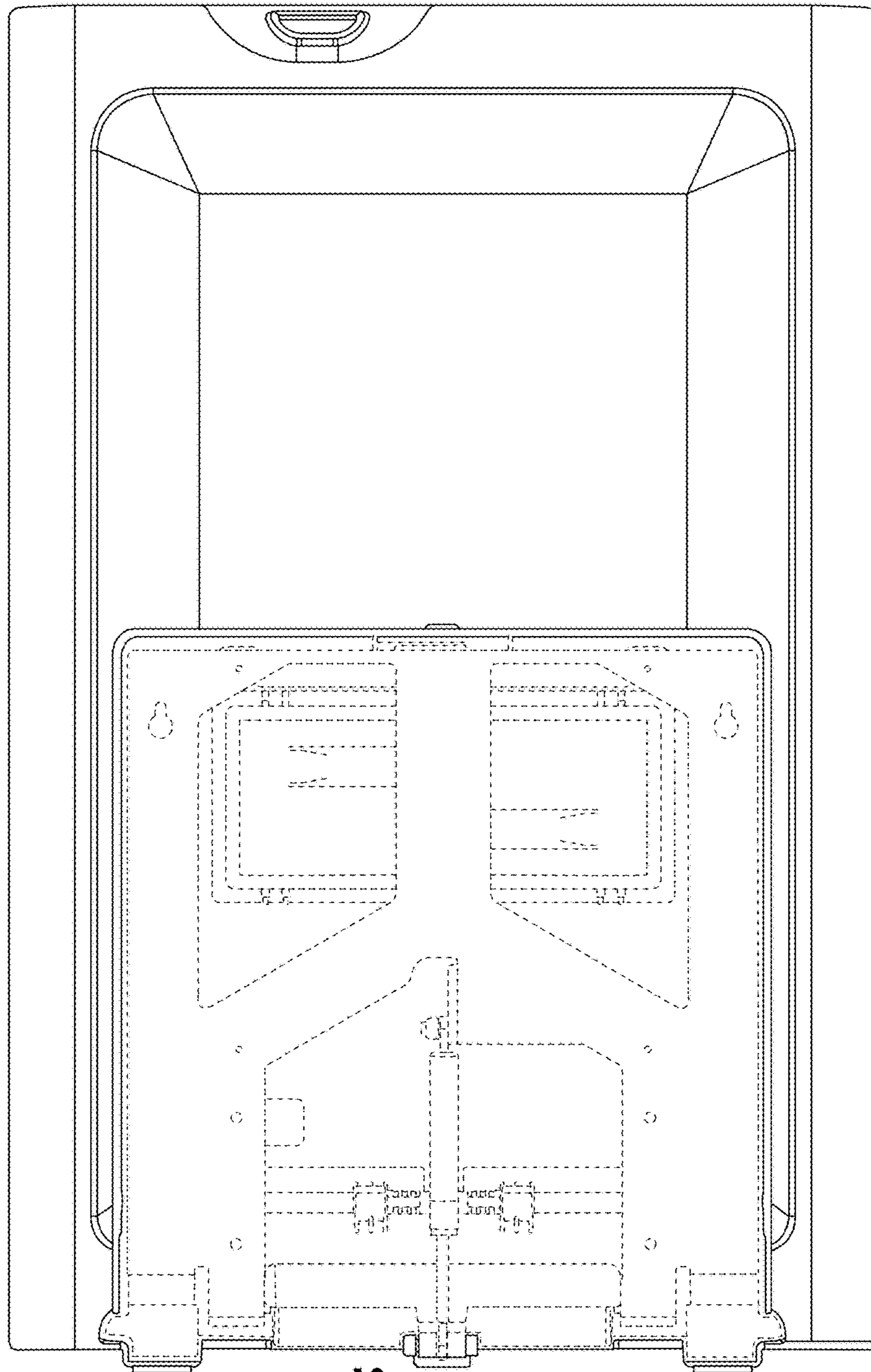


FIG. 10

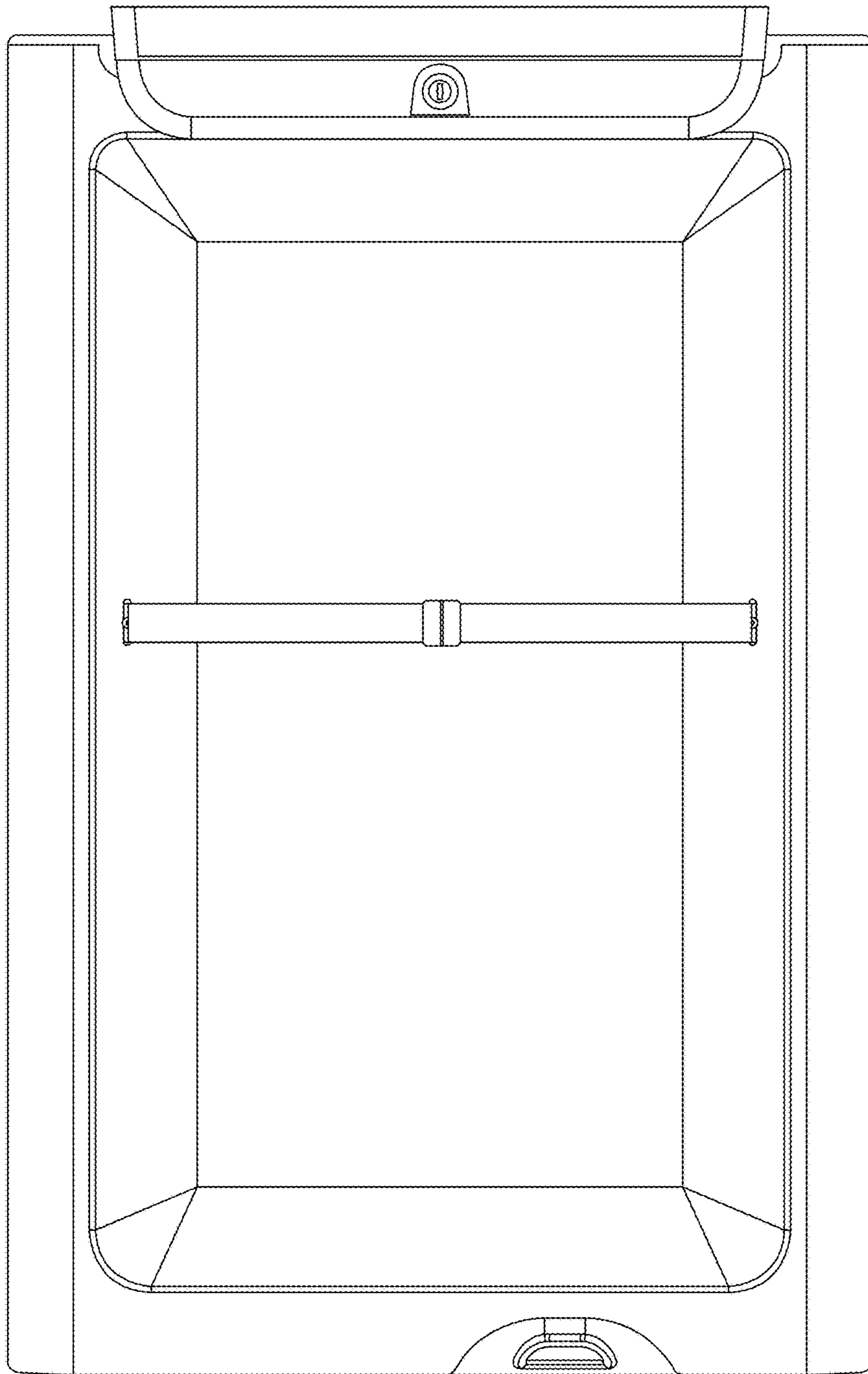


FIG. 11