



US00D841999S

(12) **United States Design Patent**
Velez

(10) **Patent No.:** **US D841,999 S**

(45) **Date of Patent:** **** *Mar. 5, 2019**

(54) **SOFA**

(71) Applicant: **Holly Hunt Enterprises, Inc.**, Chicago, IL (US)

(72) Inventor: **Alberto Velez**, Chicago, IL (US)

(73) Assignee: **Holly Hunt Enterprises, Inc.**, Chicago, IL (US)

(*) Notice: This patent is subject to a terminal disclaimer.

(**) Term: **15 Years**

(21) Appl. No.: **29/574,069**

(22) Filed: **Aug. 11, 2016**

(51) **LOC (11) Cl.** **06-01**

(52) **U.S. Cl.**
USPC **D6/381**

(58) **Field of Classification Search**

USPC D6/334, 335, 336, 360, 361, 367, 368,
D6/371-375, 379-381, 716, 716.1-716.8,
D6/708

CPC A47C 7/00; A47C 7/62; A47C 7/18; A47C
7/54; A47C 4/00; A47C 4/028; A47C
4/28; A47C 3/16; A47C 3/04; A47C 3/12;
A47C 1/02; A47C 1/14

See application file for complete search history.

(56) **References Cited**

U.S. PATENT DOCUMENTS

D167,124 S * 6/1952 Tuttle D6/381
D209,821 S * 1/1968 Melchlor D6/371
D331,329 S * 12/1992 Bennett D6/381
D476,496 S * 7/2003 Nicoletti D6/381

D600,466 S * 9/2009 Cramer D6/381
D676,683 S * 2/2013 Martin D6/381
D681,362 S * 5/2013 Citterio D6/381
D690,954 S * 10/2013 Beucler D6/381
D702,957 S * 4/2014 Natuzzi D6/381
D740,583 S * 10/2015 Nigro D6/375

* cited by examiner

Primary Examiner — Deanna L Pratt

(74) *Attorney, Agent, or Firm* — Blank Rome LLP

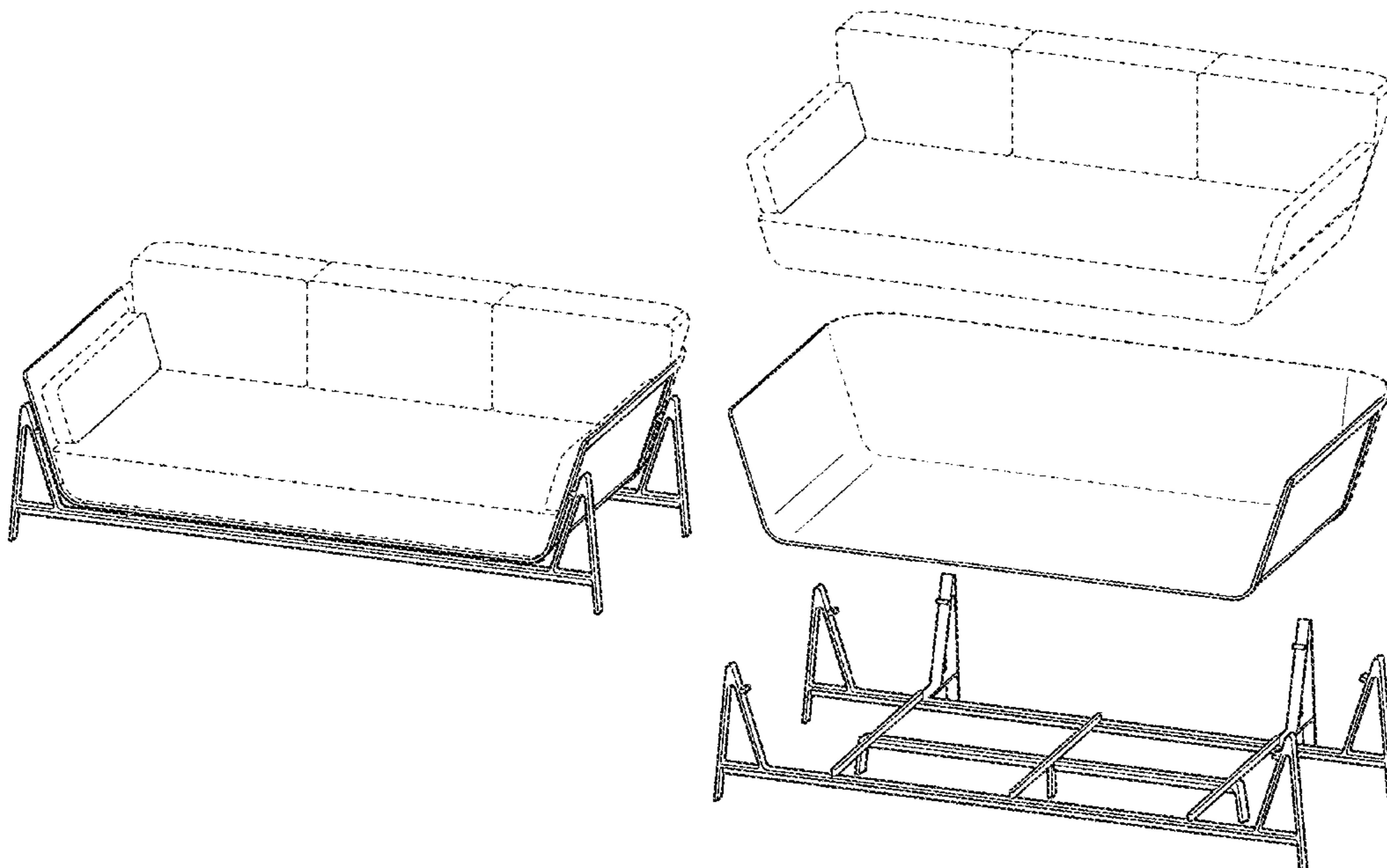
(57) **CLAIM**

The ornamental design for a sofa, as shown and described.

DESCRIPTION

FIG. 1 is a front perspective view of the sofa;
FIG. 2 is an exploded view of the sofa illustrated in FIG. 1;
FIG. 3 is a front view of the sofa illustrated in FIG. 1;
FIG. 4 is a rear view of the sofa illustrated in FIG. 1;
FIG. 5 is a left side view of the sofa illustrated in FIG. 1;
FIG. 6 is a right side view of the sofa illustrated in FIG. 1;
FIG. 7 is a plan view of the sofa illustrated in FIG. 1; and,
FIG. 8 is a bottom view of the sofa illustrated in FIG. 1.
The broken lines in the figures illustrate portions of the sofa that form no part of the claimed design.

1 Claim, 5 Drawing Sheets



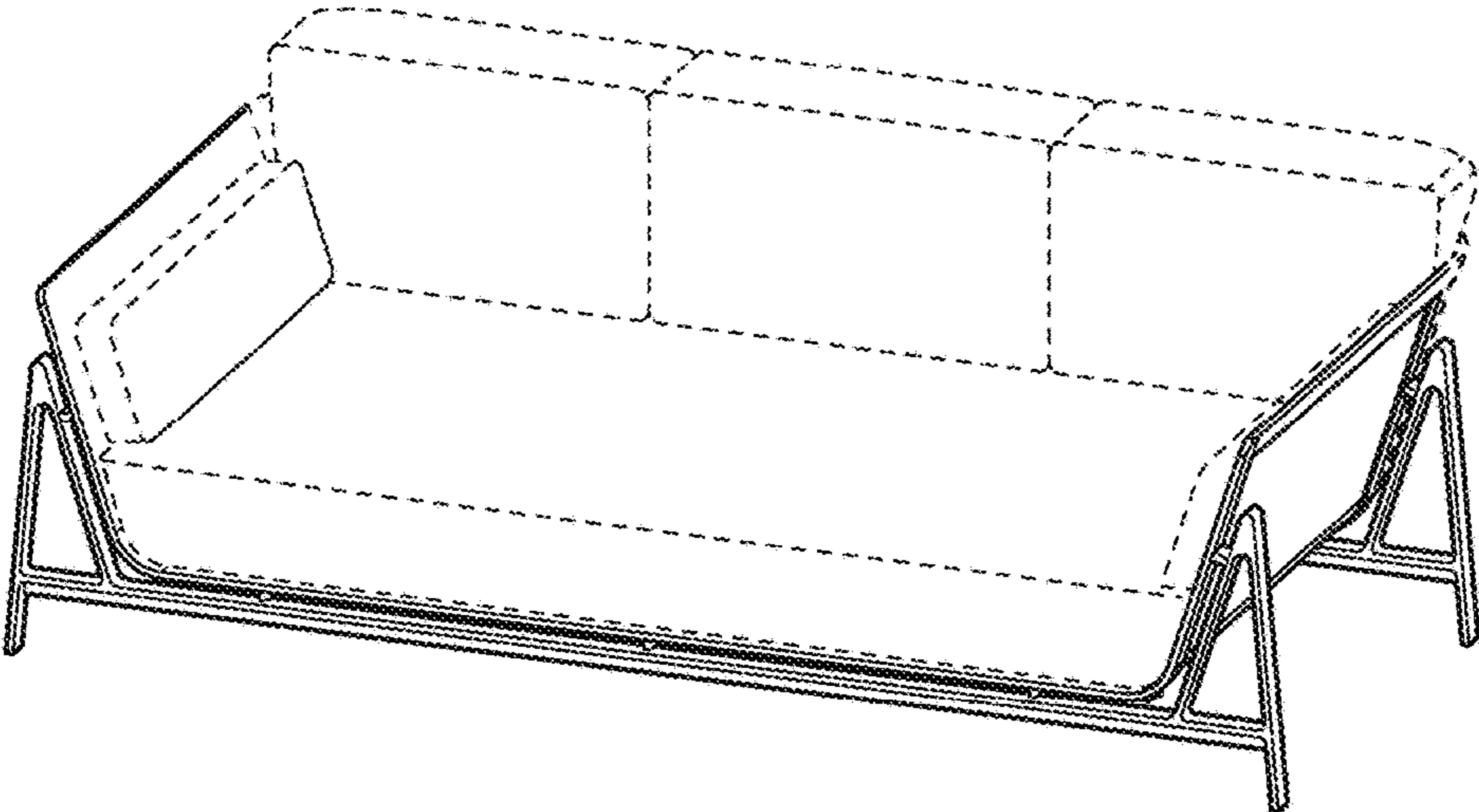


FIG. 1

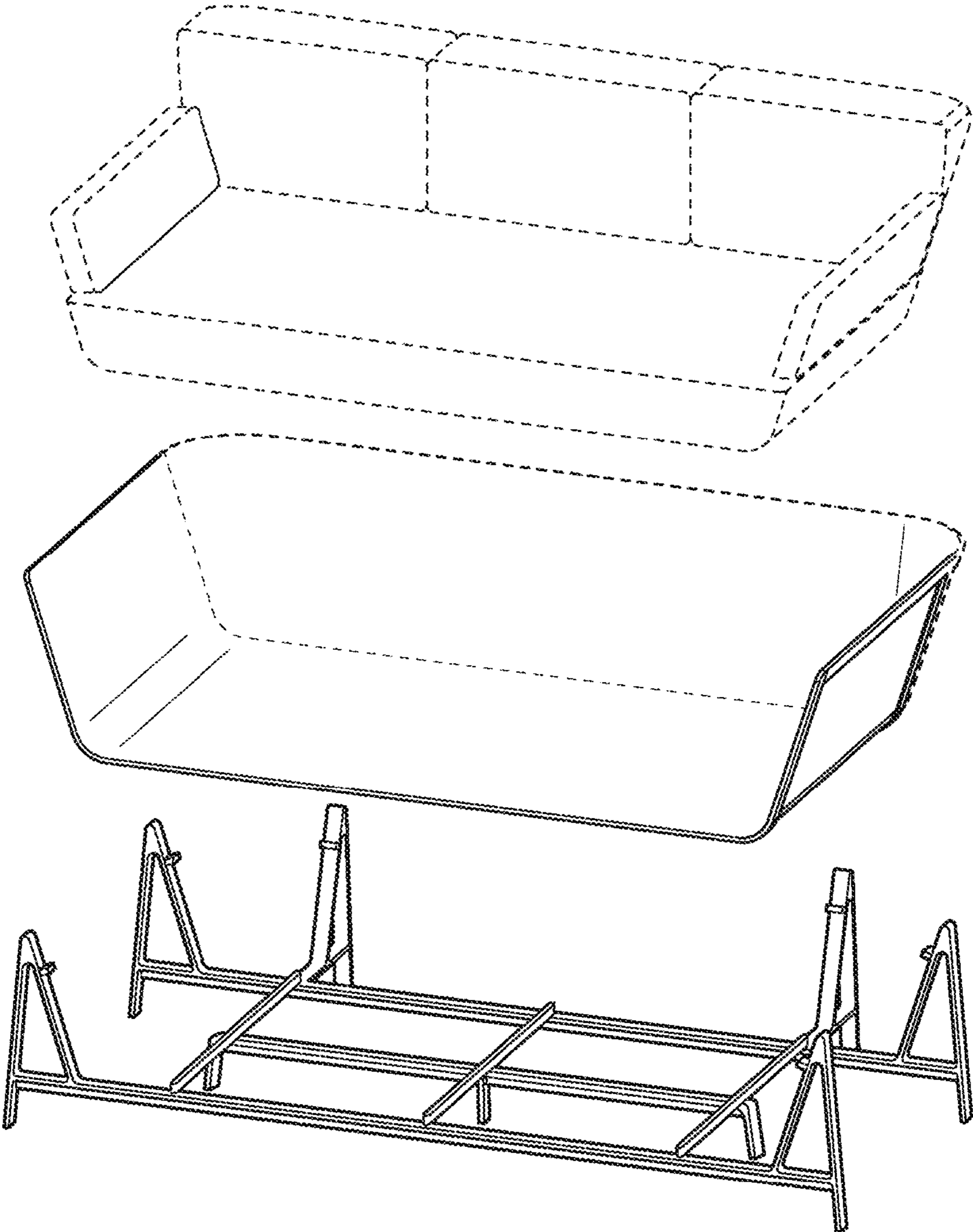


FIG. 2

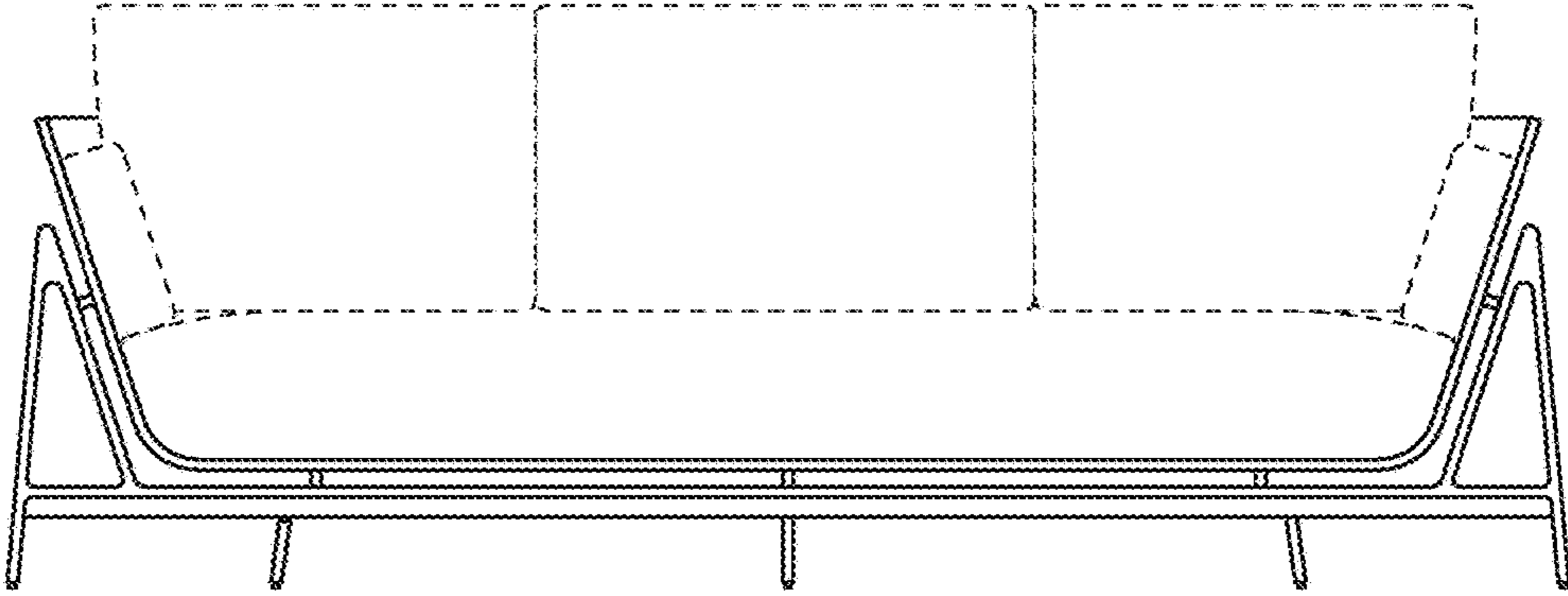


FIG. 3

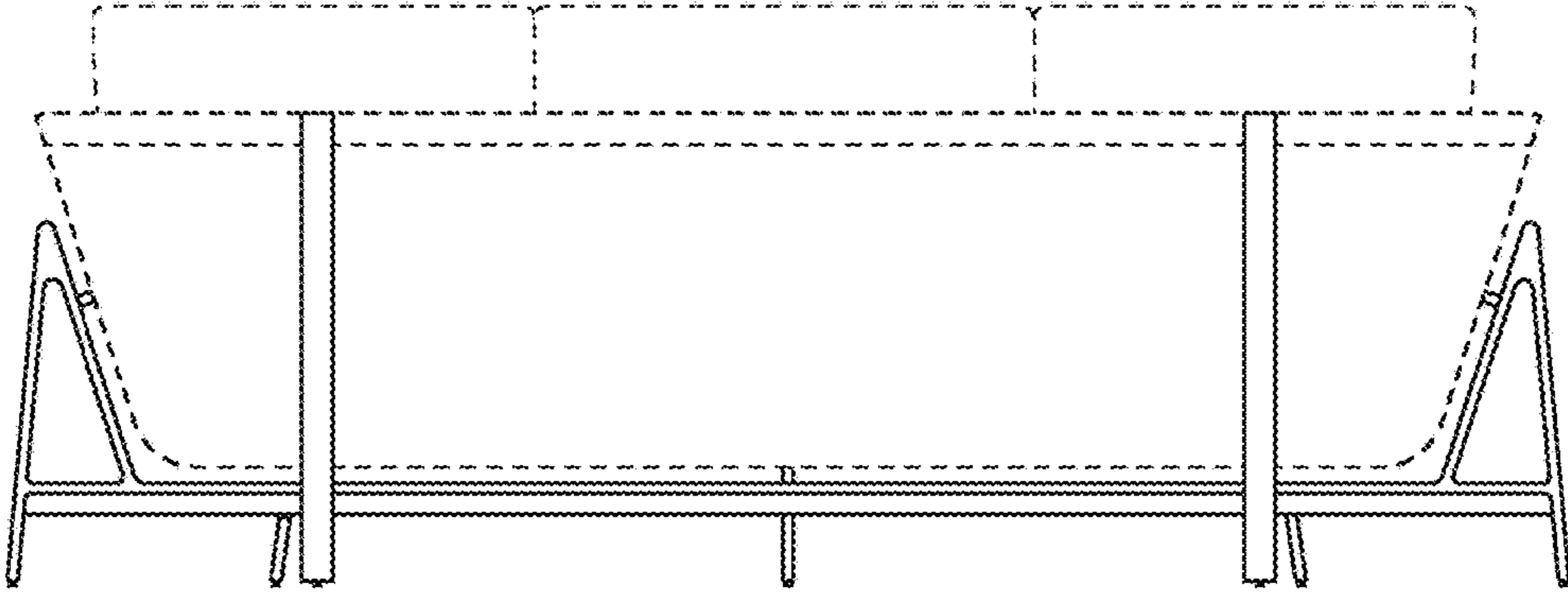


FIG. 4

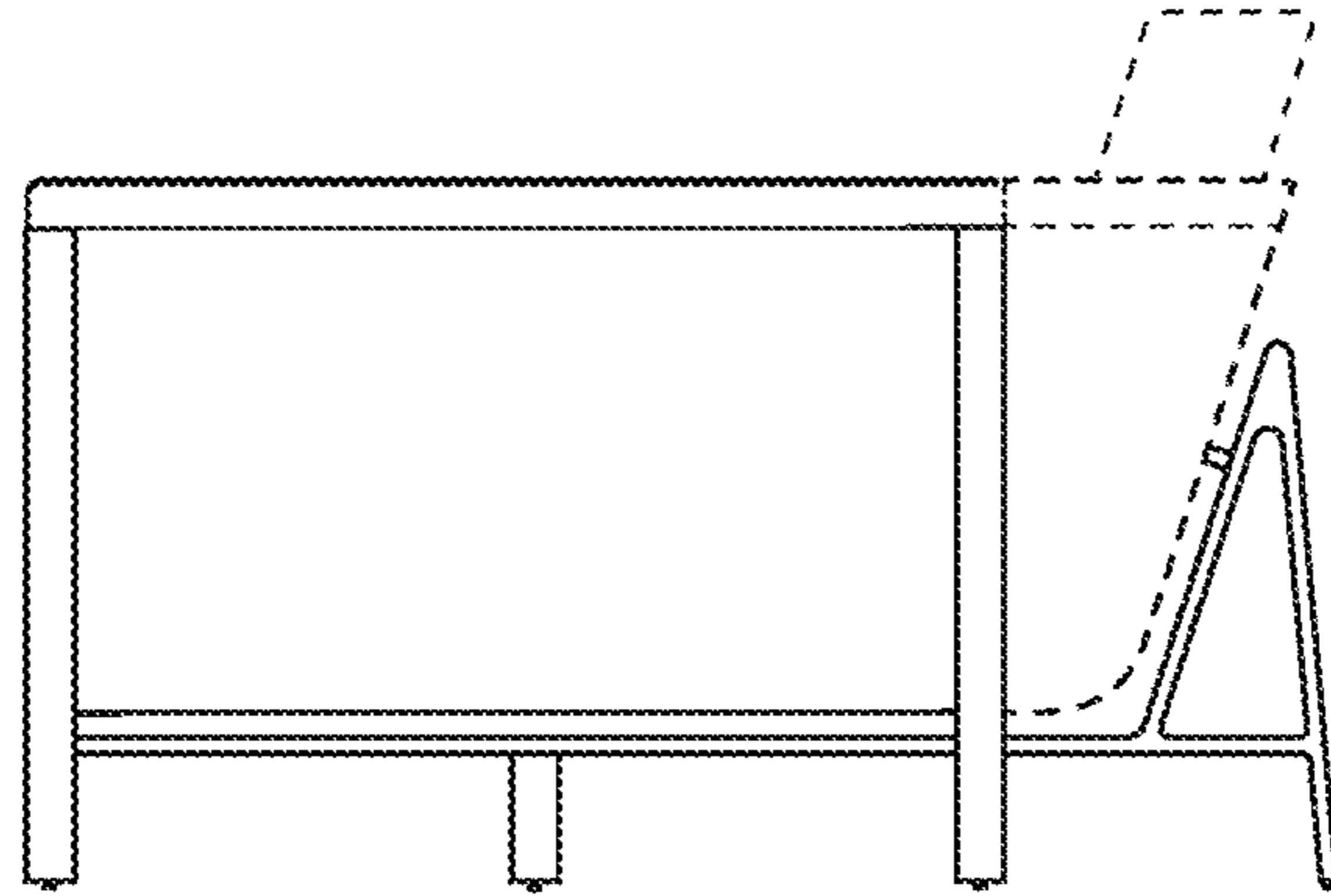


FIG. 5

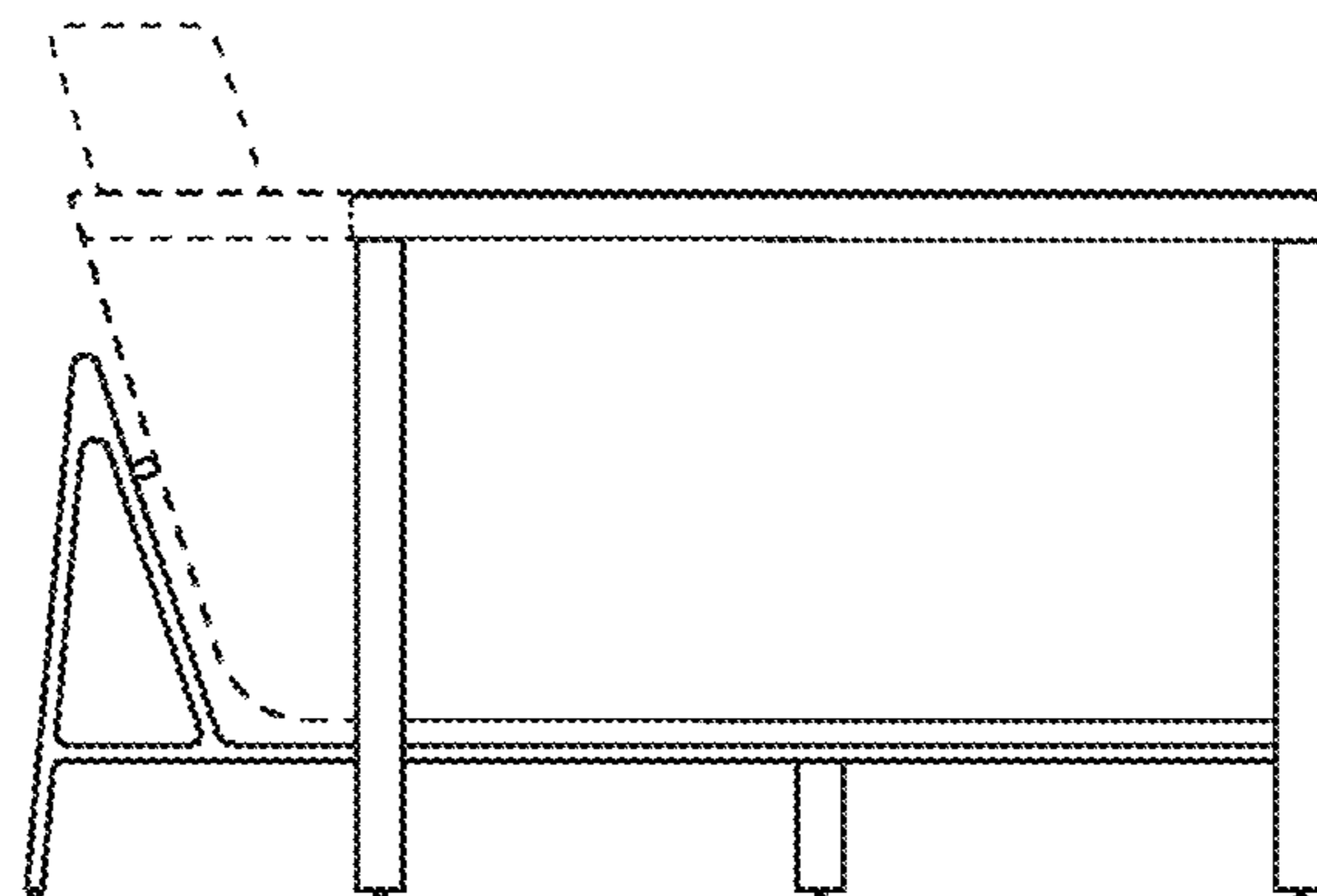


FIG. 6

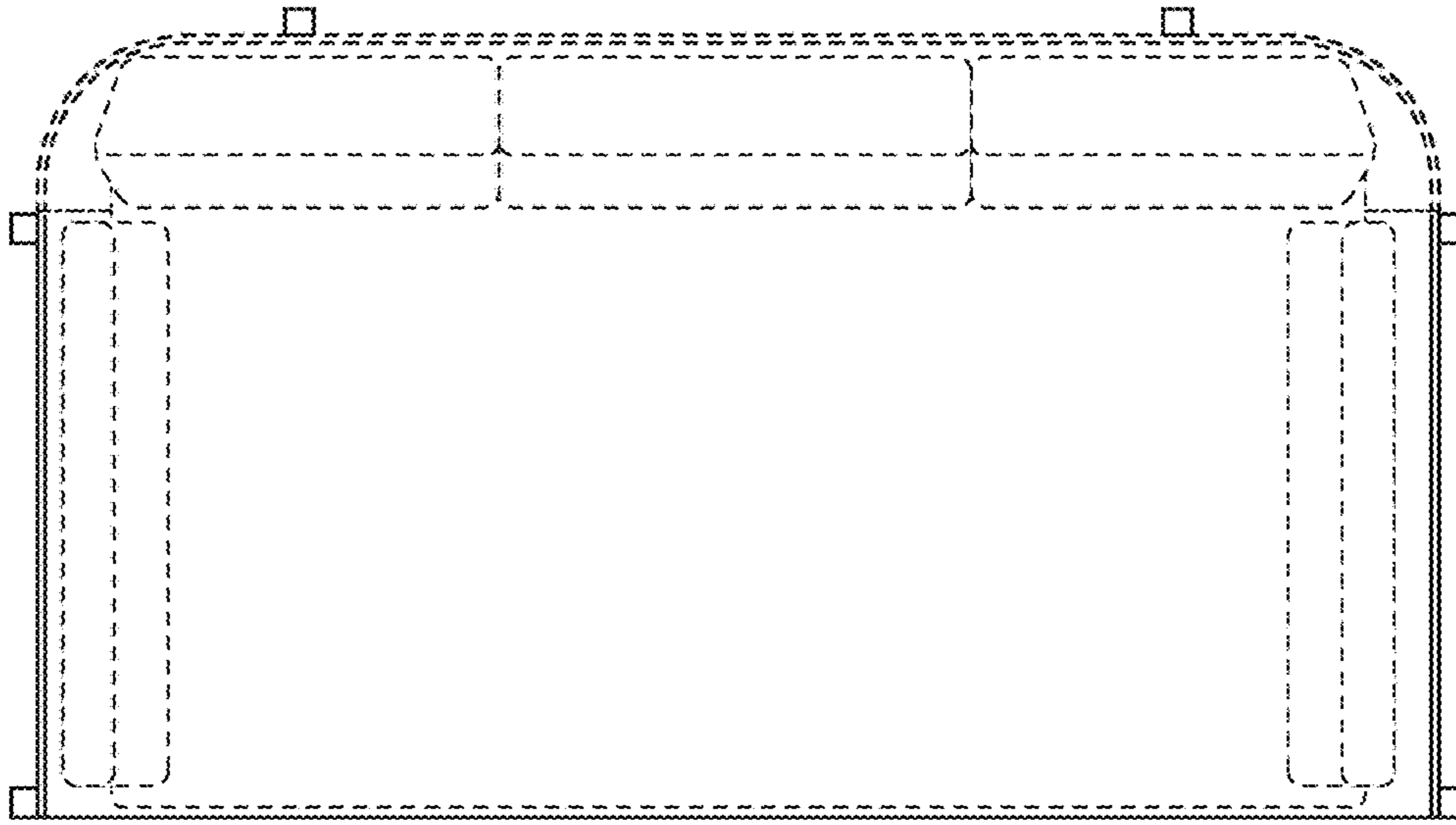


FIG. 7

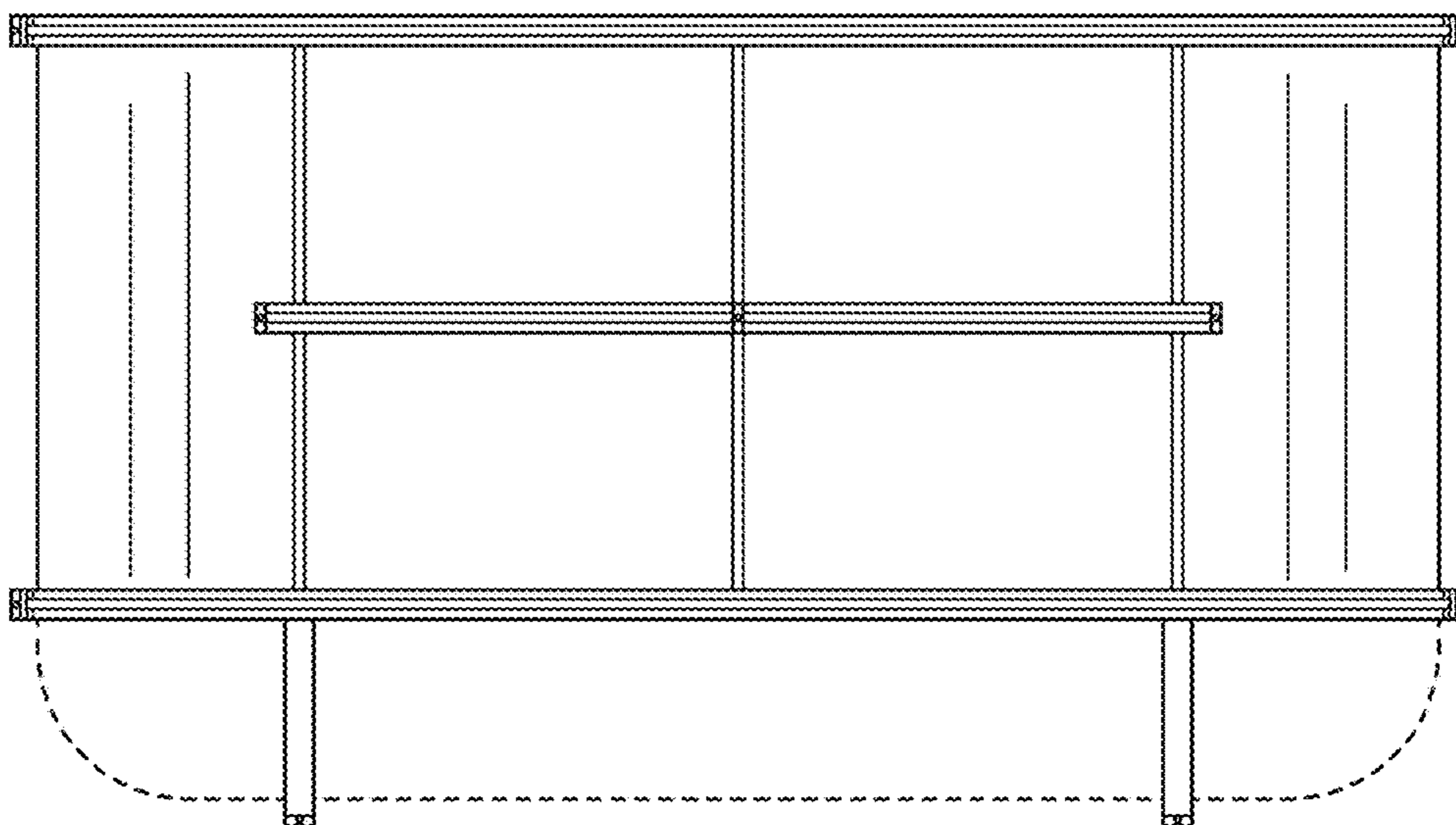


FIG. 8