



US00D841997S

(12) **United States Design Patent**  
**Chen**

(10) **Patent No.:** **US D841,997 S**  
(45) **Date of Patent:** **\*\* Mar. 5, 2019**

(54) **ROTARY CHAIR**  
(71) Applicant: **Yucheng Chen**, Guangdong (CN)  
(72) Inventor: **Yucheng Chen**, Guangdong (CN)  
(\*\*) Term: **15 Years**  
(21) Appl. No.: **29/572,647**  
(22) Filed: **Jul. 29, 2016**

D645,684 S *	9/2011	Chen	.....	D6/366
D658,904 S *	5/2012	Chen	.....	D6/366
D661,506 S *	6/2012	Ou	.....	D6/366
D661,916 S *	6/2012	Chen	.....	D6/366
D673,399 S *	1/2013	Gu	.....	D6/716.4
D698,167 S *	1/2014	Wan	.....	D6/366
D708,883 S *	7/2014	Tsai	.....	D6/716.4
D708,884 S *	7/2014	Hsuan-Chin	.....	D6/716.4
D755,532 S *	5/2016	Su	.....	D6/366
D780,499 S *	3/2017	Tsai	.....	D6/366
D793,142 S *	8/2017	Tsai	.....	D6/716.4

\* cited by examiner

(30) **Foreign Application Priority Data**

Jan. 29, 2016 (CN) ..... 2016 3 0034111  
(51) **LOC (11) Cl.** ..... **06-01**  
(52) **U.S. Cl.**  
USPC ..... **D6/366**  
(58) **Field of Classification Search**  
USPC ..... D6/334-336, 364, 365, 366, 374, 379,  
D6/380, 716, 716.1, 716.2, 716.4  
CPC .. A47C 7/004; A47C 7/18; A47C 7/38; A47C  
7/022; A47C 7/40; A47C 7/405; A47C  
7/54; B60N 2/66  
See application file for complete search history.

*Primary Examiner* — Mimosa De

(57) **CLAIM**

The ornamental design for a rotary chair, as shown and described.

**DESCRIPTION**

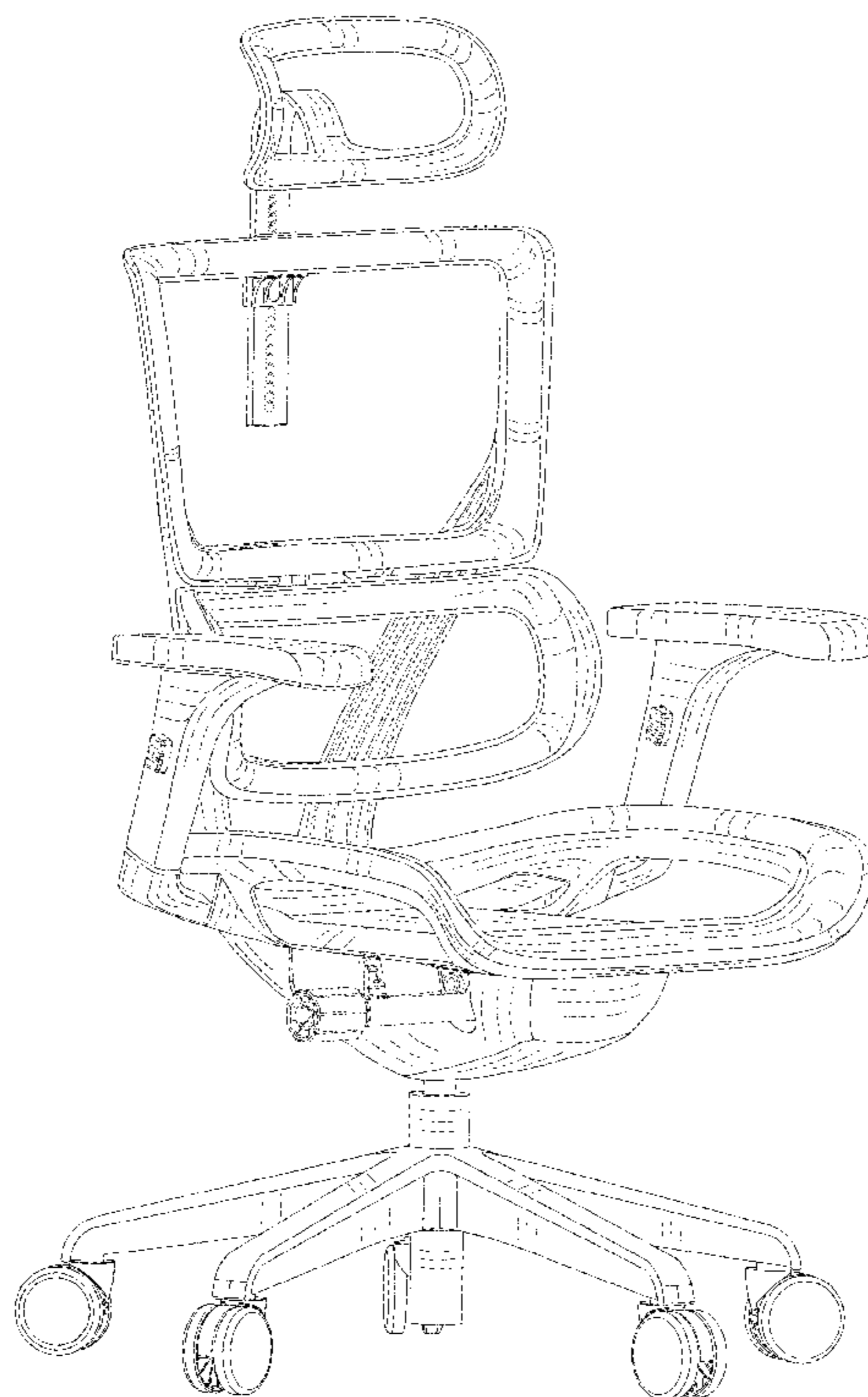
FIG. 1 is a front elevational view of a rotary chair showing my new design;  
FIG. 2 is a rear elevational view thereof;  
FIG. 3 is a bottom plan view thereof;  
FIG. 4 is a top plan view thereof;  
FIG. 5 is a left side view thereof;  
FIG. 6 is a right side view thereof; and,  
FIG. 7 is a perspective view thereof.  
The broken lines in the drawings illustrate portions of the rotary chair which form no parts of the claimed design.

(56) **References Cited**

**U.S. PATENT DOCUMENTS**

D501,333 S *	2/2005	Piretti	.....	D6/366
D510,671 S *	10/2005	Wu	.....	D6/366
D585,205 S *	1/2009	Wen	.....	D6/366
D641,572 S *	7/2011	Tsai	.....	D6/716.4

**1 Claim, 7 Drawing Sheets**



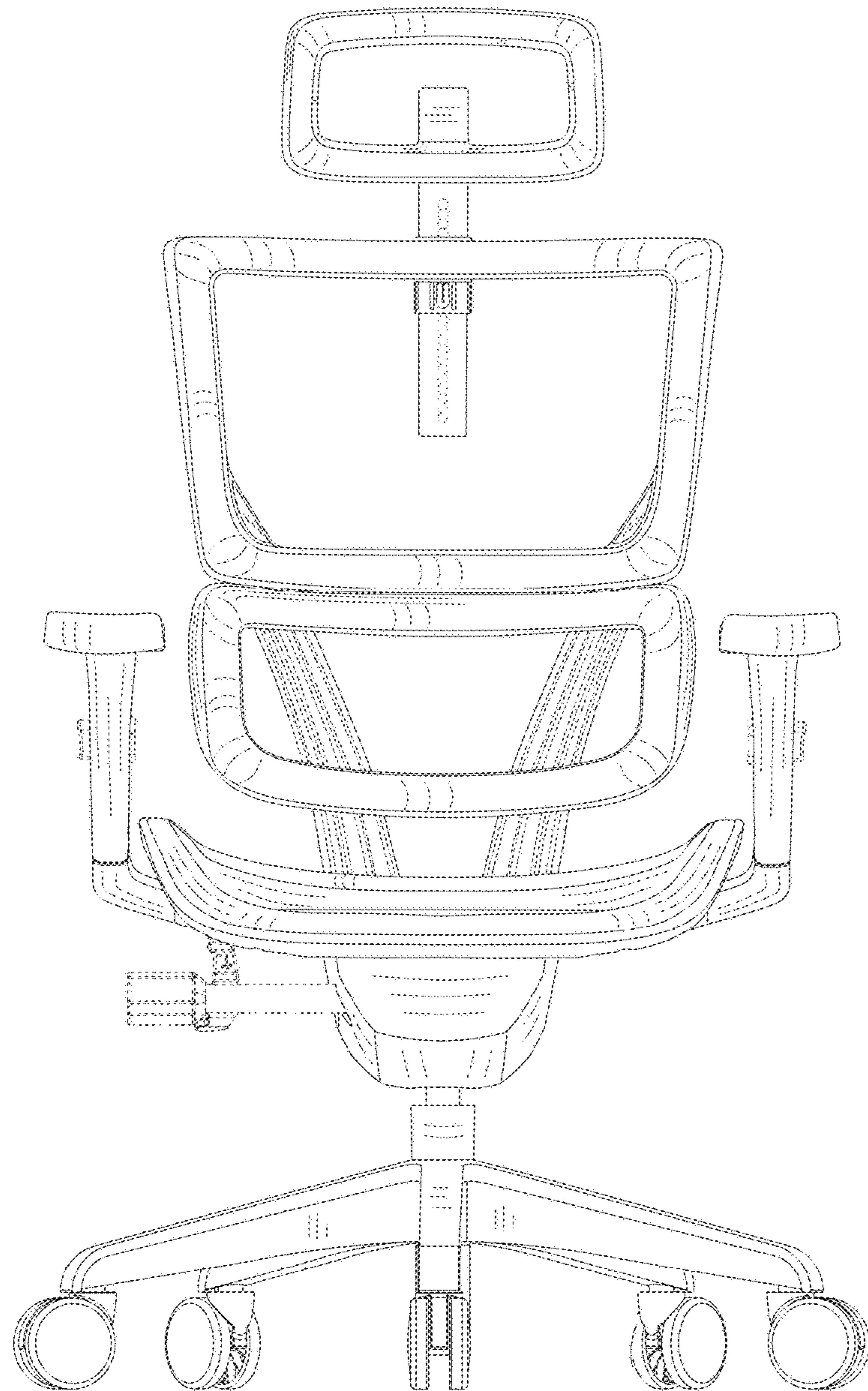


Fig. 1

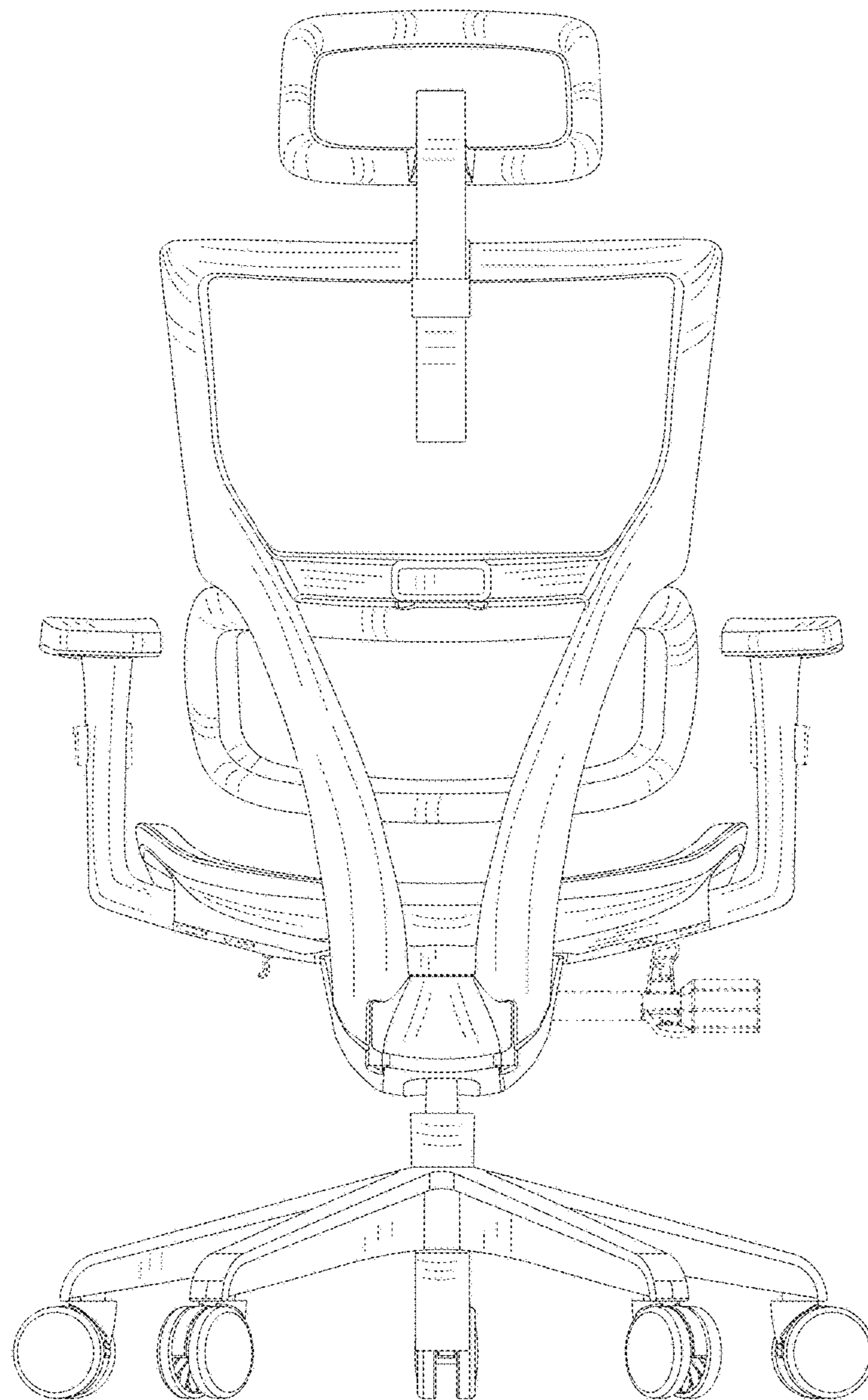


Fig. 2

Replacement Sheet

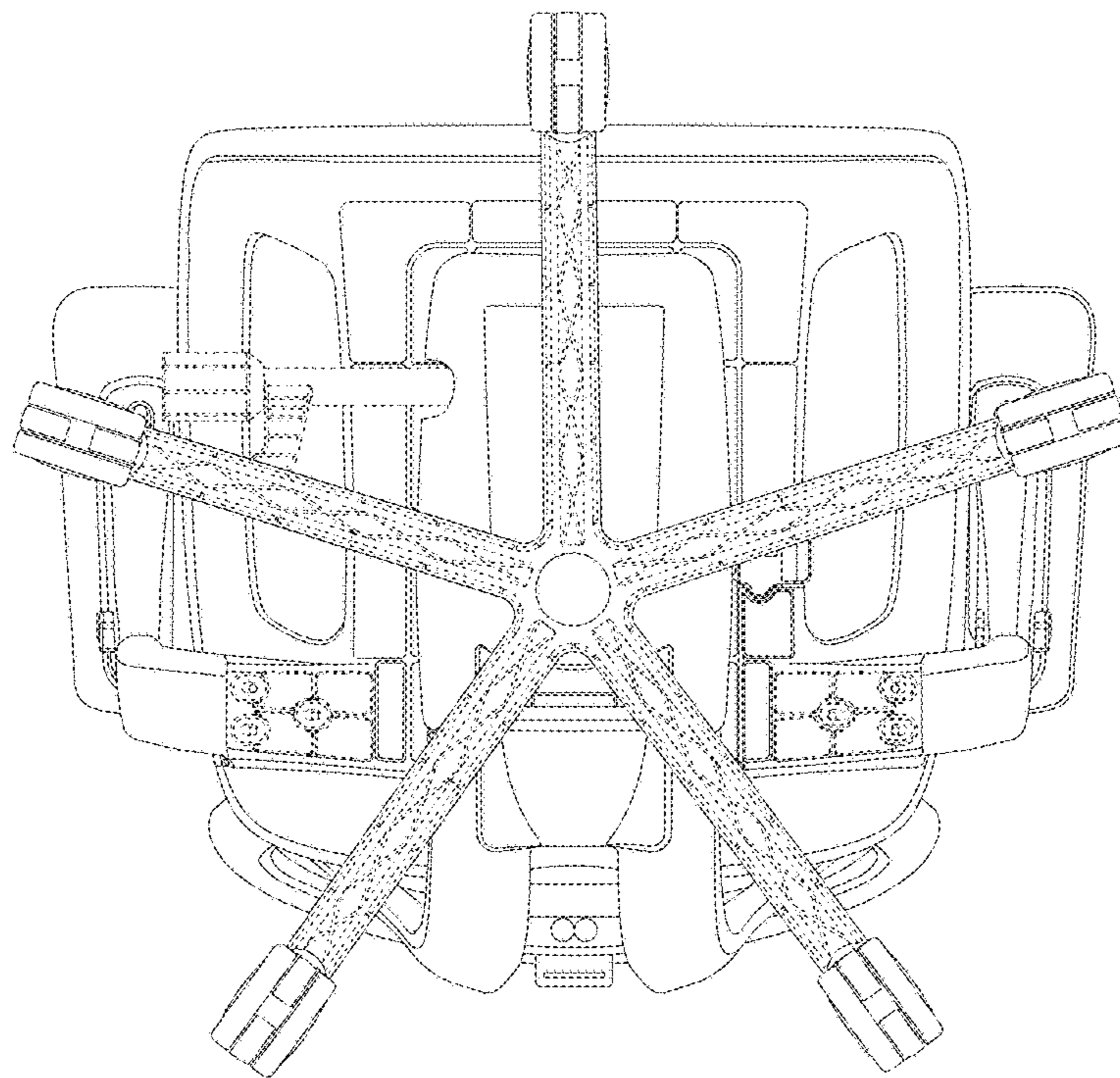


Fig. 3

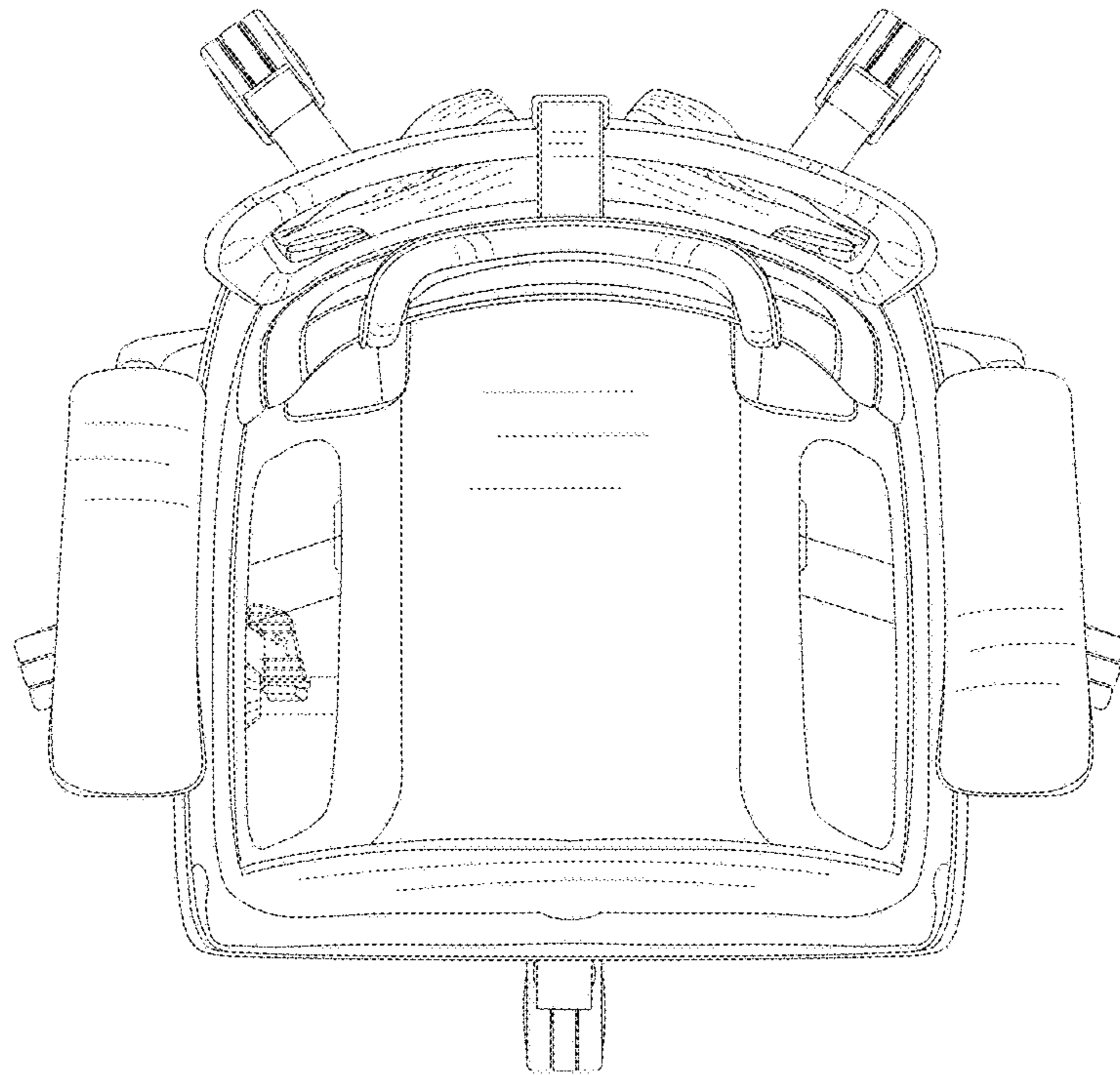


Fig. 4

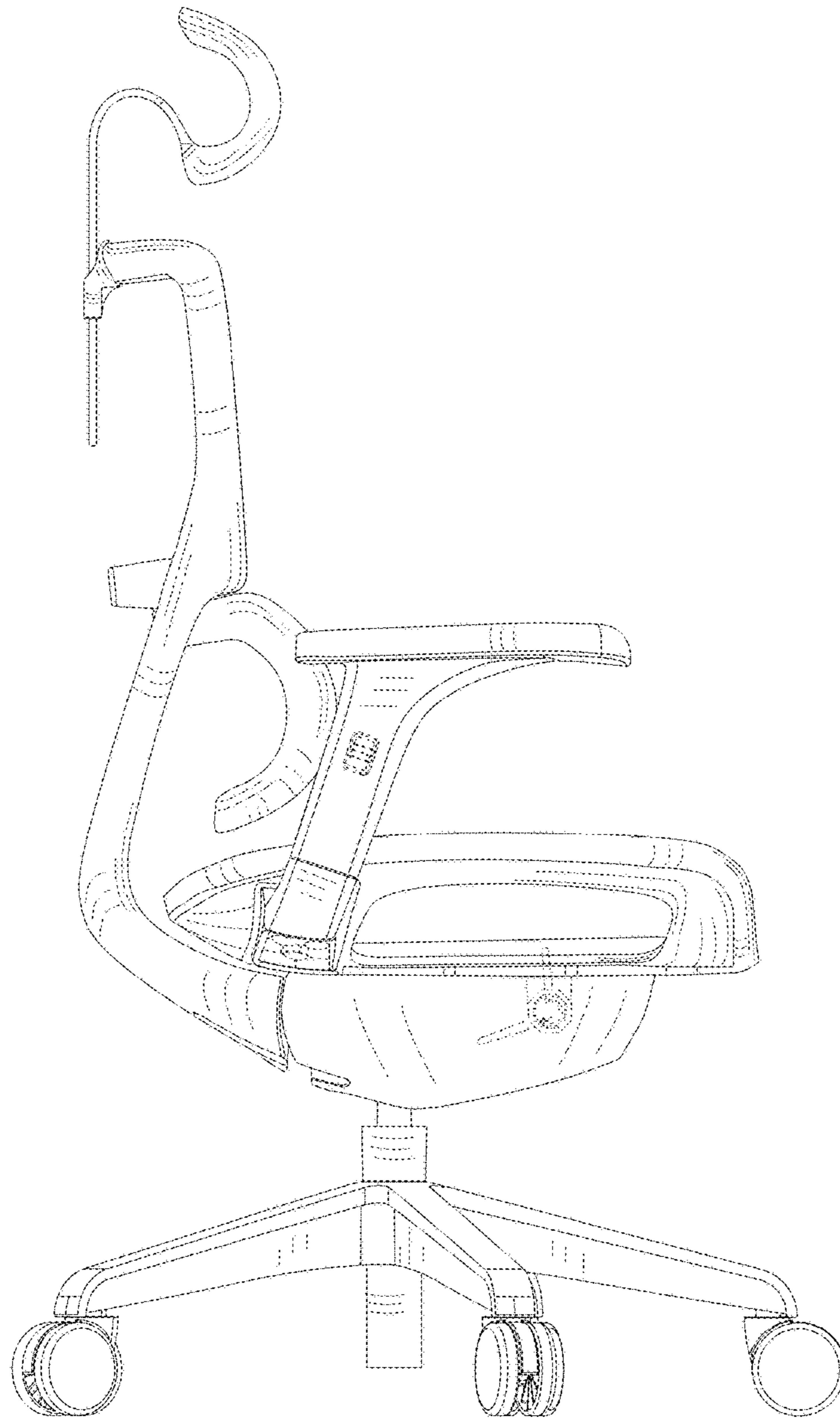


Fig. 5

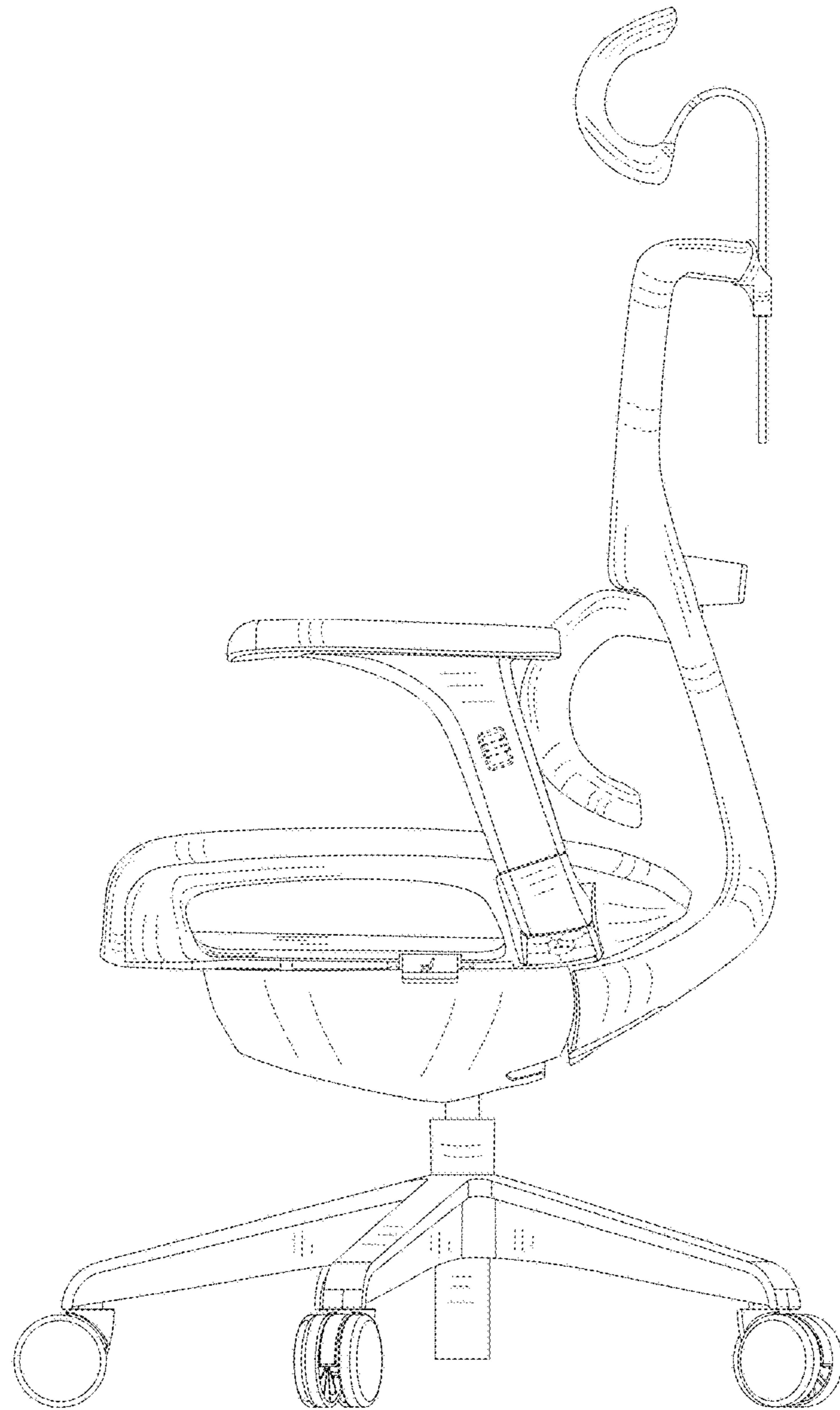


Fig. 6

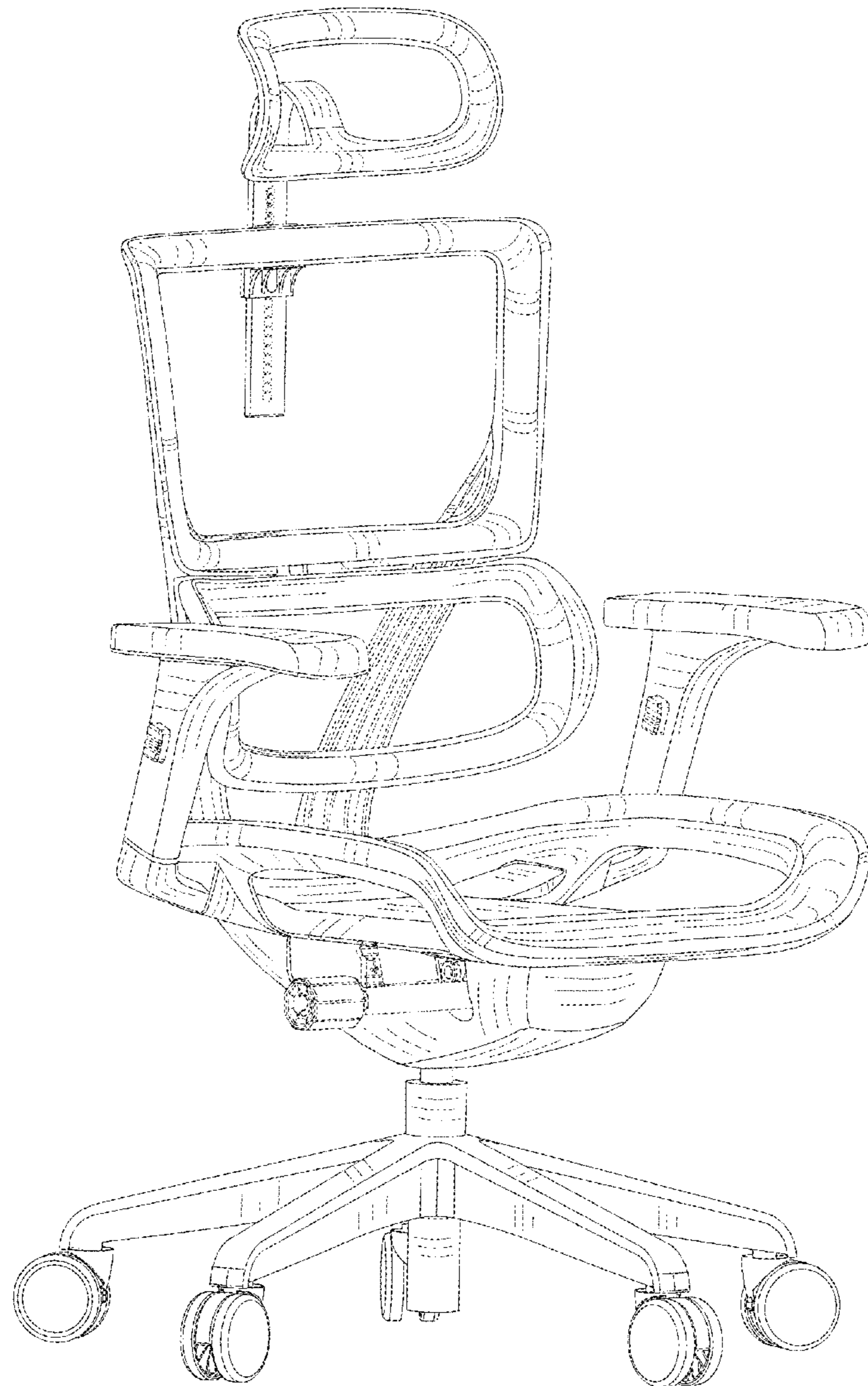


Fig. 7