



US00D841996S

(12) **United States Design Patent** (10) **Patent No.:** **US D841,996 S**
Barber et al. (45) **Date of Patent:** **** Mar. 5, 2019**

(54) **LOUNGE CHAIR**
(71) Applicant: **DEDON, GmbH**, Lüneburg (DE)
(72) Inventors: **Edward Barber**, London (GB); **Jay Osgerby**, London (GB)
(73) Assignee: **DEDON, GmbH**, Lüneburg (DE)
(**) Term: **15 Years**
(21) Appl. No.: **29/599,110**
(22) Filed: **Mar. 31, 2017**
(51) **LOC (11) Cl.** **06-01**
(52) **U.S. Cl.**
USPC **D6/361**
(58) **Field of Classification Search**
USPC D6/334, 360, 361, 362, 364, 368, 369,
D6/371, 377
CPC A47C 1/026; A47C 1/143; A47C 1/146;
A47C 4/02; A47C 5/10; A47C 5/125;
A47C 15/006; A47C 31/11
See application file for complete search history.

7,631,940 B1 * 12/2009 Jager A47C 1/026
248/188.5
D646,067 S * 10/2011 Frinier D6/361
D650,602 S * 12/2011 Massaud D6/361
8,123,291 B1 * 2/2012 Hernandez A47C 7/744
297/180.15
D657,969 S * 4/2012 Nguyen D6/361
D668,071 S * 10/2012 Pedersen D6/361
D707,049 S * 6/2014 Asner D6/361
D707,458 S * 6/2014 Doyle D6/361
2004/0183354 A1 * 9/2004 Rodriguez A47C 1/143
297/377
2010/0001565 A1 * 1/2010 Gray A47C 7/62
297/229

(Continued)

OTHER PUBLICATIONS

“A Cool Collection of White Pool Lounge Chairs” Sep. 12, 2014, plushemisphere.com, site visited 20 Jul. 2018 <http://plushemisphere.com/2014/09/a-cool-collection-of-white-pool-lounge-chairs/> (Year: 2014).*

Primary Examiner — Kevin K Rudzinski
Assistant Examiner — Paul D Bohannon
(74) *Attorney, Agent, or Firm* — MacCord Mason PLLC

(56) **References Cited**

U.S. PATENT DOCUMENTS

4,252,371 A * 2/1981 Lehnen A47C 5/10
297/27
D297,985 S * 10/1988 Kaminski D6/361
D327,377 S * 6/1992 Grosfillex D6/361
D329,544 S * 9/1992 Snodgrass D6/361
5,156,339 A * 10/1992 Gibson A47C 1/14
239/289
D344,415 S * 2/1994 Gibbs D6/361
D369,916 S * 5/1996 Lemoine D6/361
5,556,166 A * 9/1996 Synnestvedt A47C 1/026
297/377
6,089,655 A * 7/2000 Colman A47C 7/744
239/289
D429,421 S * 8/2000 Hodge D6/361
D509,967 S * 9/2005 Nardi D6/361

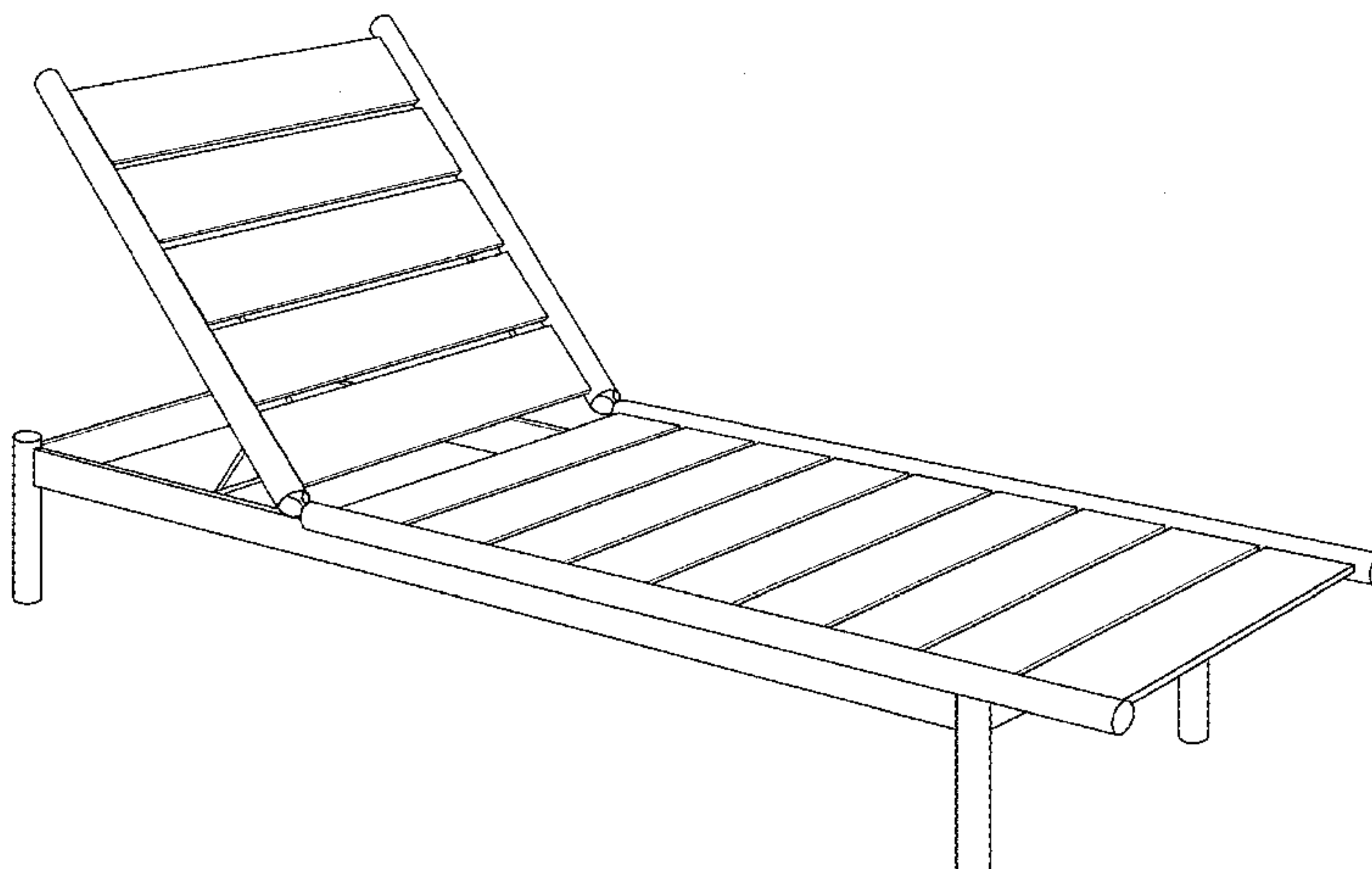
(57) **CLAIM**

The ornamental design for a lounge chair, as shown and described.

DESCRIPTION

FIG. 1 is a front perspective view of a lounge chair showing my new design;
FIG. 2 is a front view thereof;
FIG. 3 is a side view, the opposite side being a mirror image thereof;
FIG. 4 is a back view thereof;
FIG. 5 is a top view; and,
FIG. 6 is a lounge chair in a flat position.

1 Claim, 6 Drawing Sheets



(56)

References Cited

U.S. PATENT DOCUMENTS

2012/0223549 A1 * 9/2012 Broyles A47C 1/143
297/180.15

* cited by examiner

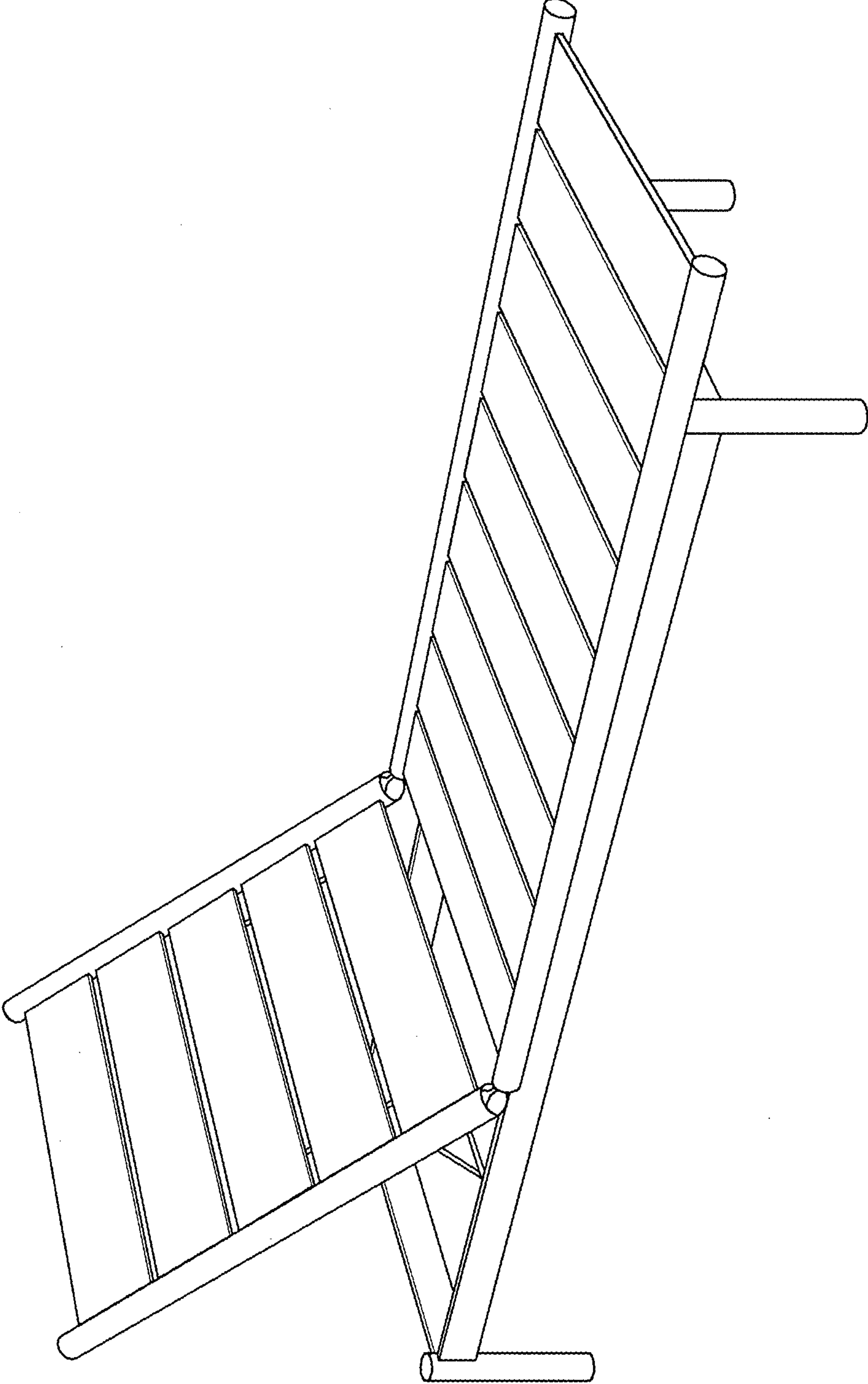


FIG. 1

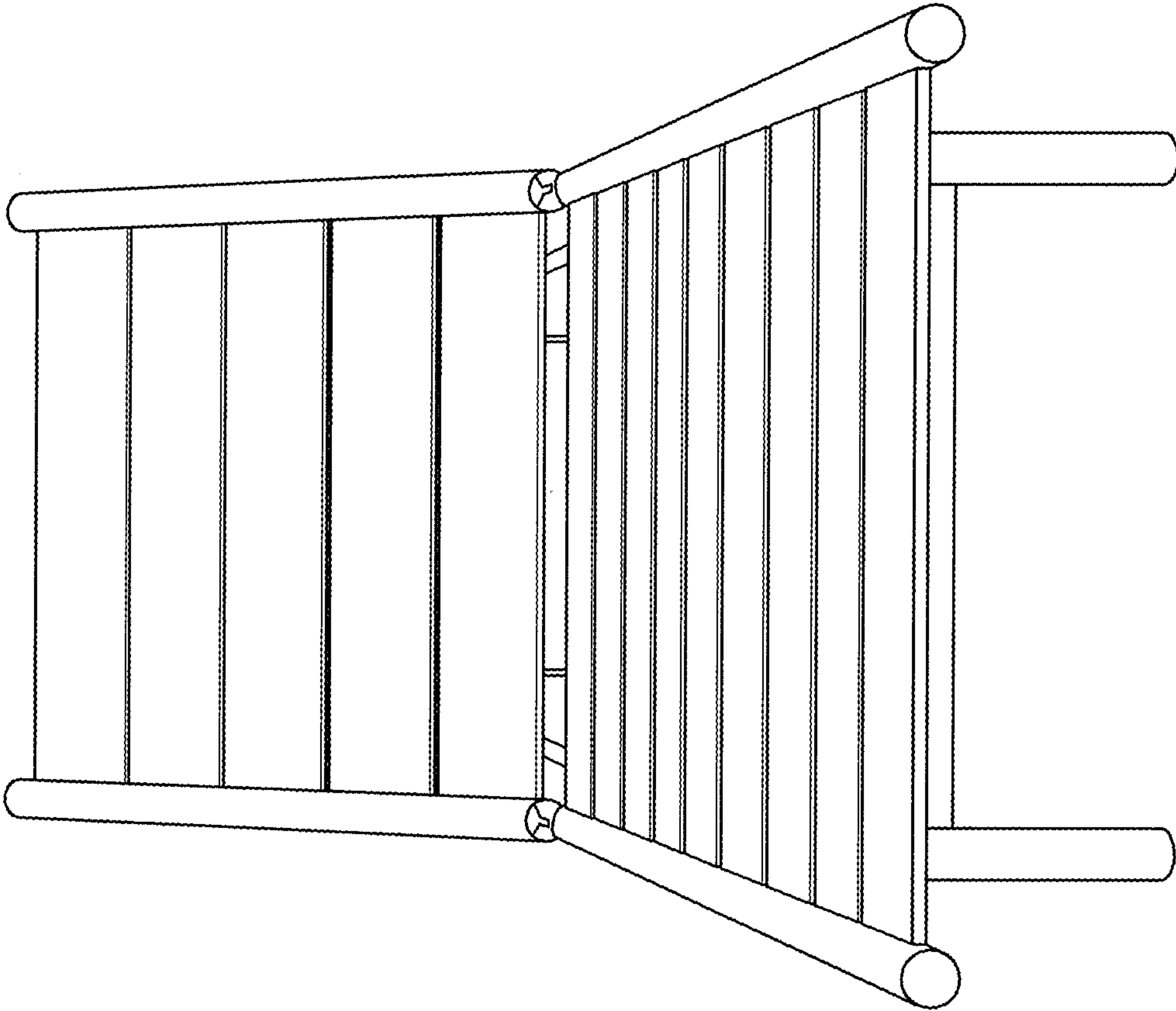


FIG. 2

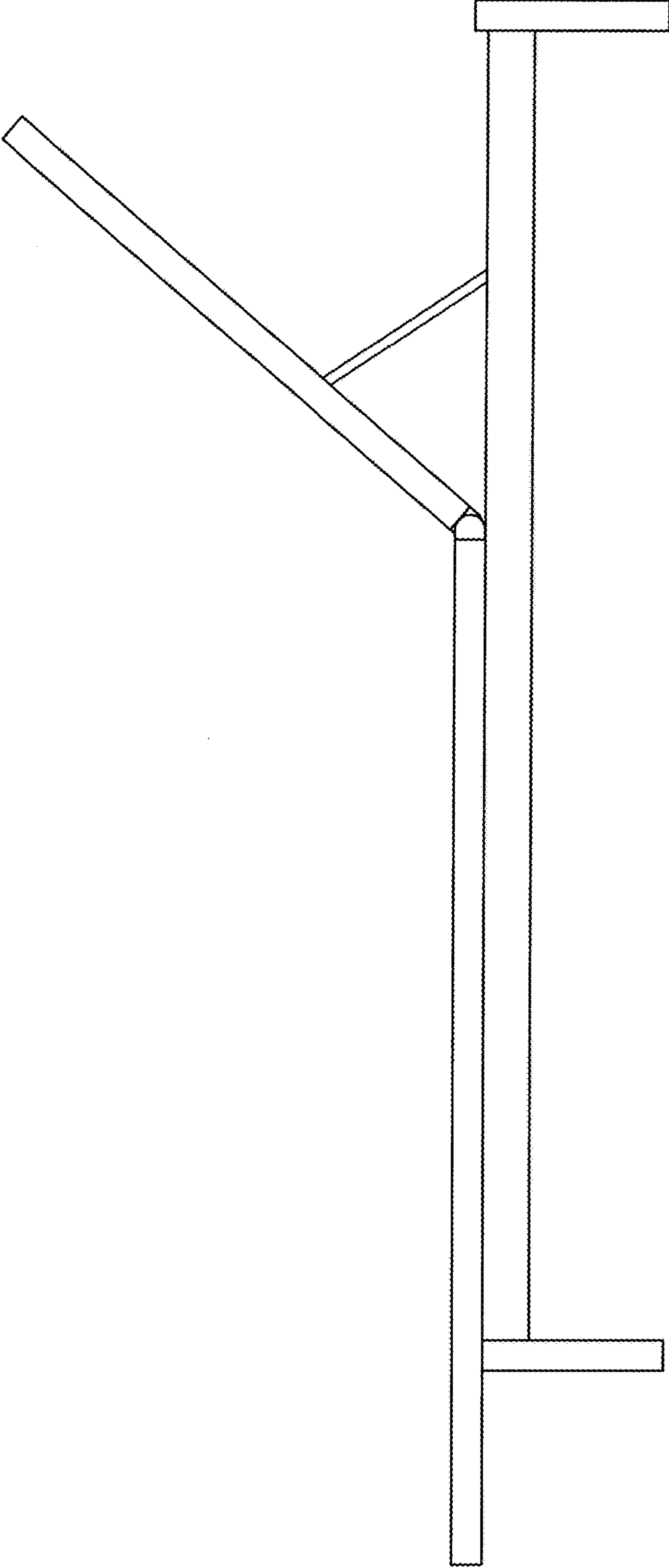


FIG. 3

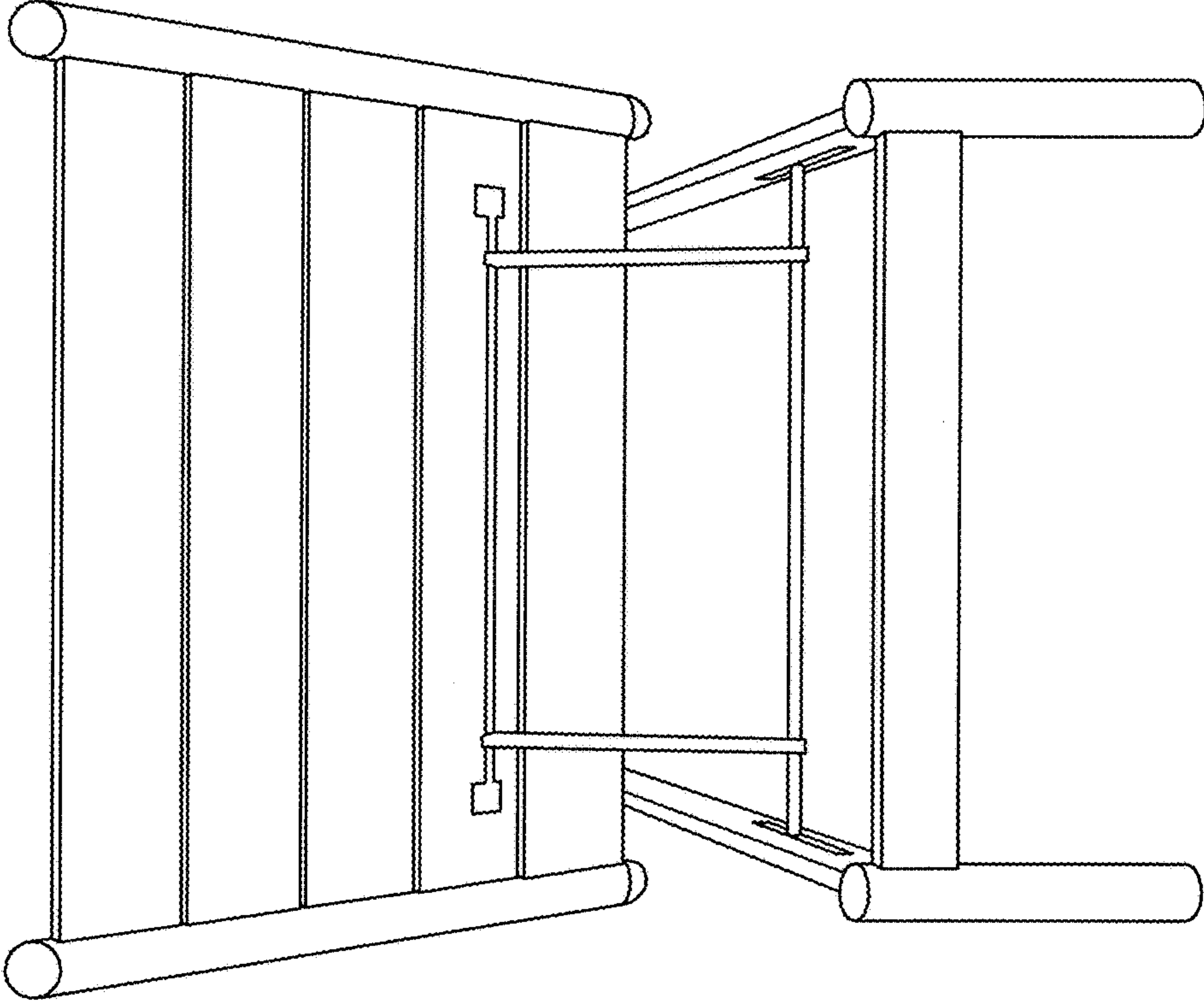


FIG. 4

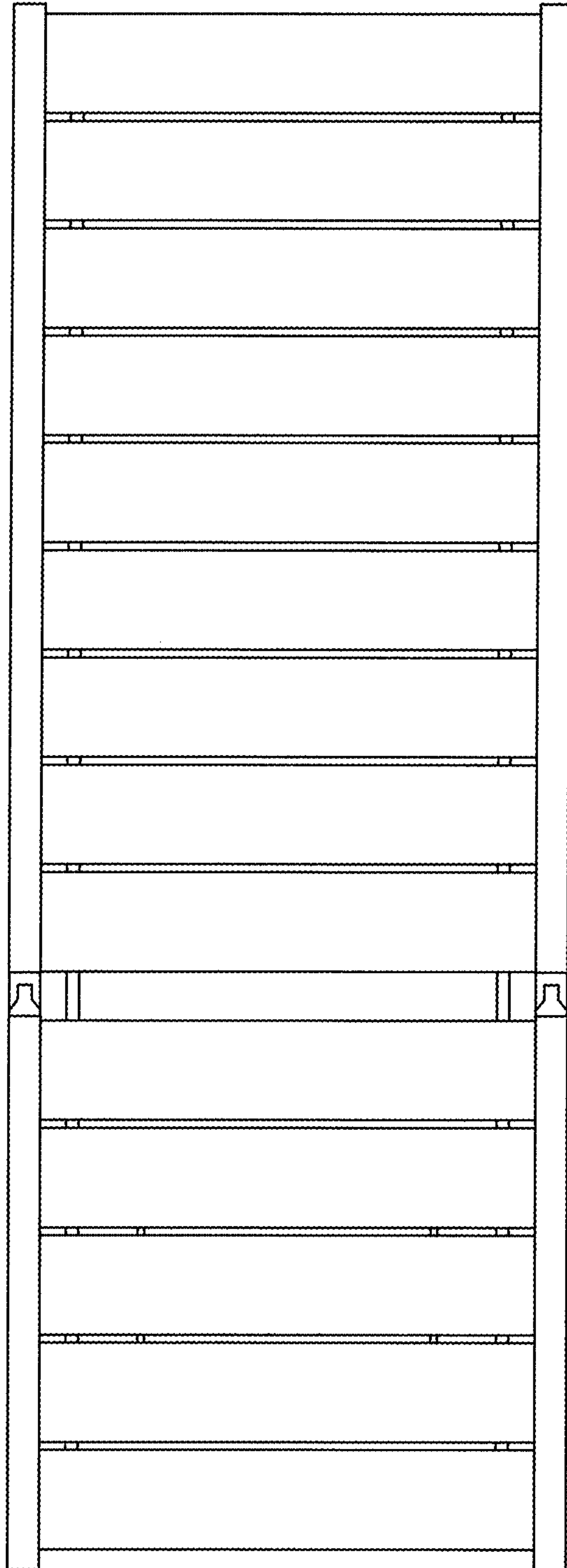


FIG. 5

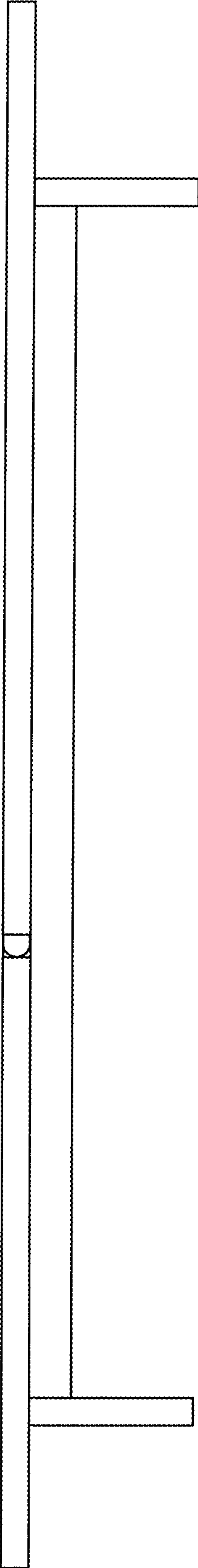


FIG. 6