



US00D841995S

(12) **United States Design Patent**
Zioni

(10) **Patent No.:** **US D841,995 S**
(45) **Date of Patent:** **** Mar. 5, 2019**

- (54) **TOILET STOOL**
- (71) Applicant: **Yaniv Zioni**, Los Angeles, CA (US)
- (72) Inventor: **Yaniv Zioni**, Los Angeles, CA (US)
- (73) Assignee: **Crownwell, LLC**, Los Angeles, CA (US)
- (**) Term: **15 Years**
- (21) Appl. No.: **29/635,678**
- (22) Filed: **Feb. 1, 2018**
- (51) **LOC (11) Cl.** **06-01**
- (52) **U.S. Cl.**
USPC **D6/353**
- (58) **Field of Classification Search**
USPC D6/334-338, 340-343, 349-353, 355,
D6/358, 364-365, 597, 691-691.9,
D6/692-692.6, 716-716.1
CPC .. A47B 7/00-7/02; A47C 11/00; A47C 12/00;
A47C 13/00; A47C 16/00; A47C 16/02;
A47C 16/04; A47C 9/00-9/105; A47K
17/02; A47K 17/028
See application file for complete search history.

D805,795 S * 12/2017 Allen D6/349
D807,069 S * 1/2018 Konghe D6/349
2014/0123376 A1* 5/2014 Edwards A47K 17/028
4/254

OTHER PUBLICATIONS

Squat N Go Extendable Toilet Stool. [online] Retrieved Nov. 9, 2018 from URL: <https://www.amazon.com/Squat-Go-Extendable-Squatting-Convenient/dp/B079HC95KZ?th=1>.*

* cited by examiner

Primary Examiner — Vy N Koenig
(74) *Attorney, Agent, or Firm* — Payam Moradian

(57) **CLAIM**

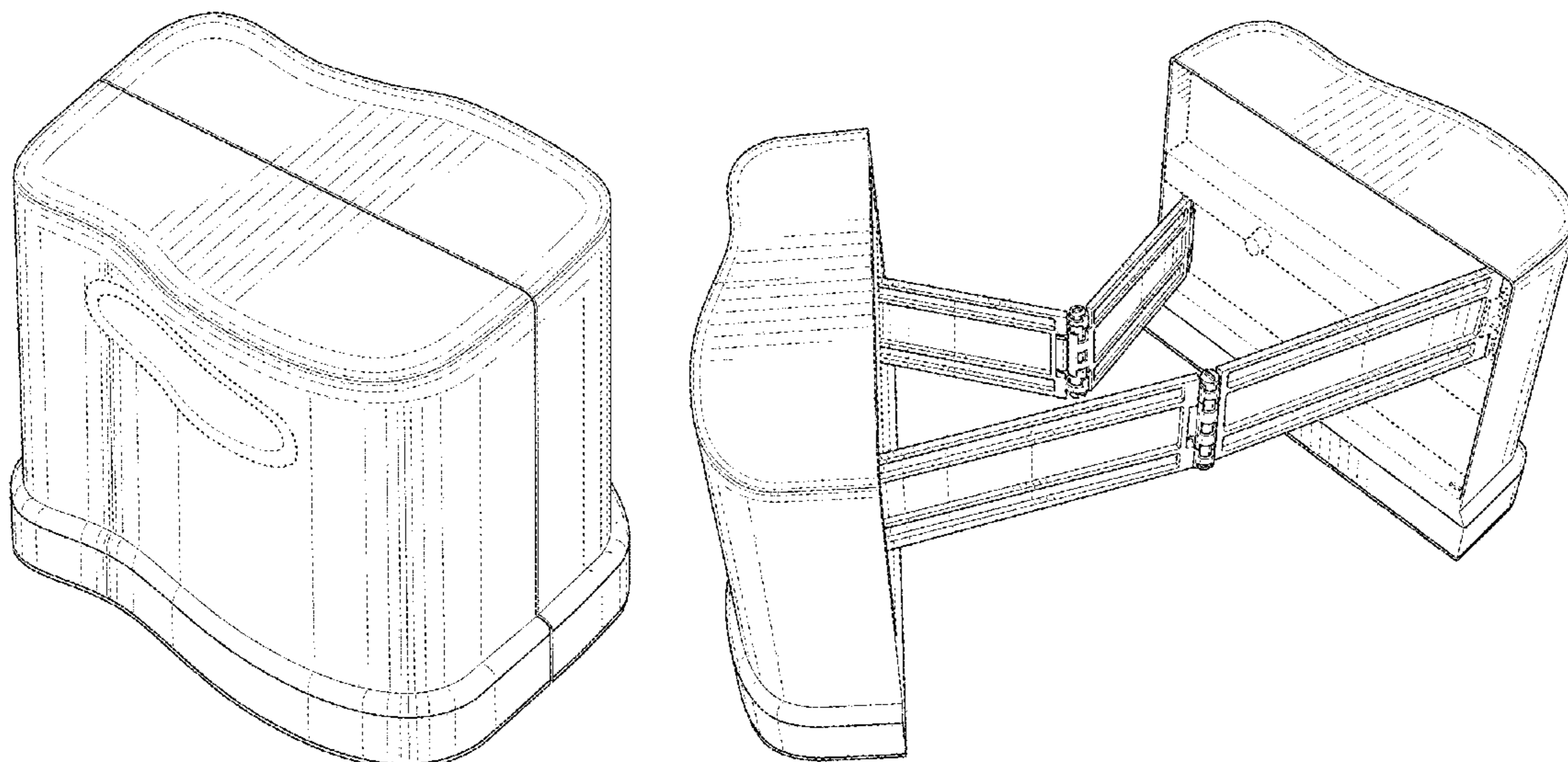
The ornamental design for a toilet stool, as shown and described.

DESCRIPTION

FIG. 1 is a top perspective view of a toilet stool showing my new design in a closed configuration;
FIG. 2 is a left view thereof;
FIG. 3 is a right view thereof;
FIG. 4 is a front side view thereof;
FIG. 5 is a rear side view thereof;
FIG. 6 is a top plan view thereof;
FIG. 7 is a bottom plan view thereof;
FIG. 8 is a top perspective view of the toilet stool of FIG. 1 in an opened configuration;
FIG. 9 is a right view thereof;
FIG. 10 is a left view thereof;
FIG. 11 is a front view thereof;
FIG. 12 is a rear view thereof;
FIG. 13 is a top plan view thereof; and,
FIG. 14 is a bottom plan view thereof.
The broken lines in the drawings depict portions of the toilet stool that form no part of the claimed design.

1 Claim, 14 Drawing Sheets

- (56) **References Cited**
U.S. PATENT DOCUMENTS
D140,212 S * 1/1945 McLane 297/423.41
D609,930 S * 2/2010 Young-II D6/355
D705,554 S * 5/2014 Edwards D6/349
D716,065 S * 10/2014 Hubbard, Jr. D6/349
D744,764 S * 12/2015 Sakaguchi D6/353
D749,330 S * 2/2016 Jahns D6/349
D767,291 S * 9/2016 Edwards A47C 16/025
D6/353
D767,323 S * 9/2016 Kucinic D6/358
D801,063 S * 10/2017 Jia D6/349
D801,095 S * 10/2017 Konghe D6/716



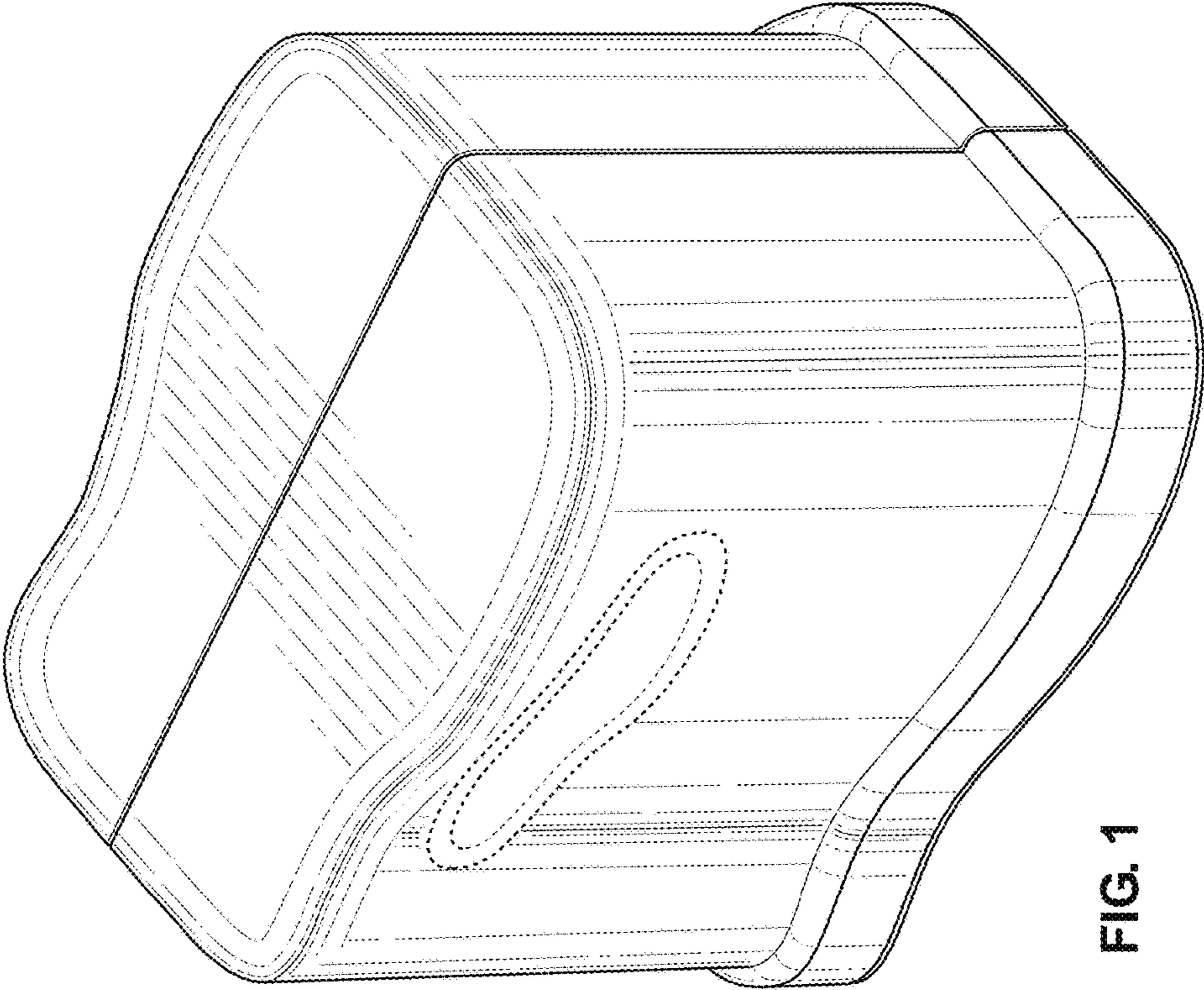


FIG. 1

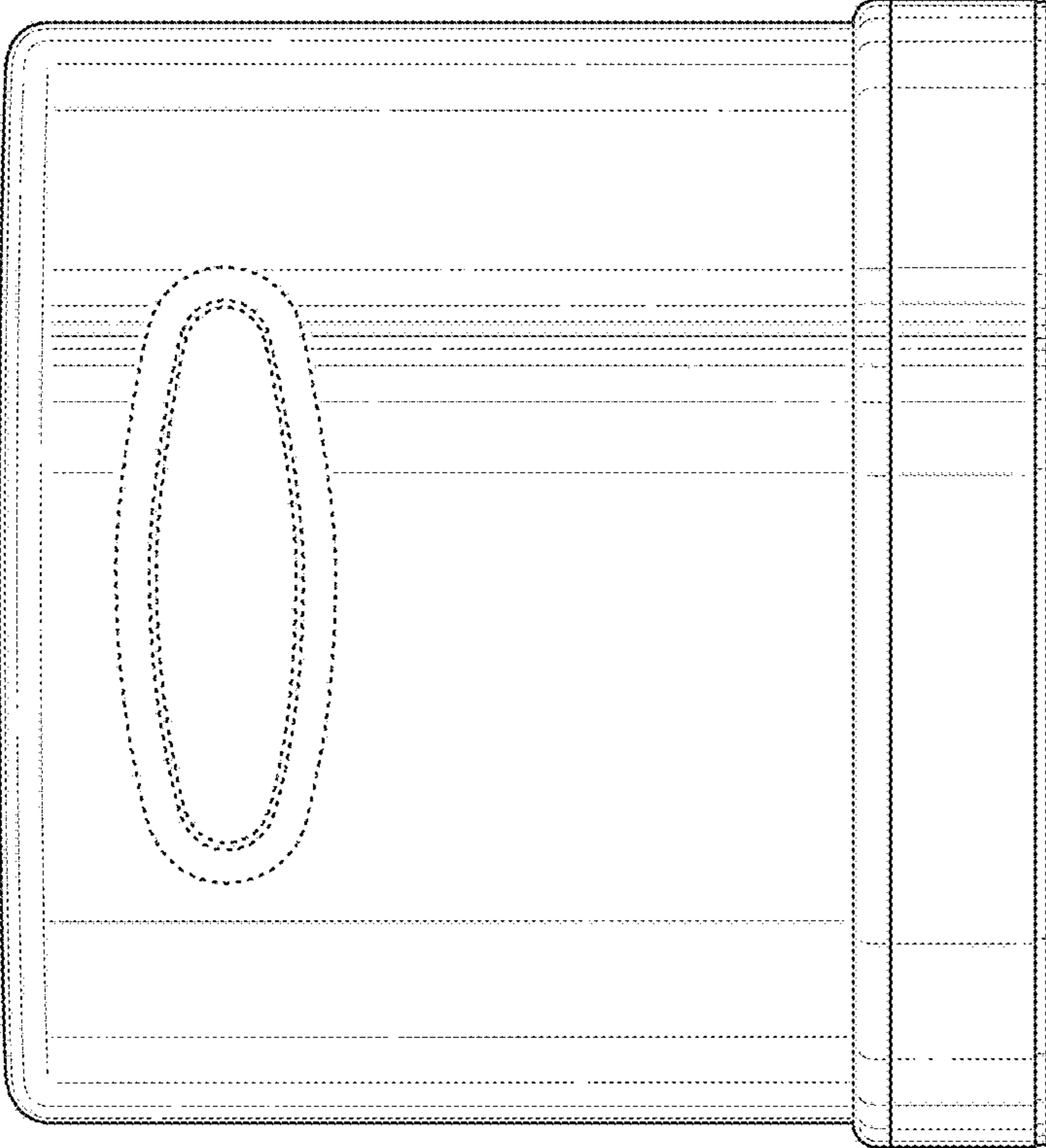


FIG. 2

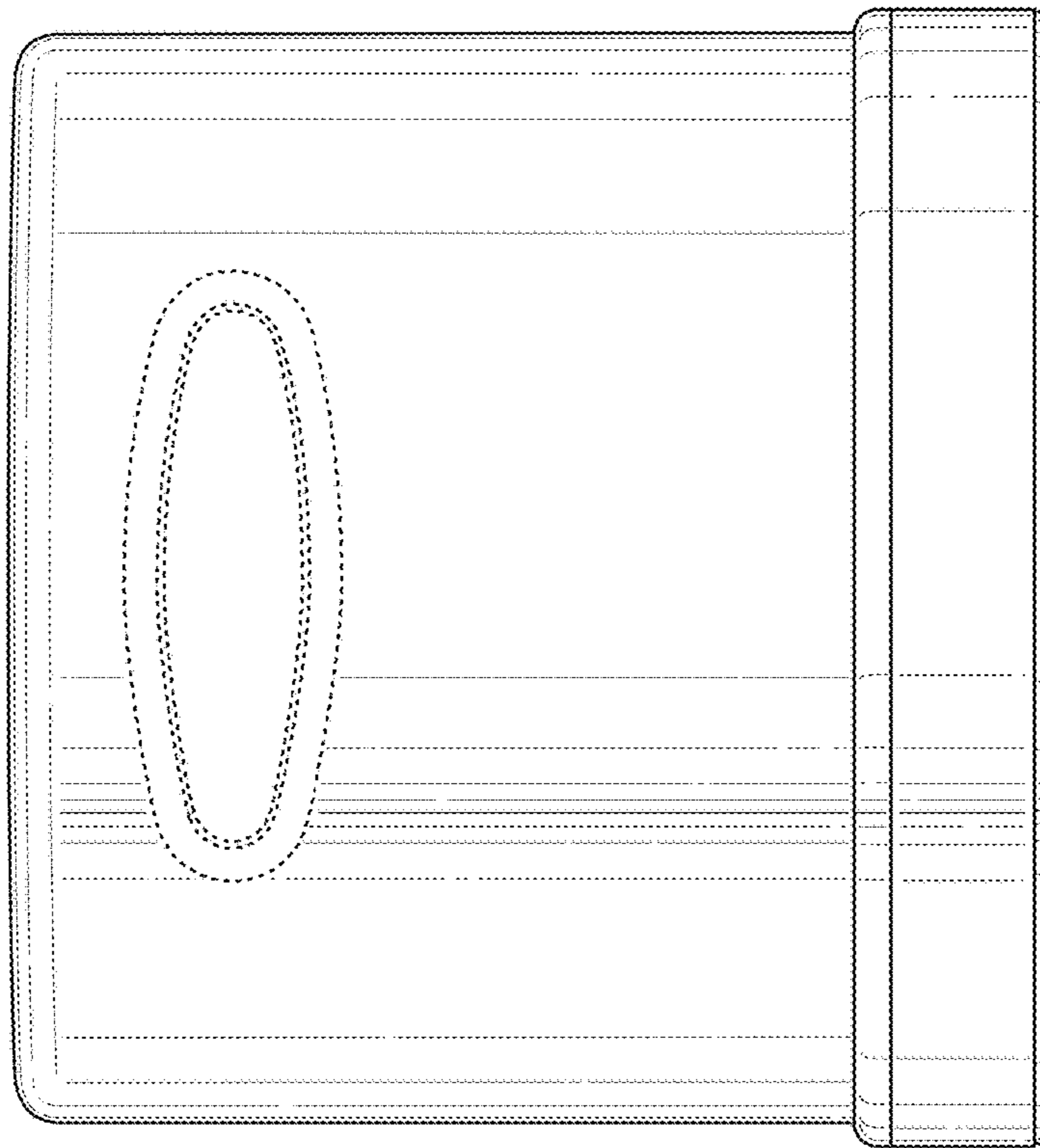


FIG. 3

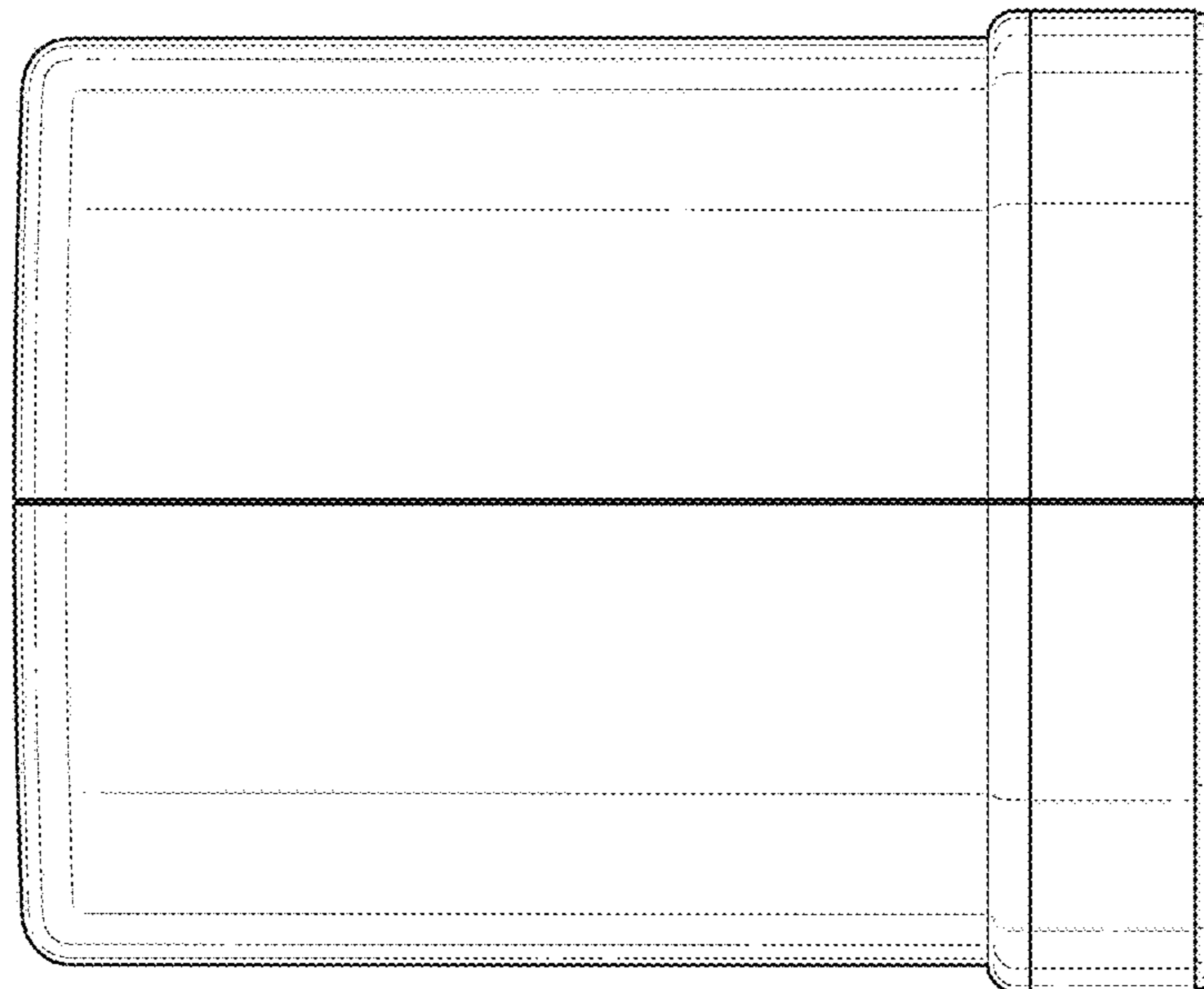


FIG. 4

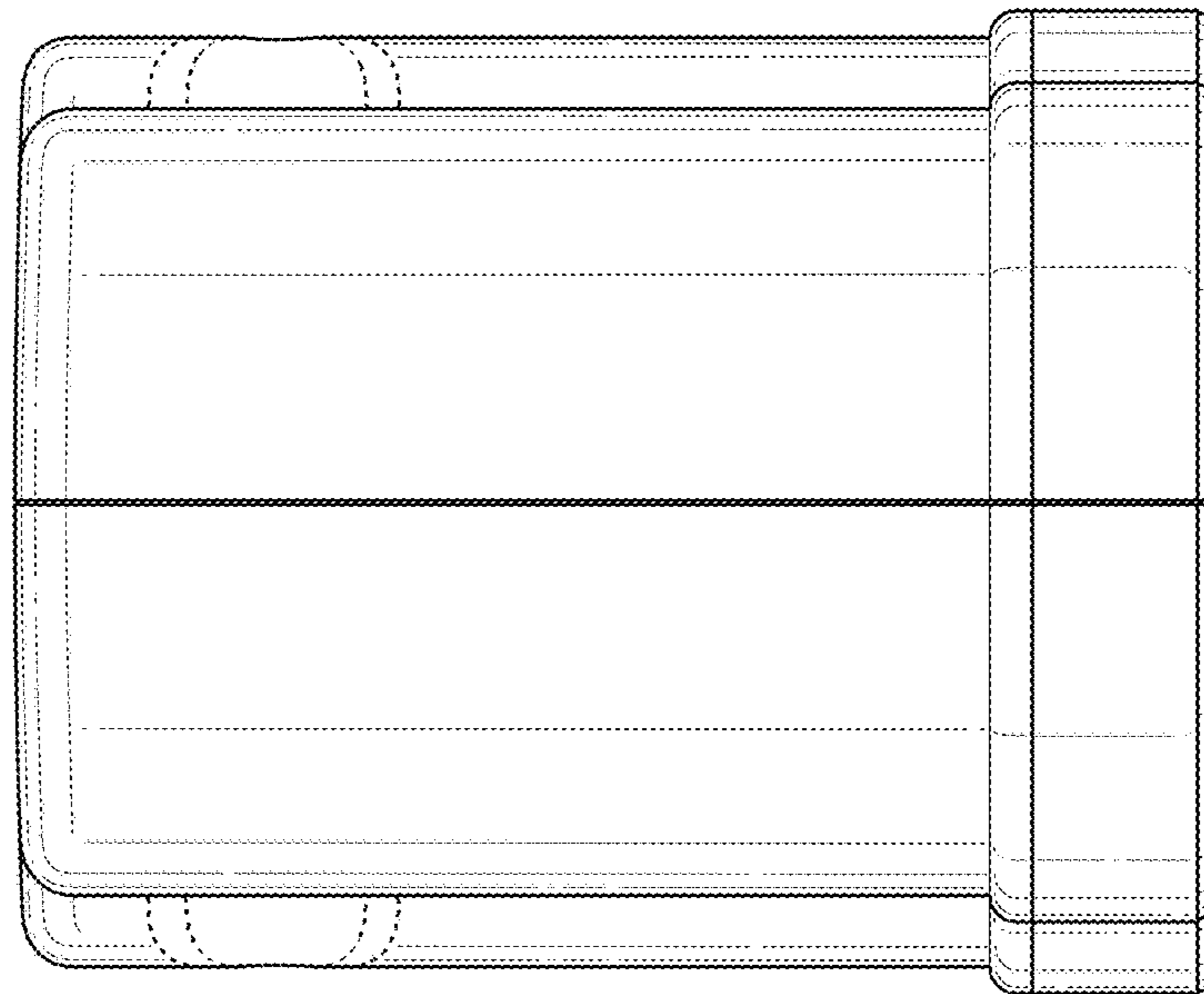


FIG. 5

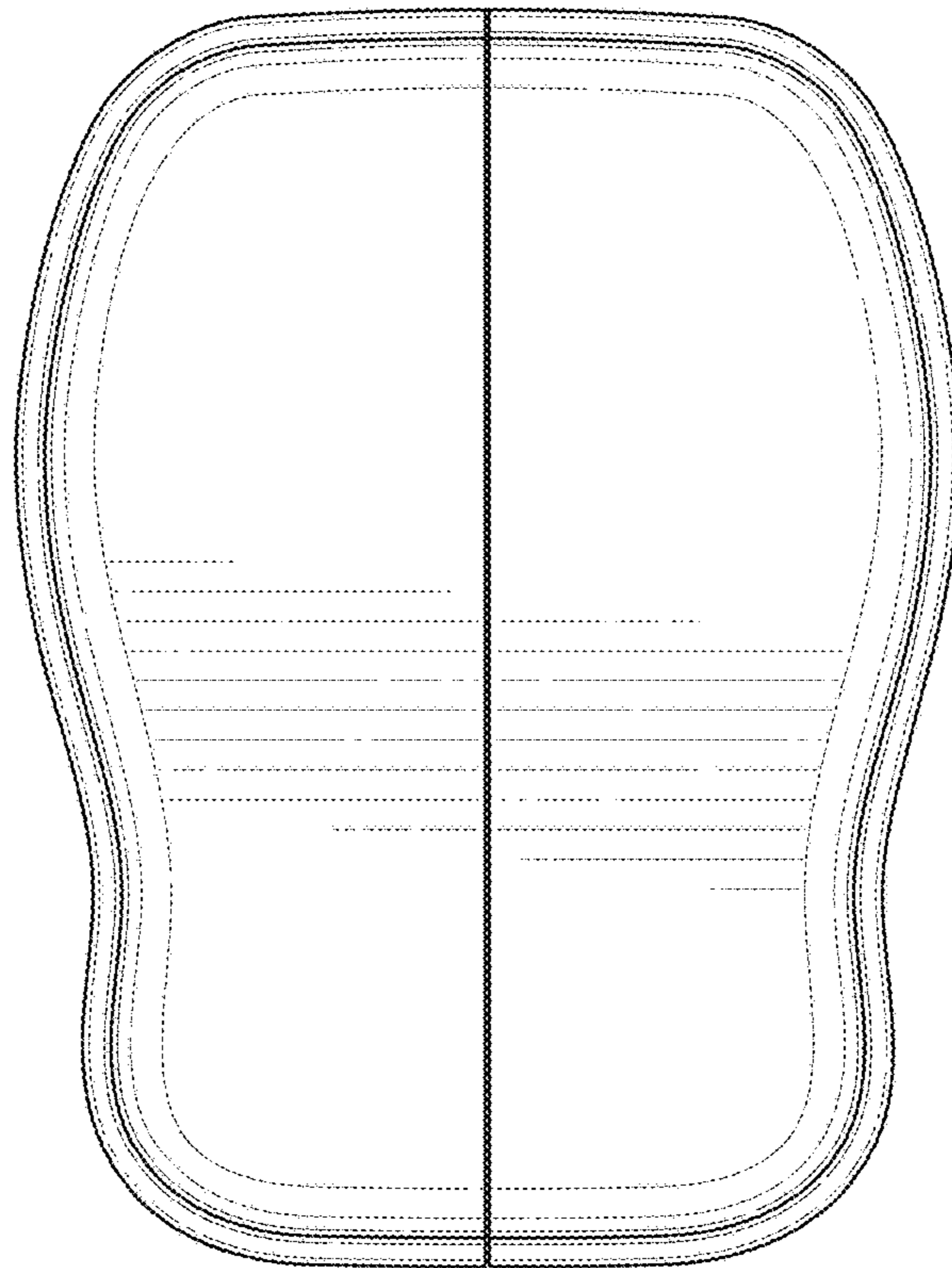


FIG. 6

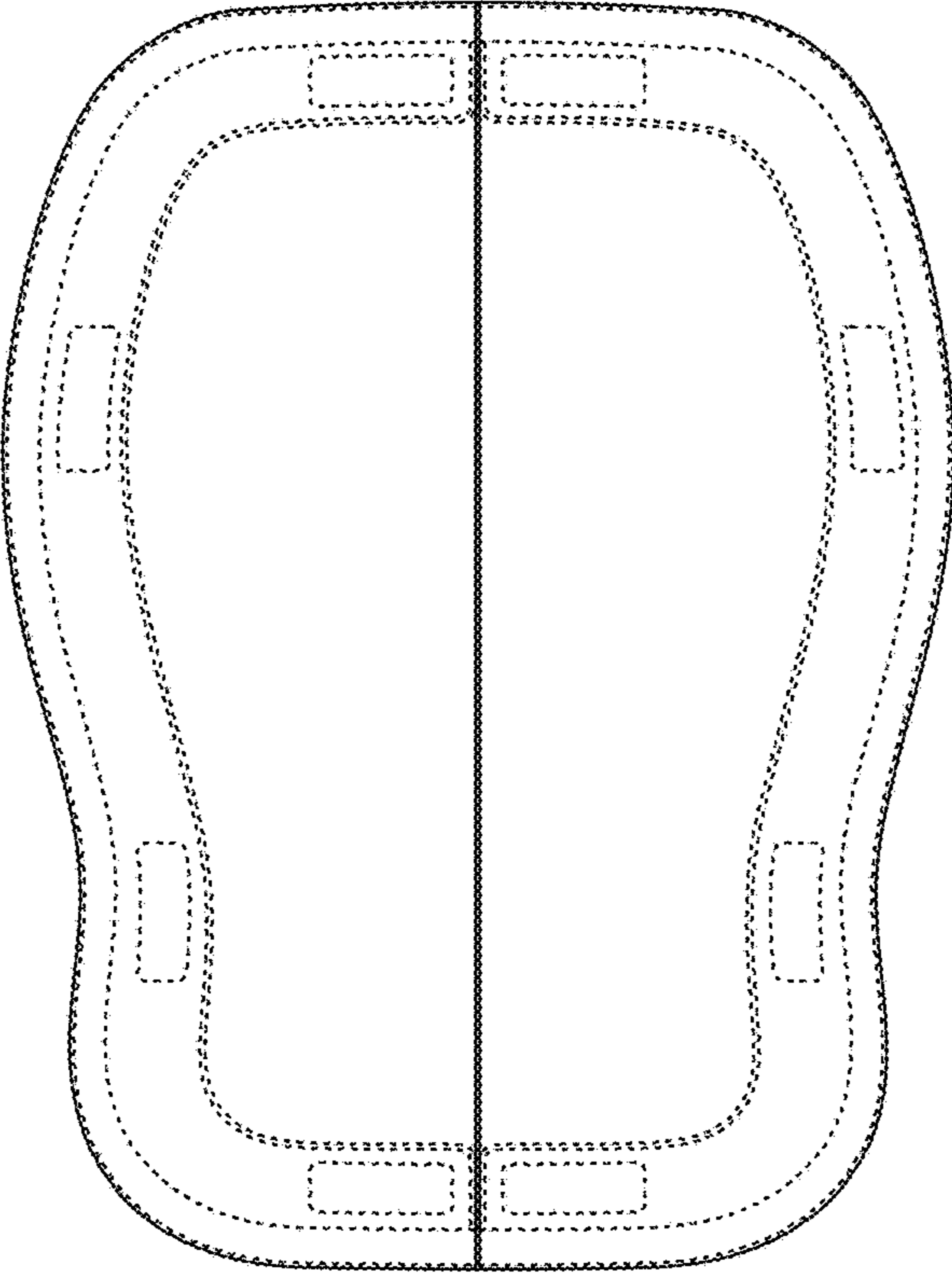


FIG. 7

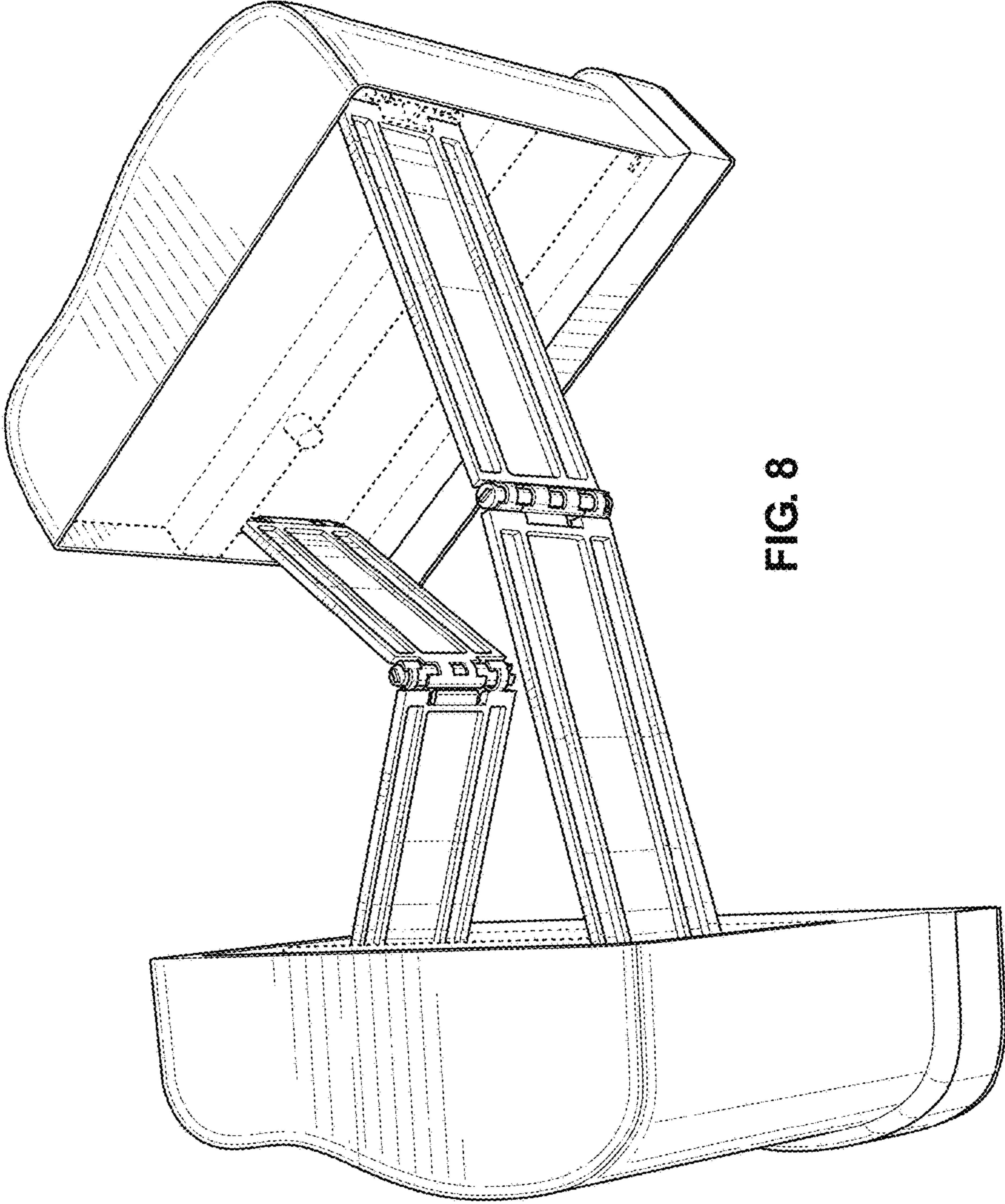


FIG. 8

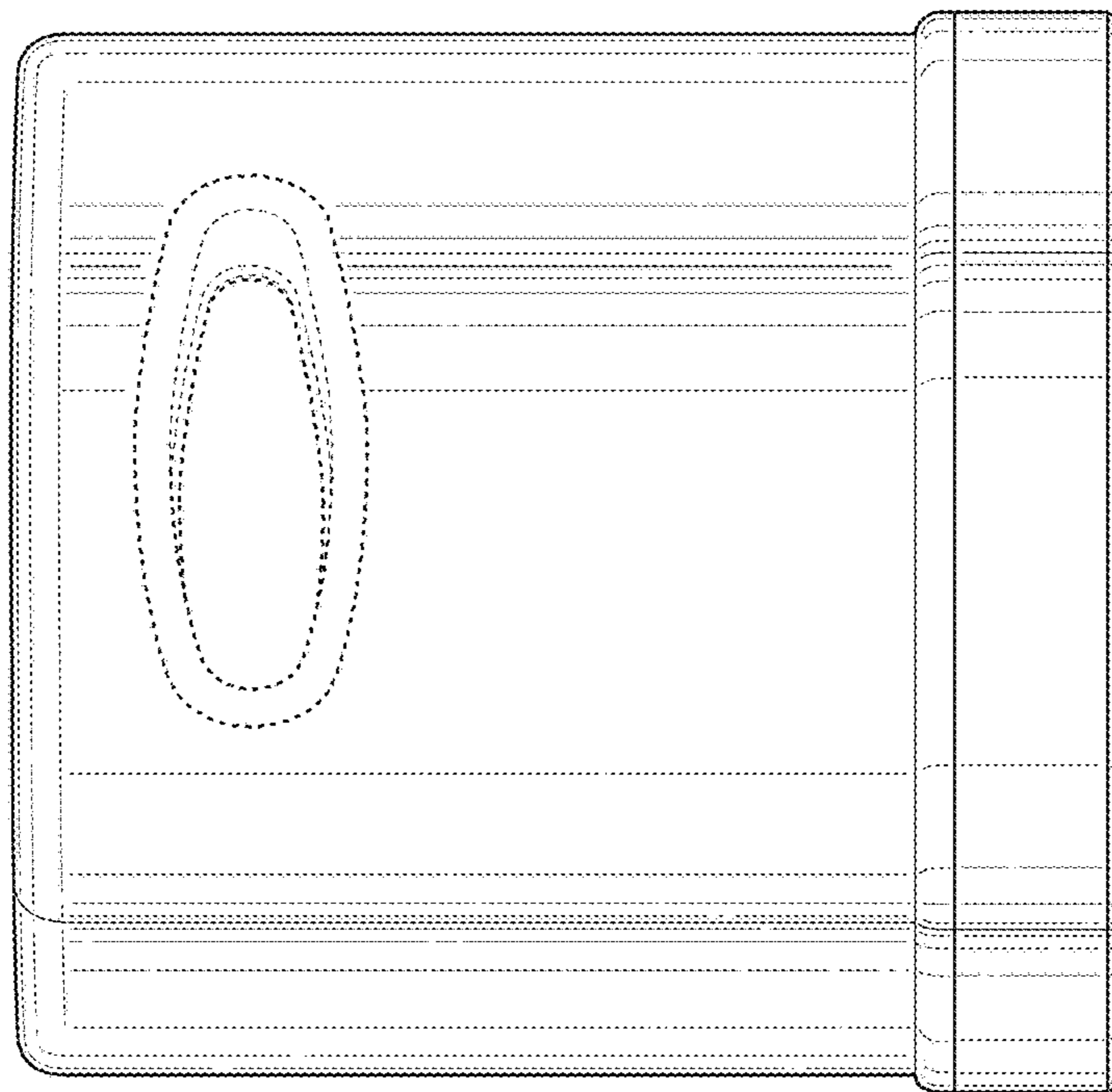


FIG. 9

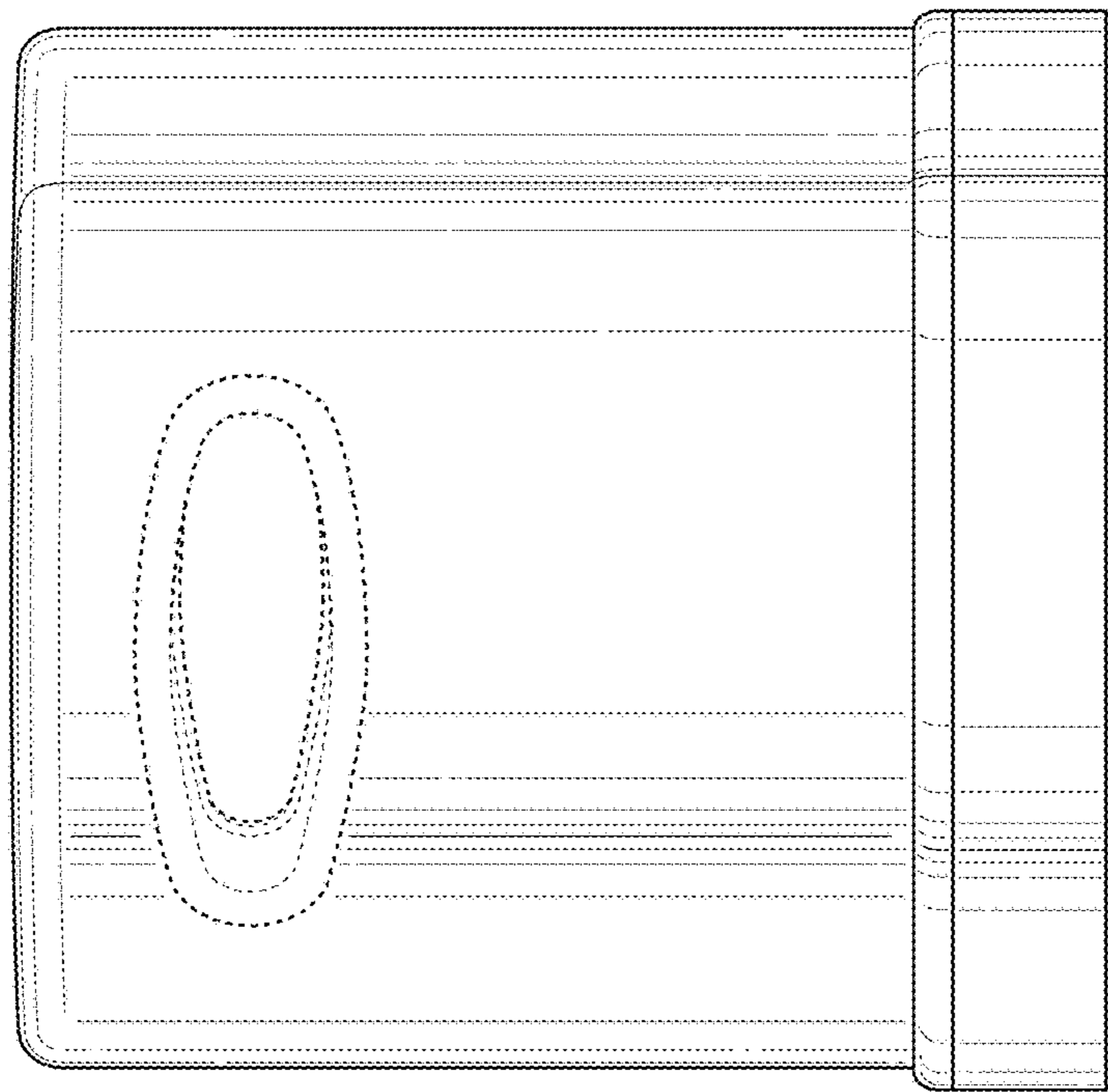


FIG. 10

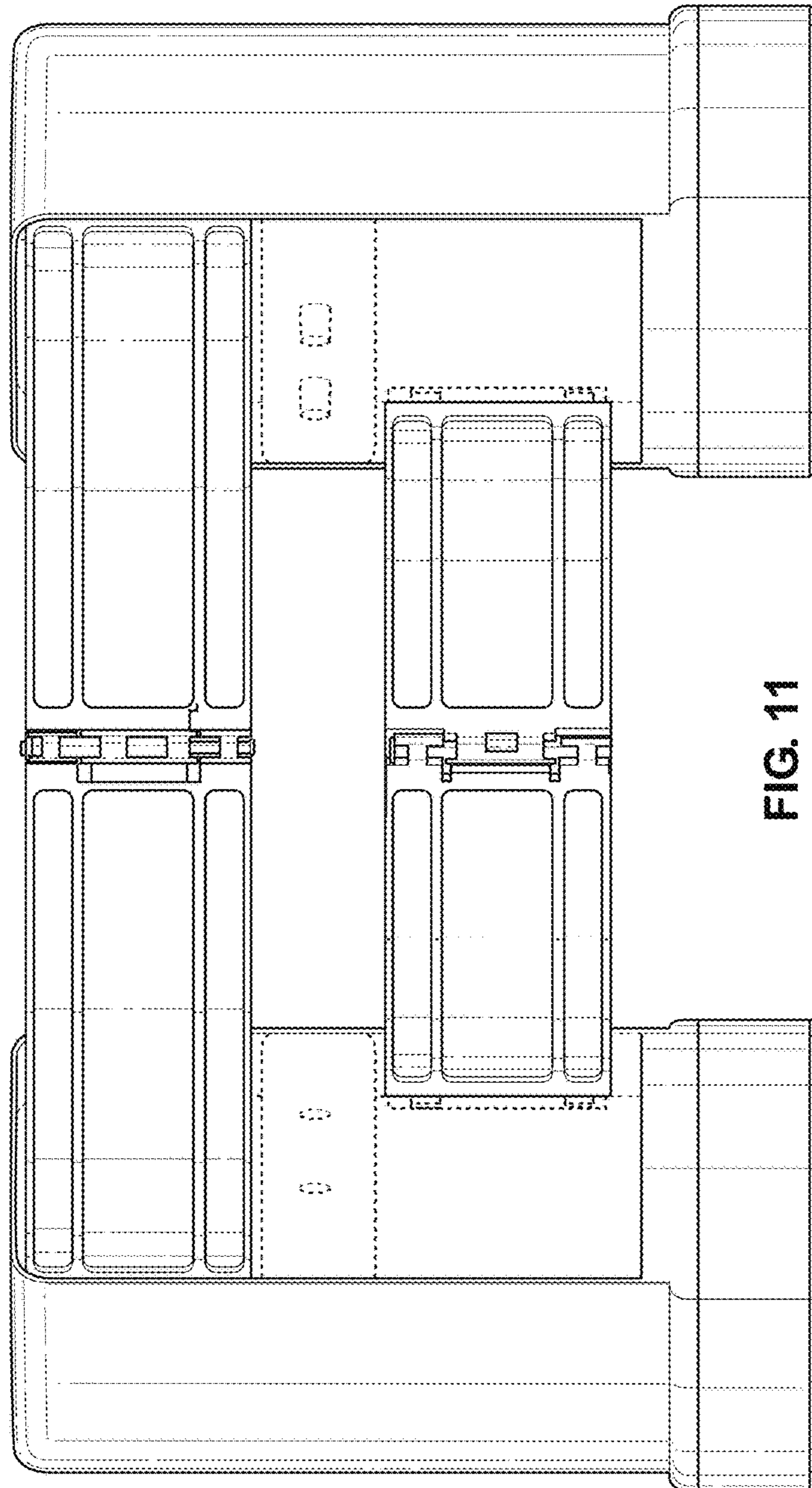


FIG. 11

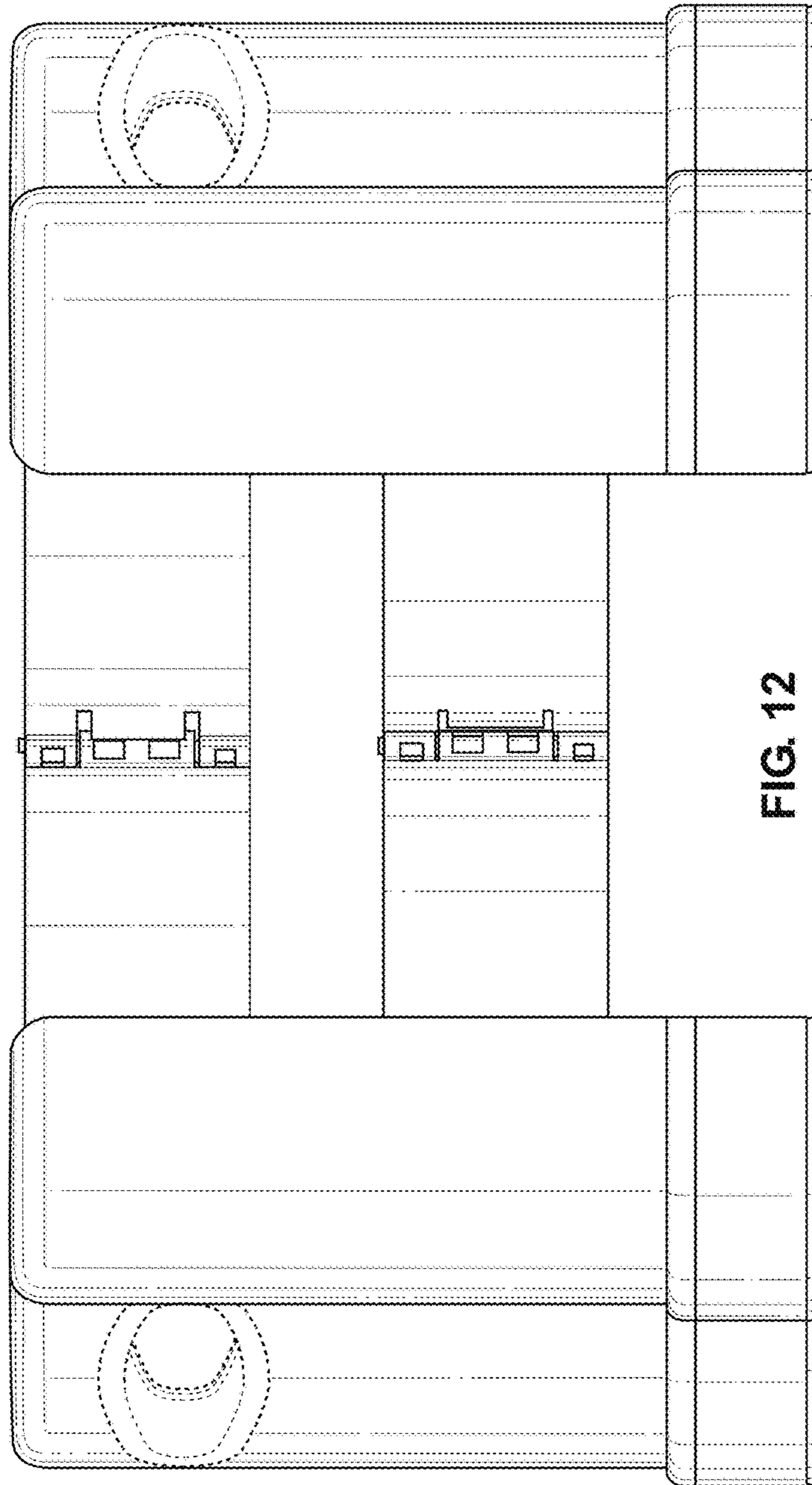


FIG. 12

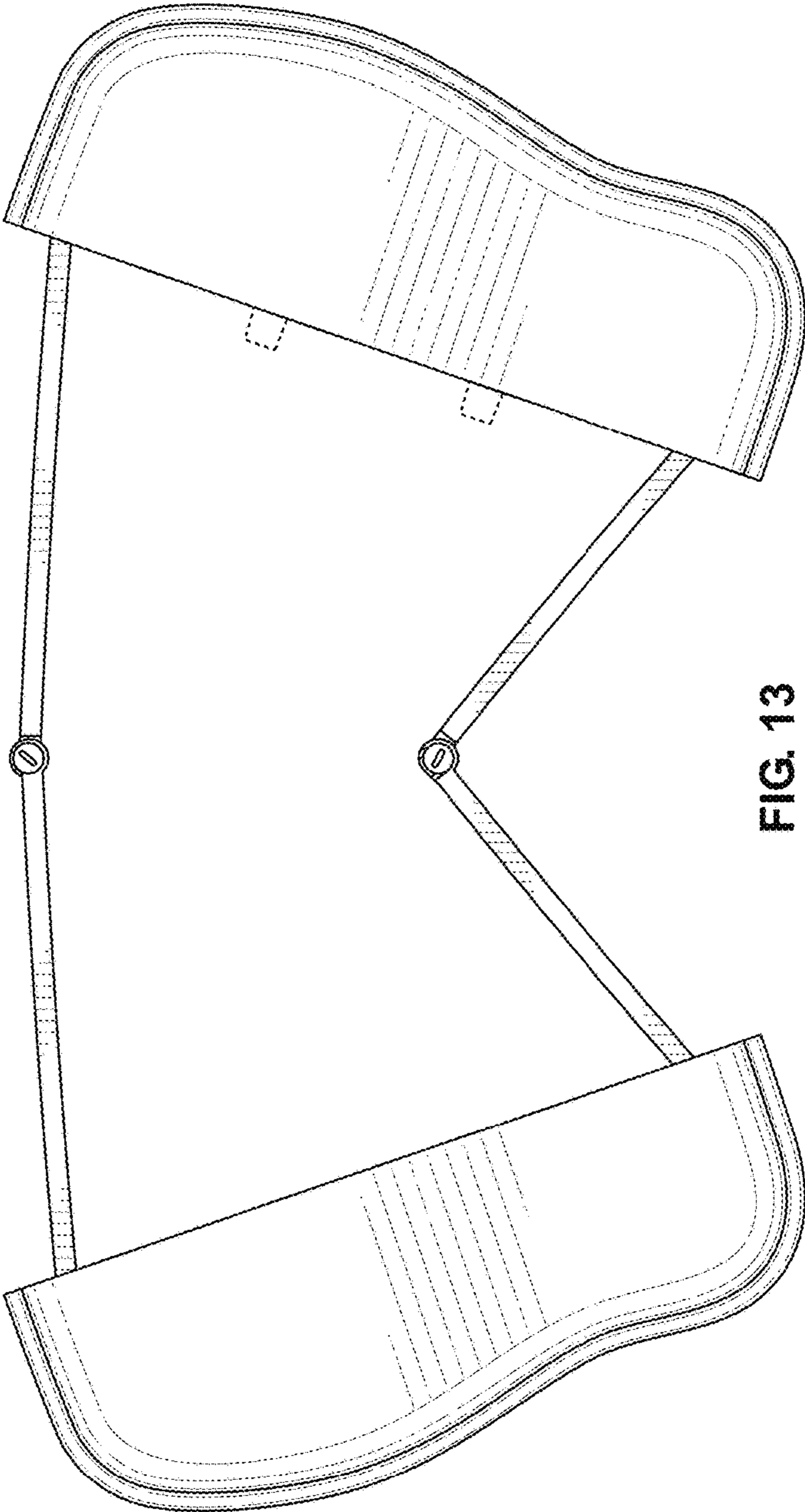


FIG. 13

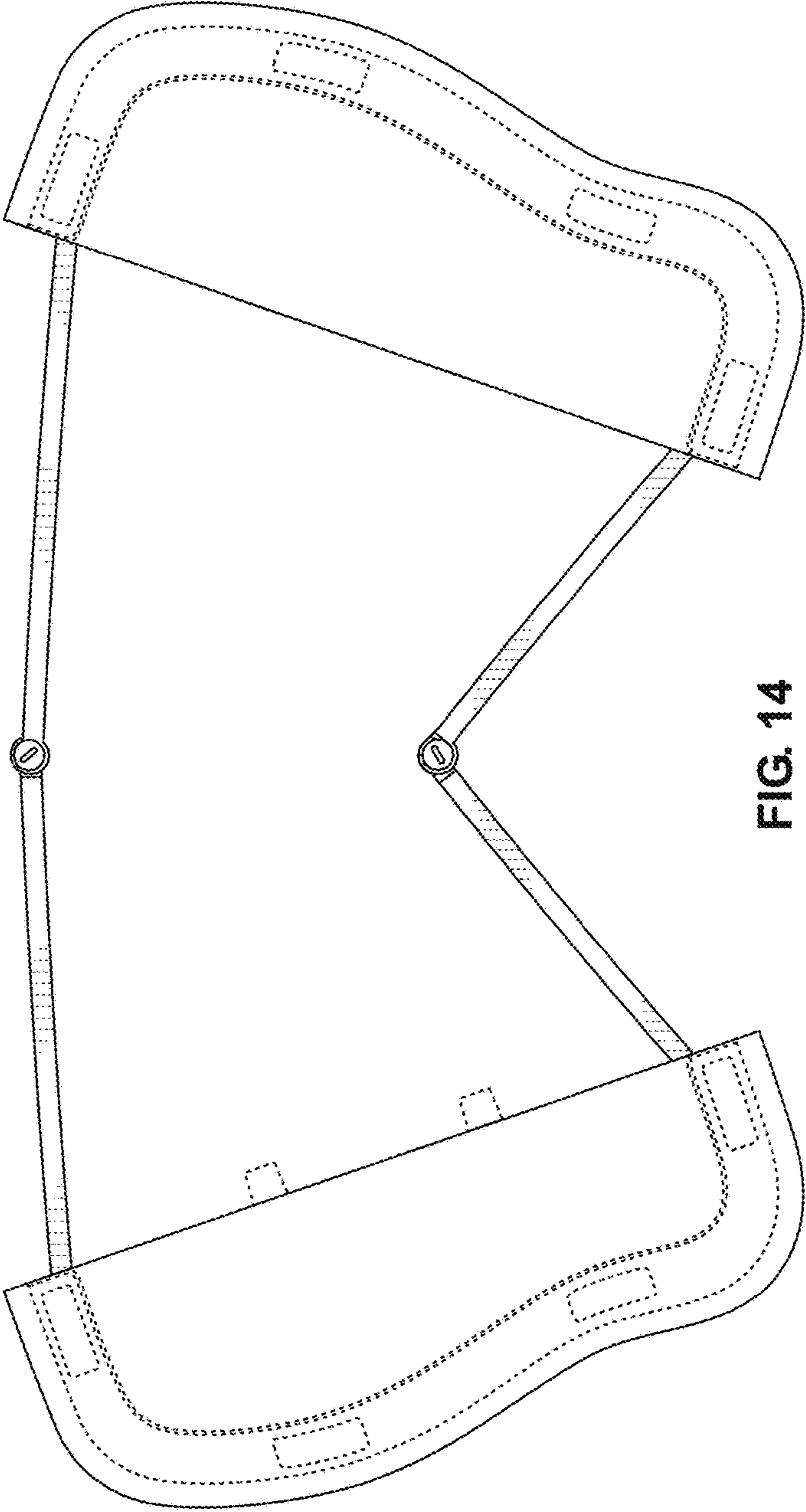


FIG. 14