



US00D841994S

(12) **United States Design Patent**
Wynants

(10) **Patent No.:** **US D841,994 S**
(45) **Date of Patent:** **** Mar. 5, 2019**

(54) **TABLE**

(71) Applicant: **Dirk Wynants**, Poperinge (BE)

(72) Inventor: **Dirk Wynants**, Poperinge (BE)

(73) Assignee: **Extremis Inc.**, Chicago, IL (US)

(**) Term: **15 Years**

(21) Appl. No.: **29/623,513**

(22) Filed: **Oct. 25, 2017**

(51) **LOC (11) Cl.** **06-01**

(52) **U.S. Cl.**
USPC **D6/337**

(58) **Field of Classification Search**
USPC D6/334-338, 340-342, 349, 716, 716.1
CPC A47B 3/14; A47B 3/002; A47B 3/083;
A47B 3/087; A47B 2003/145; A47B
83/02
See application file for complete search history.

(56) **References Cited**

U.S. PATENT DOCUMENTS

681,394	A *	8/1901	Hile	A47B 83/02 297/157.1
2,038,806	A *	4/1936	Sellar	A47C 9/025 248/161
D233,191	S *	10/1974	Turner	D6/337
D244,409	S *	5/1977	Arnold	D6/337
D283,856	S *	5/1986	Elmaleh	D6/349
4,738,484	A *	4/1988	Leong	A47B 83/02 297/158.3
5,029,938	A *	7/1991	Song	A47B 83/02 108/35
D369,913	S *	5/1996	Noll	D6/337
5,782,526	A *	7/1998	Ott	A47B 83/02 297/157.1

(Continued)

Primary Examiner — Deanna L Pratt

(74) *Attorney, Agent, or Firm* — Jennifer Lacroix

(57) **CLAIM**

The ornamental design for a table, substantially as shown and described.

DESCRIPTION

FIG. 1 is a top perspective view of a first embodiment of the new design;

FIG. 2 is a bottom perspective view of the first embodiment of the new design;

FIG. 3 is a right side elevational view of the first embodiment of the new design;

FIG. 4 is a left side elevational view of the first embodiment of the new design;

FIG. 5 is a front elevational view of the first embodiment of the new design;

FIG. 6 is a rear elevational view of the first embodiment of the new design;

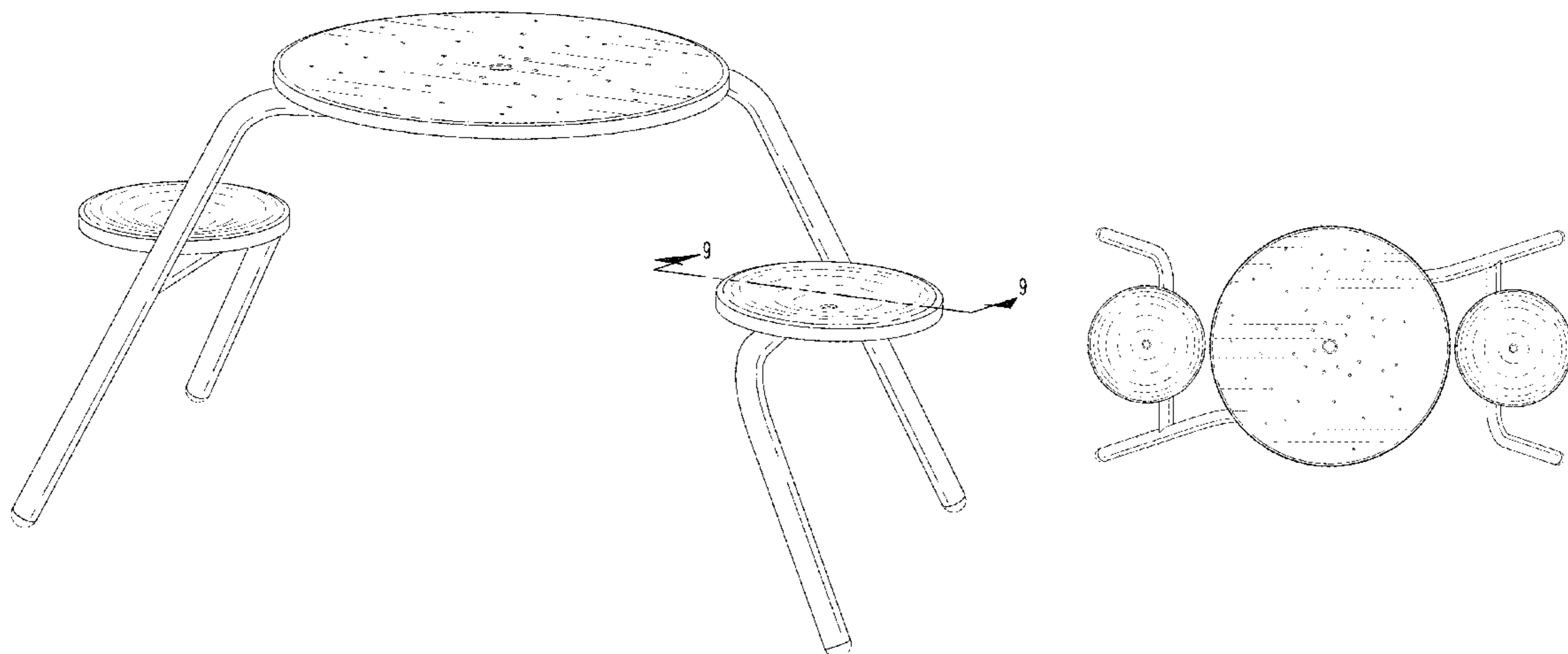
FIG. 7 is a top plan view of the first embodiment of the new design;

FIG. 8 is a bottom plan view of the first embodiment of the new design;

FIG. 9 is a close-up cross-sectional view of a seat portion of the first embodiment of the new design taken along line 9-9 of FIG. 1 depicting the shape of the two seat portions; and, FIG. 10 is a close-up cross-sectional view of a seat portion of a second embodiment of the new design taken along line 9-9 of FIG. 1 depicting the shape of the two seat portions.

The design consists of the features of shape, ornamentation, and configuration of the article shown in the drawings. The broken lines shown in the drawings, which include the small holes in the table portion and the small holes in the brackets beneath the table and seat portions, are for the purposes of illustrating portions of the article or possible environment and form no part of the claimed design.

1 Claim, 6 Drawing Sheets



(56)

References Cited

U.S. PATENT DOCUMENTS

6,065,802 A * 5/2000 Bue A47B 3/14
108/168
6,102,475 A * 8/2000 Hamann A47B 83/02
108/27
D439,060 S * 3/2001 Larsen D6/337
D467,437 S * 12/2002 Ott D6/337
D467,438 S * 12/2002 Ott D6/337
D497,263 S * 10/2004 Darling D6/337
D521,258 S * 5/2006 Hightower D6/337
D542,572 S * 5/2007 Green D6/708.16
7,393,049 B2 * 7/2008 Chase A47C 9/022
297/134
D604,524 S * 11/2009 Weeks D6/338
D605,862 S * 12/2009 Weeks D6/338
D621,629 S * 8/2010 Weimer D6/337
8,181,583 B2 * 5/2012 Rivera, Jr. A47B 3/14
108/168
D683,975 S * 6/2013 Starck D6/349
D796,884 S * 9/2017 Dickey D6/716.1
D802,945 S * 11/2017 Rivera, Jr. D6/337

* cited by examiner

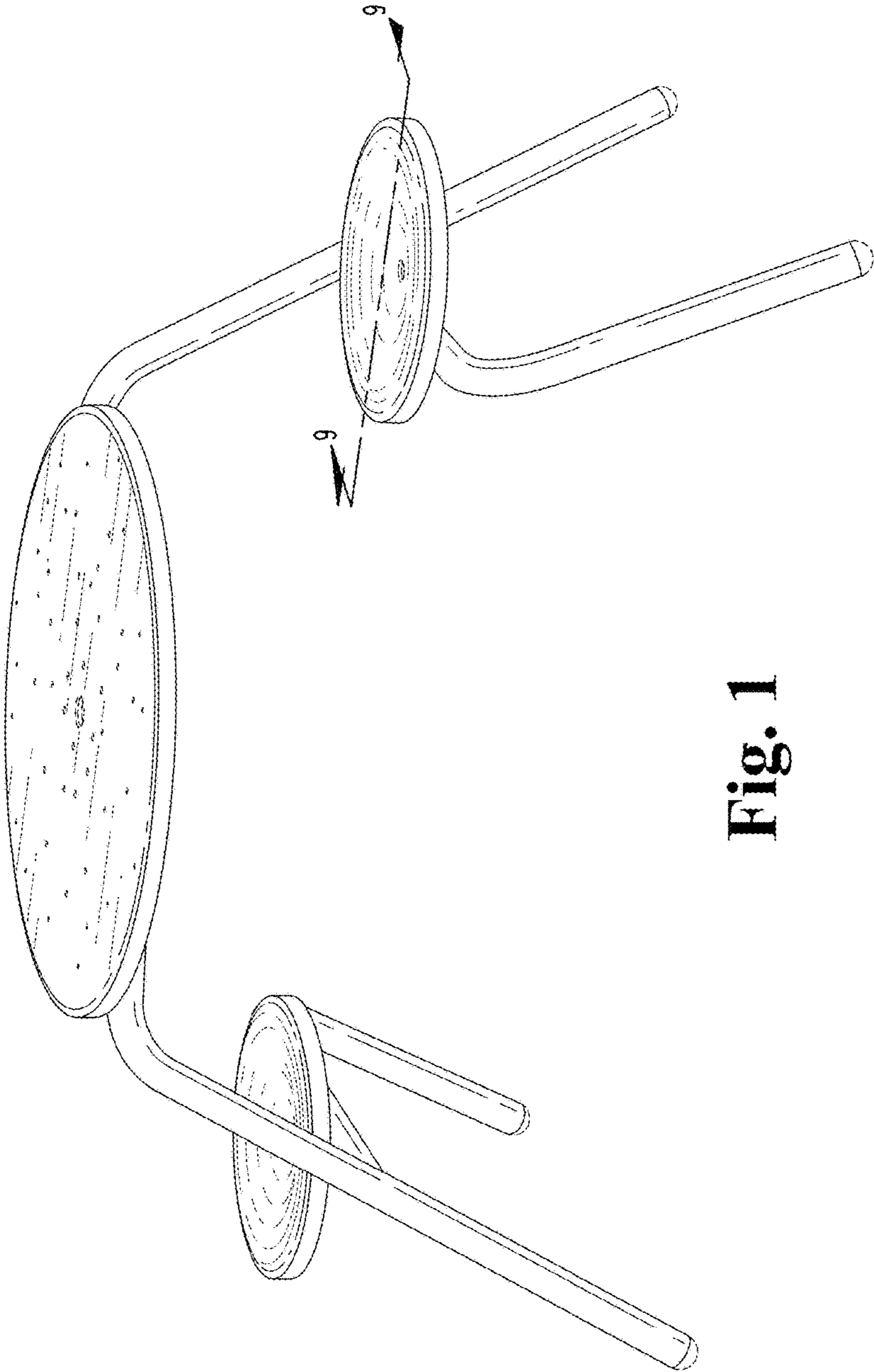


Fig. 1

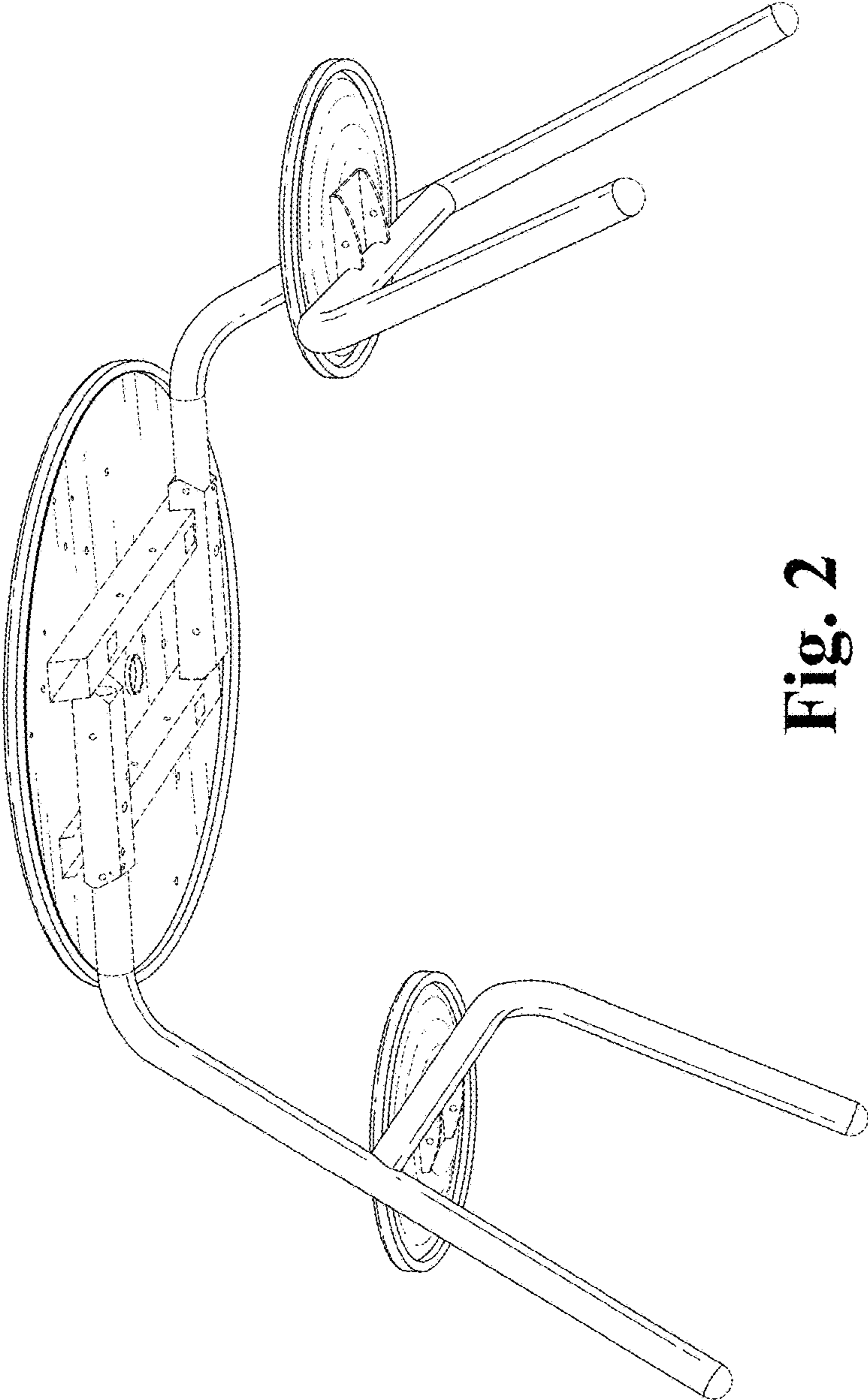


Fig. 2

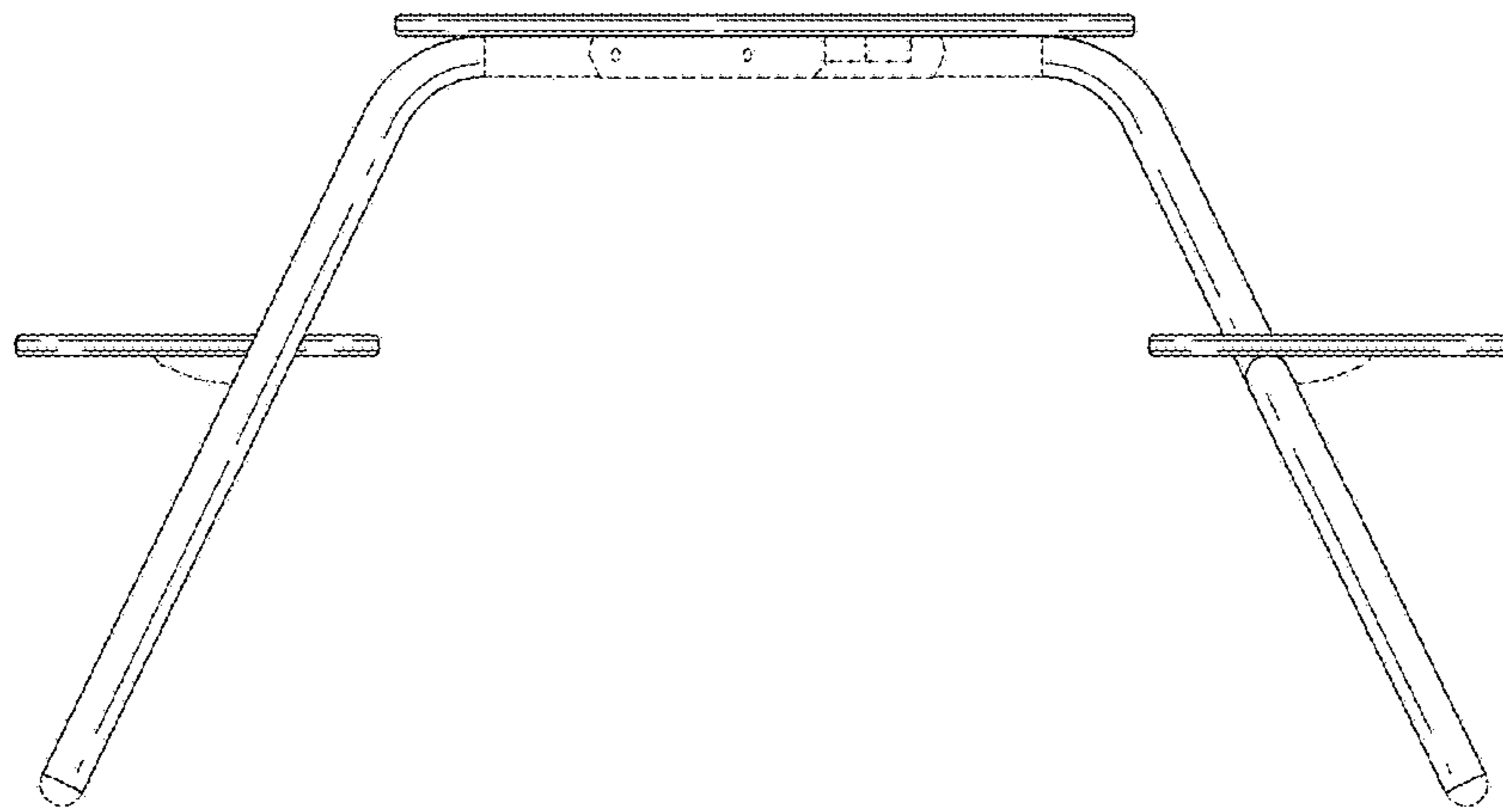


Fig. 3

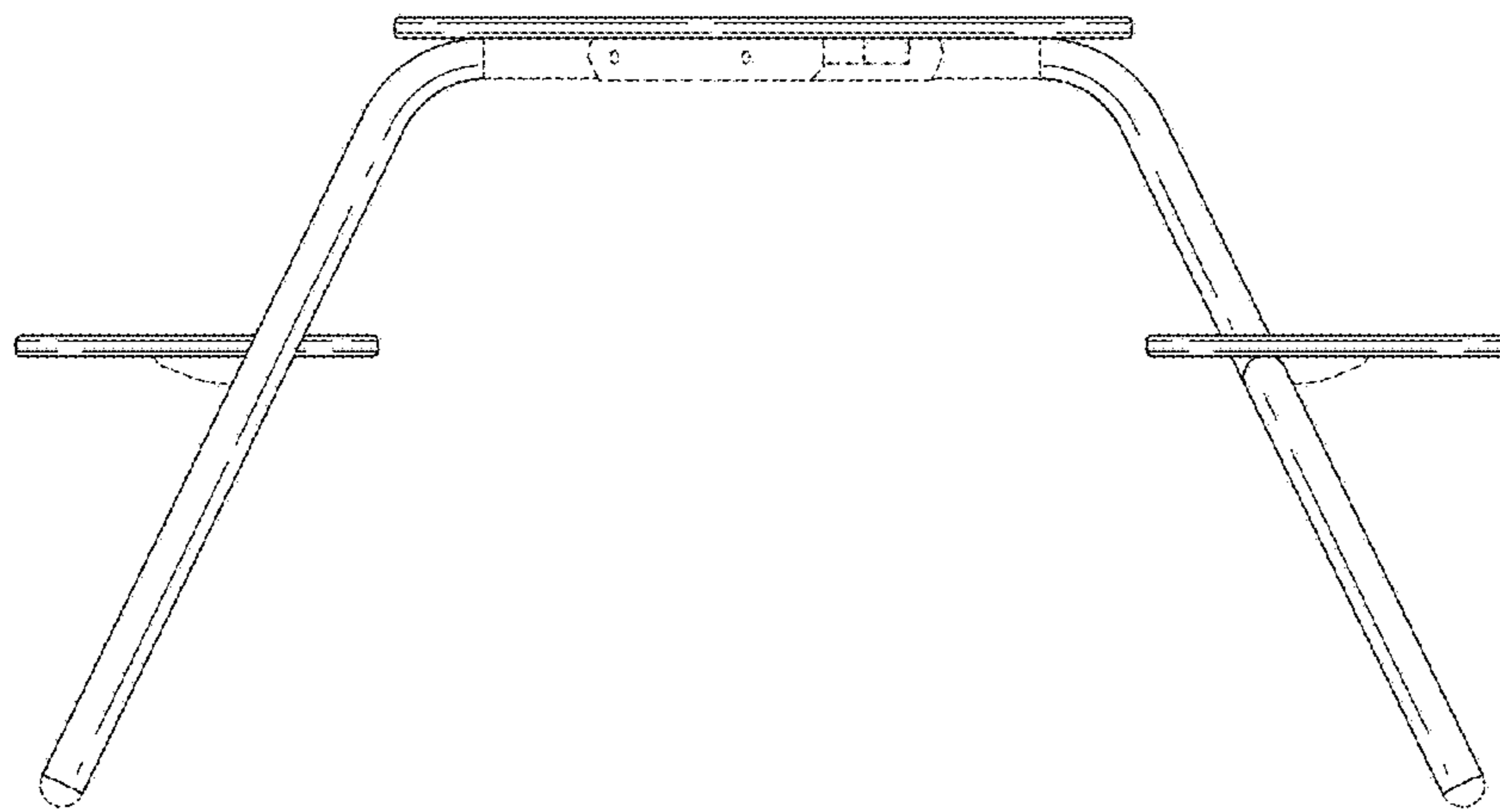


Fig. 4

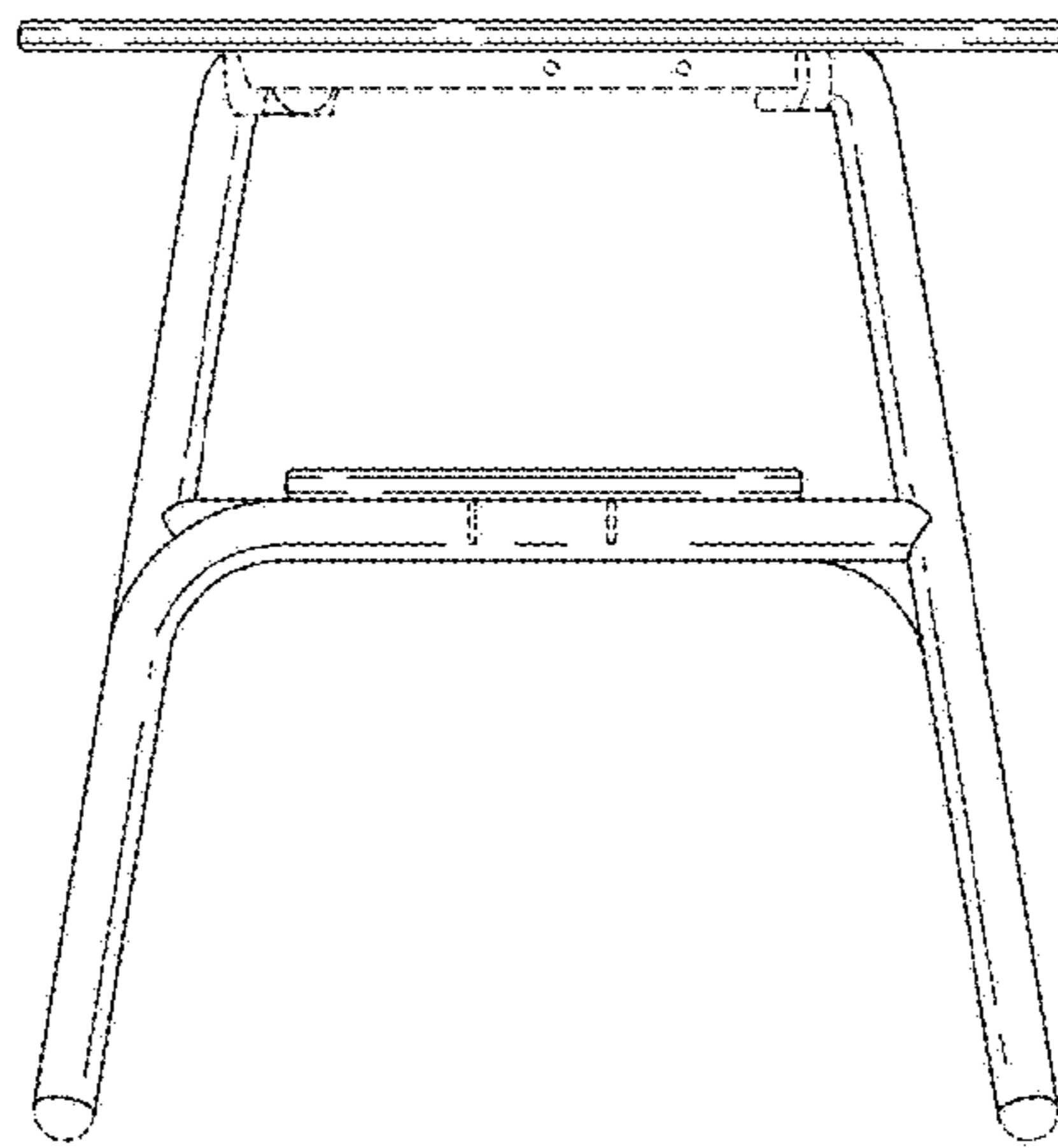


Fig. 5

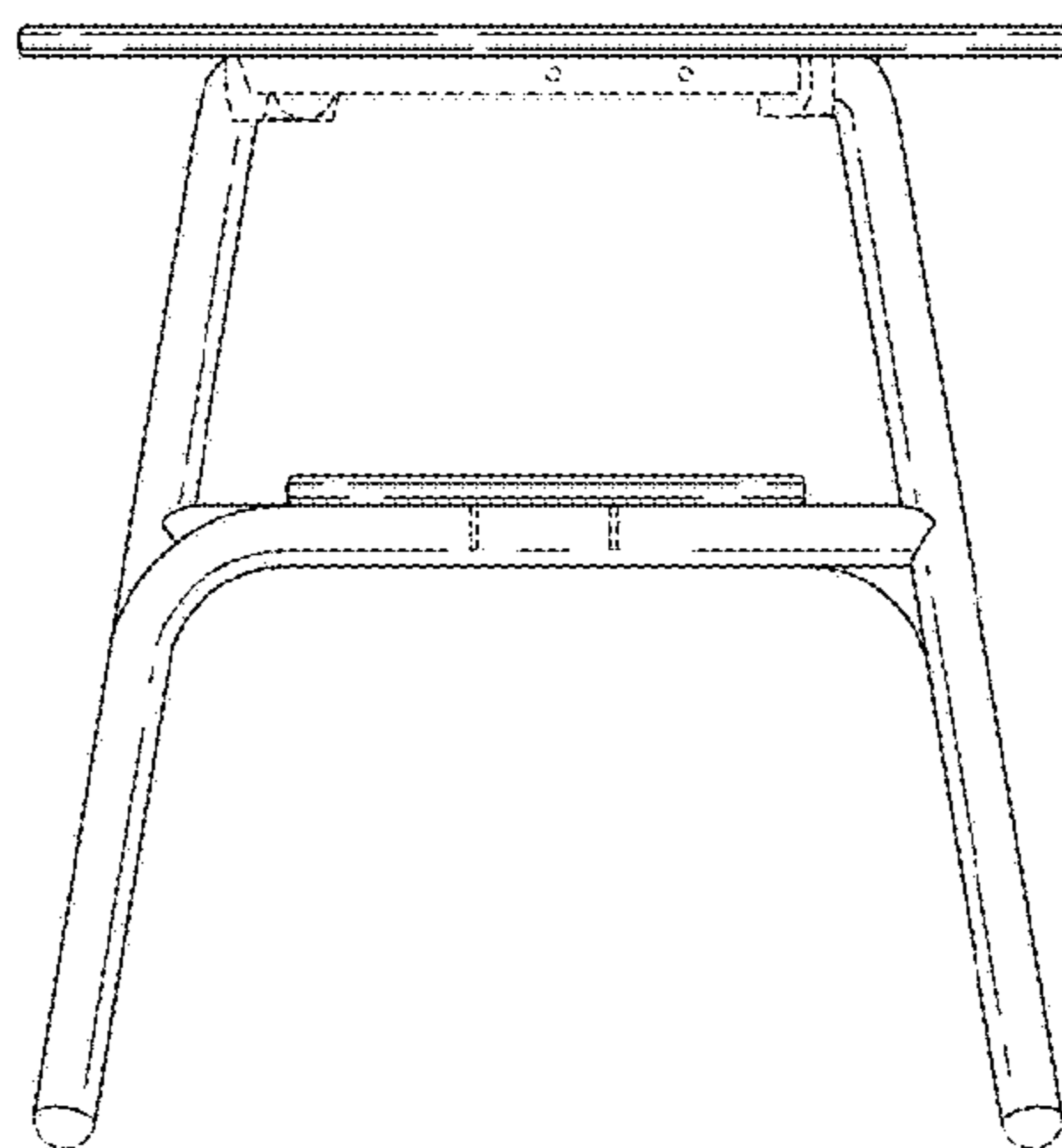


Fig. 6

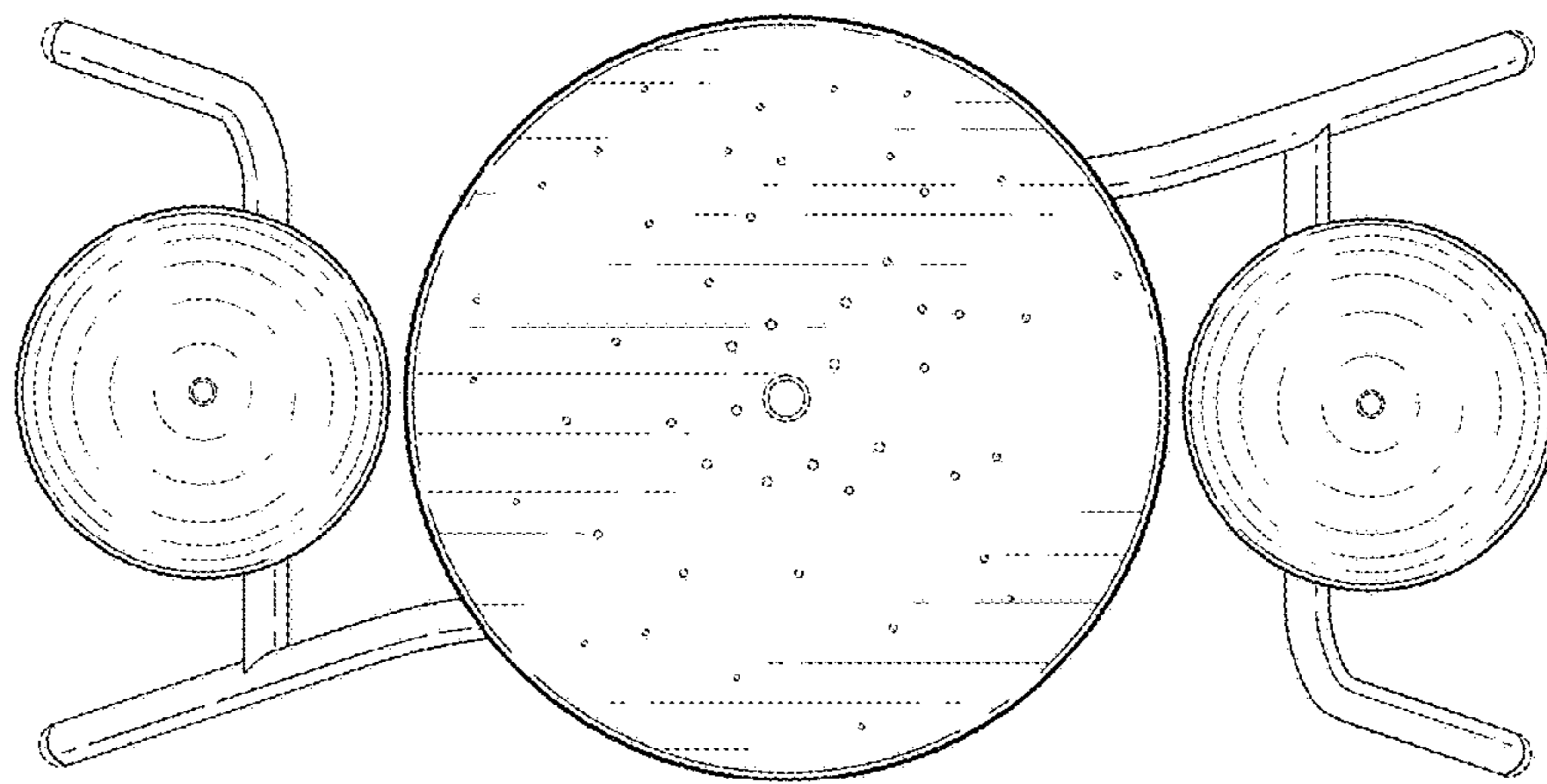


Fig. 7

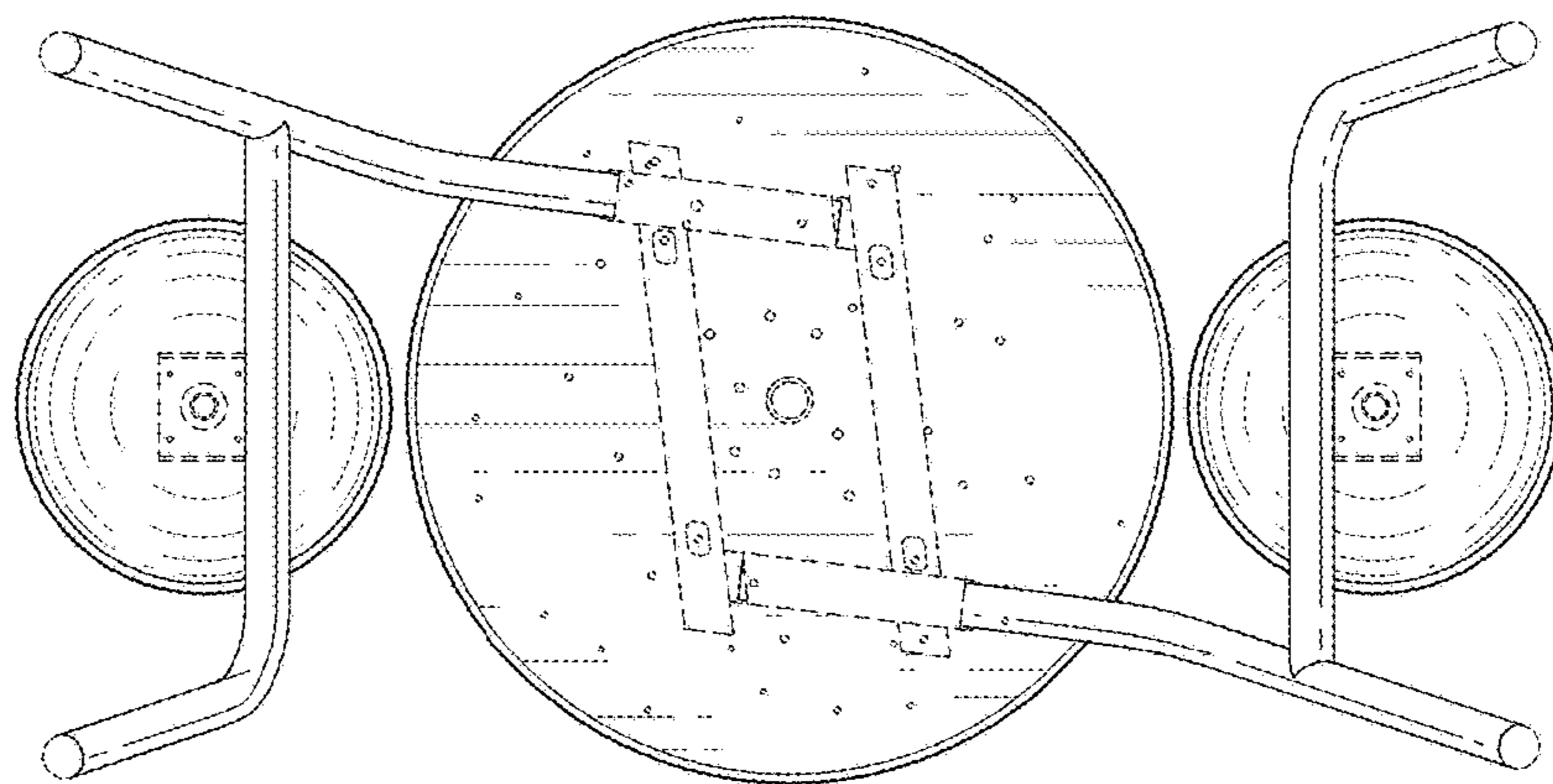


Fig. 8

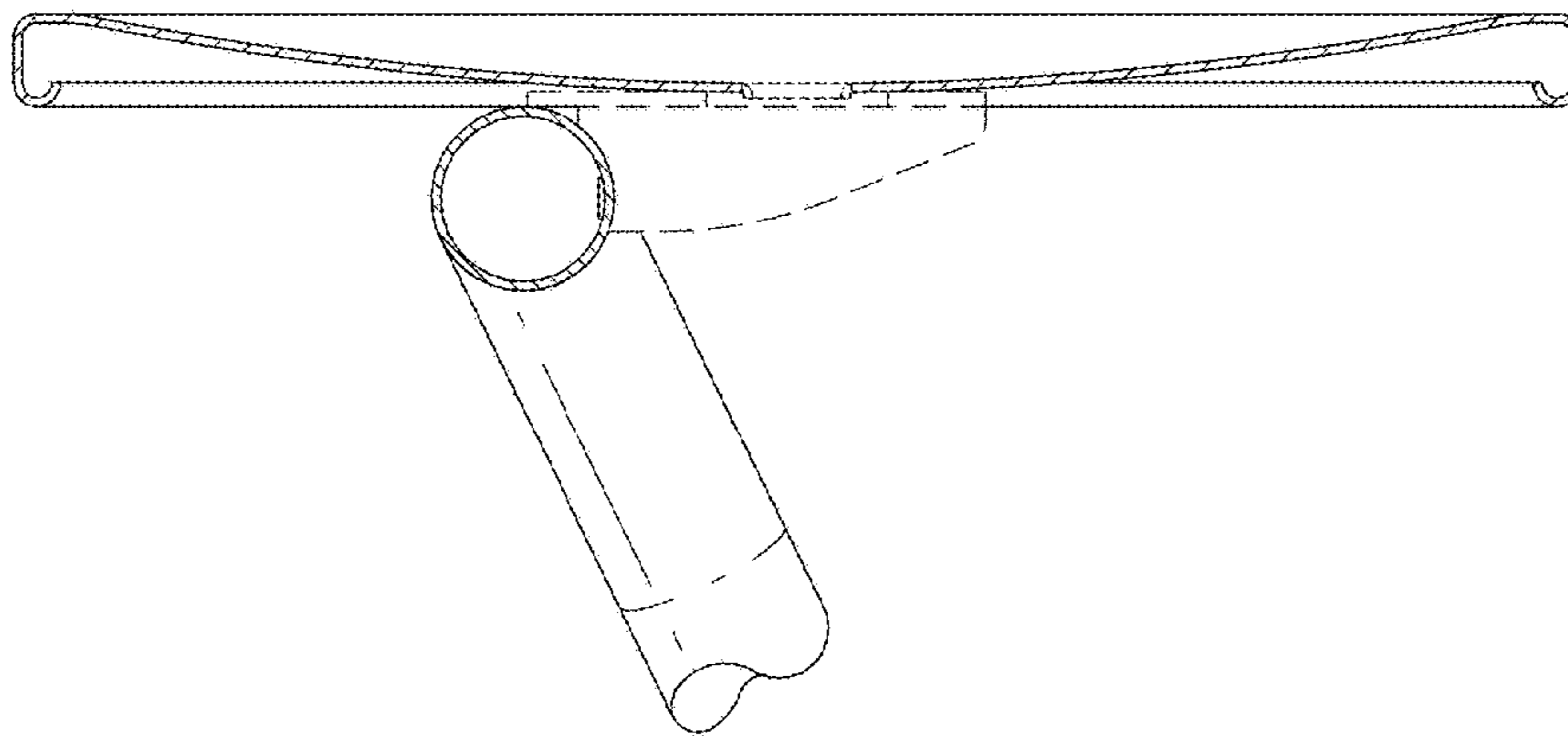


Fig. 9

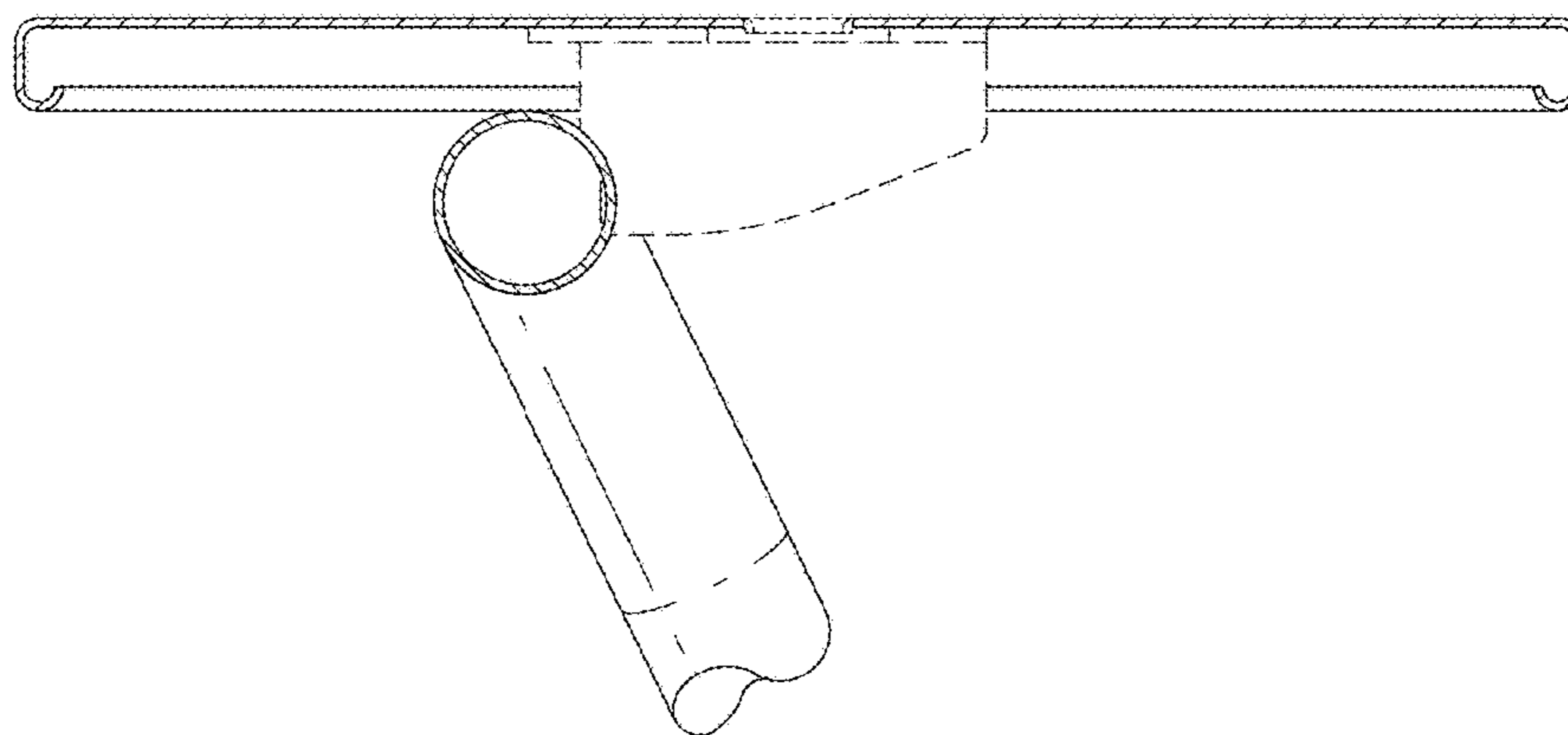


Fig. 10