

US00D841992S

(12) **United States Design Patent**  
**Kershner**

(10) **Patent No.:** **US D841,992 S**

(45) **Date of Patent:** **\*\* Mar. 5, 2019**

(54) **SOFA THAT CONVERTS INTO A BED**

(71) Applicant: **Lifestyle Solutions, Inc.**, Fremont, CA (US)

(72) Inventor: **Brandon Kershner**, Hayward, CA (US)

(73) Assignee: **Lifestyle Solutions, Inc.**, Newark, CA (US)

(\*\*) Term: **15 Years**

(21) Appl. No.: **29/610,108**

(22) Filed: **Jul. 10, 2017**

(51) **LOC (11) Cl.** ..... **06-01**

(52) **U.S. Cl.**  
USPC ..... **D6/335; D6/381**

(58) **Field of Classification Search**  
USPC ..... D6/334, 335, 336, 338, 342, 360, 367, D6/368, 369, 371-375, 377, 378, 381, D6/382, 383  
CPC ..... A47D 11/005; A47C 4/02; A47C 17/04; A47C 17/045; A47C 17/12; A47C 17/13; A47C 17/16; A47C 17/22; A47C 17/32  
See application file for complete search history.

(56) **References Cited**

**U.S. PATENT DOCUMENTS**

D425,711 S *	5/2000	Desombre	.....	D6/334
D443,996 S *	6/2001	Nicoletti	.....	D6/335
D444,305 S *	7/2001	Mourgue	.....	D6/335
D446,962 S *	8/2001	Mourgue	.....	D6/335
D495,514 S *	9/2004	Ricci	.....	D6/334
D495,892 S *	9/2004	Ricci	.....	D6/334
D498,075 S *	11/2004	Mourgue	.....	D6/335
D548,997 S *	8/2007	Nicoletti	.....	D6/381
D572,916 S *	7/2008	Galardo	.....	D6/334
D601,825 S *	10/2009	Starck	.....	D6/381
D603,618 S *	11/2009	Weiss	.....	D6/381
D615,315 S *	5/2010	Andersen	.....	D6/367
D615,316 S *	5/2010	Andersen	.....	D6/367
D618,929 S *	7/2010	Yeong	.....	D6/381

D628,403 S *	12/2010	Starck	.....	D6/381
D635,792 S *	4/2011	Kanthasamy	.....	D6/381
D659,412 S *	5/2012	Arko	.....	D6/334
D662,337 S *	6/2012	Arko	.....	D6/717
D662,338 S *	6/2012	Arko	.....	D6/717
D675,460 S *	2/2013	Kanthasamy	.....	D6/381
D676,680 S *	2/2013	Arko	.....	D6/334
D677,070 S *	3/2013	Kanthasamy	.....	D6/381

(Continued)

*Primary Examiner* — Deanna L Pratt

(74) *Attorney, Agent, or Firm* — Dykema Gossett P.L.L.C.

(57) **CLAIM**

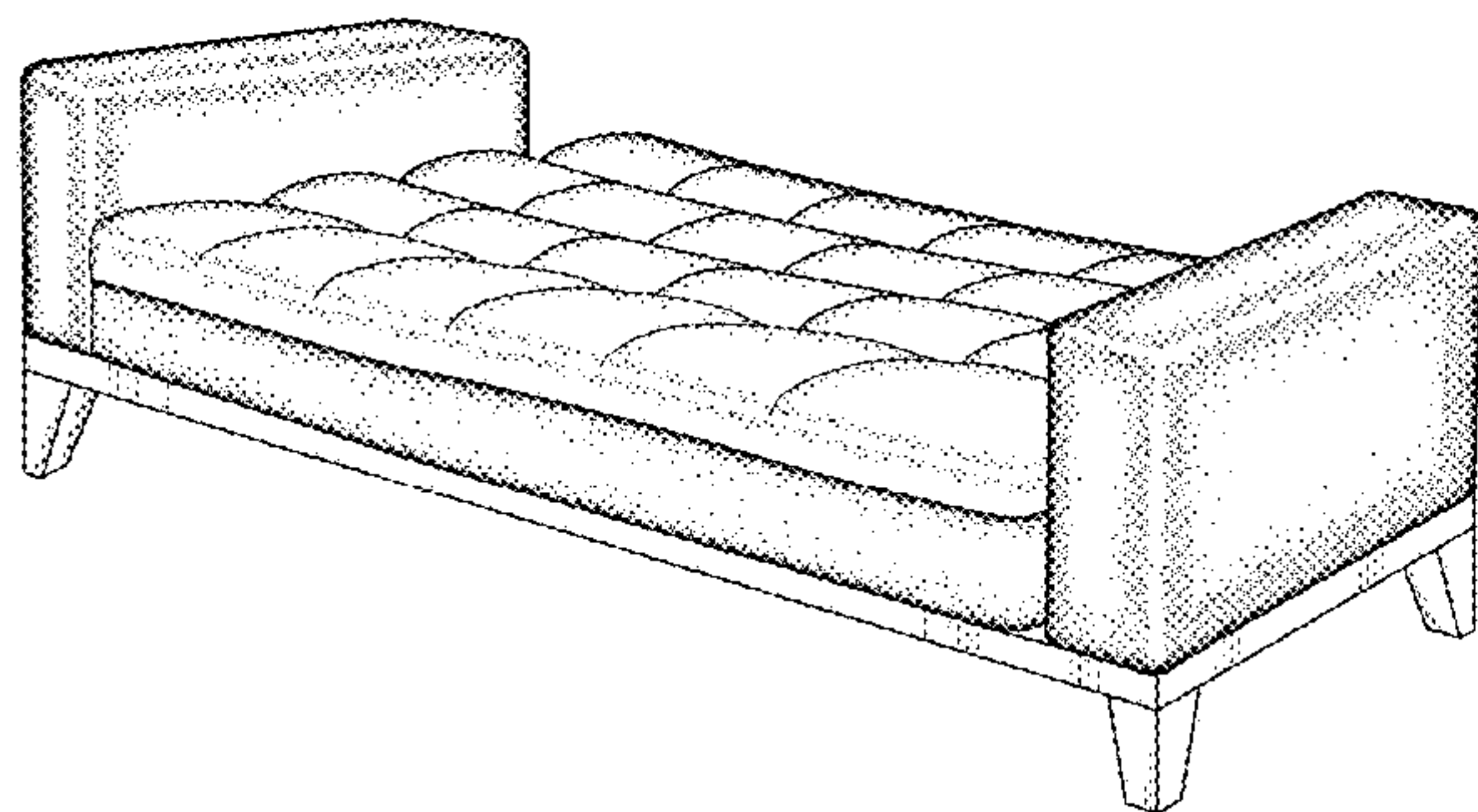
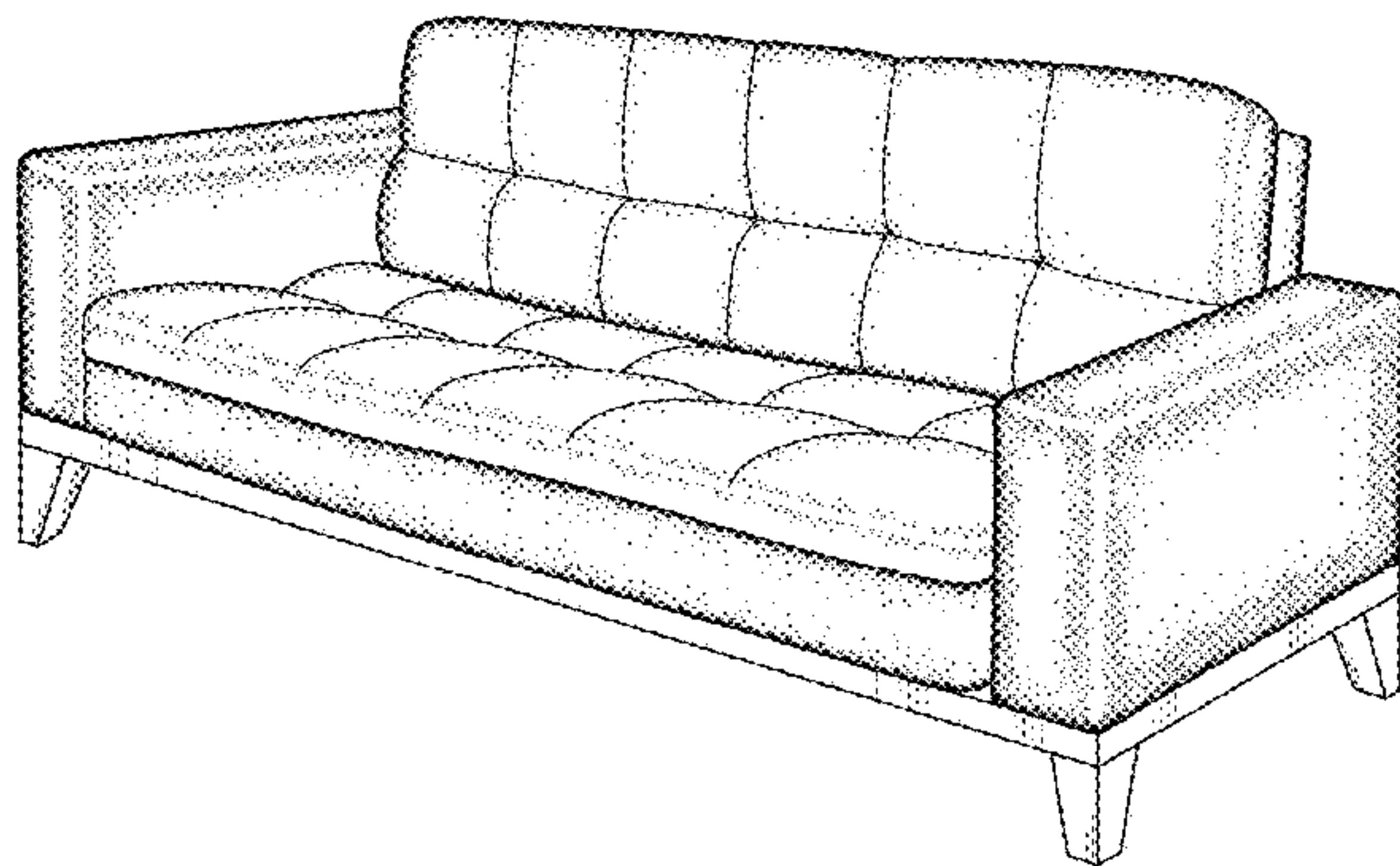
The ornamental design for a sofa that converts into a bed, as shown and described.

**DESCRIPTION**

FIG. 1 is a front perspective view of the sofa that converts into a bed, being in a sofa position;  
 FIG. 2 is a front perspective view of the sofa that converts into a bed, being in a lounge position;  
 FIG. 3 is a front perspective view of the sofa that converts into a bed, being in a bed position;  
 FIG. 4 is a front perspective view of the sofa that converts into a bed, being in a sofa position;  
 FIG. 5 is a side view of the sofa that converts into a bed, being in a bed position;  
 FIG. 6 is a side view of the sofa that converts into a bed, being in a bed position;  
 FIG. 7 is a top view of the sofa that converts into a bed, being in a bed position;  
 FIG. 8 is a back view of the sofa that converts into a bed, being in a sofa position view; and,  
 FIG. 9 is a bottom view of the sofa that converts into a bed, being in a bed position.

The broken lines shown in the drawings illustrate portions of the sofa that converts into a bed that form no part of the claimed design.

**1 Claim, 8 Drawing Sheets**



(56)

**References Cited**

U.S. PATENT DOCUMENTS

D677,071	S	*	3/2013	Kanhasamy	.....	D6/381
D677,490	S	*	3/2013	Manzoni	.....	D6/381
D686,012	S	*	7/2013	Korb	.....	D6/708
D718,552	S	*	12/2014	Kanhasamy	.....	D6/381
D719,755	S	*	12/2014	Kanhasamy	.....	D6/381
D720,150	S	*	12/2014	Tanzer	.....	D6/334
D720,944	S	*	1/2015	Barber	.....	D6/381
D720,945	S	*	1/2015	Sonmez	.....	D6/334
D721,242	S	*	1/2015	Sonmez	.....	D6/381
D798,072	S	*	9/2017	Massaud	.....	D6/334
D799,221	S	*	10/2017	Pathiratne	.....	D6/335
D799,222	S	*	10/2017	Pathiratne	.....	D6/335
D804,834	S	*	12/2017	Kanhasamy	.....	D6/335
D811,100	S	*	2/2018	Andersen	.....	D6/335
D821,778	S	*	7/2018	Andersen	.....	D6/381
2010/0269255	A1	*	10/2010	Kanhasamy	.....	A47C 17/1655 5/37.1

\* cited by examiner

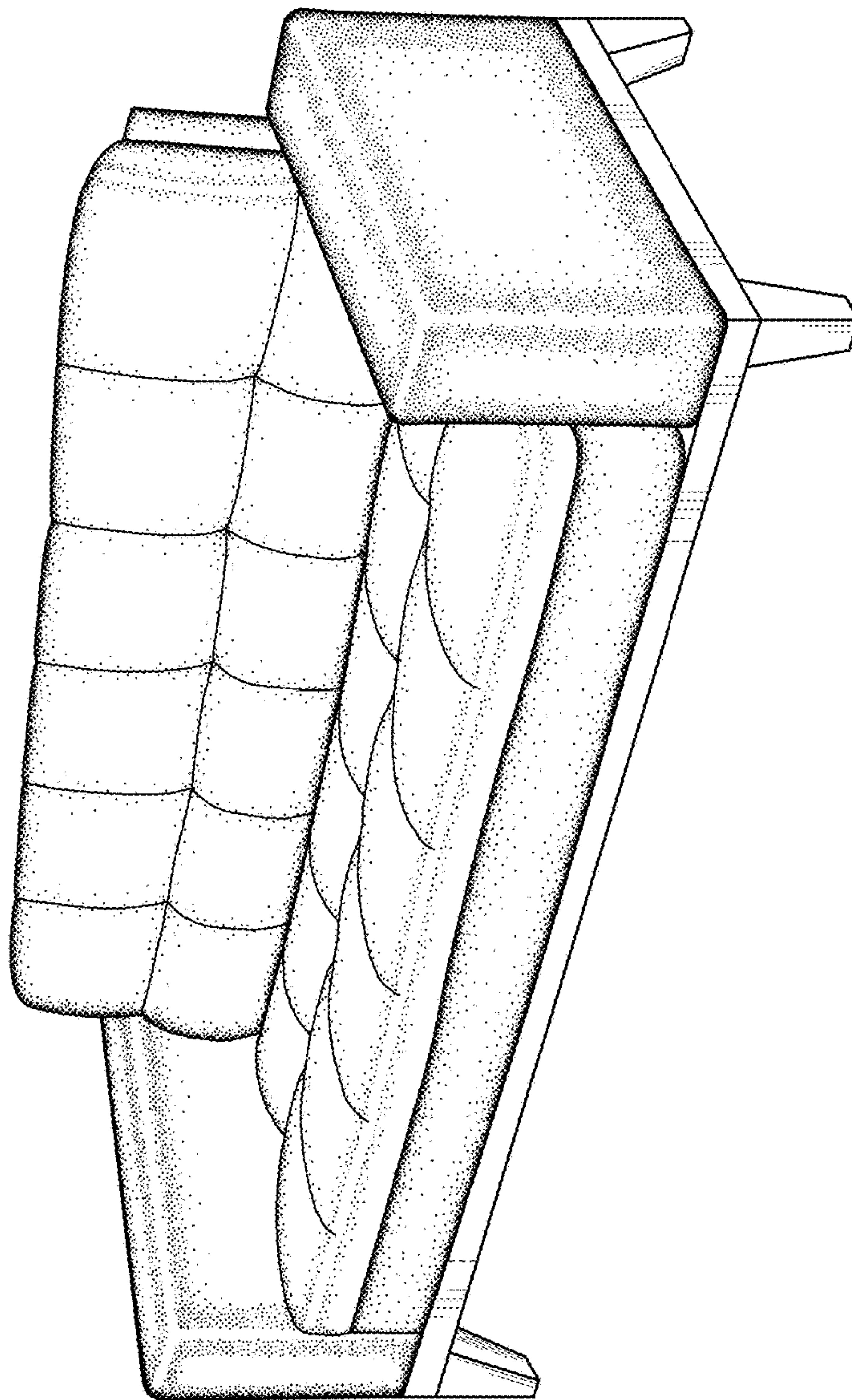


FIG. 1



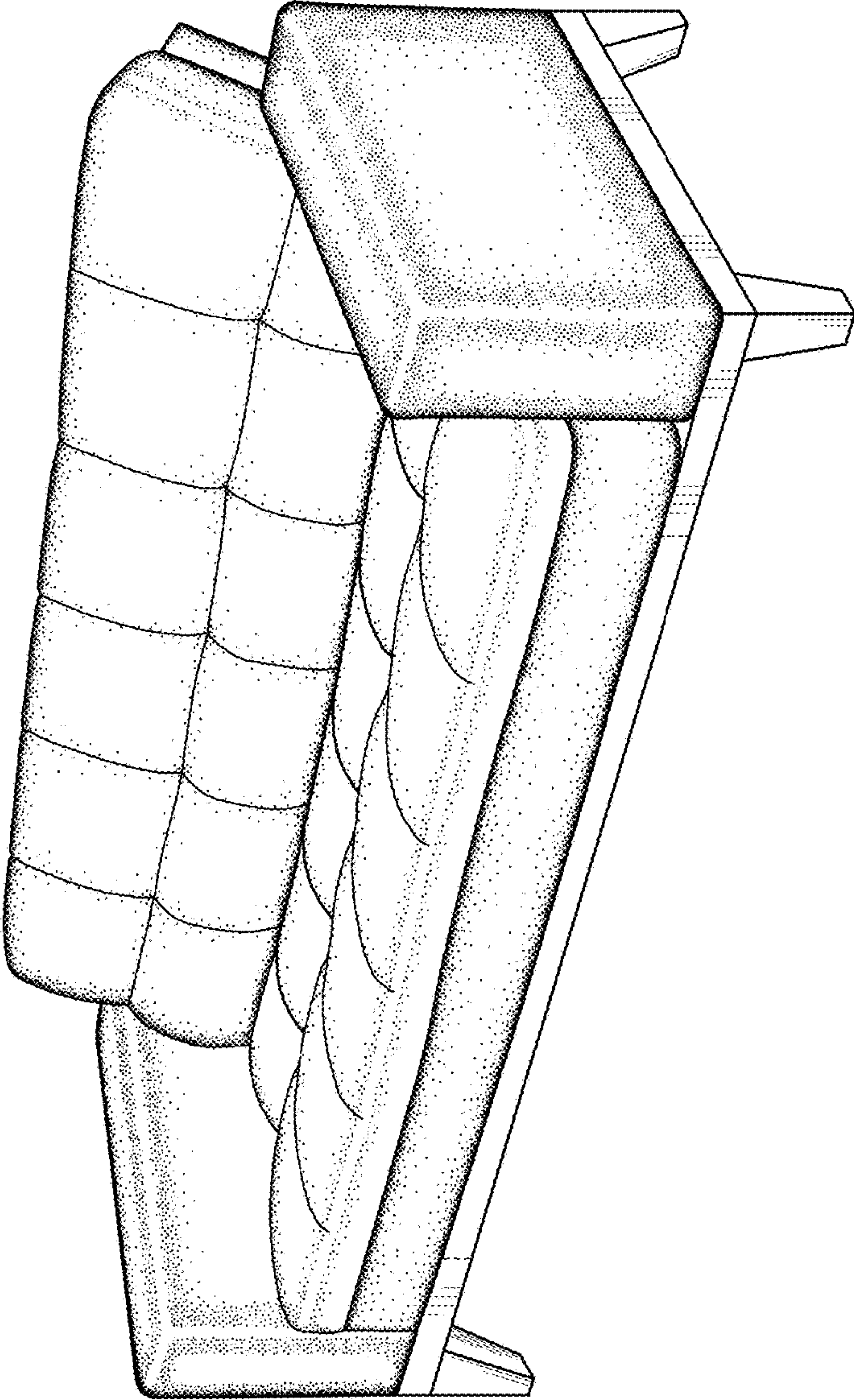


FIG. 2

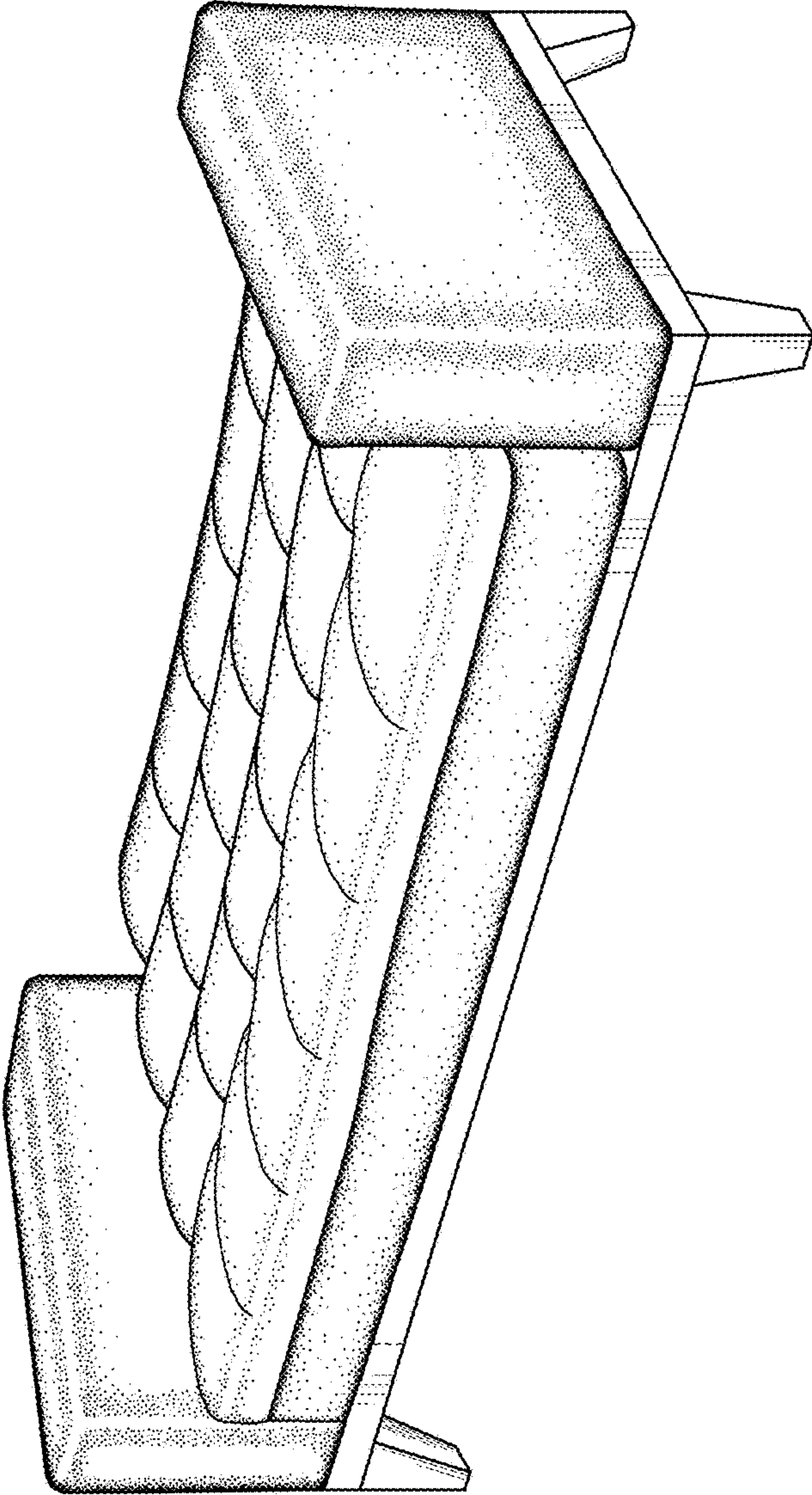


FIG. 3

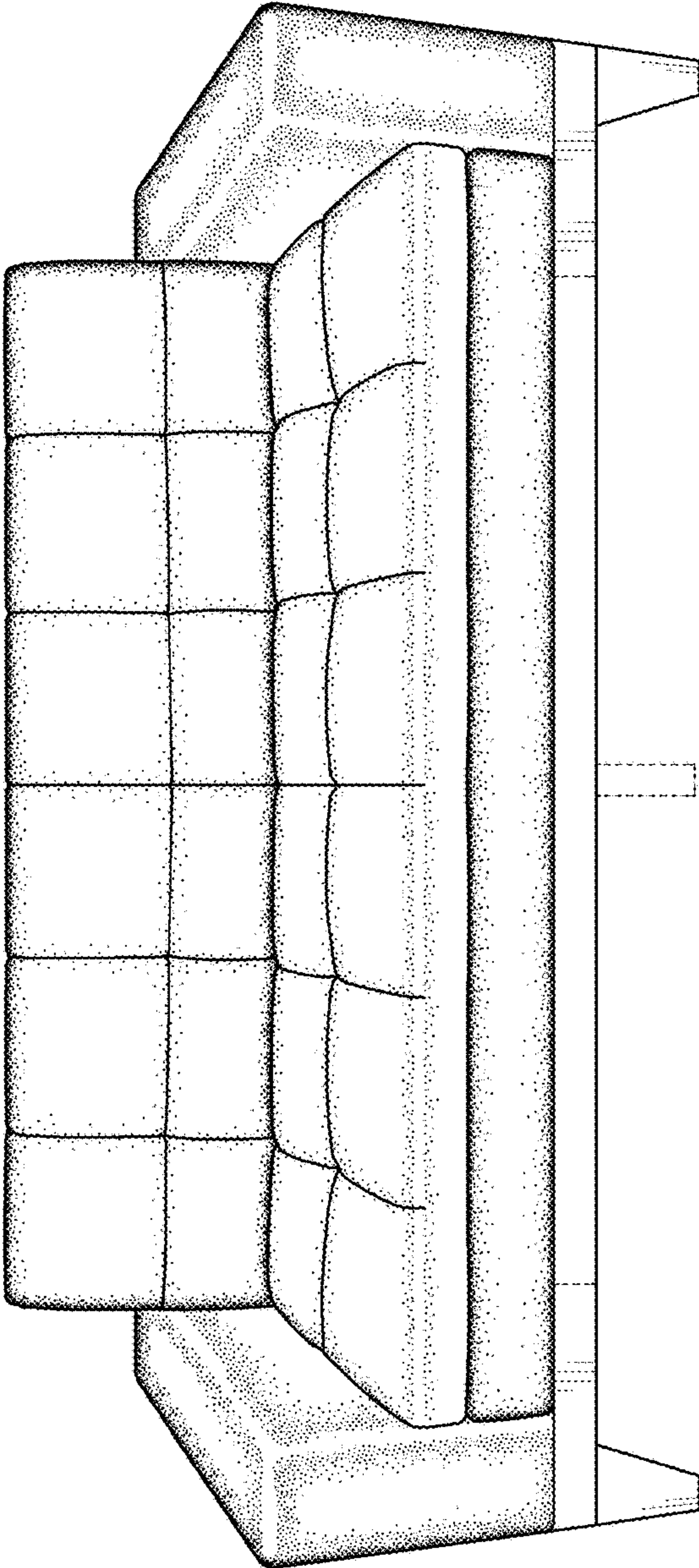


FIG. 4



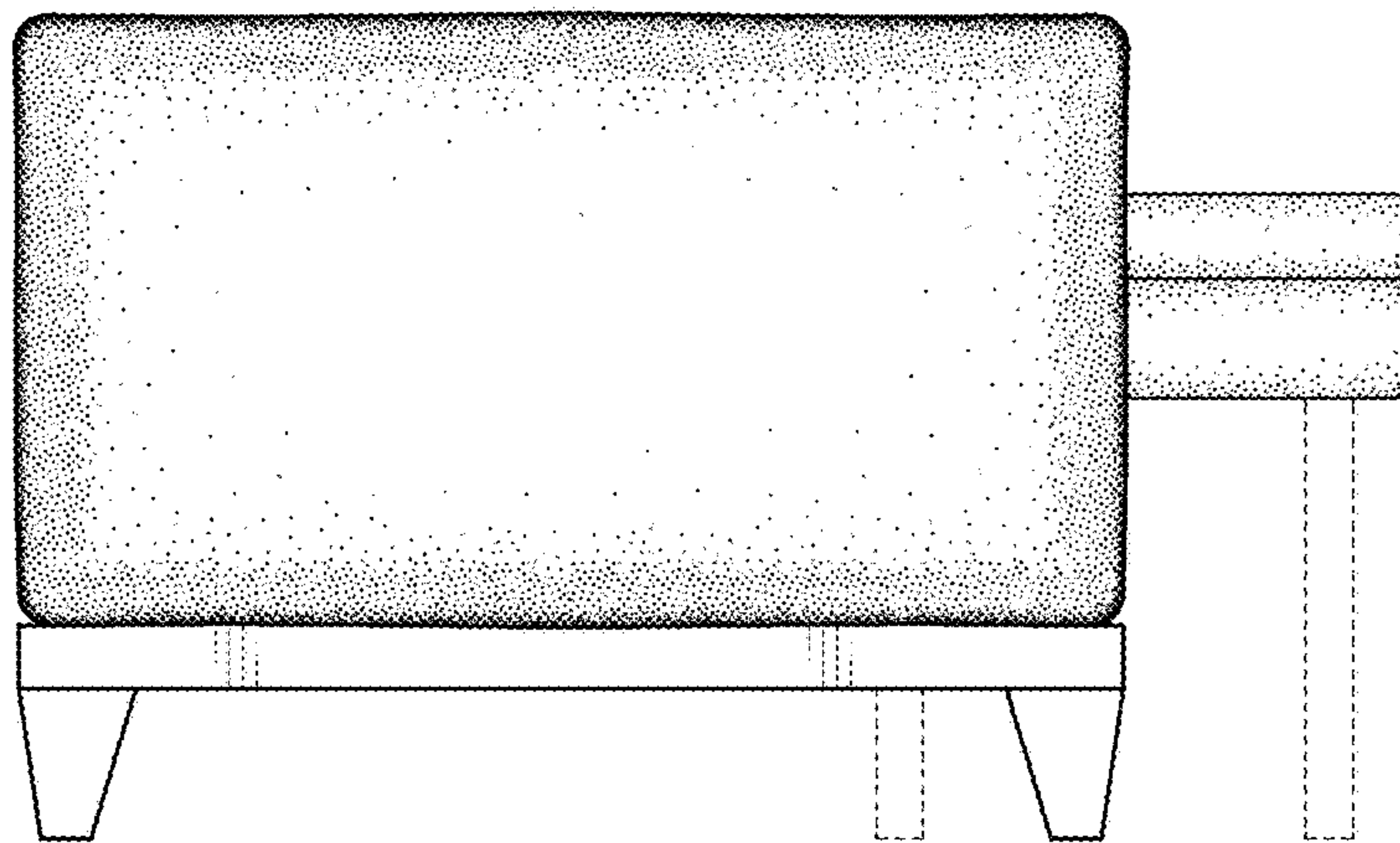


FIG. 5

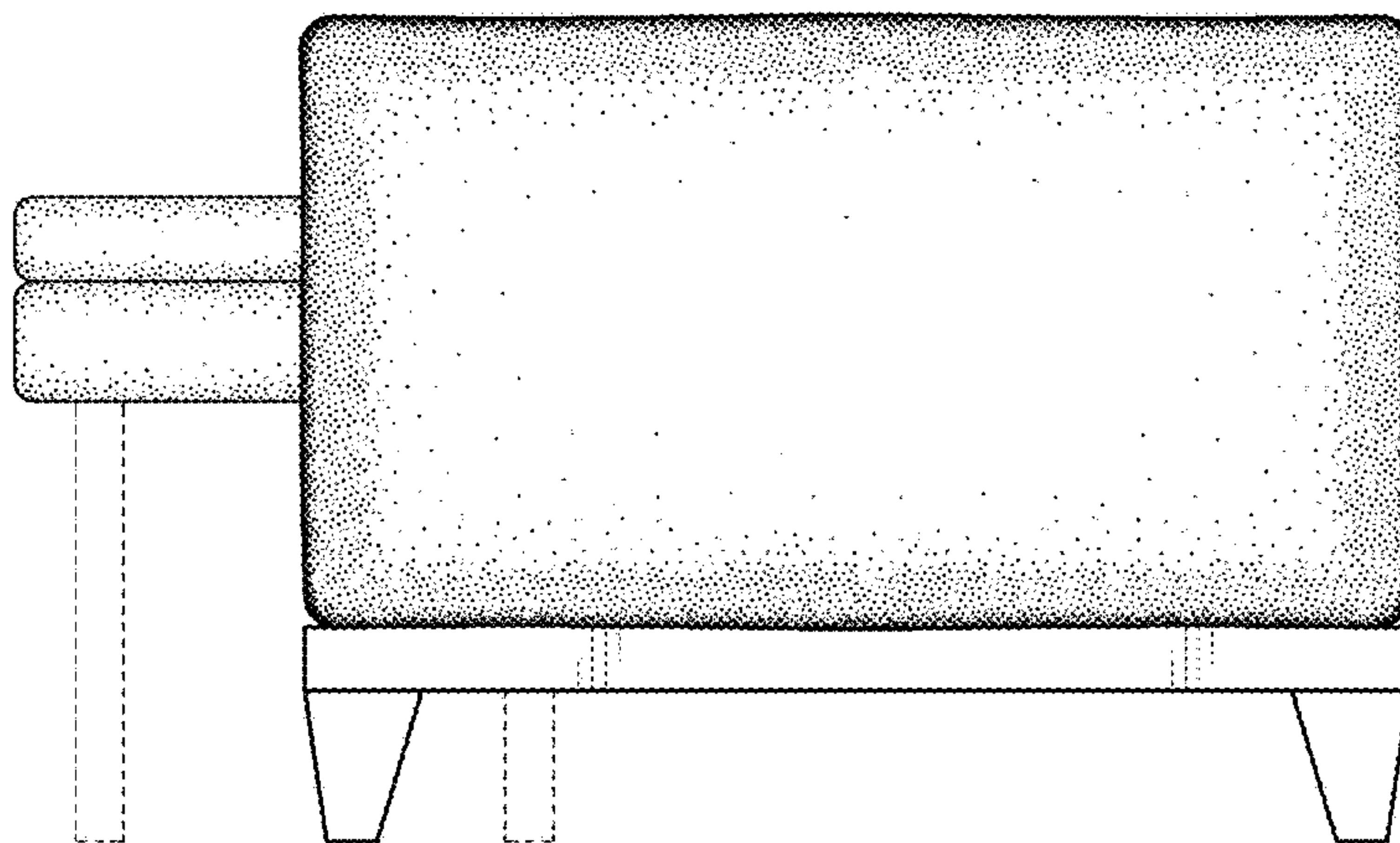


FIG. 6

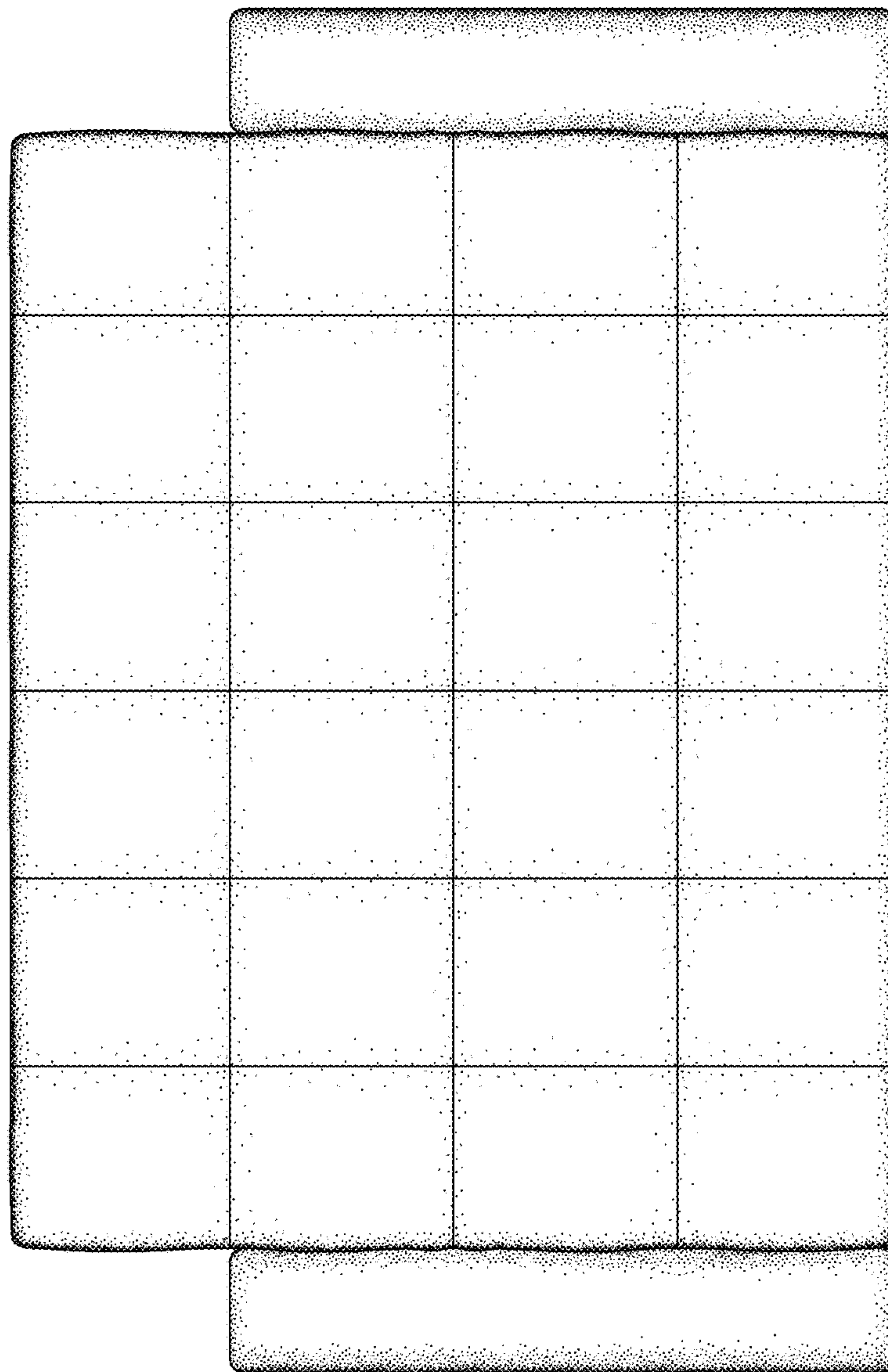


FIG. 7



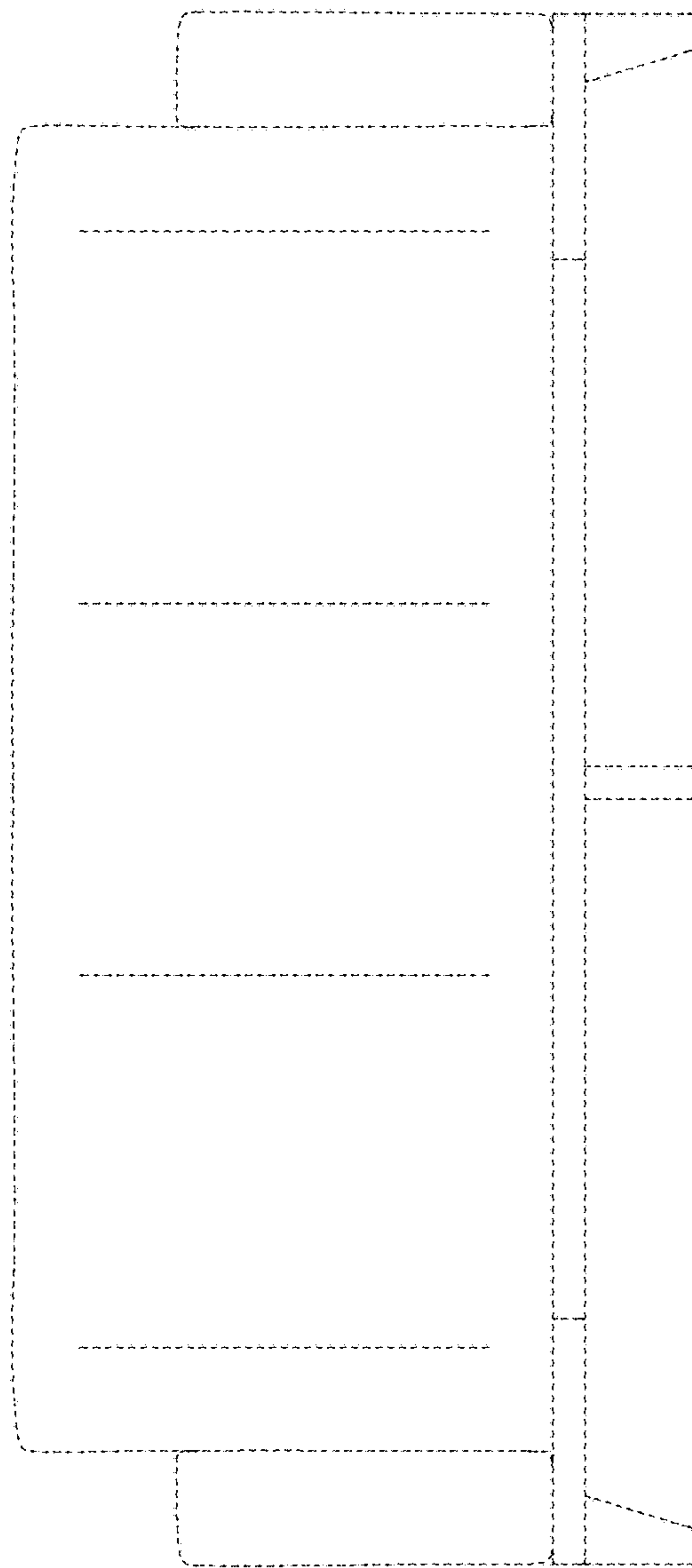


FIG. 8

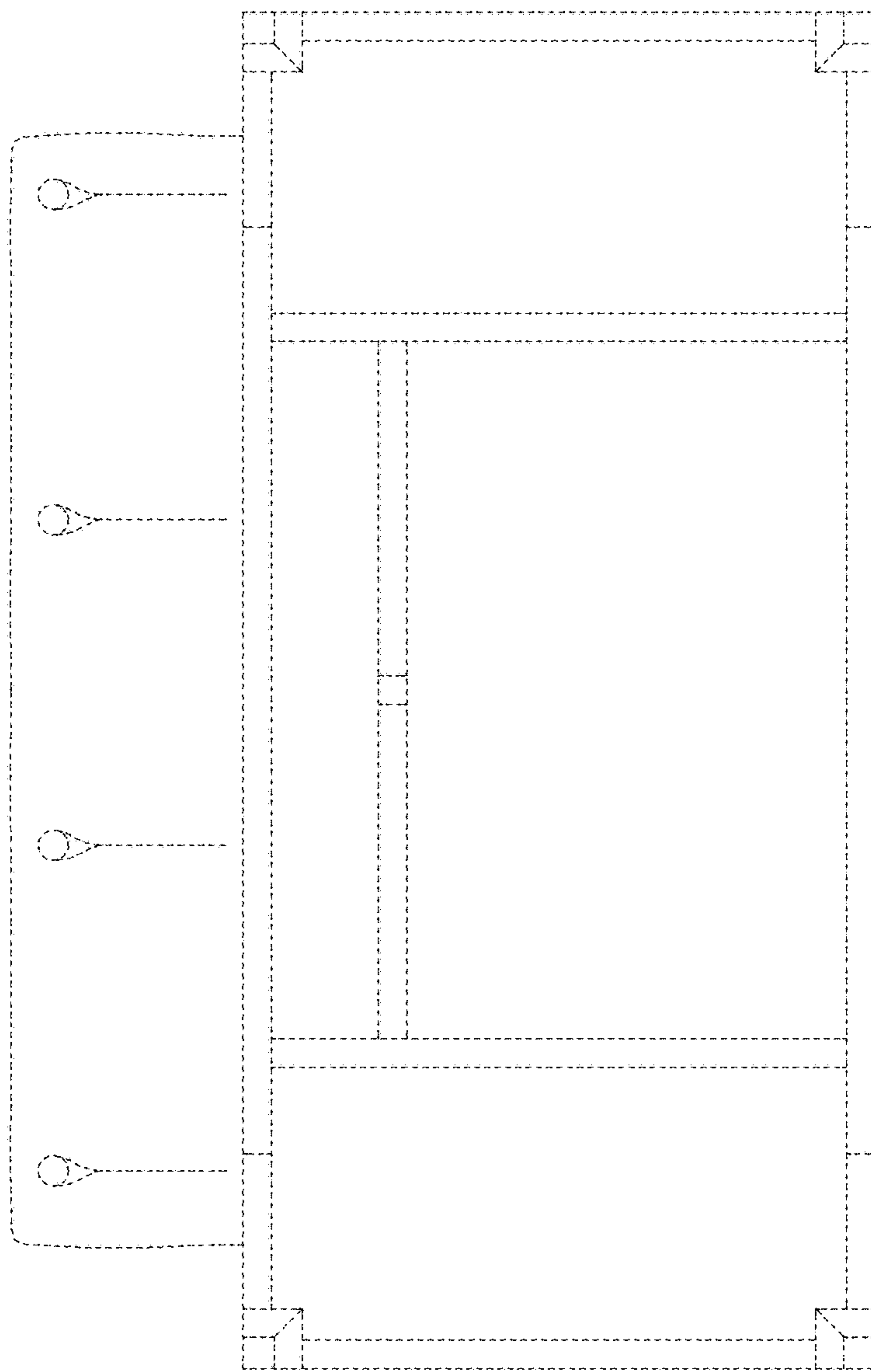


FIG. 9