

US00D841991S

(12) **United States Design Patent** (10) **Patent No.:** **US D841,991 S**
Bowers (45) **Date of Patent:** **** Mar. 5, 2019**

(54) **INFANT CAR SEAT**

(71) Applicant: **Wonderland Switzerland AG,**
Steinhausen (CH)

(72) Inventor: **Patrick J. G. Bowers,** Hockessin, DE
(US)

(73) Assignee: **WONDERLAND SWITZERLAND**
AG, Steinhausen (CH)

(**) Term: **15 Years**

(21) Appl. No.: **29/620,990**

(22) Filed: **Oct. 4, 2017**

(51) **LOC (11) Cl.** **06-01**

(52) **U.S. Cl.**
USPC **D6/333**

(58) **Field of Classification Search**
USPC D6/334-336, 338-339, 491, 333, 716,
D6/716.1-716.7; D12/129; D21/412,
D21/419; 280/30-31; 5/94, 98.1, 99.1,
5/101, 105, 655; 297/183.1-183.4,
297/184.13, 184.15, 184.17, 250.1, 256.1,
297/255, 256.15, 256.16, 174 R, 174 CS,
297/170-173, 136, 148, 27, 61, 68;
4/572.1
CPC B60N 2/2821; B60N 2/02; B60N 2/10;
B60N 2/16; B60N 2/22; B60N 2/26;
B60N 2/24; B60N 2002/0212; B60N
2002/0216; B60N 2002/022; A47D 13/02;
A47D 13/083; A47D 1/00; A47D 1/002;
A47D 1/004; A47D 1/008; A47D 1/04;
B62B 5/00; B62B 5/08

See application file for complete search history.

(56) **References Cited**

U.S. PATENT DOCUMENTS

D376,919 S	*	12/1996	Sedlack	D6/333
D438,716 S	*	3/2001	Longenecker	D6/333
D555,402 S	*	11/2007	Hou	D6/708.19
D692,678 S	*	11/2013	Williams	D6/333
D698,558 S	*	2/2014	Williams	D6/333
D724,852 S	*	3/2015	Giampavolo	D6/333

* cited by examiner

Primary Examiner — Abraham Bahta

(74) *Attorney, Agent, or Firm* — Bacon & Thomas, PLLC

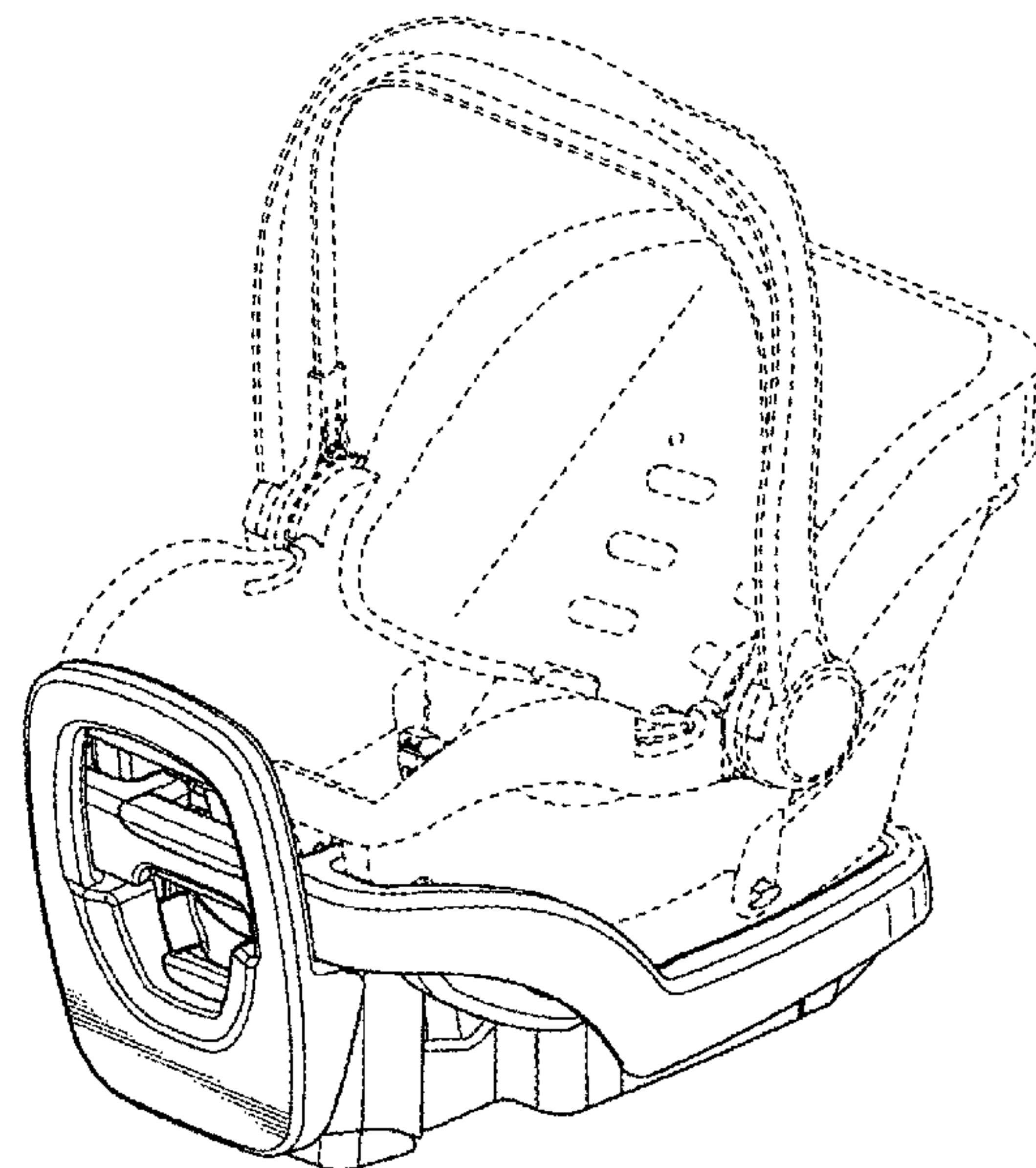
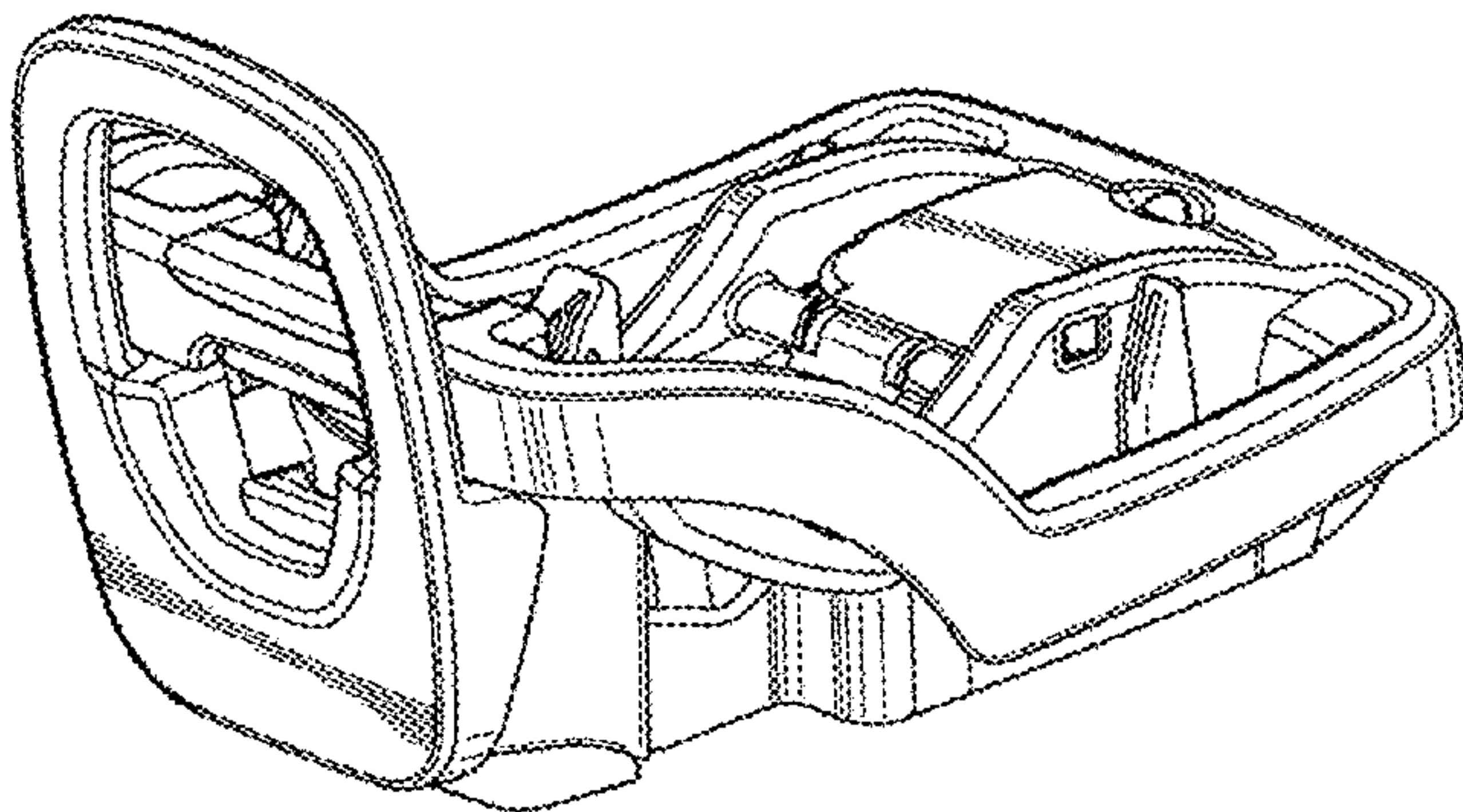
(57) **CLAIM**

The ornamental design for an infant car seat, as shown and described.

DESCRIPTION

FIG. 1 is a perspective view of an infant car seat in accordance with an embodiment of our new design;
FIG. 2 is a front view of FIG. 1;
FIG. 3 is a rear view of FIG. 1;
FIG. 4 is a top view of FIG. 1;
FIG. 5 is a bottom view of FIG. 1;
FIG. 6 is a left side view of FIG. 1;
FIG. 7 is a right side view of FIG. 1;
FIG. 8 is a view showing the infant car seat shown in FIG. 1 in use; and,
FIG. 9 is another view showing the infant car seat shown in FIG. 1 in use.
The broken lines shown in FIG. 9 show environmental structures of the infant car seat and form no part of the claimed design.

1 Claim, 6 Drawing Sheets



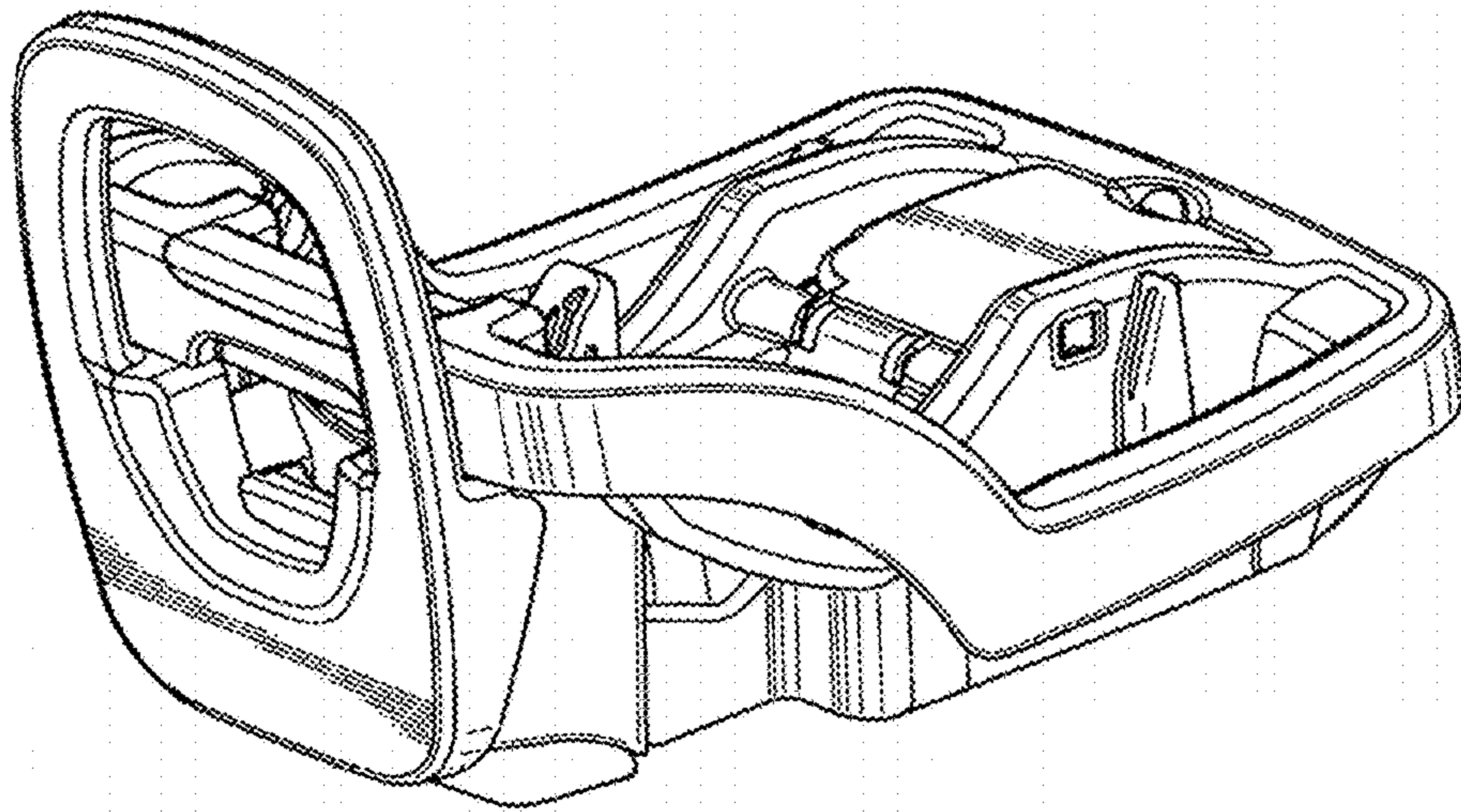


FIG. 1

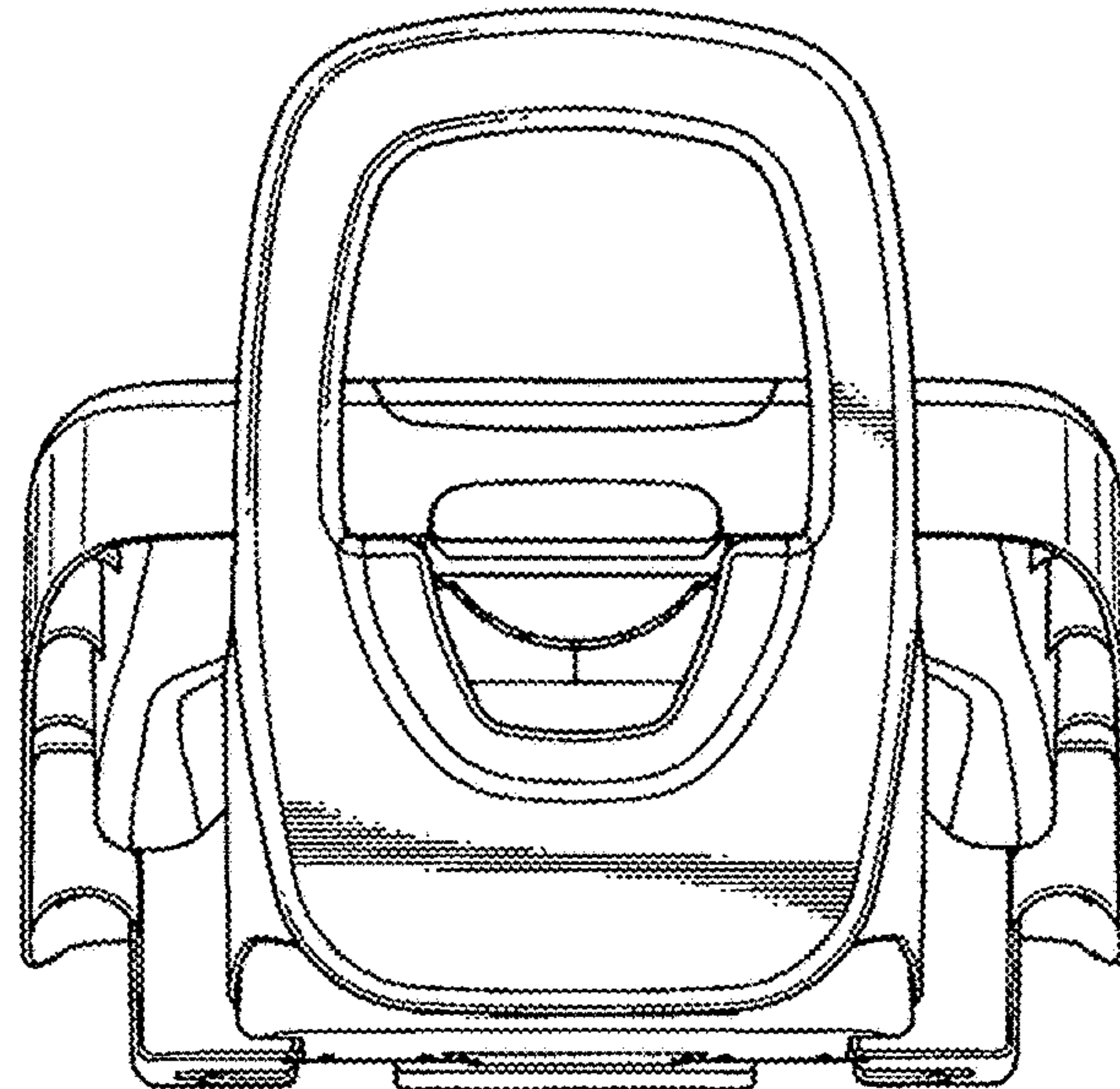


FIG. 2

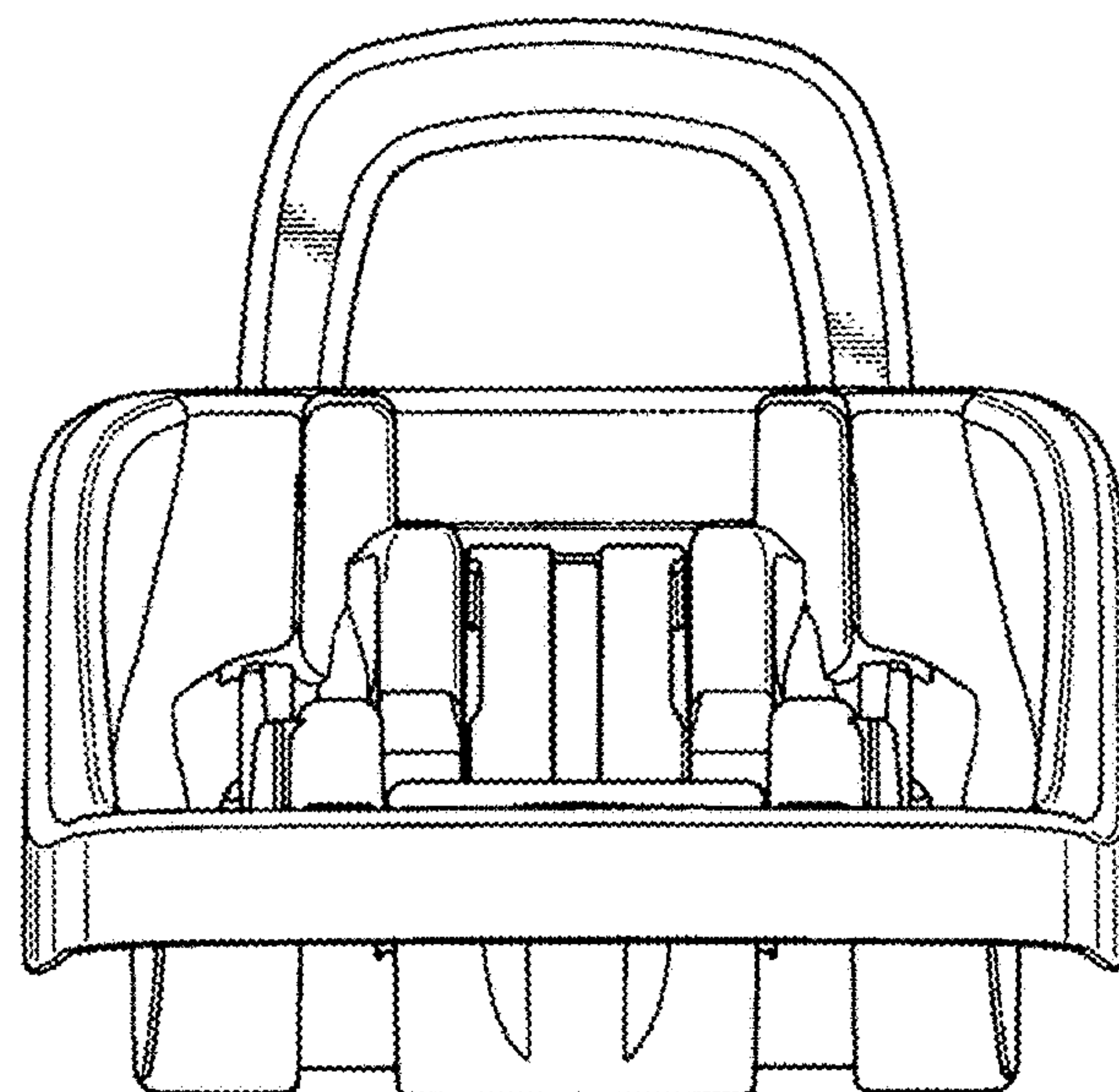


FIG. 3

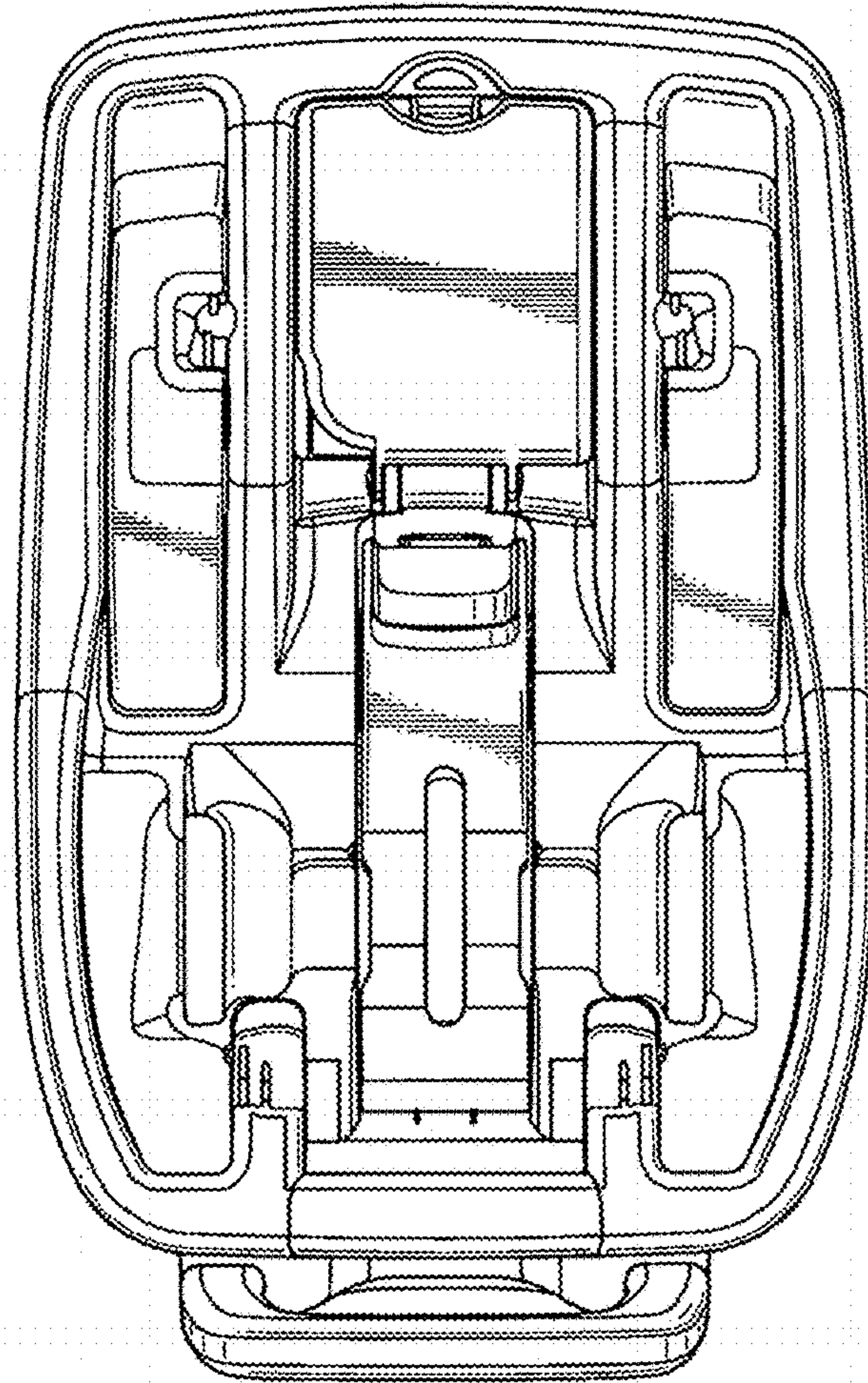


FIG. 4

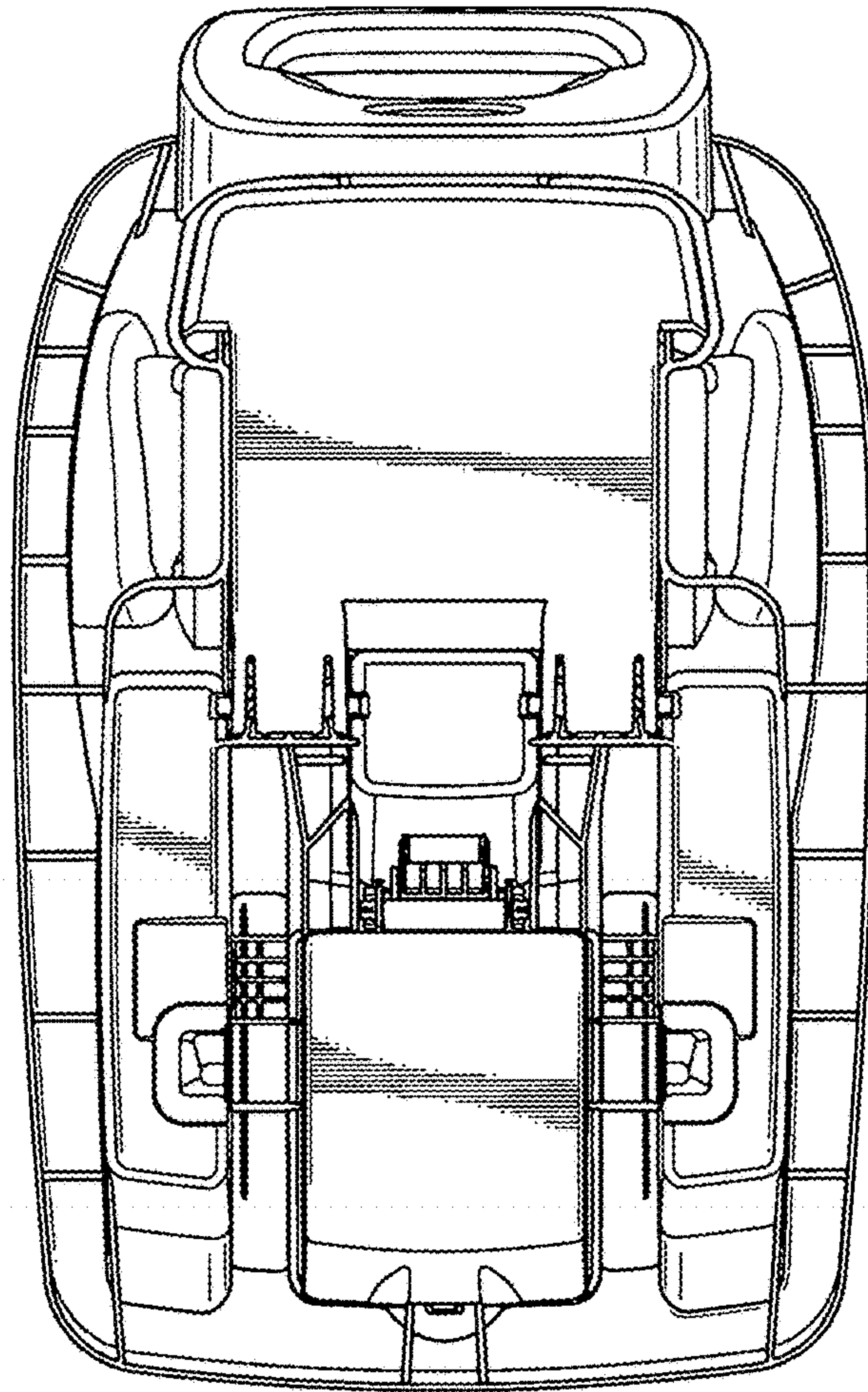


FIG. 5

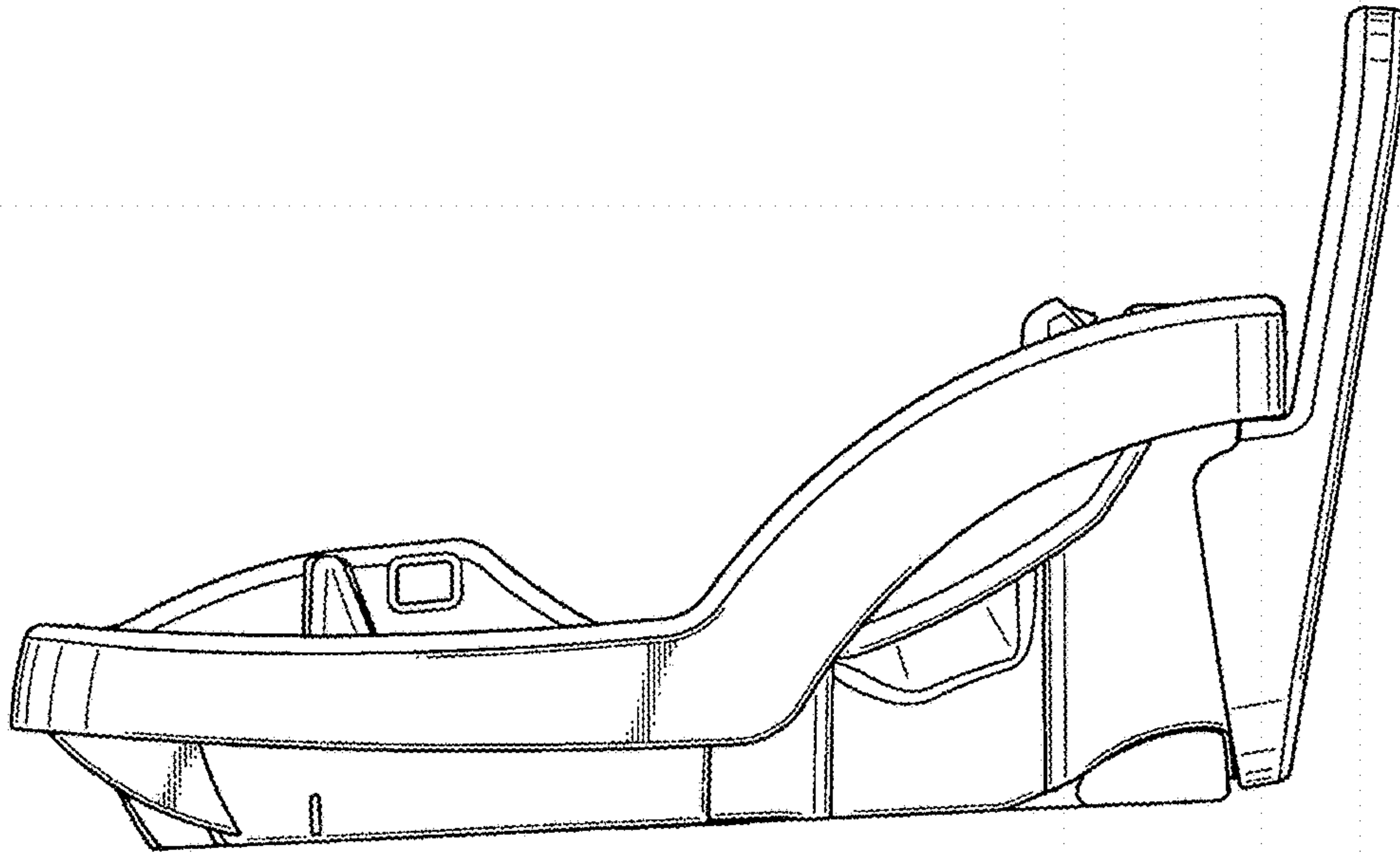


FIG. 6

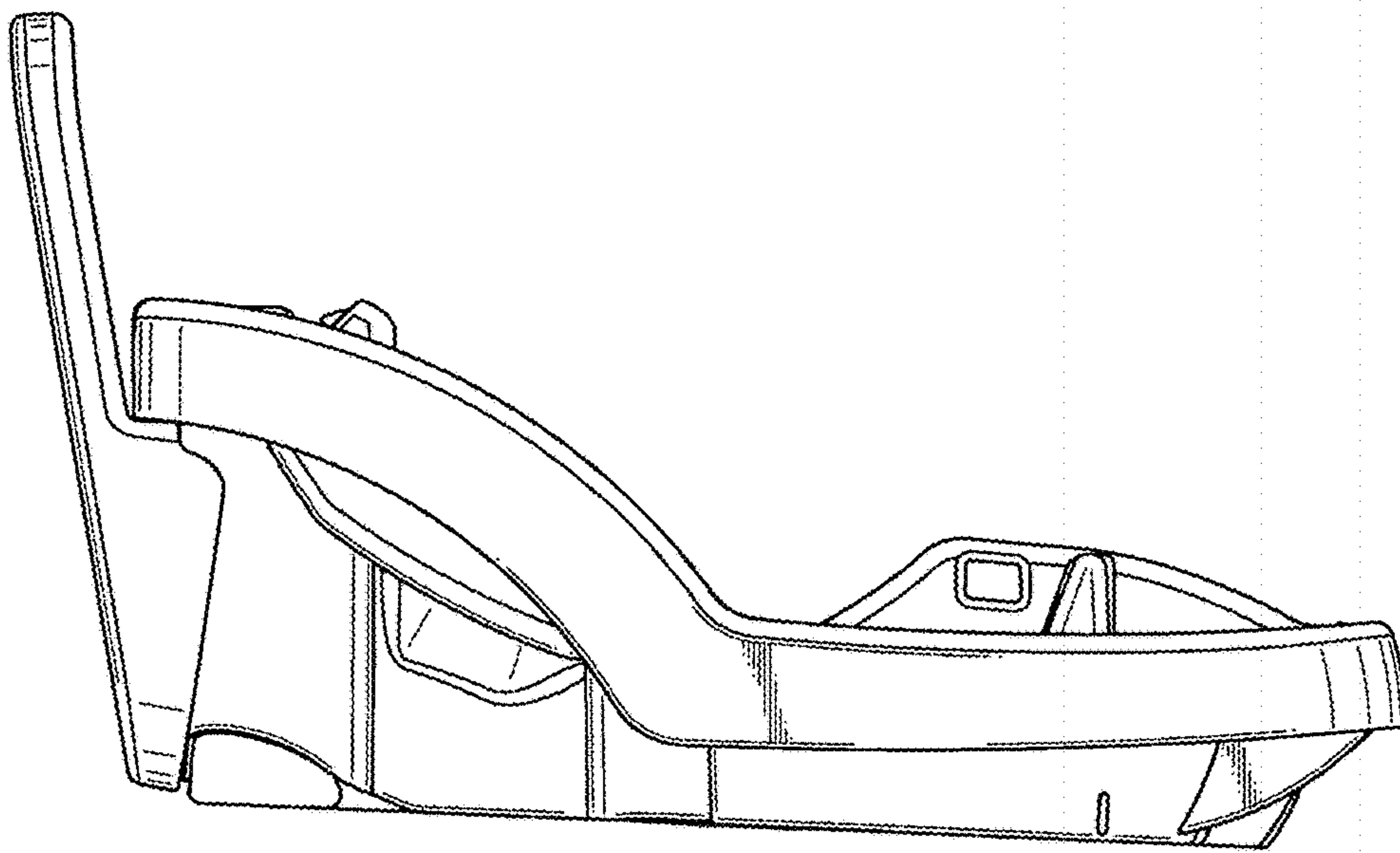


FIG. 7

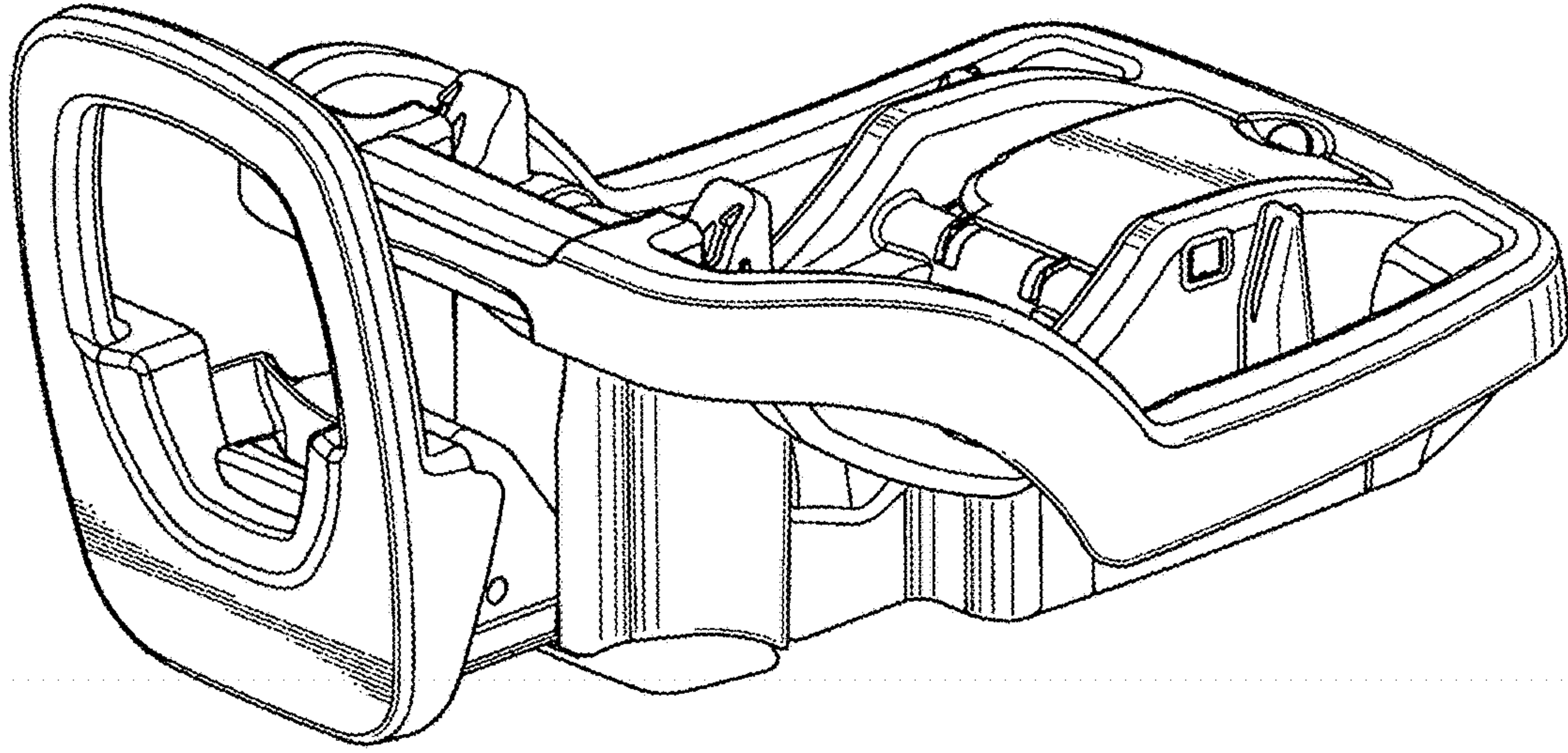


FIG. 8

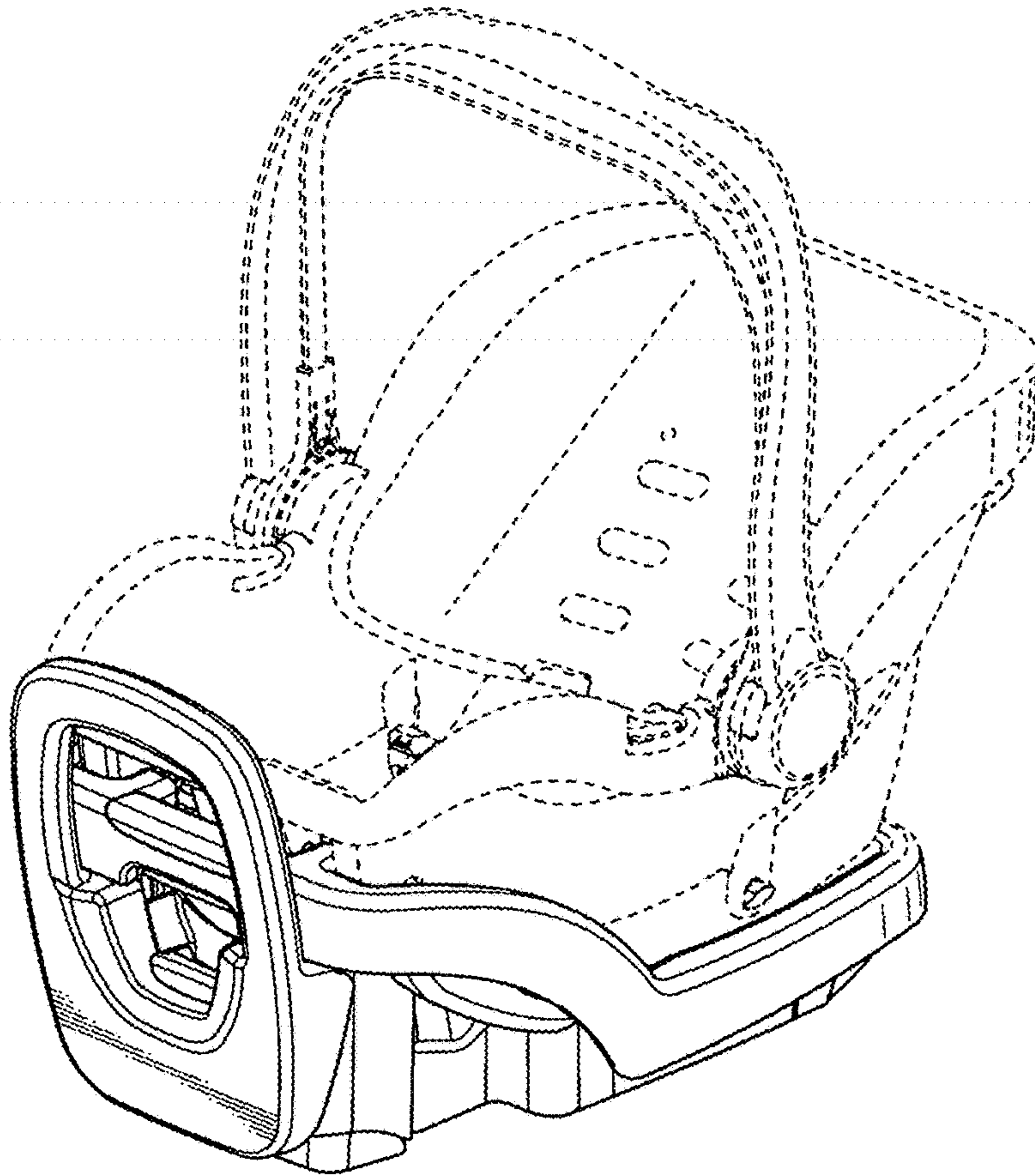


FIG. 9