



US00D841990S

(12) **United States Design Patent**
Liimatainen-Jokinen

(10) **Patent No.:** **US D841,990 S**

(45) **Date of Patent:** **** Mar. 5, 2019**

- (54) **CABINET PICTURE FRAME**
- (71) Applicant: **FINISHFIRE KY**, Espoo (FI)
- (72) Inventor: **Sanna Liimatainen-Jokinen**, Espoo (FI)
- (73) Assignee: **FINISHFIRE KY**, Espoo (FI)
- (**) Term: **15 Years**
- (21) Appl. No.: **29/604,868**
- (22) Filed: **May 22, 2017**
- (51) **LOC (11) Cl.** **06-07**
- (52) **U.S. Cl.**
USPC **D6/300**; D6/663
- (58) **Field of Classification Search**
USPC D6/300-314, 661, 663, 664
CPC A47G 1/06; A47F 3/004; A47B 81/00
See application file for complete search history.

- D637,012 S * 5/2011 Lu D6/661
- D654,703 S * 2/2012 LeMay D6/300
- D668,080 S * 10/2012 Doron D6/661
- 8,833,876 B2 * 9/2014 Lee A47G 1/12
312/227
- D728,977 S * 5/2015 Wittenberg A47G 1/00
D6/663
- 9,647,431 B1 * 5/2017 Collum E05G 1/04
- D796,233 S * 9/2017 Pauley D6/663
- D796,339 S * 9/2017 Pauley D9/663
- 9,854,888 B2 * 1/2018 Nicholson A47G 1/0616
- 2007/0084743 A1 * 4/2007 Chu A47G 1/14
206/455
- 2015/0113846 A1 * 4/2015 Nicholson A47G 1/0616
40/723

* cited by examiner

Primary Examiner — Deanna L Pratt
(74) *Attorney, Agent, or Firm* — Birch, Stewart, Kolasch & Birch, LLP

(57) **CLAIM**

The ornamental design for cabinet picture frame, as shown and described.

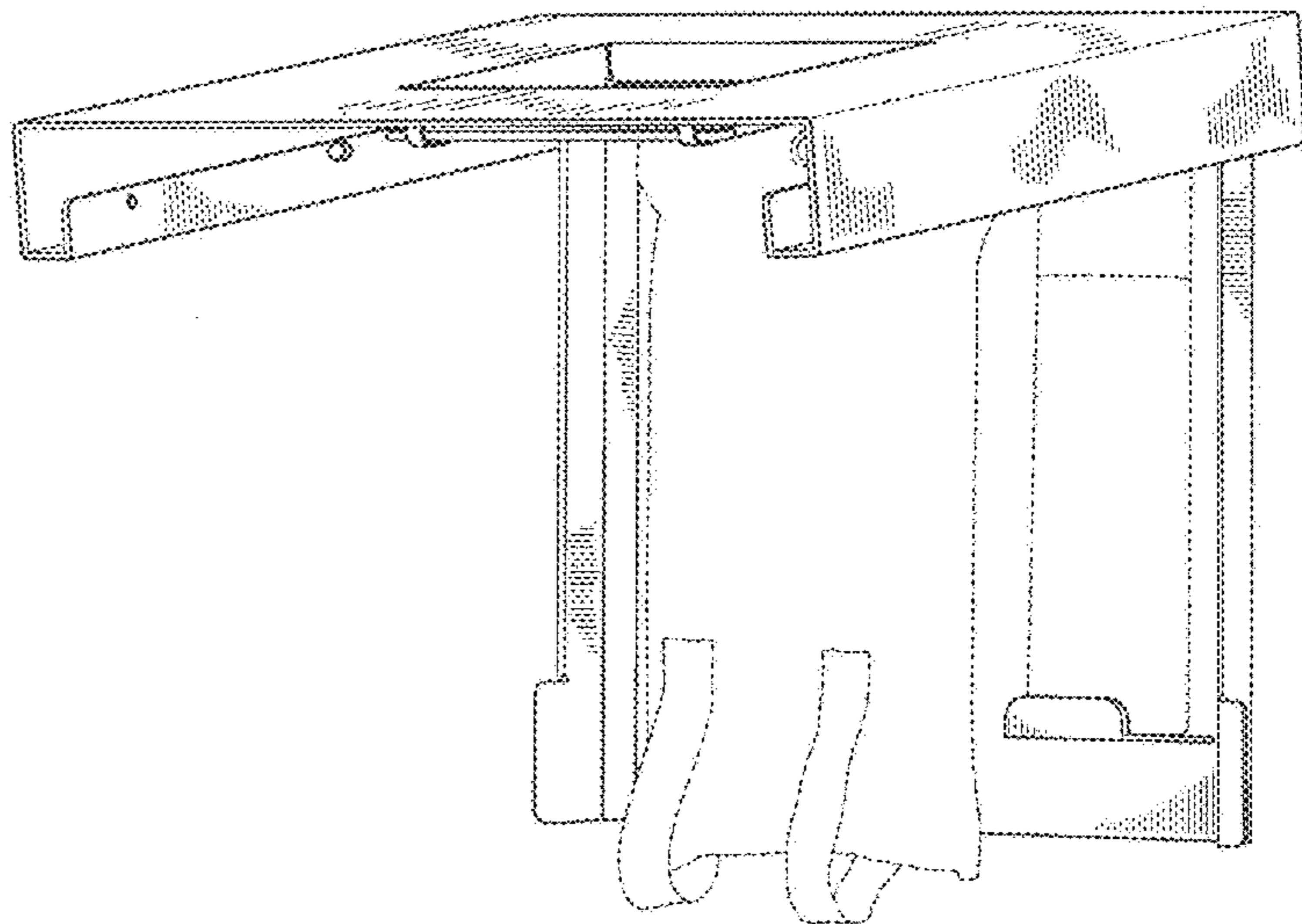
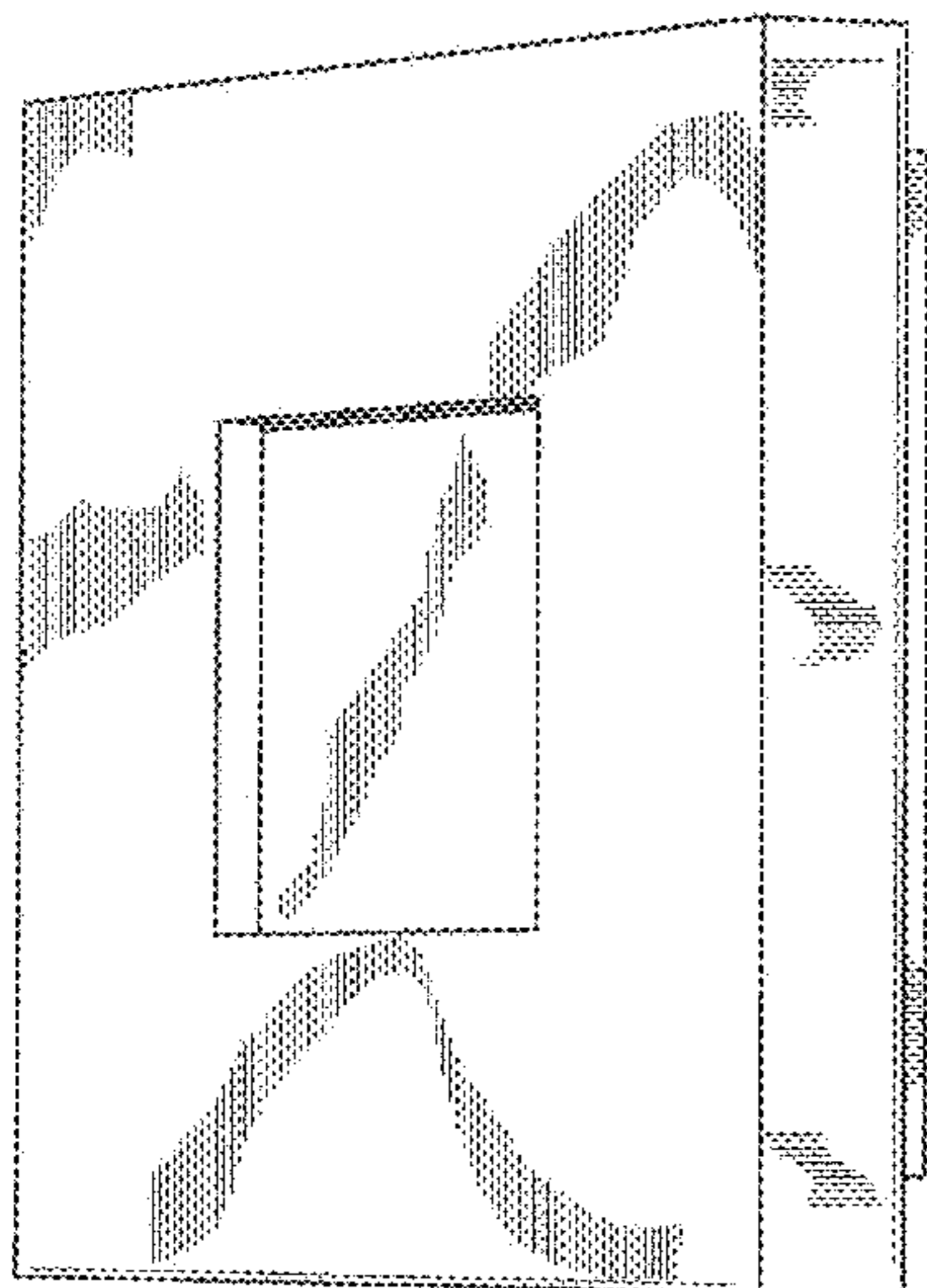
DESCRIPTION

FIG. 1 is is a right and front side perspective view of a cabinet picture frame showing my new design;
FIG. 2 is a front elevational view thereof;
FIG. 3 is a bottom plan view thereof;
FIG. 4 is a top plan view thereof;
FIG. 5 is a right side elevational view thereof;
FIG. 6 is a left side elevational view thereof;
FIG. 7 is a rear and bottom view in the open position; and,
FIG. 8 is a right and front side perspective view thereof in an open position.
The portions shown in broken lines show environmental structure only and form no part of the claimed design.

1 Claim, 6 Drawing Sheets

(56) **References Cited**
U.S. PATENT DOCUMENTS

- 3,589,049 A * 6/1971 Cornelius B42F 13/0006
40/711
- 4,304,447 A * 12/1981 Ellwood A45C 11/16
312/204
- D276,397 S * 11/1984 Pfanstiehl D6/300
- D329,565 S * 9/1992 Kane D6/559
- D424,812 S * 5/2000 Kacius D6/300
- D426,711 S * 6/2000 Kacius D6/301
- D451,290 S * 12/2001 Allen D6/300
- 6,438,883 B1 * 8/2002 Kacius A47G 1/06
40/712
- D468,912 S * 1/2003 Guay D6/300
- D481,544 S * 11/2003 Di Leggerini D6/300
- D559,556 S * 1/2008 Puig D6/300
- D610,813 S * 3/2010 Bennett D6/300
- D636,610 S * 4/2011 Caubel D6/300



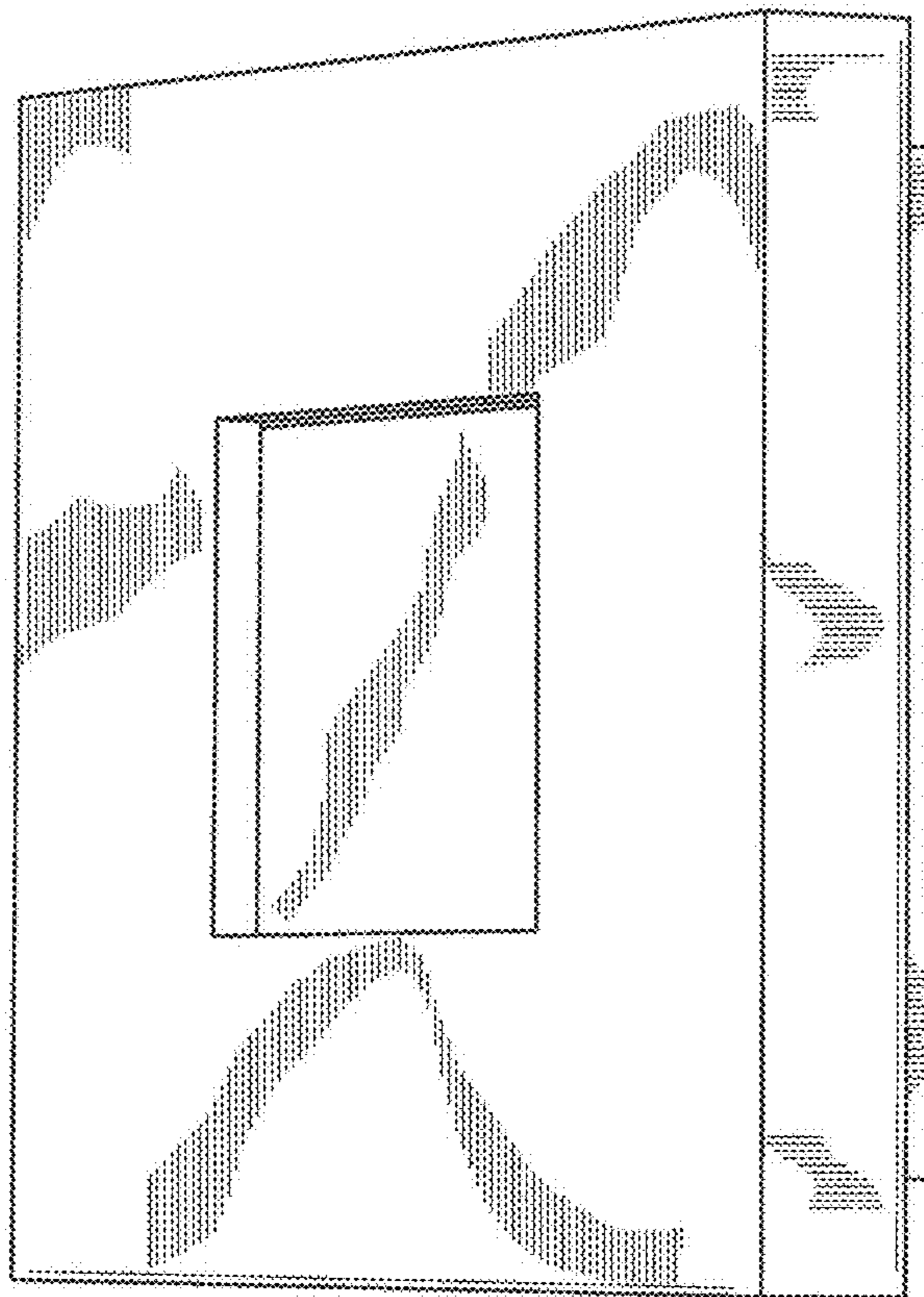


FIG. 1



FIG. 2

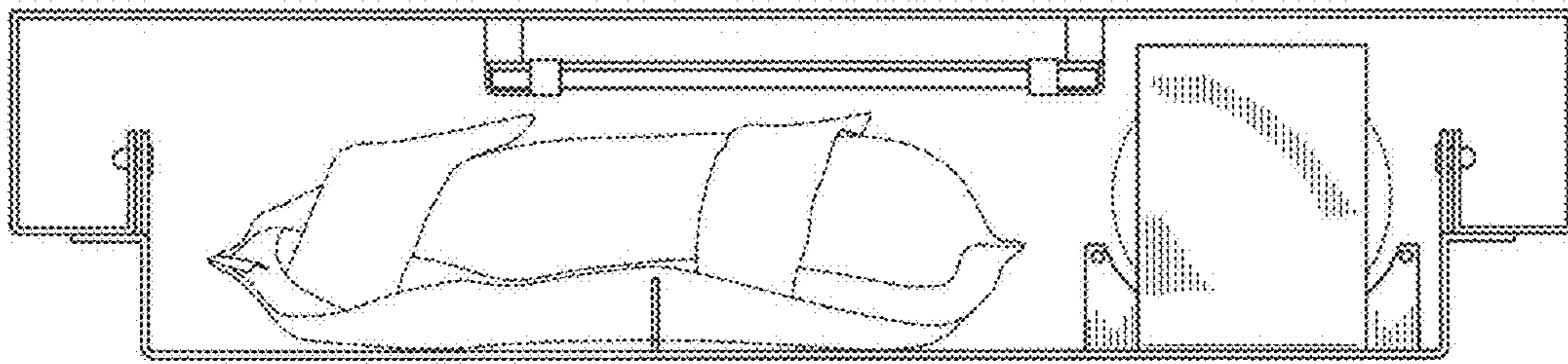


FIG. 3

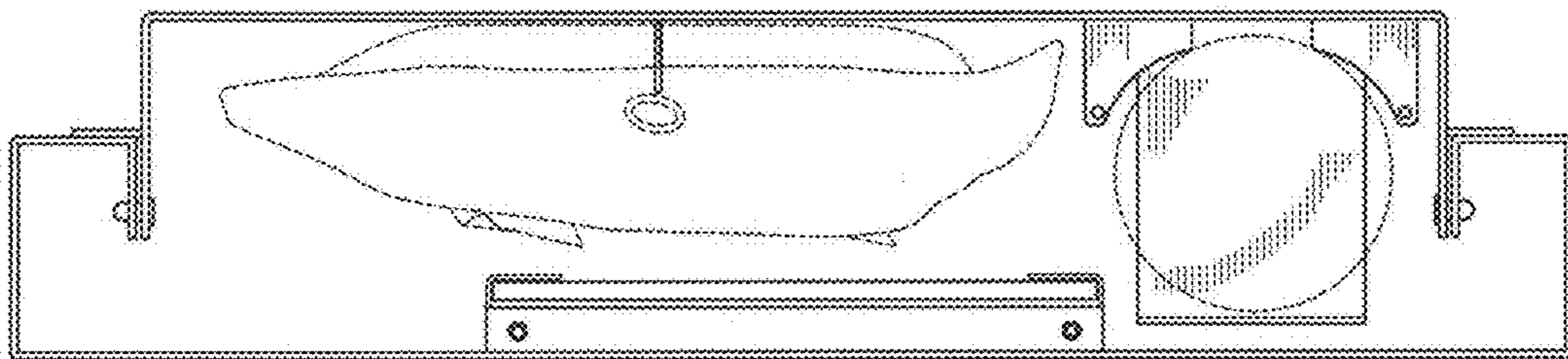


FIG. 4

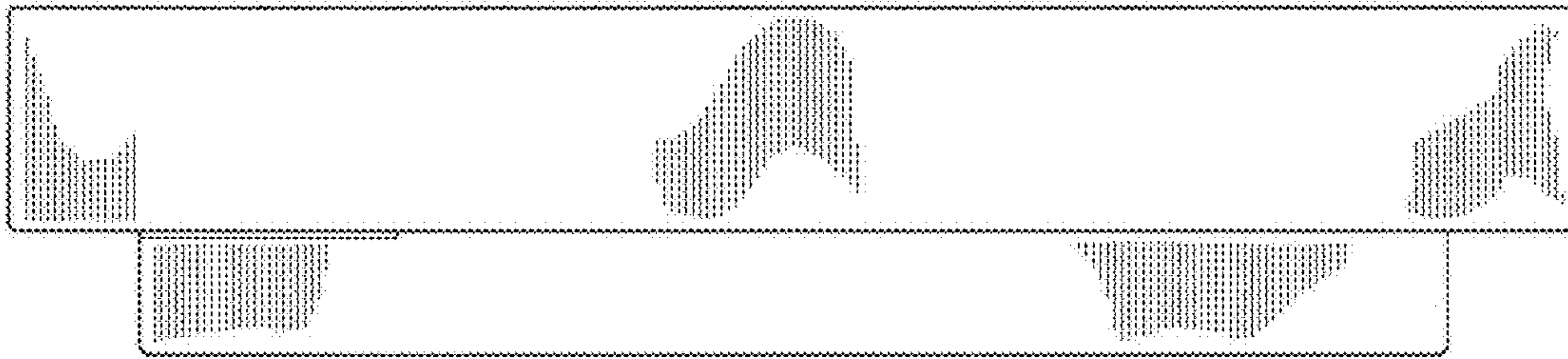


FIG. 6

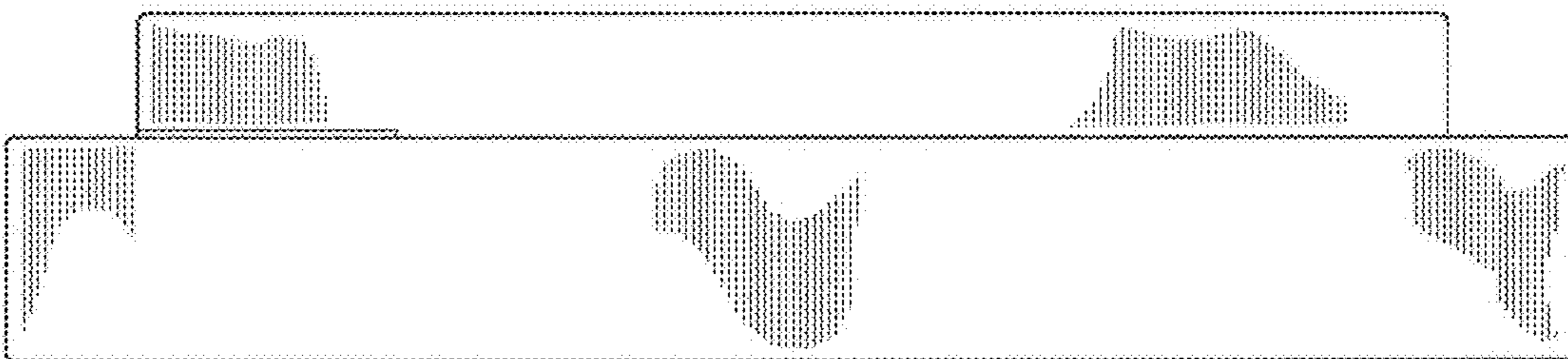


FIG. 5

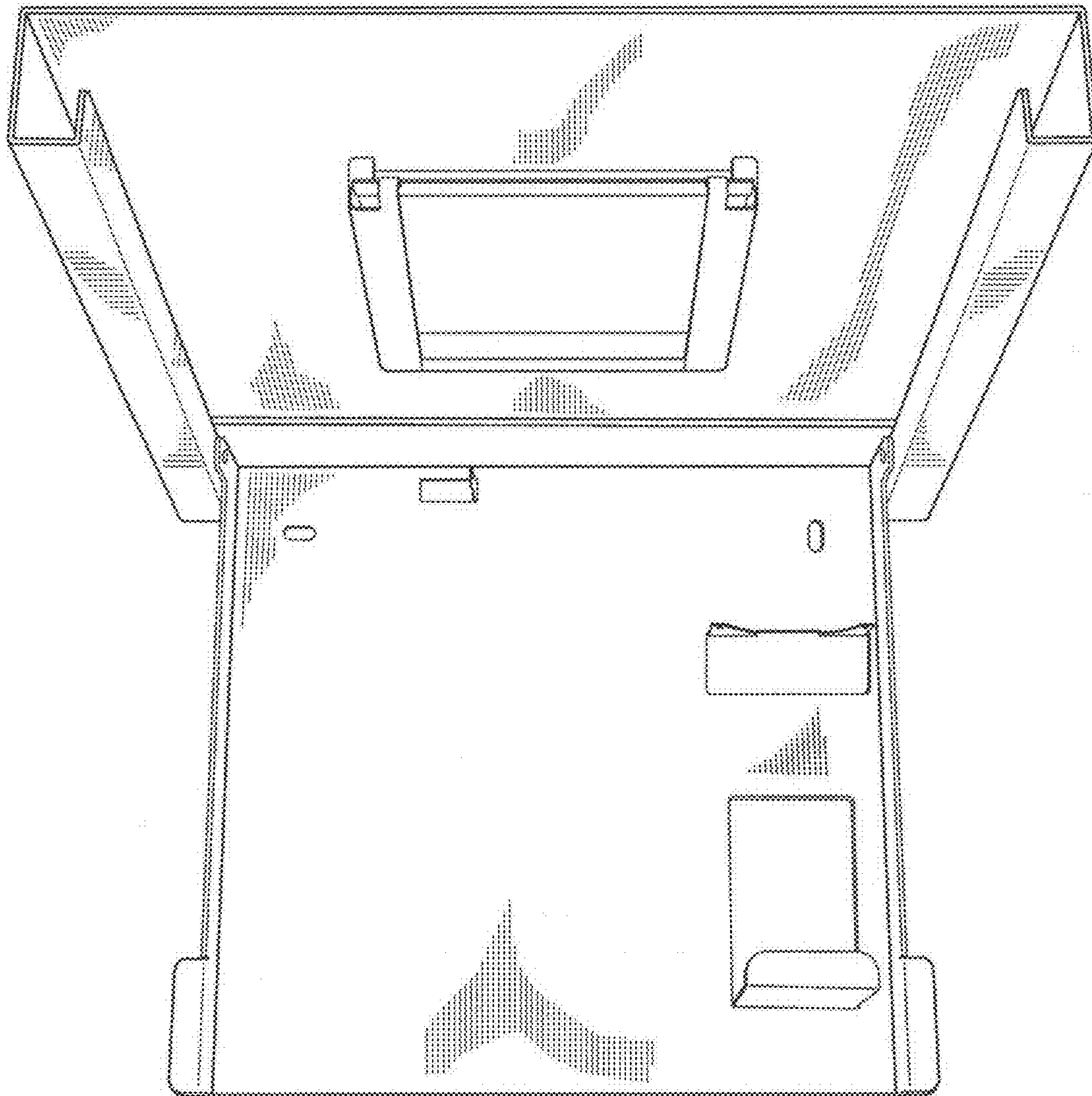


FIG. 7

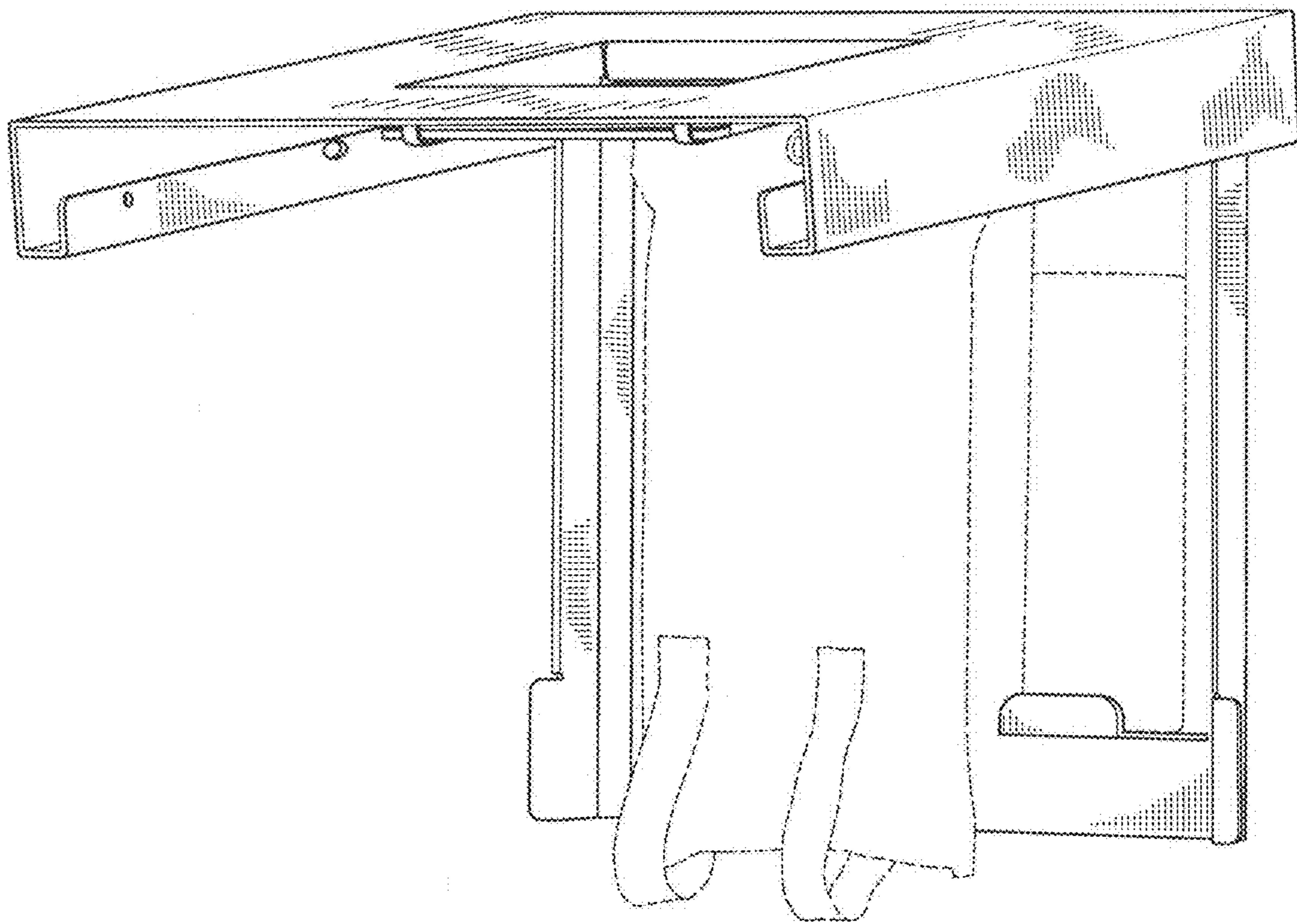


FIG. 8