



US00D841986S

(12) **United States Design Patent** (10) **Patent No.:** **US D841,986 S**  
**Renner et al.** (45) **Date of Patent:** **\*\* Mar. 5, 2019**

(54) **BRUSH**

(71) Applicant: **3M INNOVATIVE PROPERTIES COMPANY**, St. Paul, MN (US)

(72) Inventors: **Megan E. Renner**, St. Paul, MN (US); **Matthew D. Chaffee**, Minneapolis, MN (US); **Mark W. Baldwin**, Woodbury, MN (US); **Michael C. Mooney**, Coon Rapids, MN (US)

(73) Assignee: **3M INNOVATIVE PROPERTIES COMPANY**, St. Paul, MN (US)

(\*\*) Term: **15 Years**

(21) Appl. No.: **29/621,586**

(22) Filed: **Oct. 10, 2017**

(51) **LOC (11) Cl.** ..... **04-01**

(52) **U.S. Cl.**  
USPC ..... **D4/120**

(58) **Field of Classification Search**  
USPC ..... D4/110, 116, 119, 120, 129, 130, 132, D4/135, 137, 138; D7/393, 395; D8/107; D32/40, 51; 15/105, 107, 111, 15/114, 143.2, 159.2, 160, 200, 244.1; 16/430  
CPC ..... A46B 2200/40; A46B 2200/304; A46B 2200/3033; A46B 2200/3073; A46B 2200/3093; A46B 5/00; A46B 5/02; A46B 5/021; A46B 5/026; A46B 5/0012; A46B 5/0008; A46B 5/0016  
See application file for complete search history.

(56) **References Cited**

**U.S. PATENT DOCUMENTS**

D272,301 S \* 1/1984 Itoh ..... D4/105  
D377,867 S \* 2/1997 Berghash ..... D4/105  
D445,257 S \* 7/2001 Hay ..... D4/120  
D492,120 S 6/2004 Hay

D500,600 S 1/2005 Hay  
D501,323 S 2/2005 Berti  
D575,523 S \* 8/2008 Libman ..... D4/132  
D575,524 S \* 8/2008 Libman ..... D4/119  
D577,201 S \* 9/2008 Meyer ..... D4/119

(Continued)

**FOREIGN PATENT DOCUMENTS**

CN 303381605 9/2015  
CN 303485282 12/2015

(Continued)

**OTHER PUBLICATIONS**

“Rubbermaid Scrub Brush—Big Scrub Brush”, [Online] [Retrieved on Nov. 17, 2017], URL <<http://cbkhardware.com/product/rubbermaid-scrub-brush-big-scrub-brush>>, pp. 2.

(Continued)

*Primary Examiner* — Wan Laymon  
*Assistant Examiner* — Clint A Samuel  
(74) *Attorney, Agent, or Firm* — Irina Hass

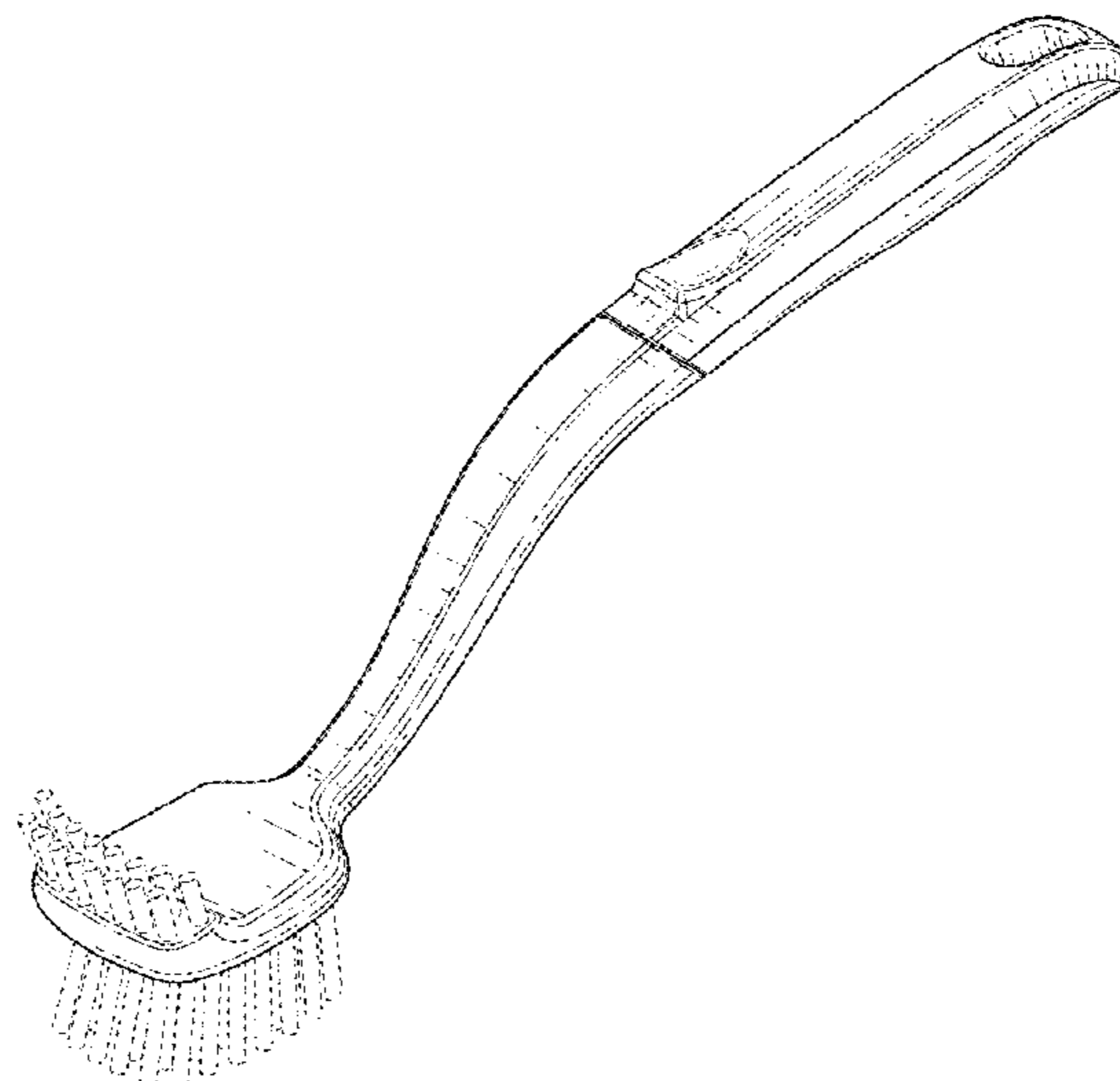
(57) **CLAIM**

The ornamental design for a brush, as shown and described.

**DESCRIPTION**

FIG. 1 is a perspective view showing the new design for a brush;  
FIG. 2 is a front view thereof;  
FIG. 3 is a rear view thereof;  
FIG. 4 is a left side view thereof;  
FIG. 5 is a right side view thereof;  
FIG. 6 is a top view thereof; and,  
FIG. 7 is a bottom view thereof.  
The portions of the brush in FIGS. 1-7 shown in broken lines are included to show features that form no part of the claimed design.

**1 Claim, 5 Drawing Sheets**



(56)

**References Cited**

U.S. PATENT DOCUMENTS

D598,202 S *	8/2009	McNeil .....	D4/132
D606,320 S	12/2009	Meyer	
D685,549 S *	7/2013	Wong .....	D32/40
D720,933 S *	1/2015	Albers .....	D4/120
D791,491 S *	7/2017	Hill .....	D4/119
2005/0028308 A1 *	2/2005	Spooner .....	A46B 9/02 15/106

FOREIGN PATENT DOCUMENTS

CN	304036753	2/2017
DE	402015001795-0006	12/2016
EM	000206065-0002	10/2004
JP	D1537758	11/2015

OTHER PUBLICATIONS

“Scrub Brush, Polyester, Short Handle”, [Online] [Retrieved on Nov. 17, 2017], URL <<https://www.zoro.com/vikan-scrub-brush-polyester-short-handle-42873/i/G3871795/>>, pp. 5.

\* cited by examiner

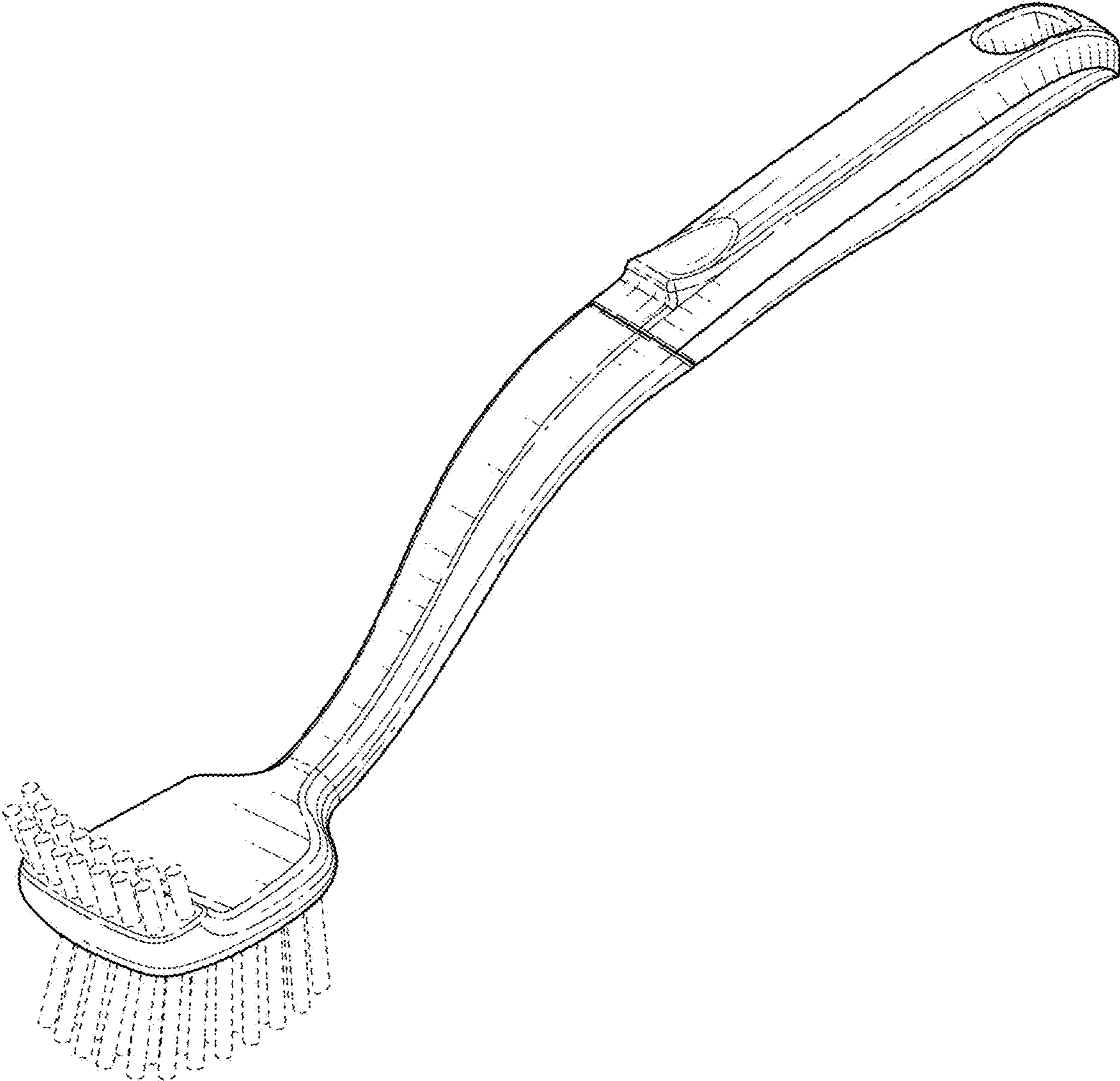


FIG. 1

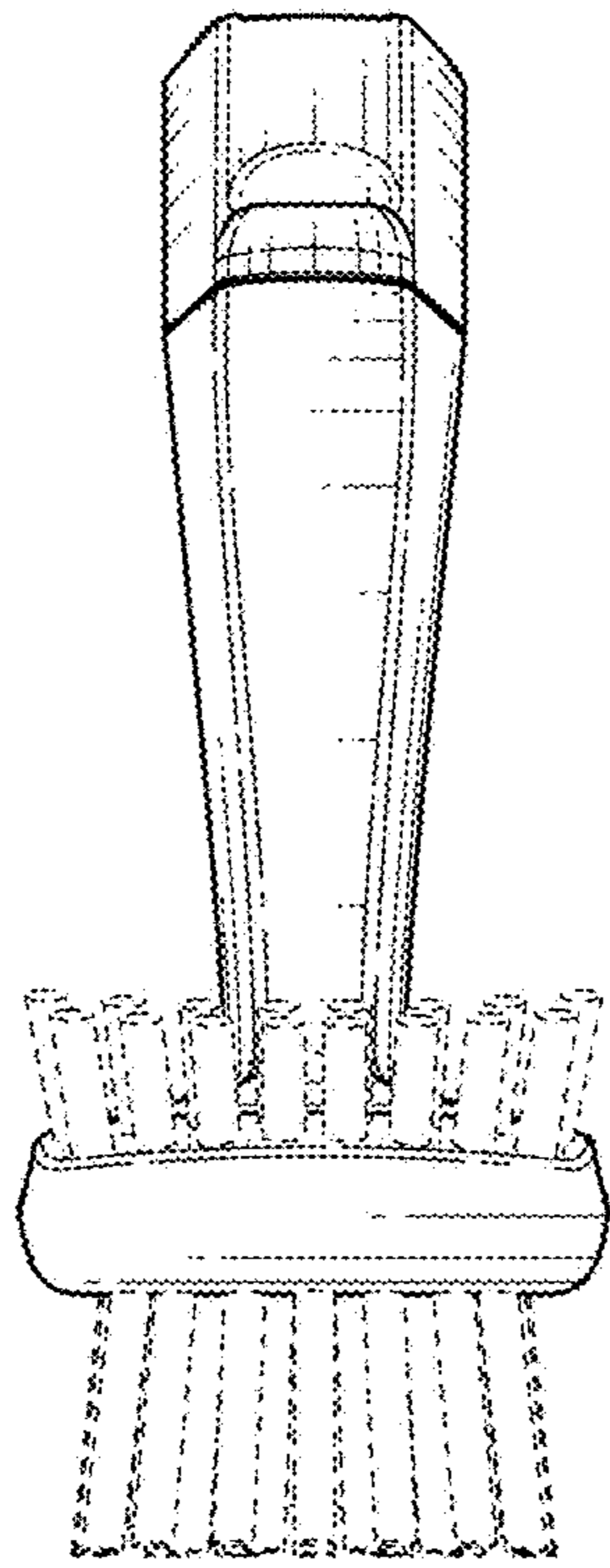


FIG. 2

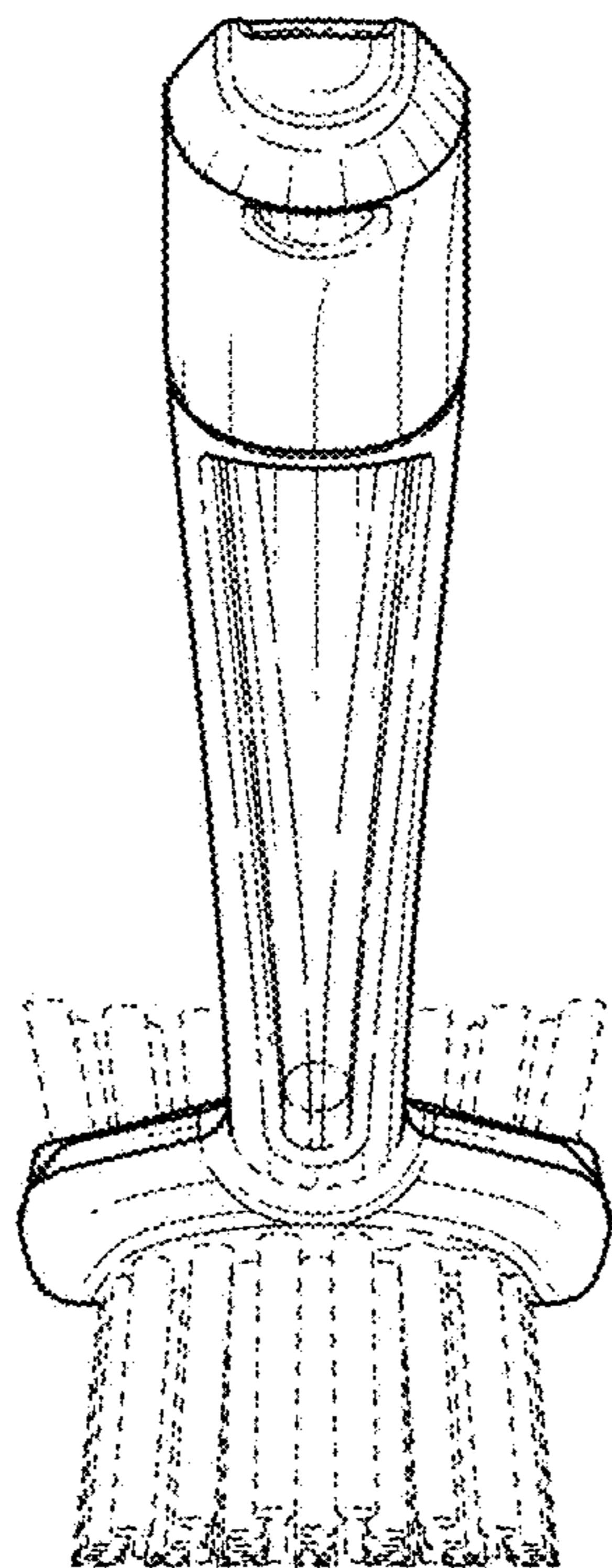


FIG. 3

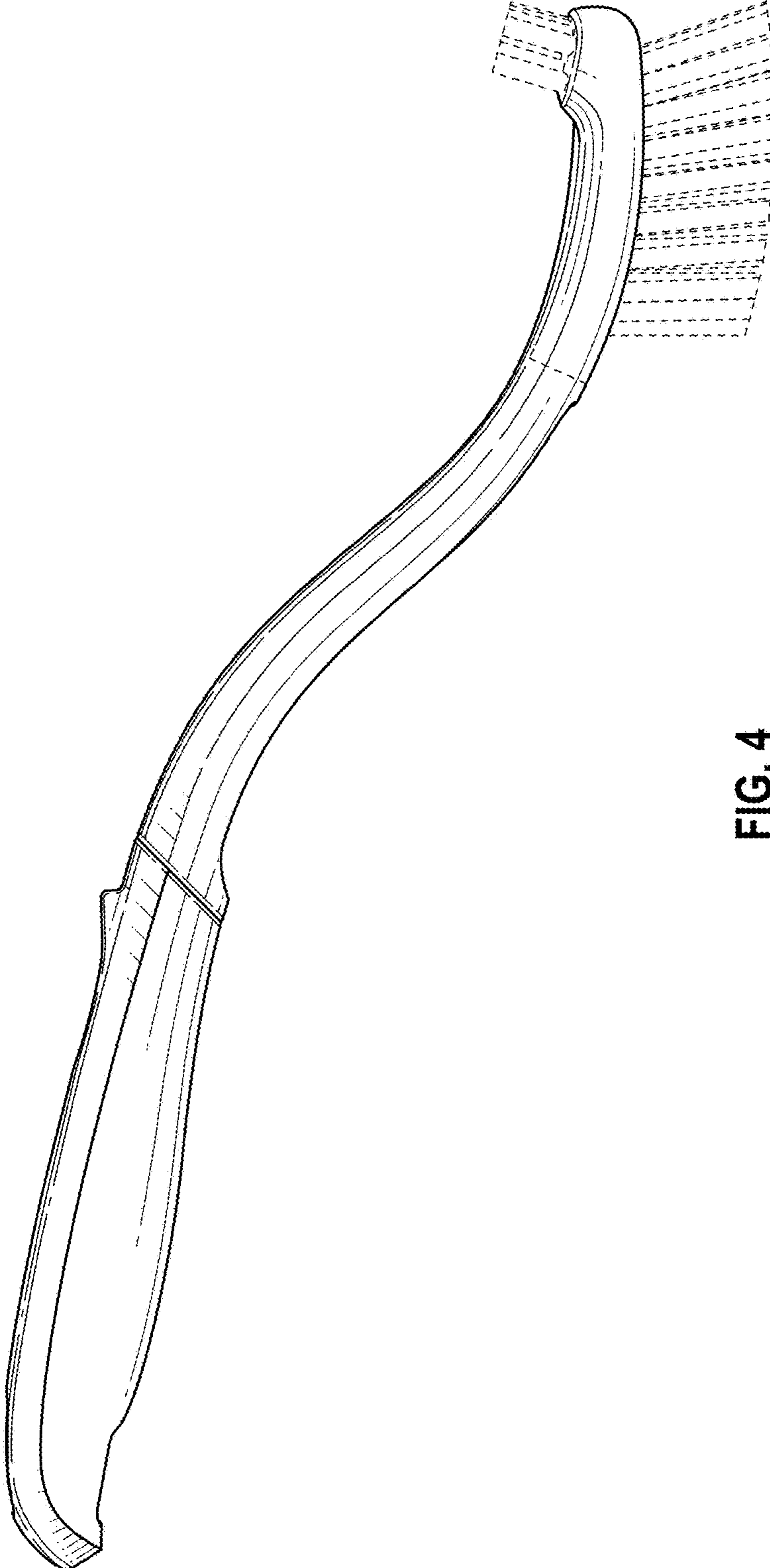


FIG. 4

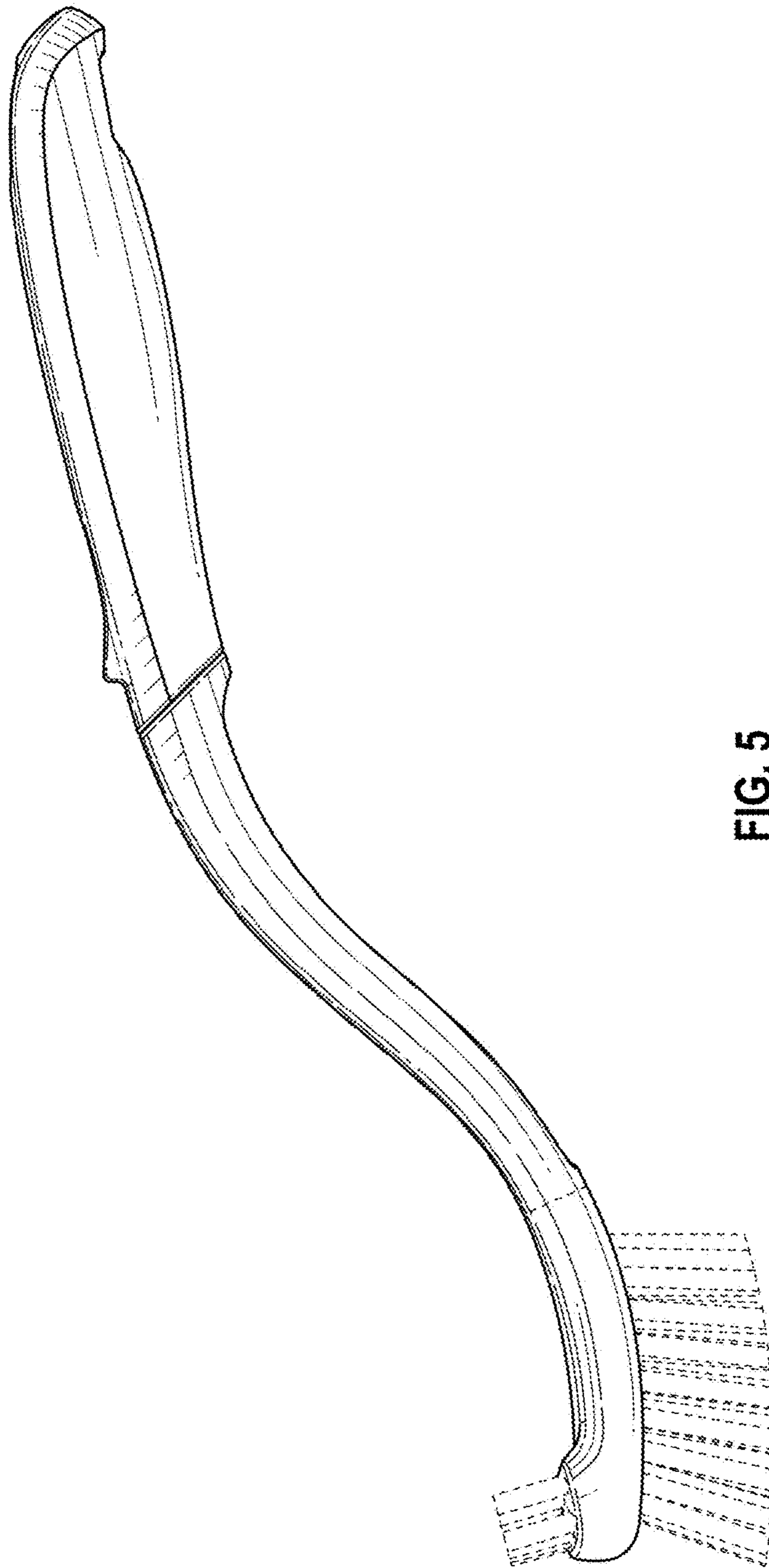


FIG. 5

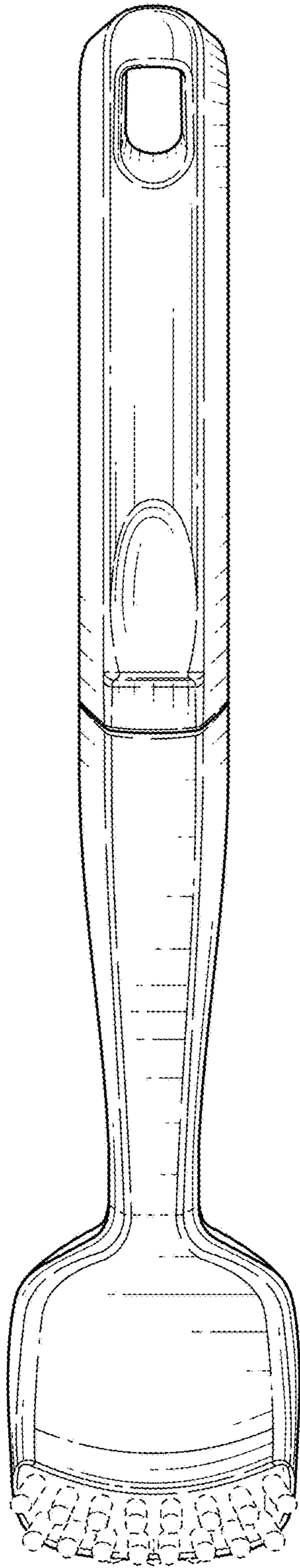


FIG. 6

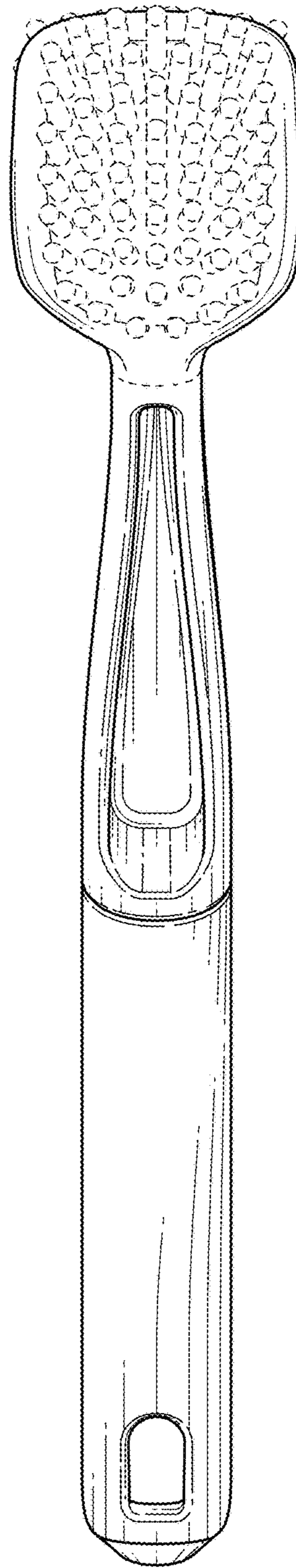


FIG. 7