



US00D841983S

(12) **United States Design Patent** (10) **Patent No.:** **US D841,983 S**  
**Wang** (45) **Date of Patent:** **\*\* Mar. 5, 2019**

(54) **STORAGE CONTAINER WITH TRANSPARENT COVER**  
(71) Applicant: **Wen-Tsan Wang**, Taipei (TW)  
(72) Inventor: **Wen-Tsan Wang**, Taipei (TW)  
(\*\*) Term: **15 Years**  
(21) Appl. No.: **29/583,915**

D382,115 S \* 8/1997 Chang ..... D3/282  
D394,749 S \* 6/1998 Ford ..... D3/284  
D399,652 S \* 10/1998 Fang ..... D3/282  
D426,265 S \* 6/2000 Black ..... D19/113  
D448,154 S \* 9/2001 Mann ..... D3/203.1  
D575,956 S \* 9/2008 Reardon ..... D3/295  
D591,111 S \* 4/2009 Rzeczkowski ..... D7/548  
D592,398 S \* 5/2009 Roesler ..... D3/294  
D670,909 S \* 11/2012 Price ..... D3/260  
(Continued)

(22) Filed: **Nov. 10, 2016**  
(51) **LOC (11) Cl.** ..... **03-01**  
(52) **U.S. Cl.**  
USPC ..... **D3/295**  
(58) **Field of Classification Search**  
USPC ..... D3/273, 283, 286, 294, 295, 310-314,  
D3/901-905; D7/500-504, 538-588;  
D9/424-429, 761, 500; D28/73;  
220/904, 23.83, 574, 212, 657, 659, 755,  
220/771, 571, 641; 211/128.1; 206/6.1,  
206/566; D27/186, 189, 191  
CPC ..... A01K 97/04; A47J 47/02; A24F 23/00;  
A24F 23/02; A24F 15/12; A24F 15/00;  
A24F 15/20; A24F 13/14; A24F 9/16;  
A45C 11/00; A24D 1/02; B65D 85/10;  
B65D 85/60; B65D 2209/10; B65D  
2543/00277; B65D 81/05; B65D 81/203;  
B65D 51/28; B65D 77/02  
See application file for complete search history.

(56) **References Cited**  
**U.S. PATENT DOCUMENTS**  
D153,277 S \* 4/1949 Gerber ..... D3/311  
D157,610 S \* 3/1950 Ligon ..... D3/295  
D333,487 S \* 2/1993 Papp ..... D19/75  
5,213,226 A \* 5/1993 Nichols ..... A47J 36/027  
220/263  
D345,463 S \* 3/1994 Sankey ..... D3/302  
D347,089 S \* 5/1994 Byars ..... D28/83  
D367,557 S \* 3/1996 Chang ..... D3/276

**OTHER PUBLICATIONS**

15 Slots Fishing Lure Box, available Aug. 20, 2018, [online], [site visited Aug. 20, 2018]. Available from internet, <URL: <https://www.amazon.com/Fishing-Adjustable-Plastic-Organizer-Containers/dp/B077JX6YF1> (Year: 2018).\*

(Continued)

*Primary Examiner* — Cathron C Brooks  
*Assistant Examiner* — W. A. Teddy Falloway  
(74) *Attorney, Agent, or Firm* — Leong C. Lei

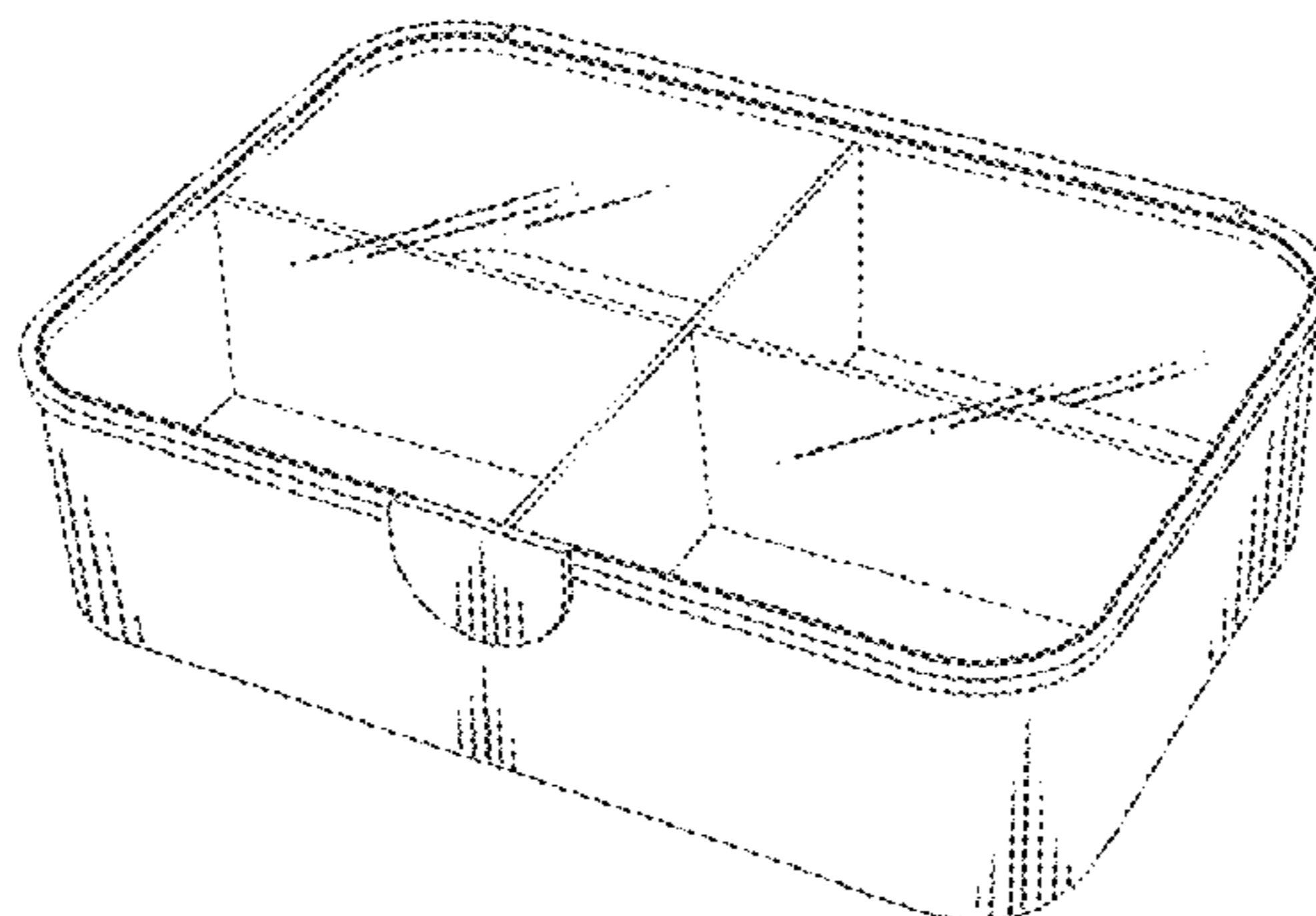
(57) **CLAIM**

The ornamental design for a storage container with transparent cover, as shown and described.

**DESCRIPTION**

FIG. 1 is a front perspective view of a storage container with transparent cover showing my new design;  
FIG. 2 is a front elevational view thereof;  
FIG. 3 is a rear elevational view thereof;  
FIG. 4 is a left elevational view thereof;  
FIG. 5 is a right elevational view thereof;  
FIG. 6 is a top plan view thereof;  
FIG. 7 is a bottom plan view thereof;  
FIG. 8 is a perspective view of another preferred embodiment; and,  
FIG. 9 is a perspective view of another preferred embodiment.

**1 Claim, 6 Drawing Sheets**



(56)

**References Cited**

U.S. PATENT DOCUMENTS

RE45,787 E *	11/2015	Hurt .....	D3/294
D749,845 S *	2/2016	Tonelli .....	D3/276
D756,561 S *	5/2016	Ghiotti .....	D27/186
D779,295 S *	2/2017	Weernink .....	D3/302
D780,534 S *	3/2017	Oliver .....	D7/629
D818,712 S *	5/2018	Fleming .....	D3/294
2011/0119986 A1 *	5/2011	Sellers .....	A01K 97/04 43/54.1

OTHER PUBLICATIONS

Fishing Tackle Box, available Aug. 20, 2018, [online], [site visited Aug. 20, 2018]. Available from internet, <URL: <https://reeltackle.com/products/high-quality-21-11-3-5cm-fishing-lure-box-accessories-hard-soft-lure-bait-fishing-tackle-box-5-compartments-e0?variant=2561721892898> (Year: 2018).\*

\* cited by examiner

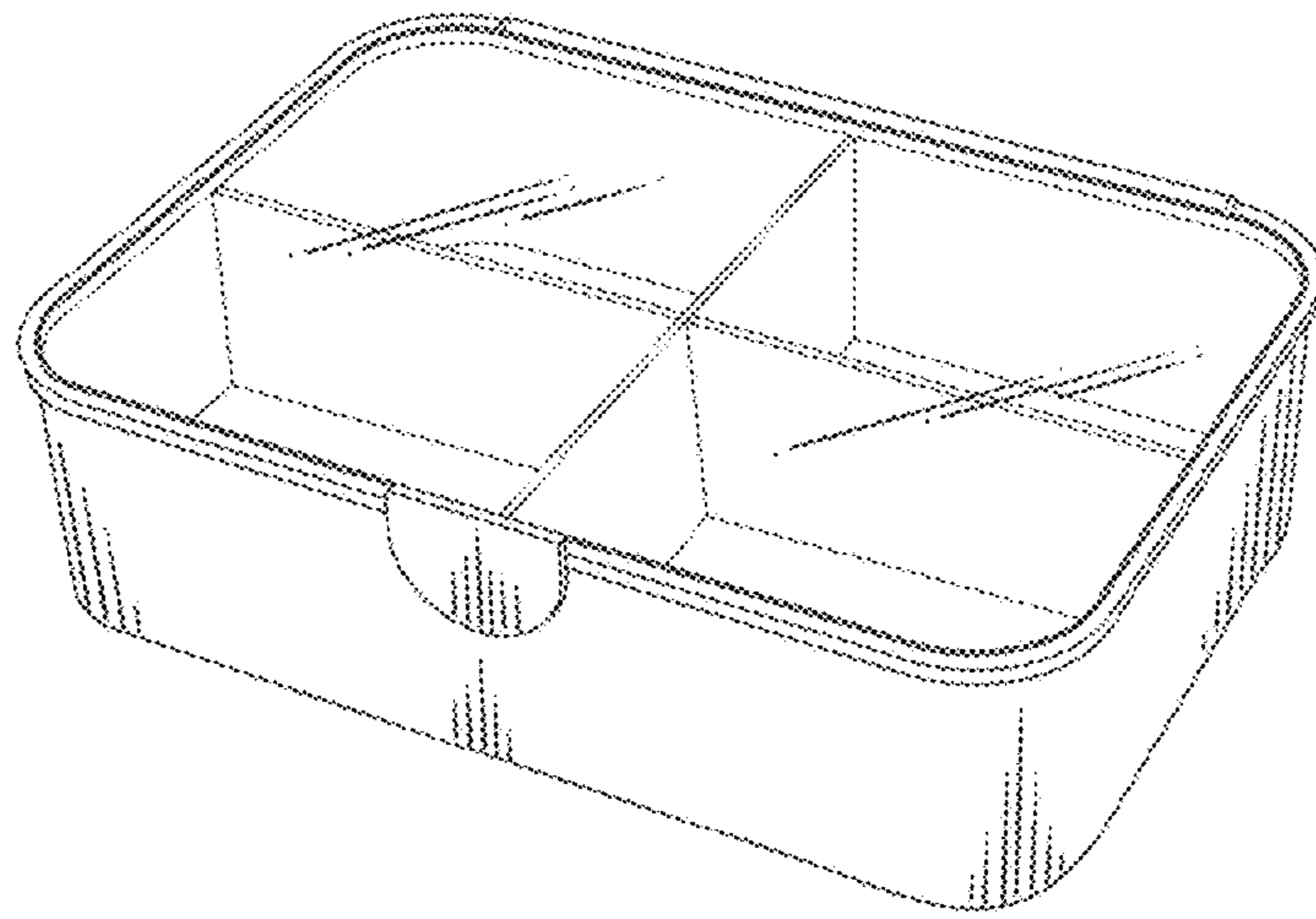


FIG. 1

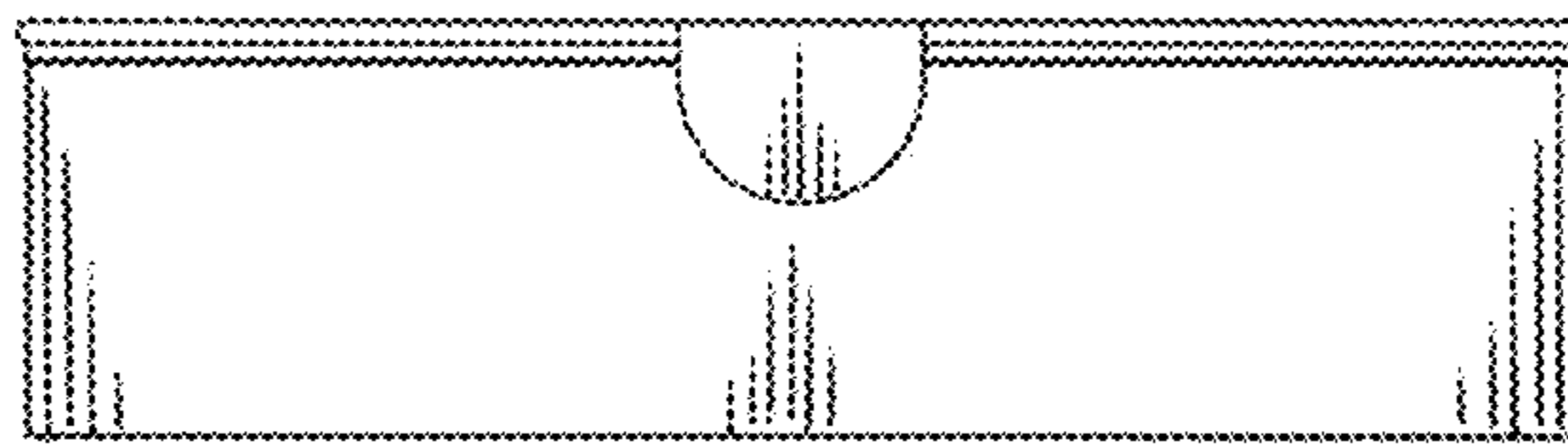


FIG. 2

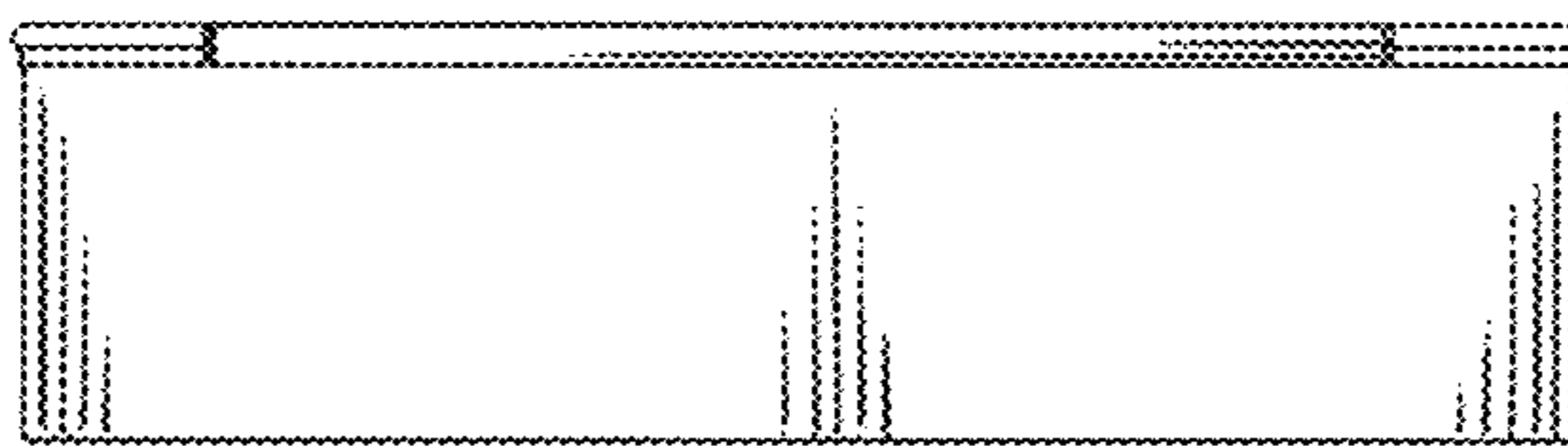


FIG. 3

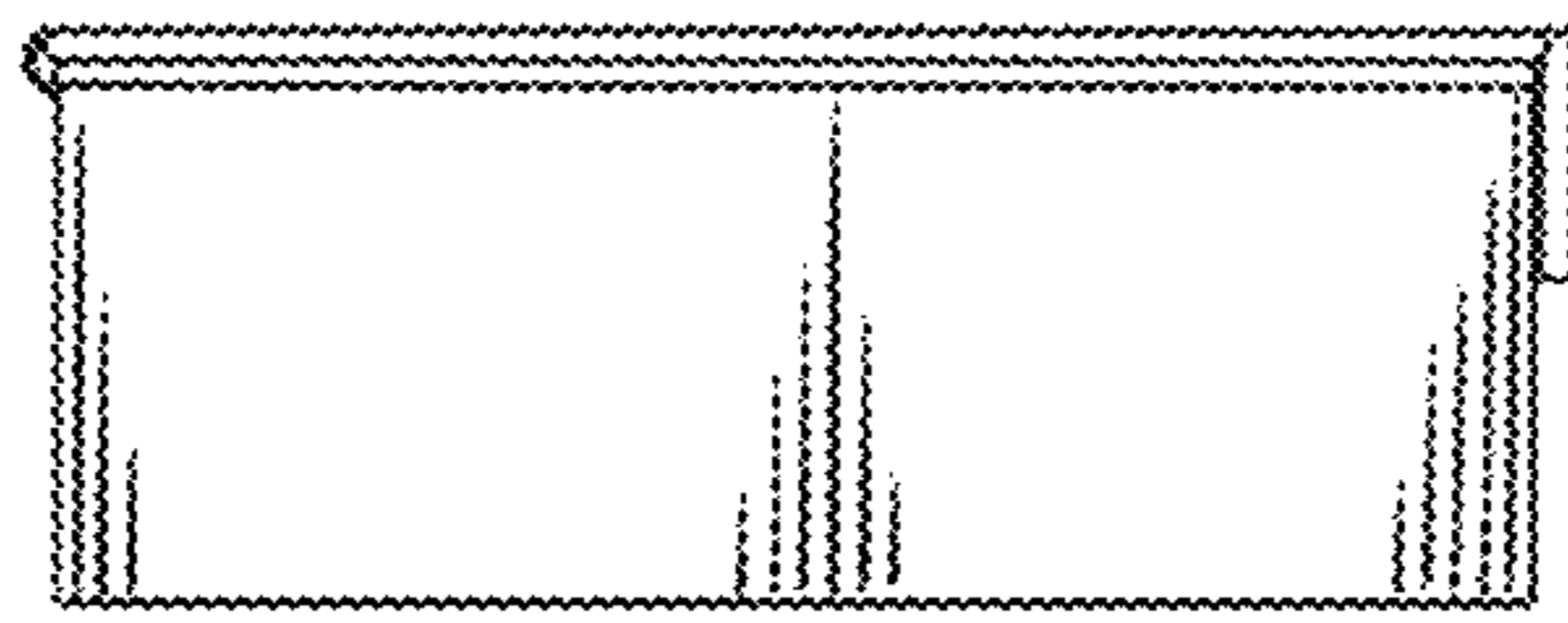


FIG. 4



FIG. 5

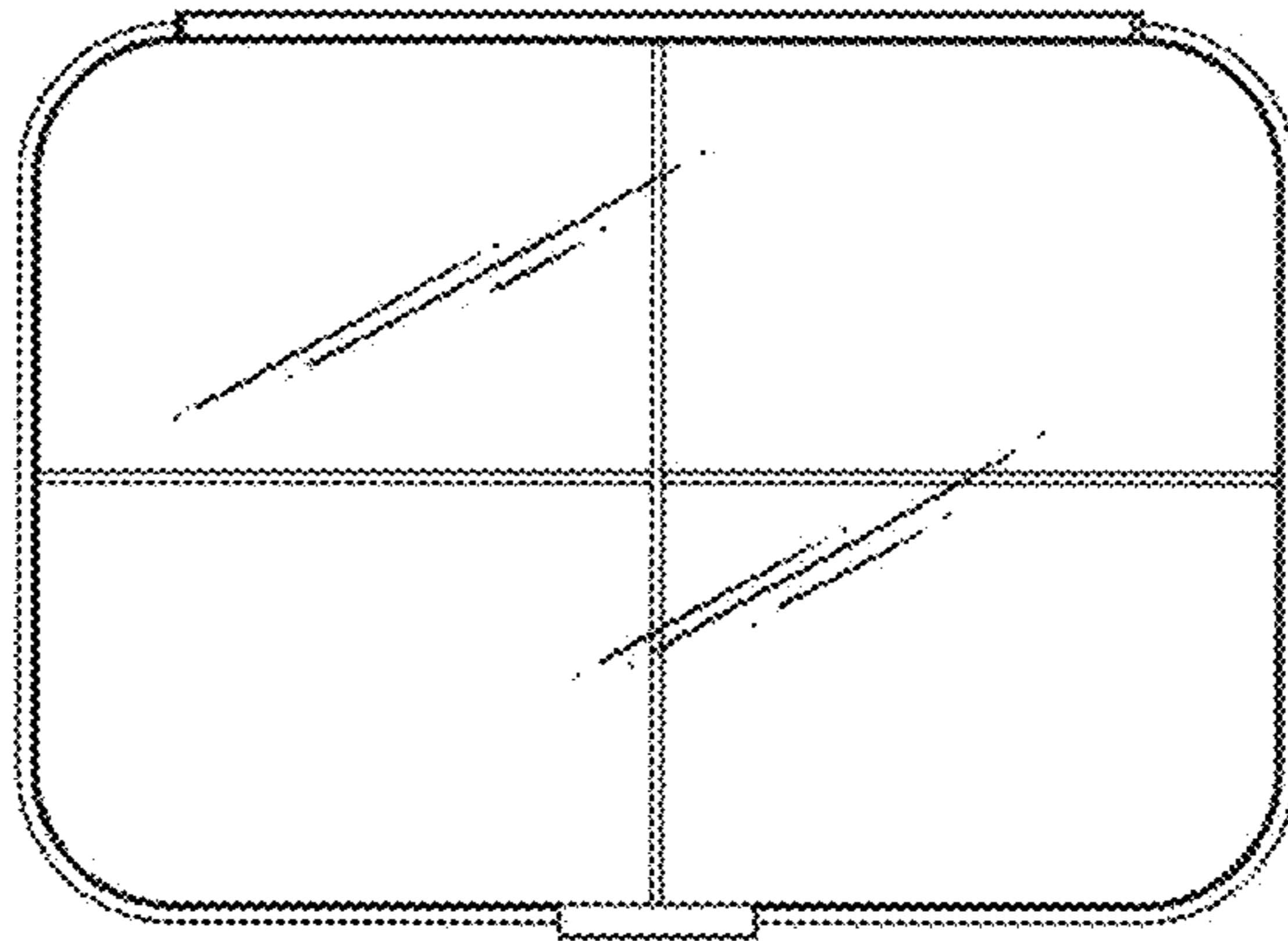


FIG. 6

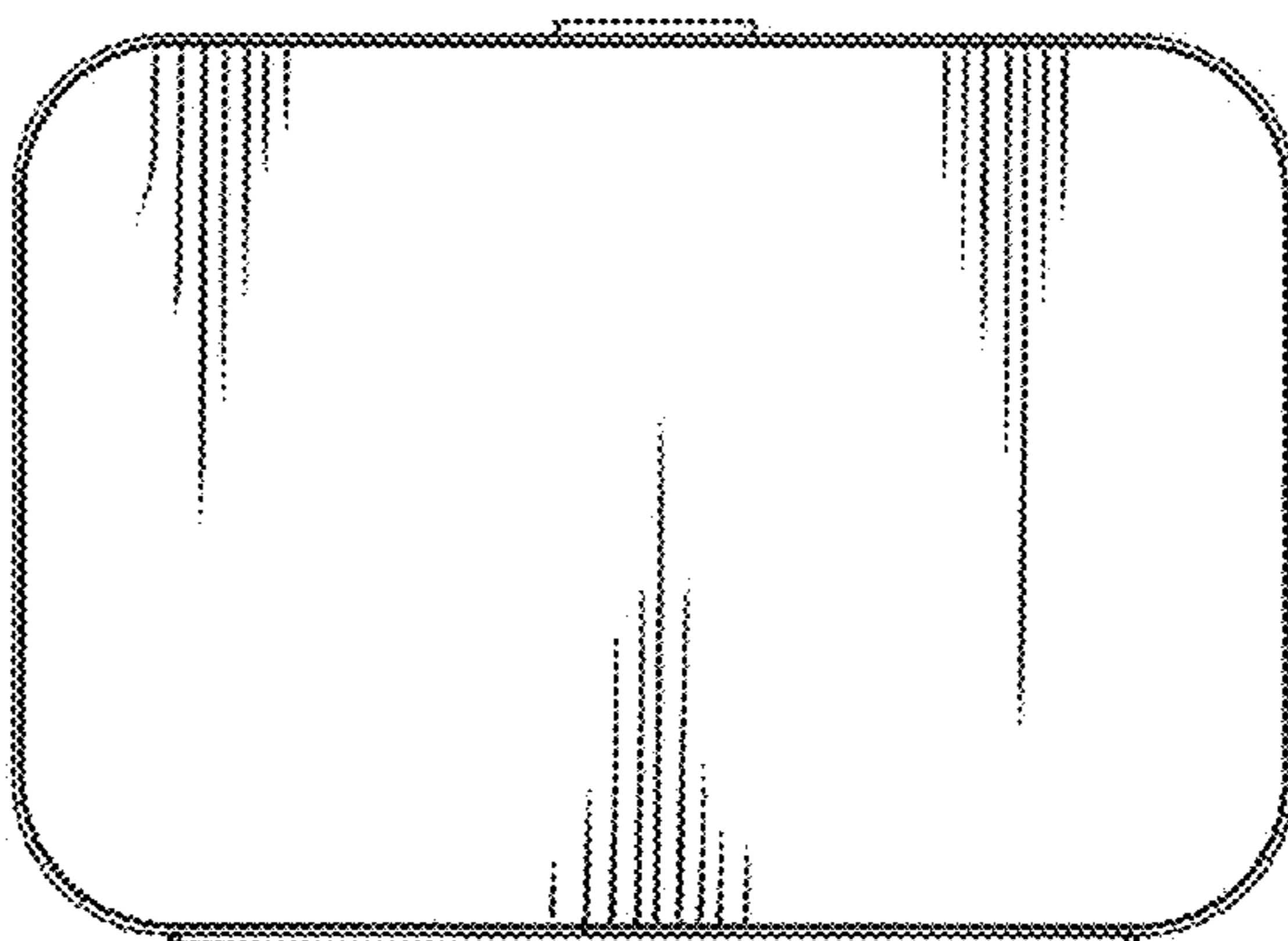


FIG. 7

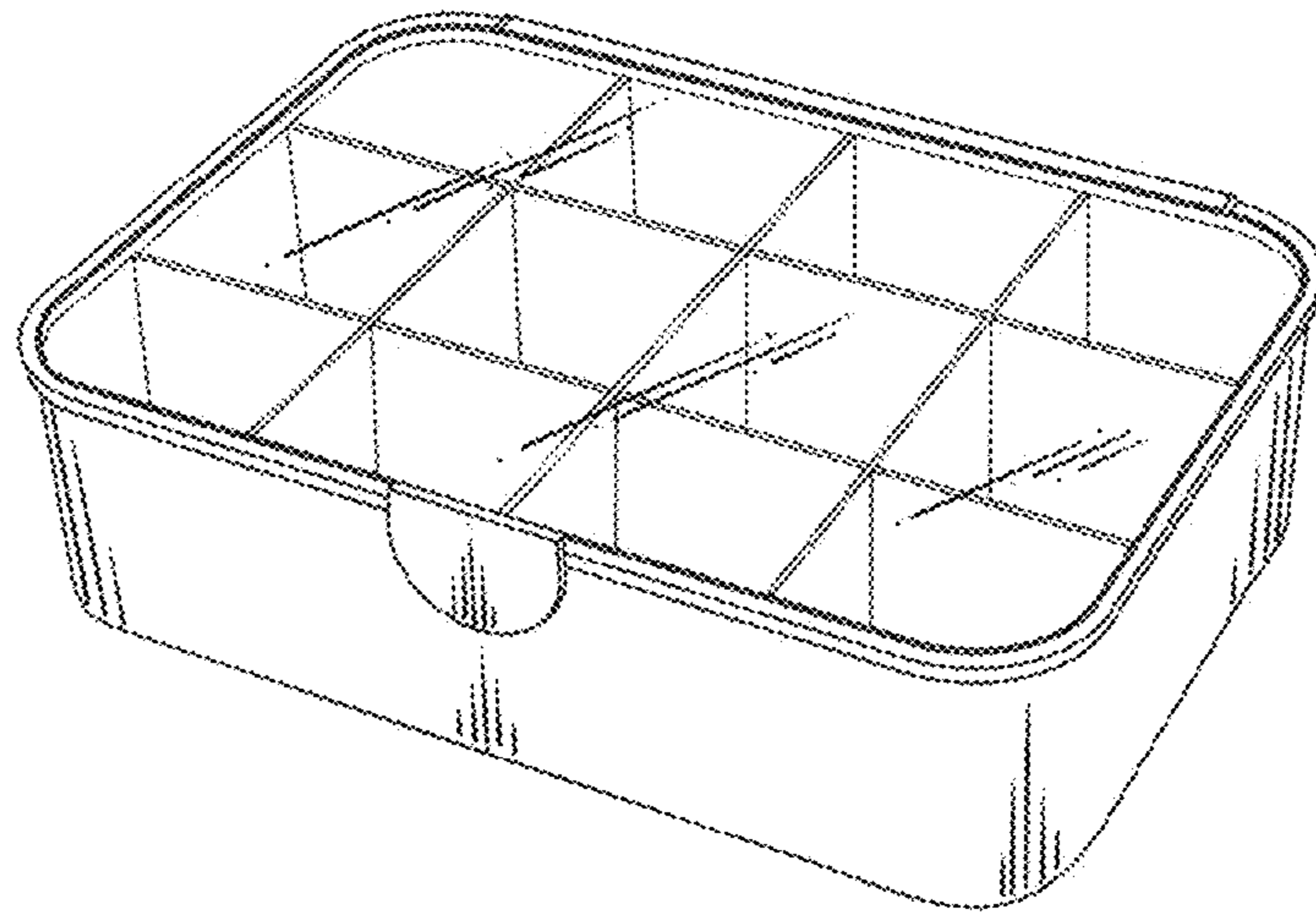


FIG. 8

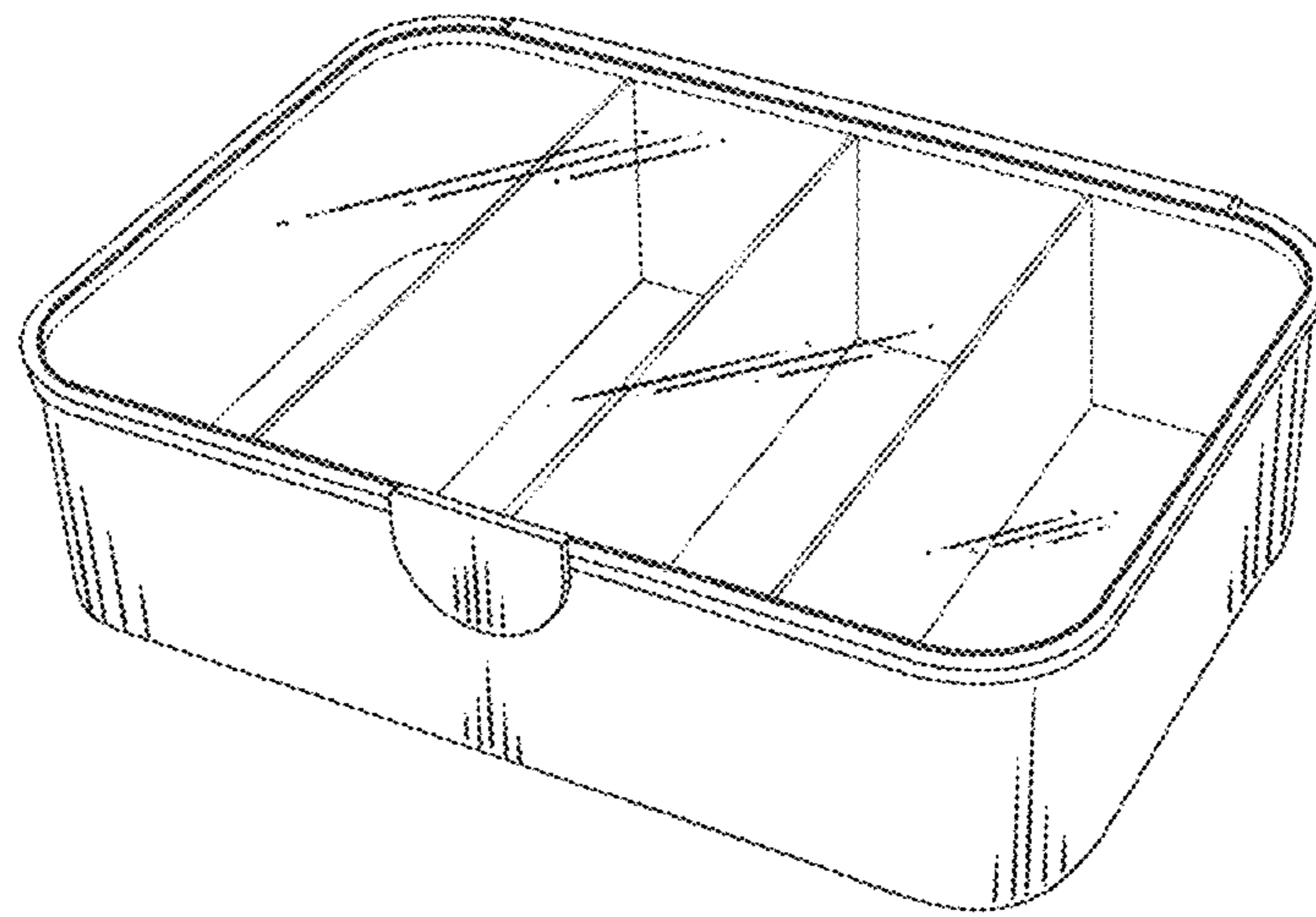


FIG. 9