



US00D841982S

(12) **United States Design Patent** (10) **Patent No.:** **US D841,982 S**
Kögel (45) **Date of Patent:** **** Mar. 5, 2019**

(54) **TRANSPORT BOX**

(71) Applicant: **BS SYSTEMS GMBH & CO. KG,**
Zusmarshausen (DE)

(72) Inventor: **Jan Kögel,** Zusmarshausen (DE)

(73) Assignee: **BS SYSTEMS GMBH & CO. KG,**
Zusmarshausen (DE)

(**) Term: **15 Years**

(21) Appl. No.: **35/503,368**

(22) Filed: **Jan. 13, 2017**

(80) **Hague Agreement Data**

Int. Filing Date: **Jan. 13, 2017**

Int. Reg. No.: **DM/094370**

Int. Reg. Date: **Jan. 13, 2017**

Int. Reg. Pub. Date: **Jul. 14, 2017**

(51) **LOC (11) Cl.** **03-01**

(52) **U.S. Cl.**
USPC **D3/282**

(58) **Field of Classification Search**
USPC D3/273, 274, 275, 276, 281, 282, 283,
D3/284, 292, 294, 295, 296, 302, 905,
D3/900, 901, 903, 205

(Continued)

(56) **References Cited**

U.S. PATENT DOCUMENTS

D360,757 S * 8/1995 Snetting D3/276

D439,408 S * 3/2001 Gibson D3/276

(Continued)

Primary Examiner — Manpreet S Matharu

Assistant Examiner — Holly E Thurman

(74) *Attorney, Agent, or Firm* — Paul D. Bianco; Lourdes Perez; Fleit Gibbons Gutman Bongini & Bianco PL

(57) **CLAIM**

The ornamental design for a transport box, as shown and described.

DESCRIPTION

1.-8. Transport boxes

FIG. 2.1 is a front view of a first embodiment of a transport box according to the present invention;

FIG. 2.2 is bottom view thereof;

FIG. 2.3 is a top view thereof;

FIG. 2.4 is a left side view, the right side being a mirror image thereof;

FIG. 2.5 is a back view thereof;

FIG. 2.6 is a perspective view thereof;

FIG. 4.1 is a front view of a second embodiment of a transport box according to the present invention;

FIG. 4.2 is bottom view thereof;

FIG. 4.3 is a top view thereof;

FIG. 4.4 is a left side view, the right side being a mirror image thereof;

FIG. 4.5 is a back view thereof;

FIG. 4.6 is a perspective view thereof;

FIG. 6.1 is a front view of a third embodiment of a transport box according to the present invention;

FIG. 6.2 is bottom view thereof;

FIG. 6.3 is a top view thereof;

FIG. 6.4 is a left side view, the right side being a mirror image thereof;

FIG. 6.5 is a back view thereof; and

FIG. 6.6 is a perspective view thereof.

FIG. 8.1 is a front view of a fourth embodiment of a transport box according to the present invention;

FIG. 8.2 is bottom view thereof;

FIG. 8.3 is a top view thereof;

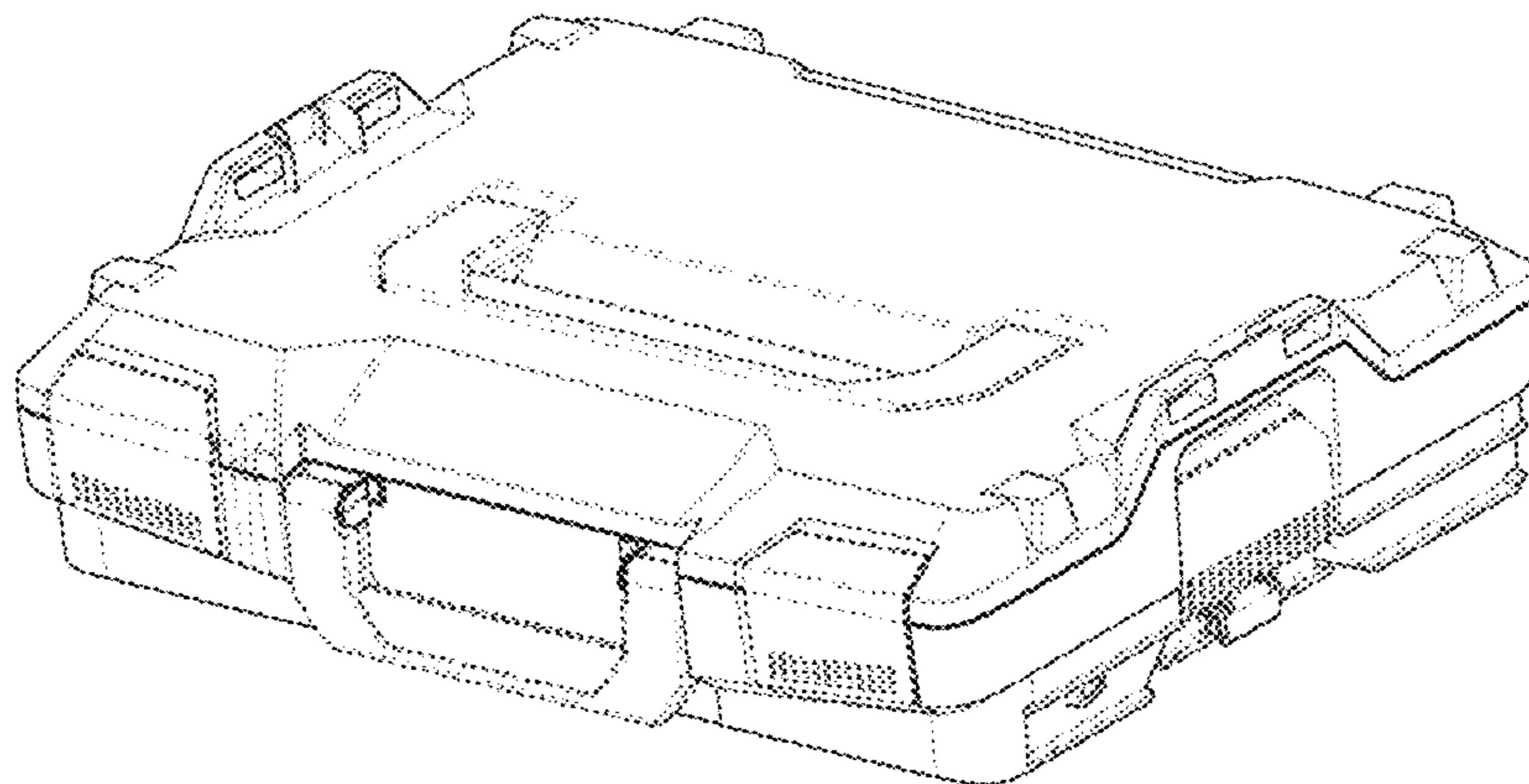
FIG. 8.4 is a left side view, the right side being a mirror image thereof;

FIG. 8.5 is a back view thereof; and

FIG. 8.6 is a perspective view thereof.

The broken lines shown in the drawings illustrate portions of the transport box that form no part of the claimed design.

1 Claim, 24 Drawing Sheets



(58) **Field of Classification Search**

CPC A45C 5/04; A45C 11/00; A45C 11/16;
A45C 15/04

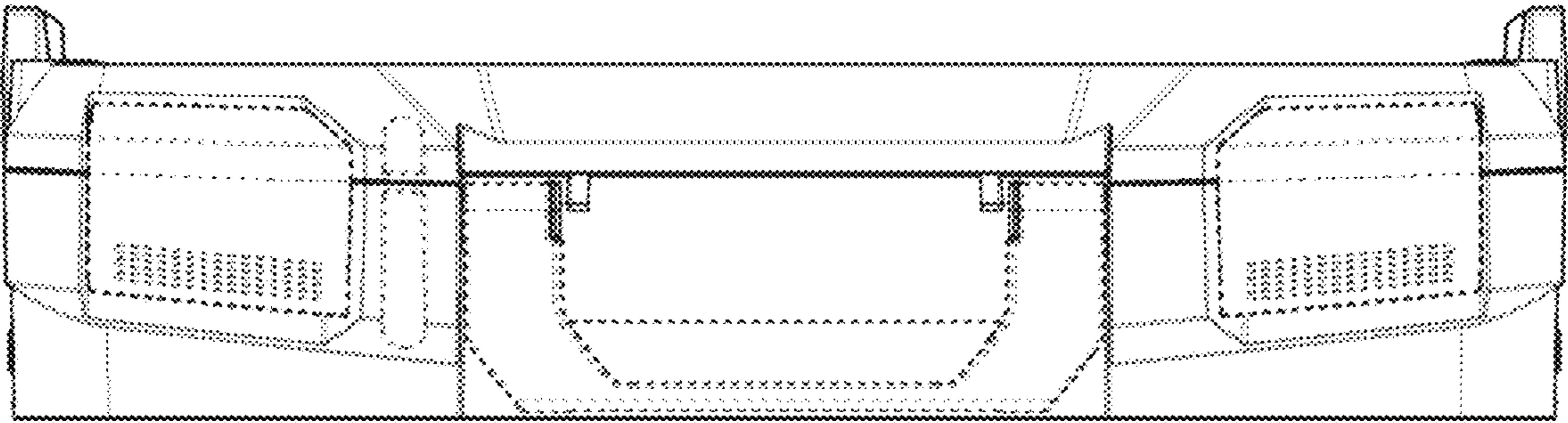
See application file for complete search history.

(56) **References Cited**

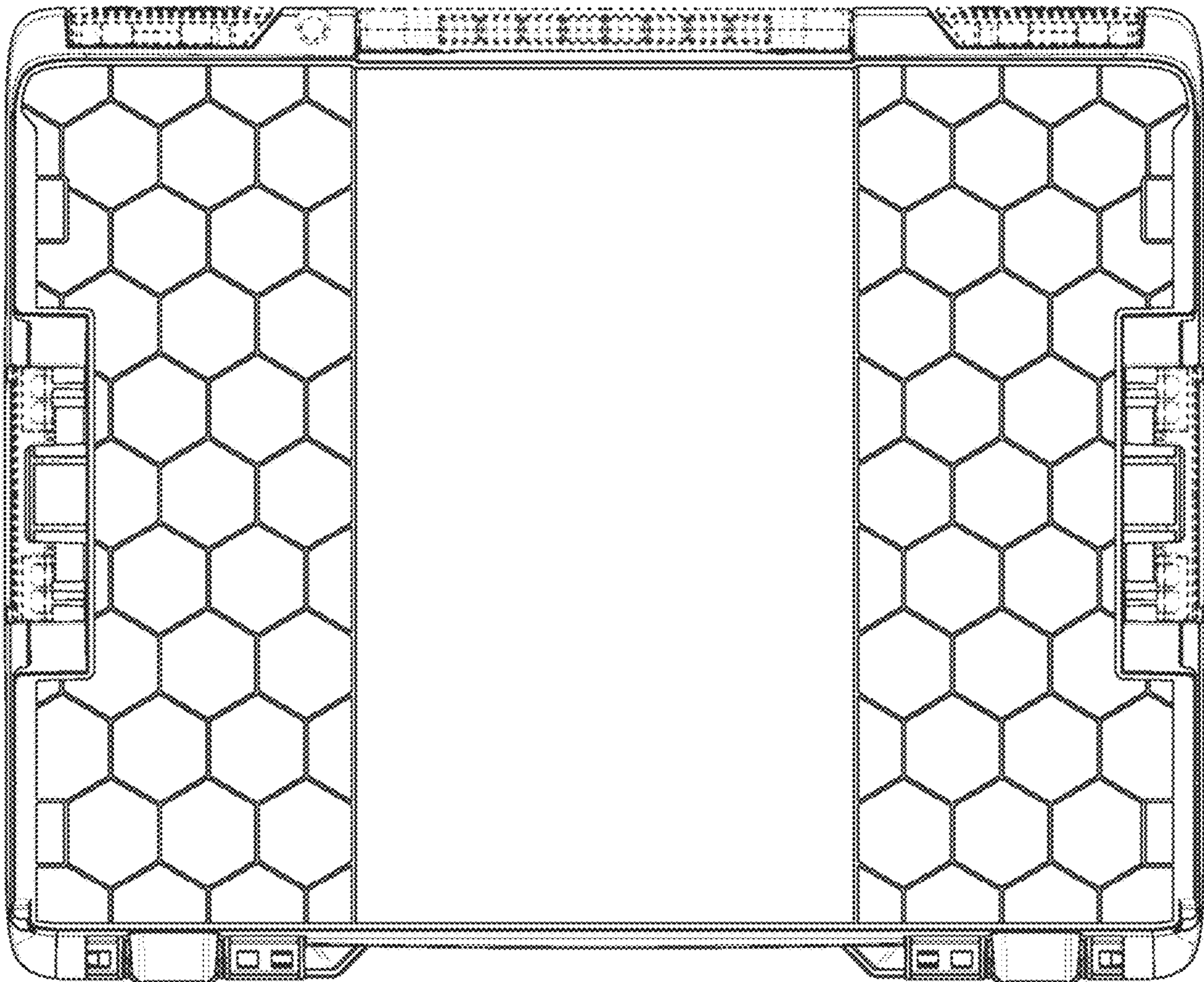
U.S. PATENT DOCUMENTS

D470,658	S	*	2/2003	Chunn	D3/282
D572,479	S	*	7/2008	Buck	D3/282
D600,015	S	*	9/2009	Wenchel	D3/294
D601,797	S	*	10/2009	Wenchel	D3/294
D608,094	S	*	1/2010	Concari	D3/282
D719,352	S	*	12/2014	Shitrit	D3/282
D738,106	S	*	9/2015	Shitrit	D3/276
D785,938	S	*	5/2017	Ou	D3/282
D790,221	S	*	6/2017	Yahav	D3/294
D801,685	S	*	11/2017	Meng	D3/294
D808,653	S	*	1/2018	Rayeski	D3/273

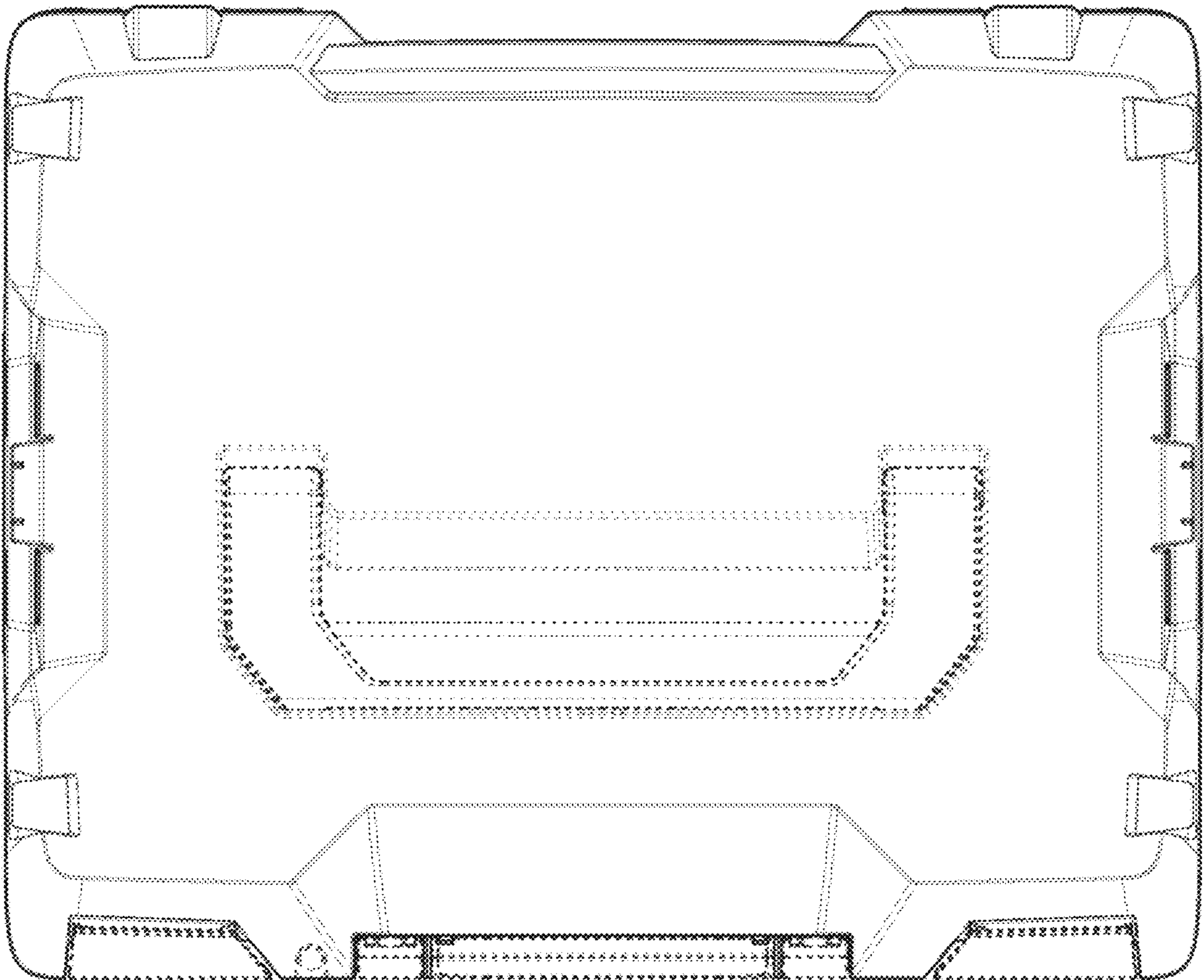
* cited by examiner

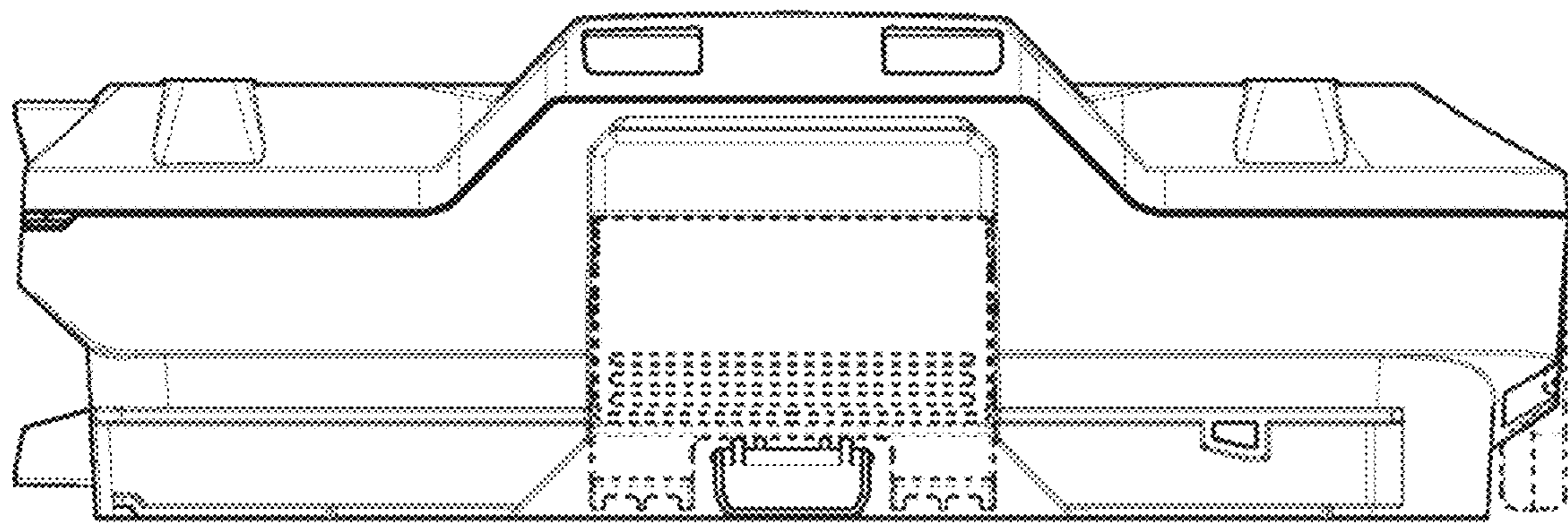


2.1

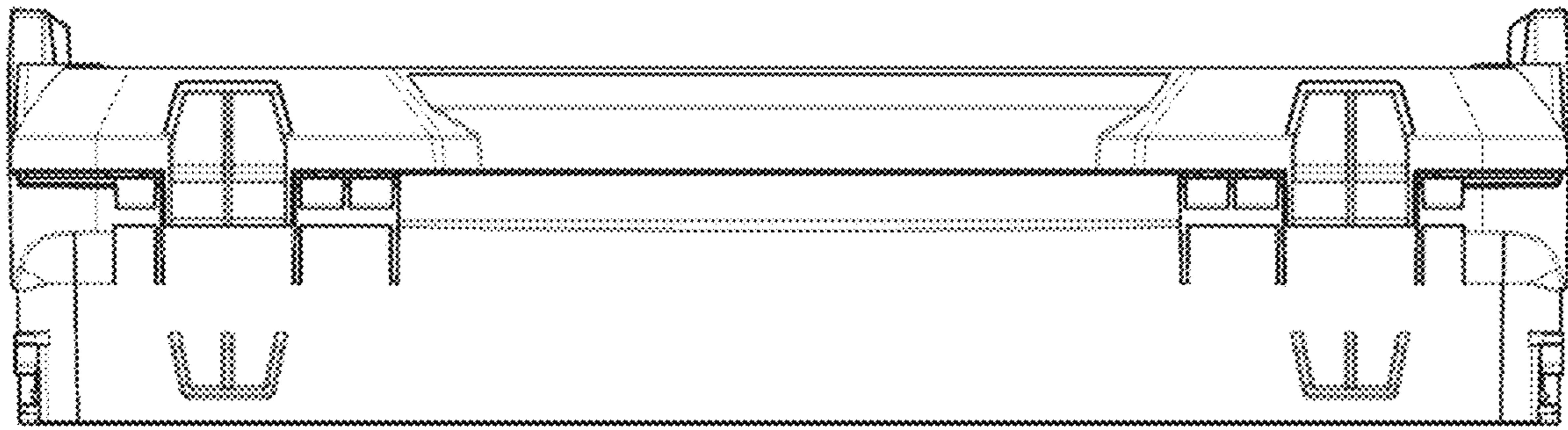


2.2

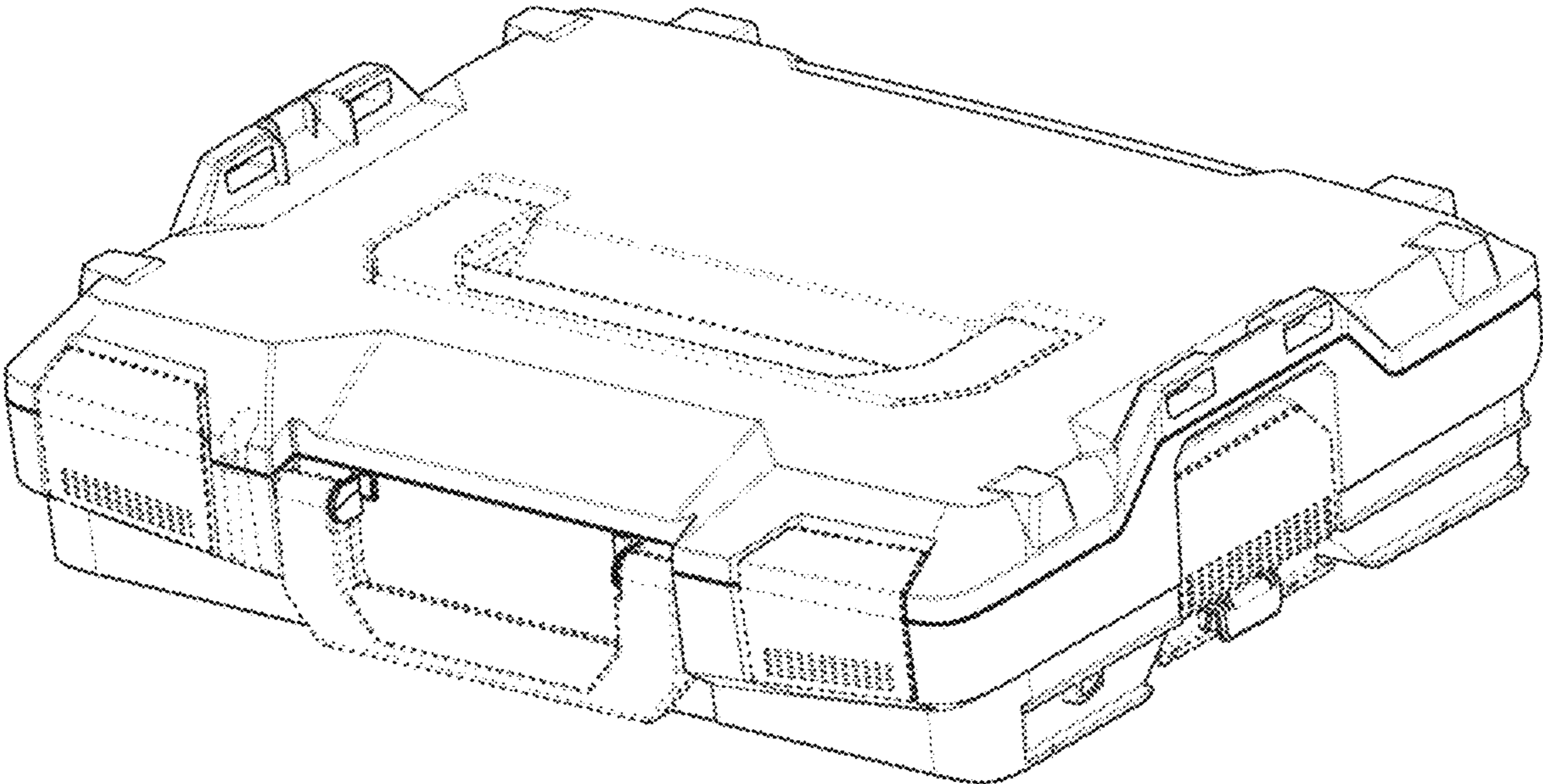




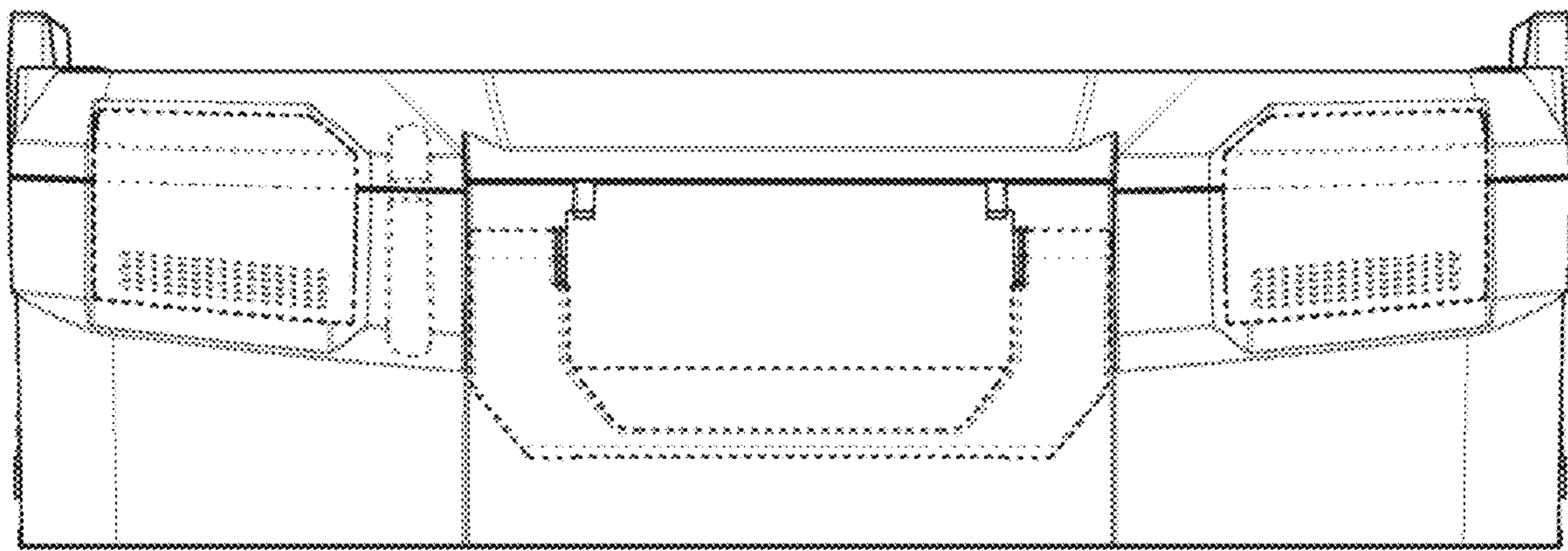
2.4



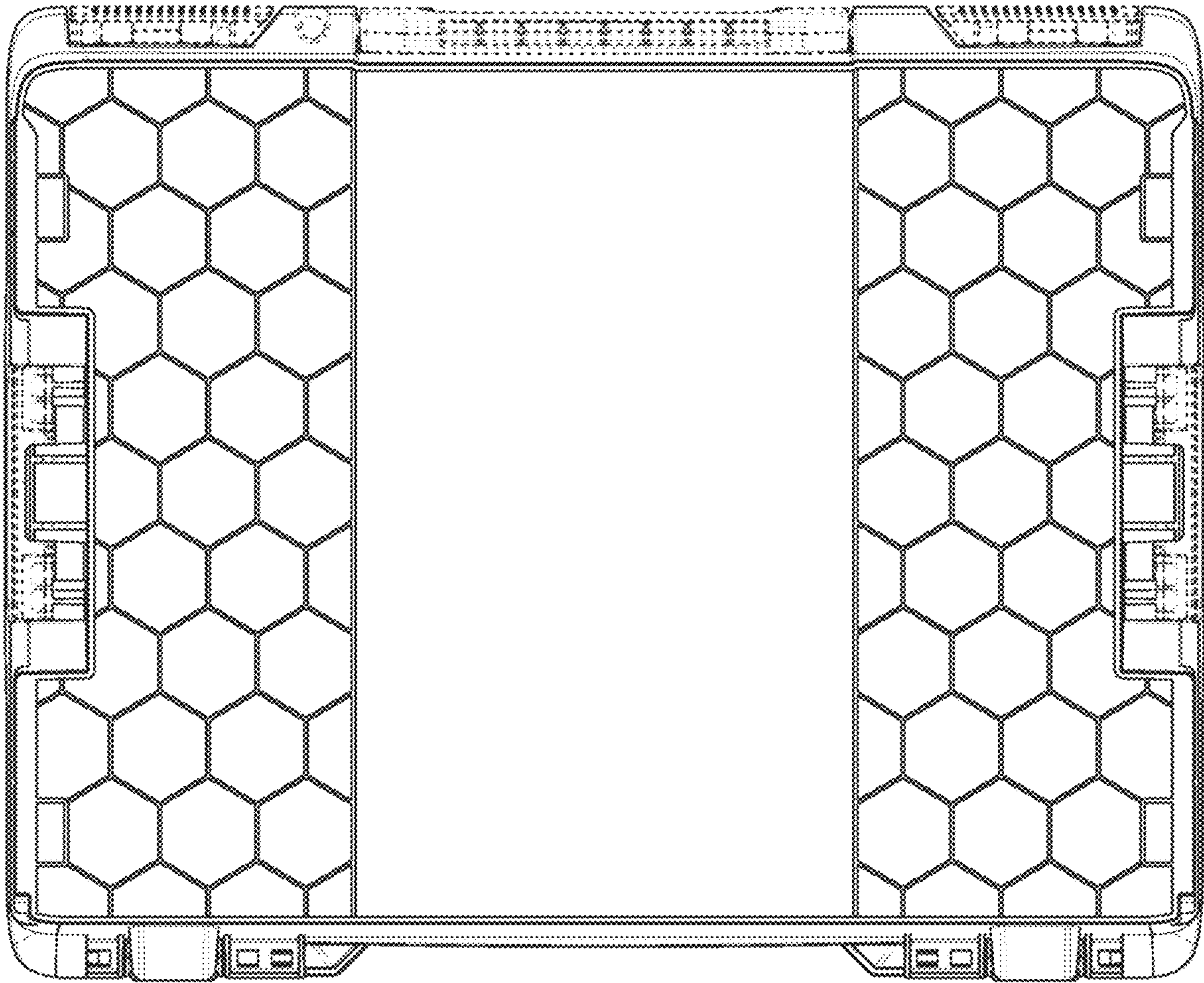
2.5



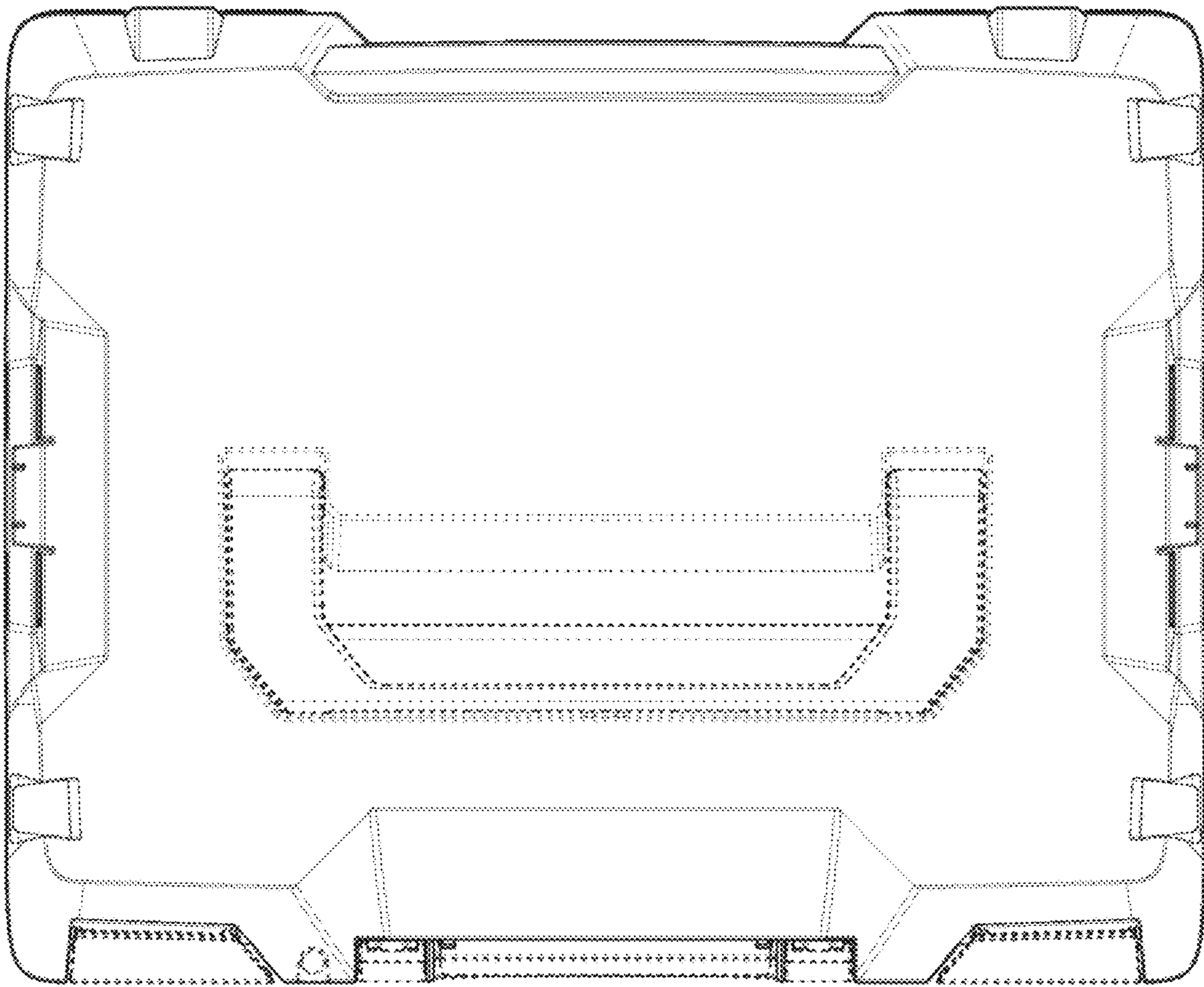
2.6



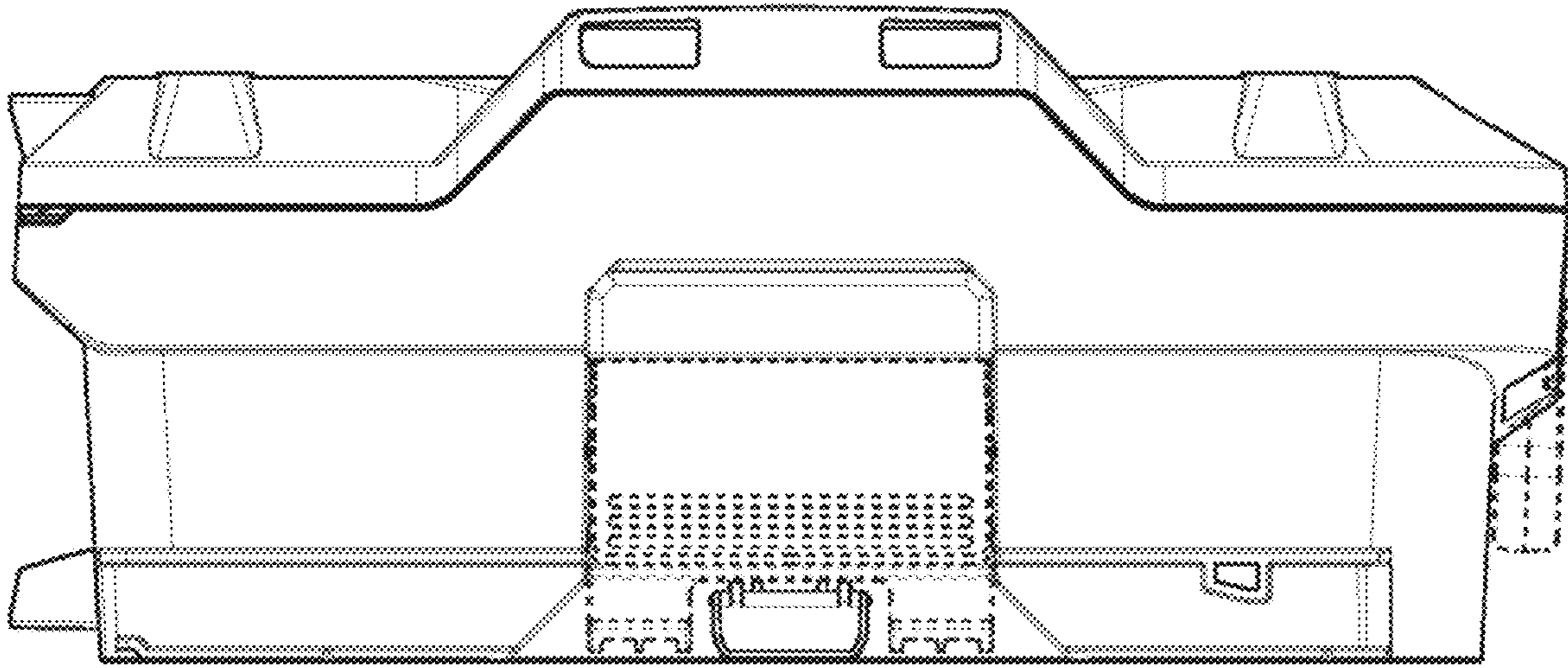
4.1



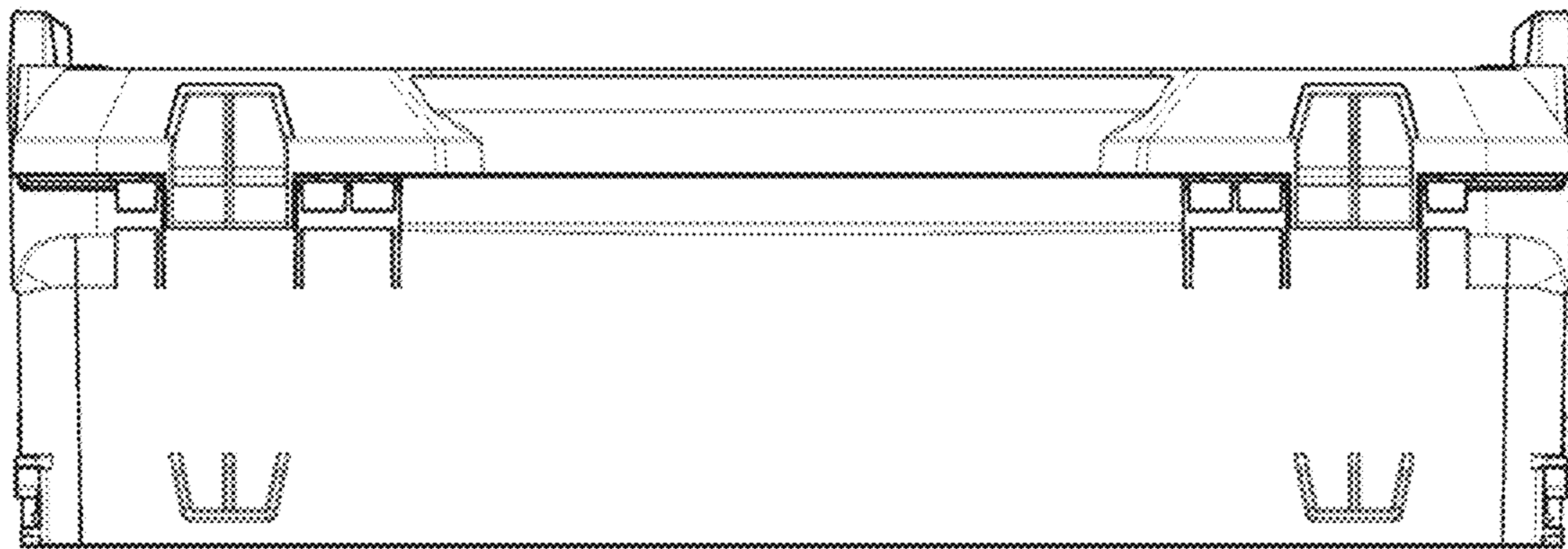
4.2



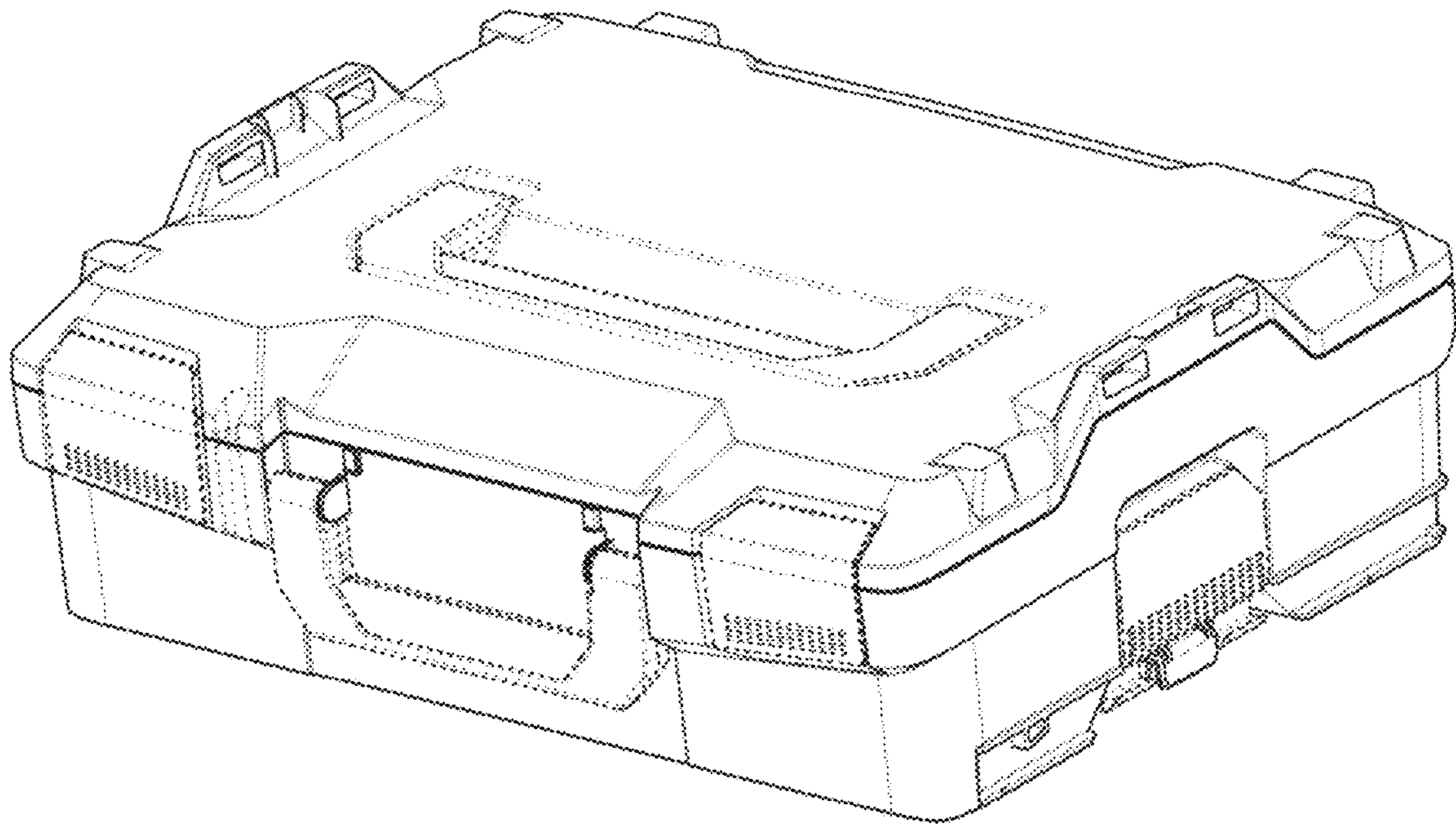
4.3



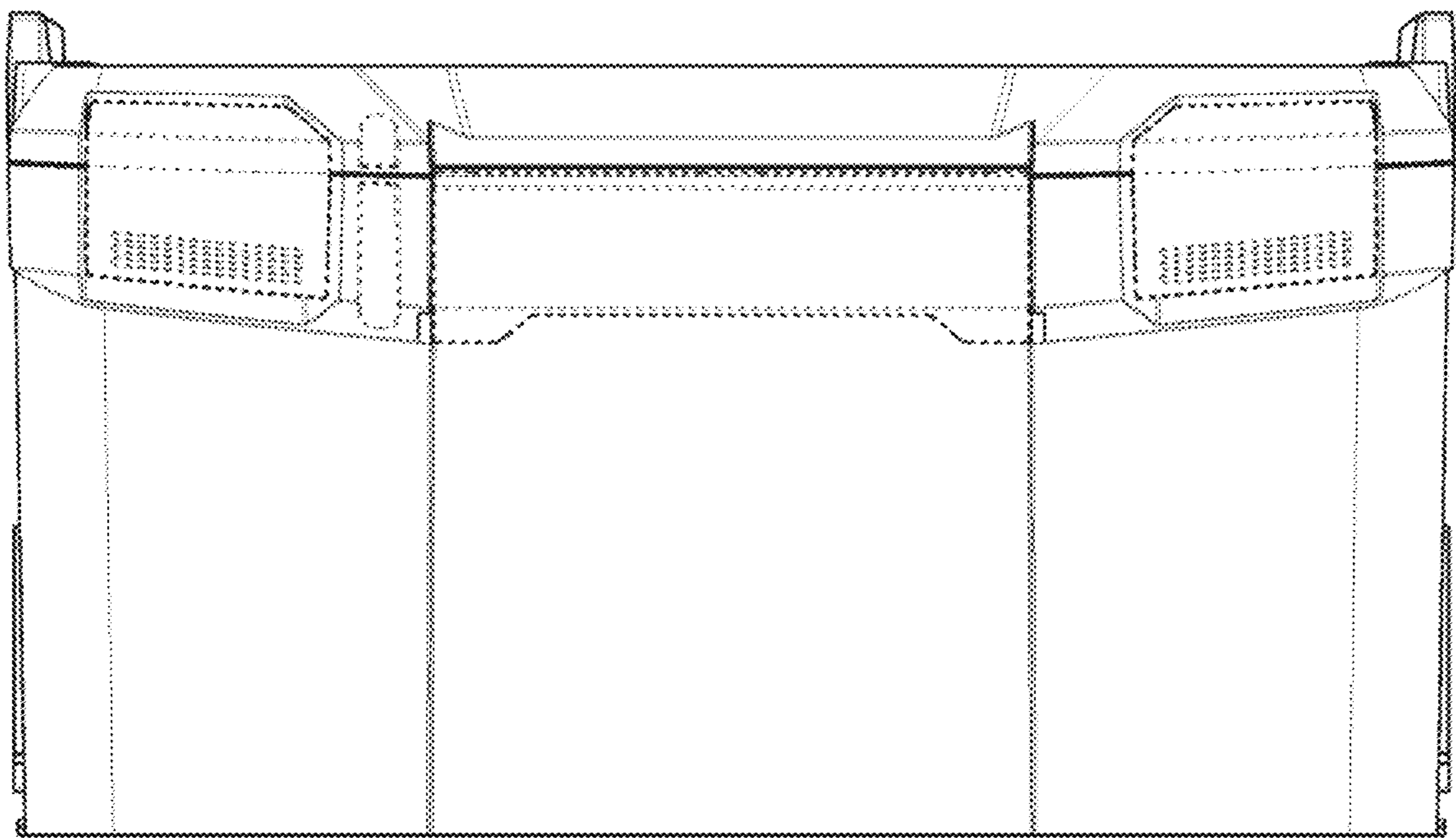
4.4



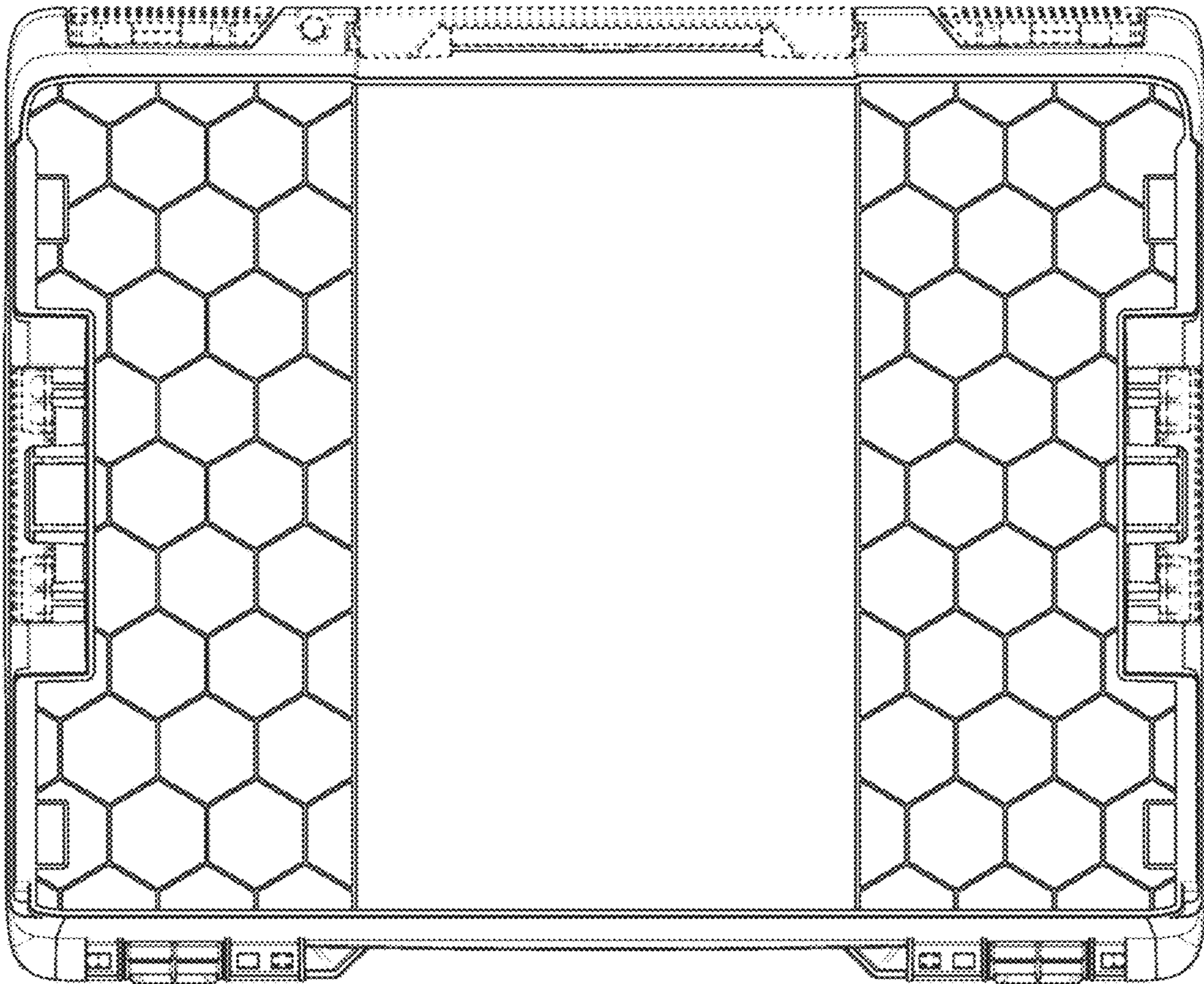
4.5



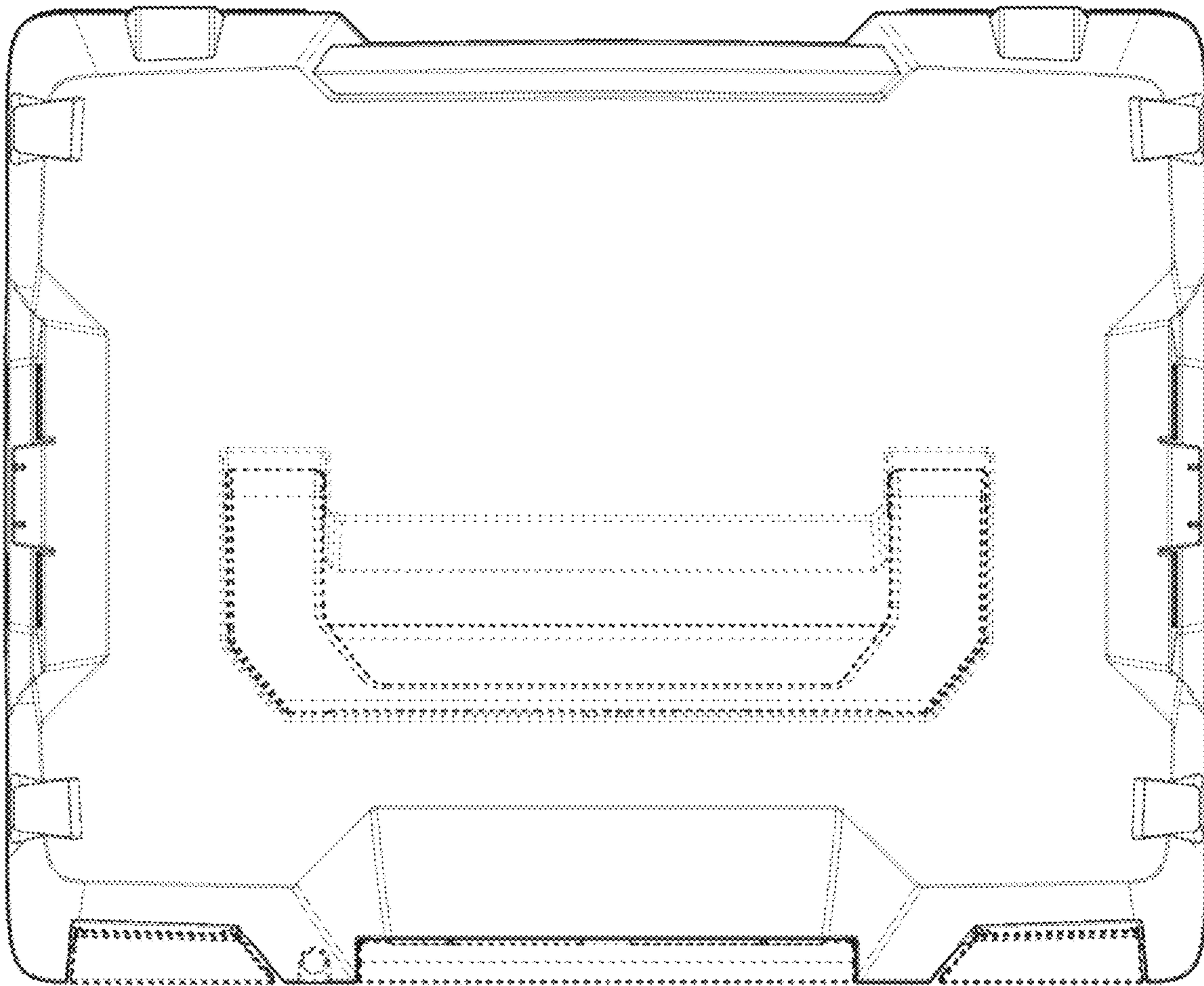
4.6



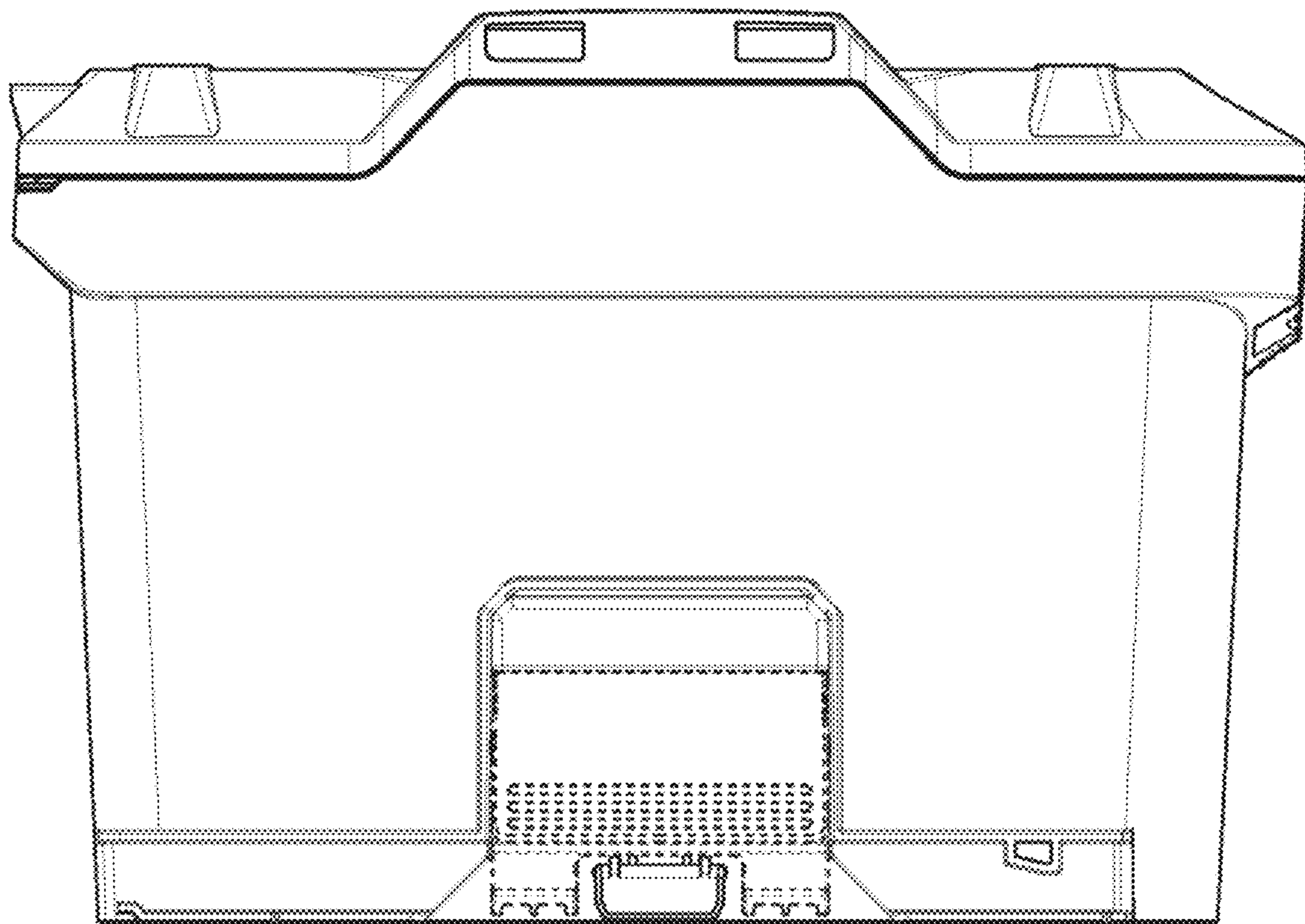
6.1



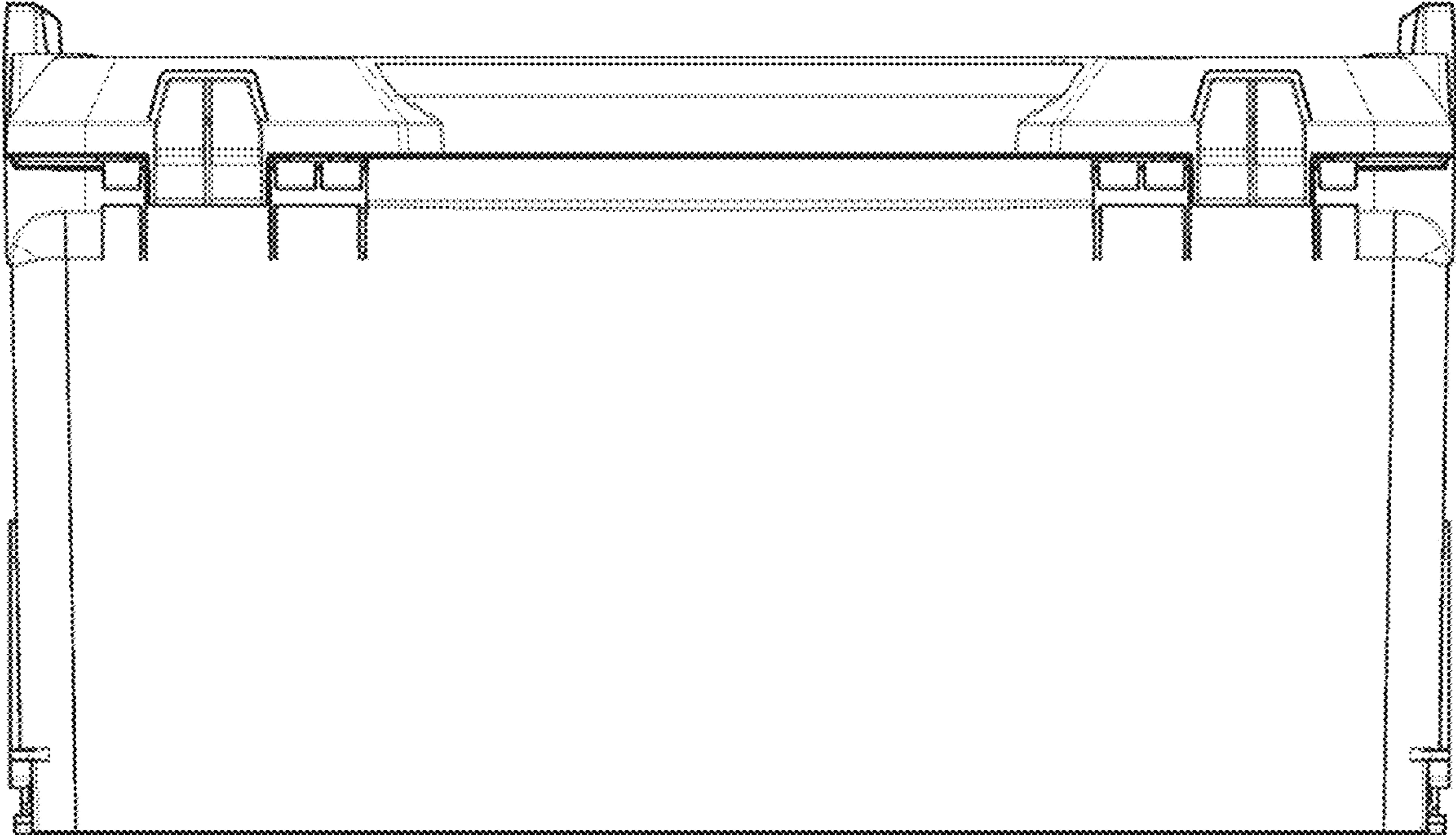
6.2



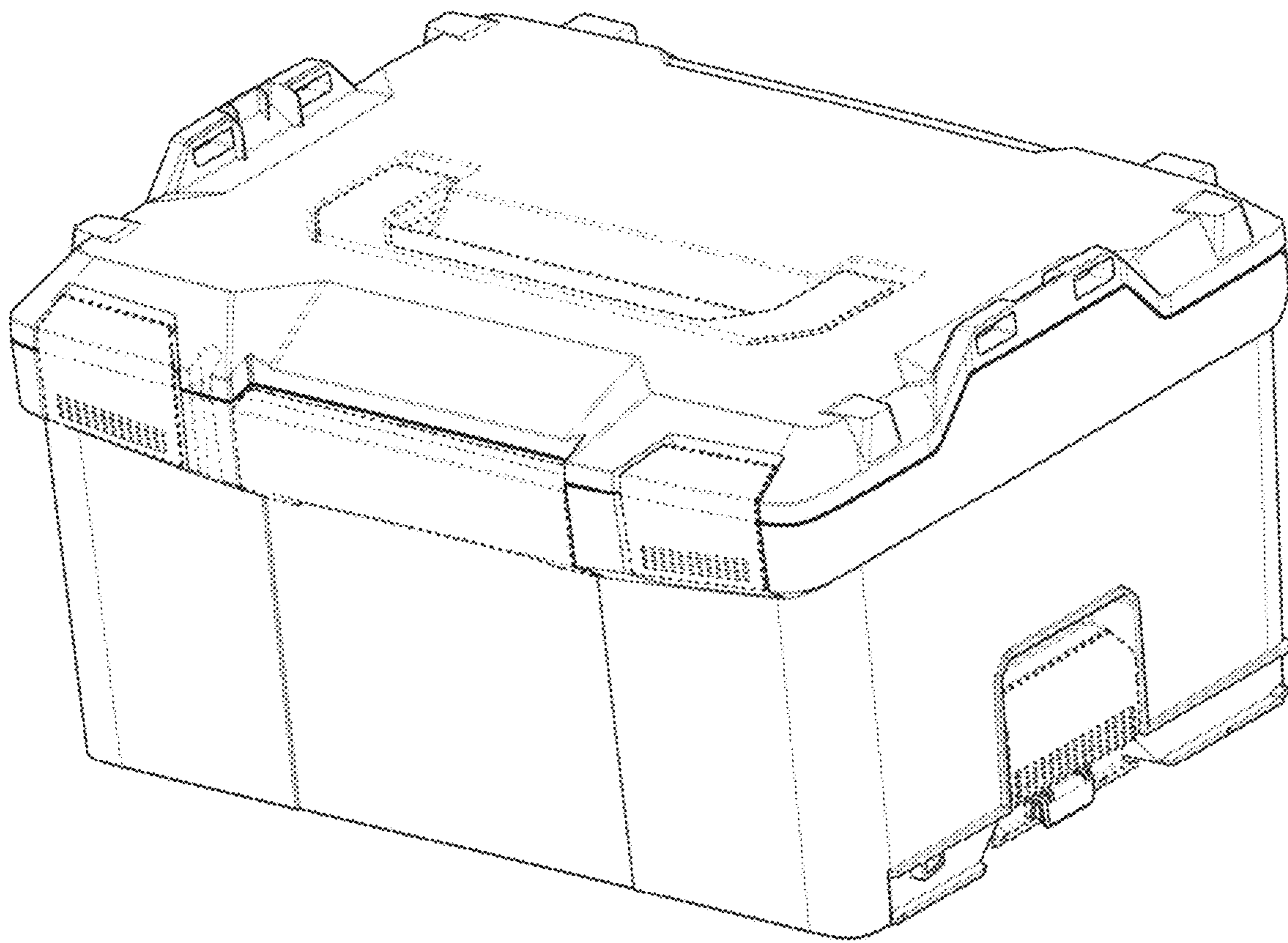
6.3



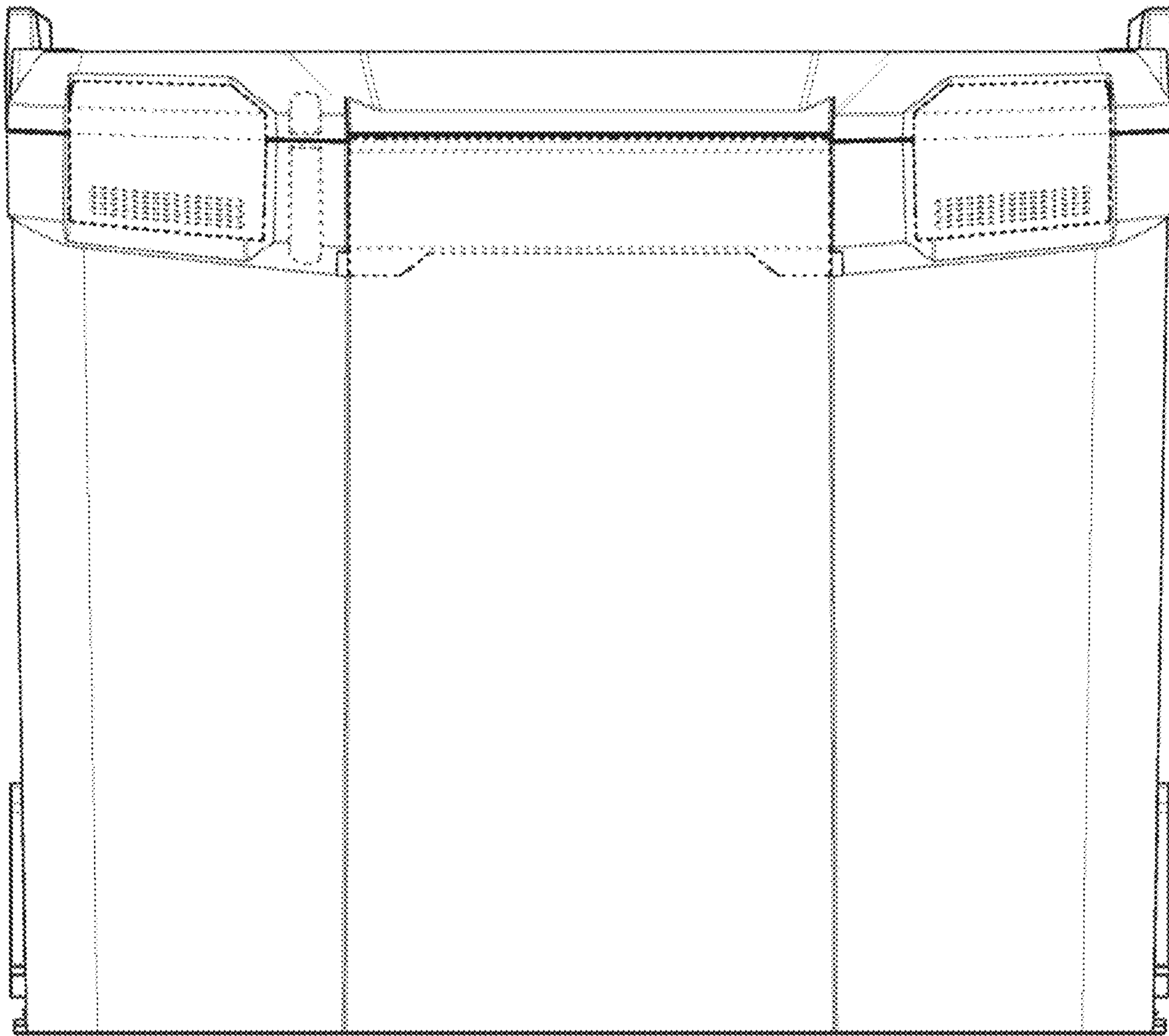
6.4



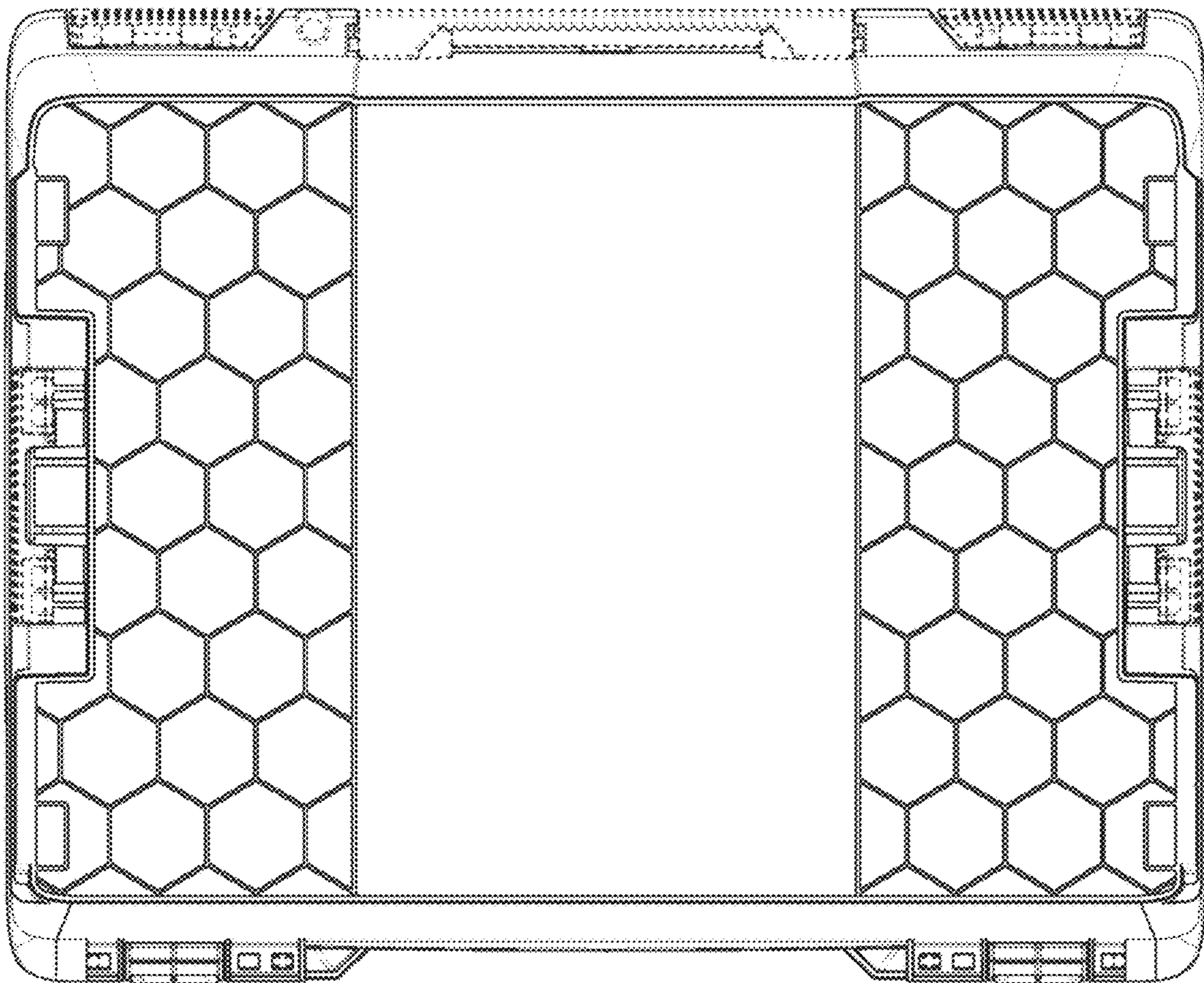
6.5



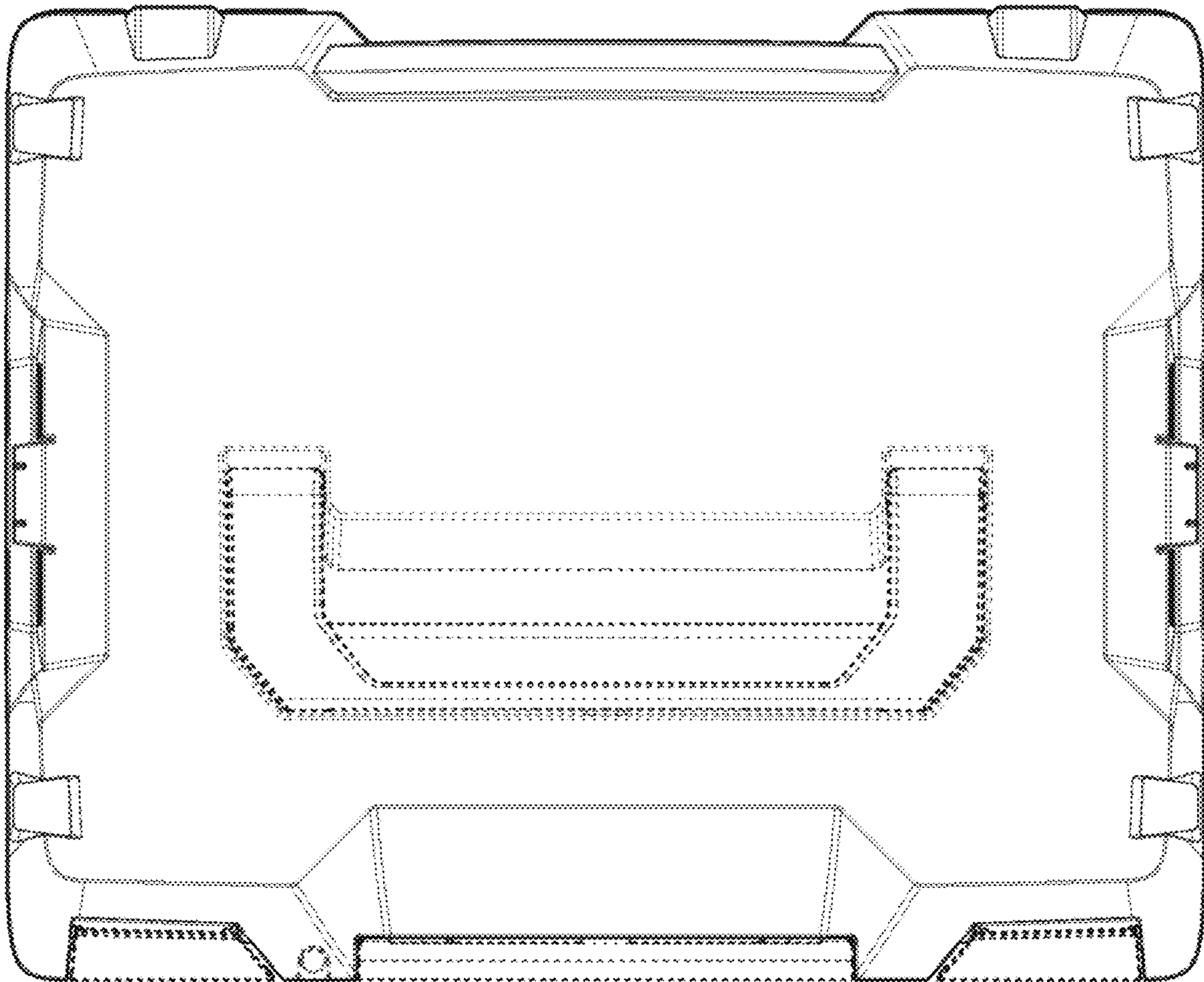
6.6

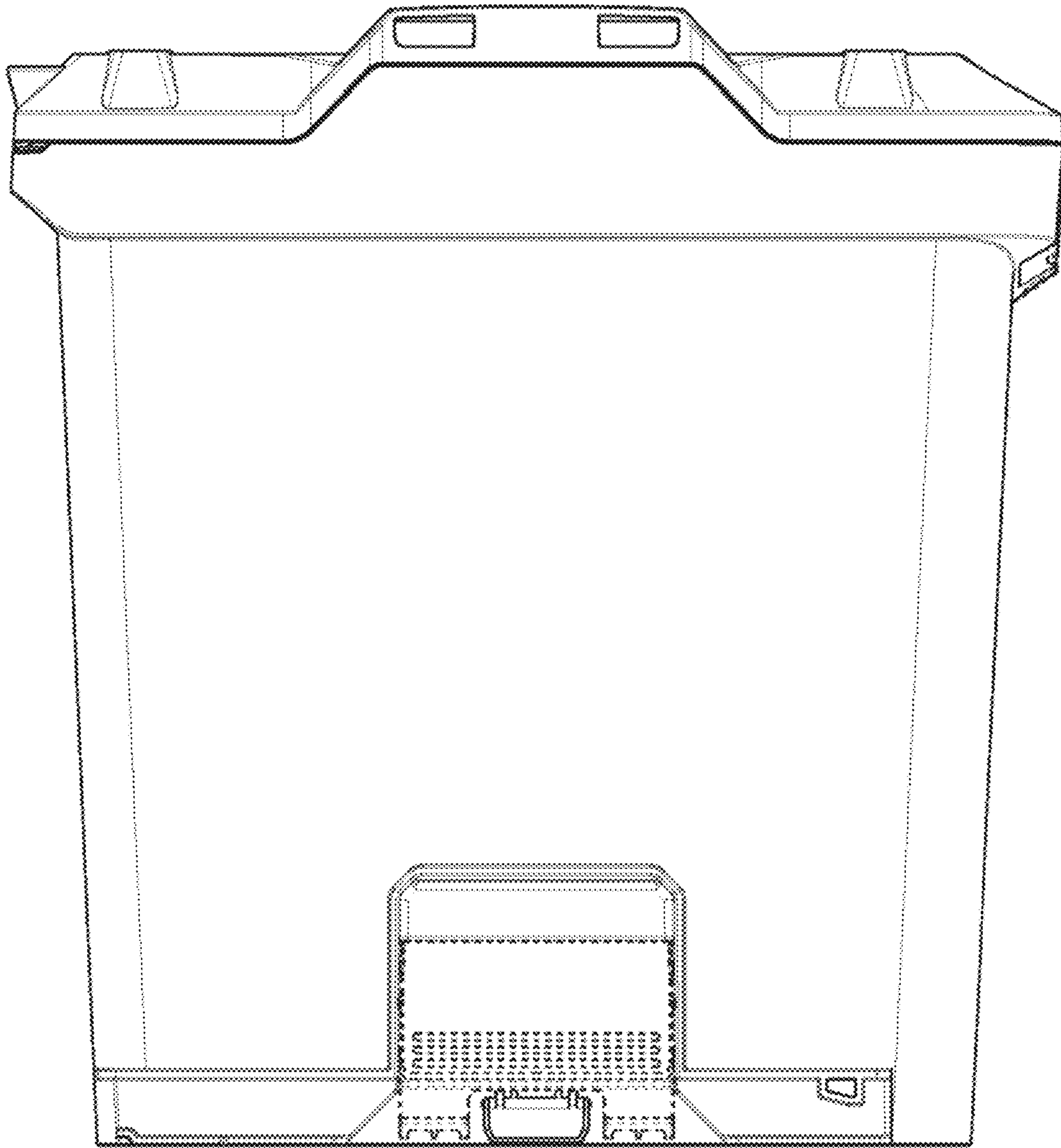


8.1

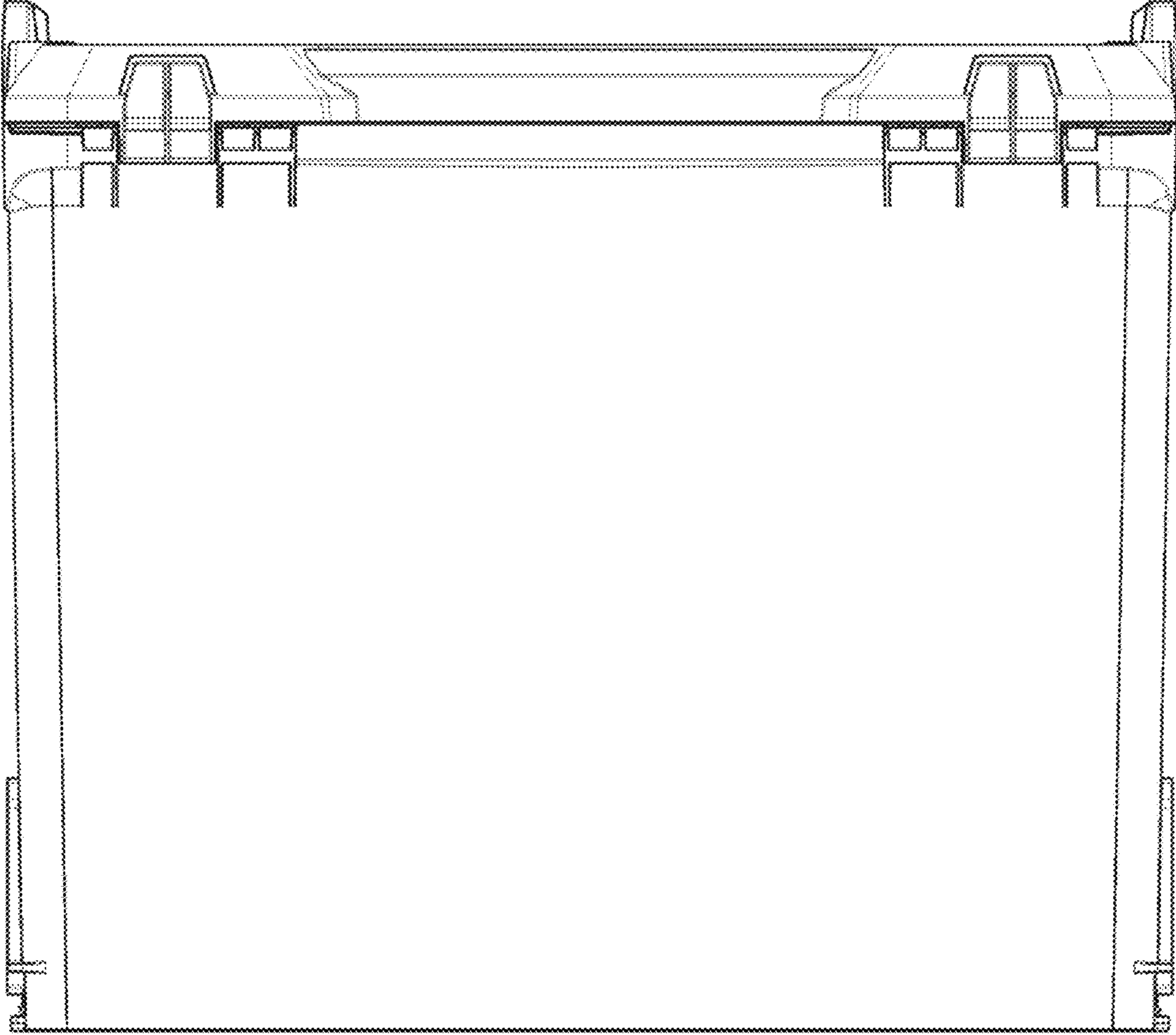


8.2

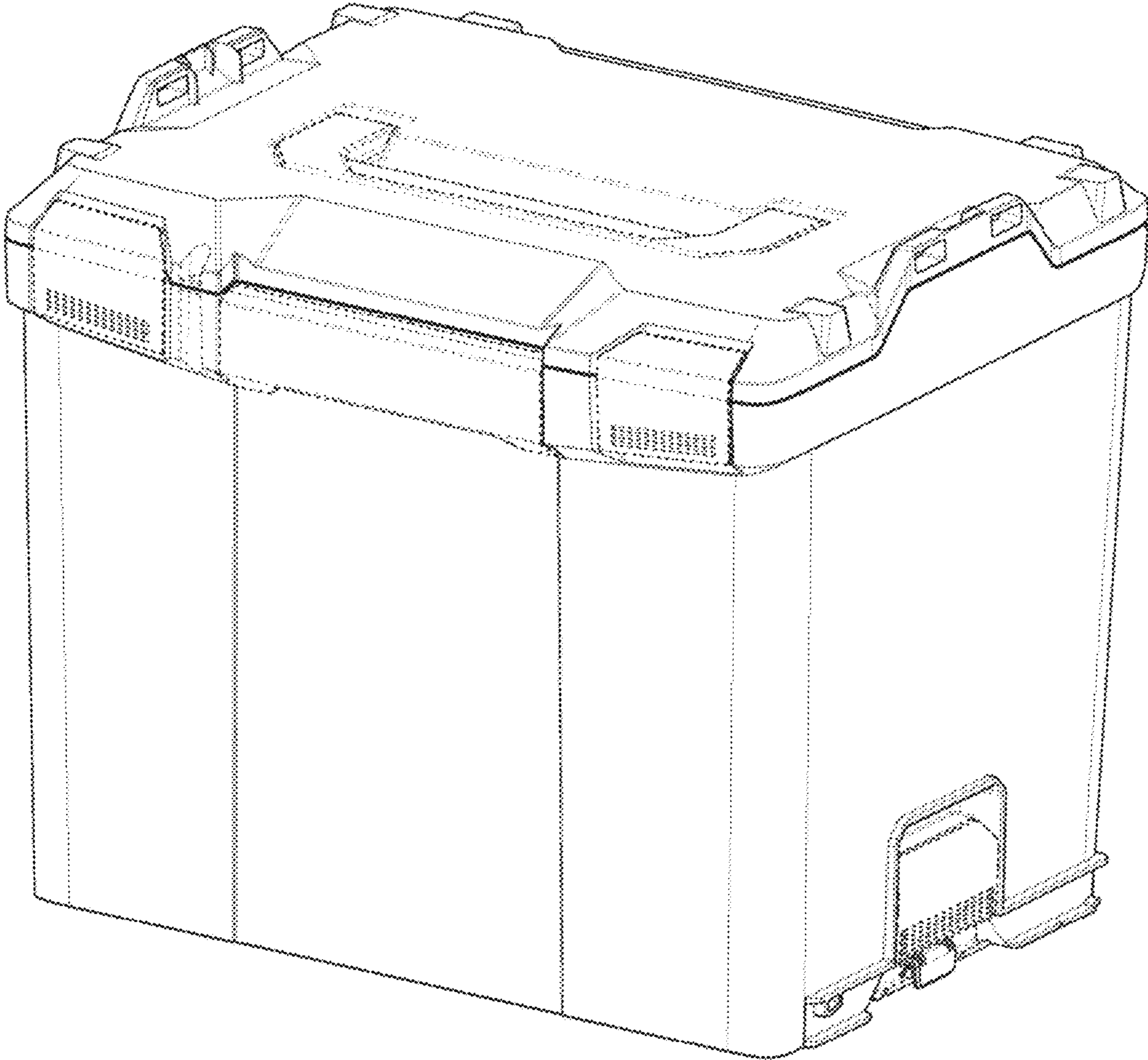




8.4



8.5



8.6