



US00D841980S

(12) **United States Design Patent** (10) **Patent No.:** **US D841,980 S**
Hsu (45) **Date of Patent:** **** Mar. 5, 2019**

(54) **CONTAINER**

(71) Applicant: **L&F PLASTICS, CO., LTD.**, Miaoli County (TW)

(72) Inventor: **Mu-Chuan Hsu**, Miaoli County (TW)

(73) Assignee: **L&F Plastics Co., Ltd.**, Miaoli County (TW)

(**) Term: **15 Years**

(21) Appl. No.: **29/612,816**

(22) Filed: **Aug. 4, 2017**

(30) **Foreign Application Priority Data**

Feb. 20, 2017 (TW) 105307556D02
Feb. 20, 2017 (TW) 105307558D02
Mar. 28, 2017 (TW) 105307556D03
Mar. 28, 2017 (TW) 105307558D03

(51) **LOC (11) Cl.** **03-01**

(52) **U.S. Cl.**
USPC **D3/273**

(58) **Field of Classification Search**
USPC D3/201, 273, 304, 307, 308, 314, 315;
D7/601
CPC B65D 1/00; B65D 1/22; B65D 71/0003;
B65D 2543/00; B65D 2543/00296
See application file for complete search history.

(56) **References Cited**

U.S. PATENT DOCUMENTS

3,113,680 A * 12/1963 Frater B65D 21/048
206/507
D274,012 S * 5/1984 Williams D3/304
D327,971 S * 7/1992 Cugley D3/304
D538,539 S * 3/2007 Richardson D3/314
D581,159 S * 11/2008 Neilsen D3/304
D581,670 S * 12/2008 Neilsen D3/304
D582,190 S * 12/2008 Valiulis D6/567

D606,314 S * 12/2009 Neilsen D3/313
D639,562 S * 6/2011 Cadwell D3/307
D651,801 S * 1/2012 Brown D3/304
D666,829 S * 9/2012 Liao D3/304

(Continued)

Primary Examiner — Kelley A Donnelly

(74) *Attorney, Agent, or Firm* — Alan D. Kamrath;
Kamrath IP Lawfirm, P.A.

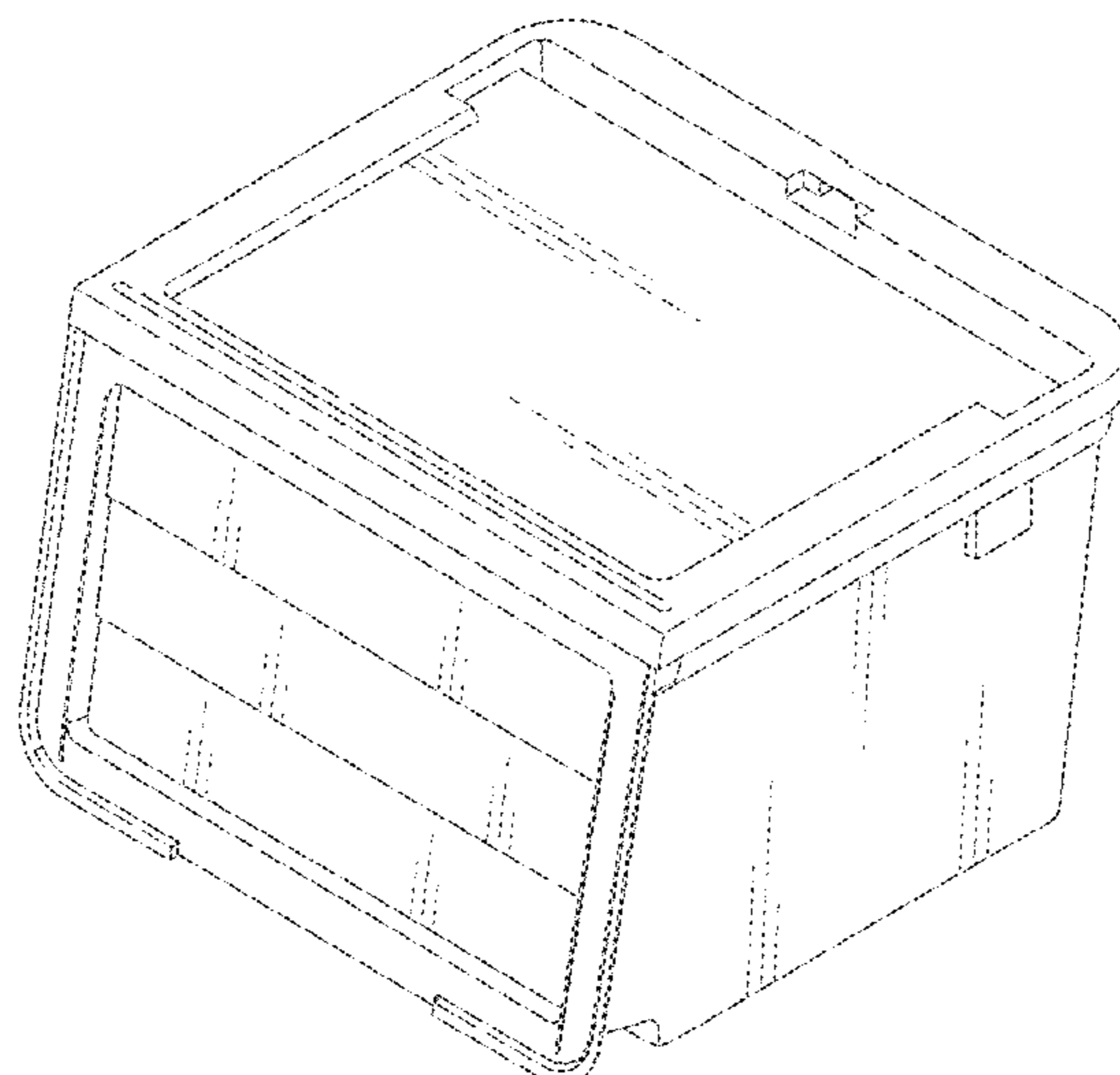
(57) **CLAIM**

The ornamental design for a container, as shown and described.

DESCRIPTION

FIG. 1 is a perspective view of a container showing my new design;
FIG. 2 is a front side elevational view thereof;
FIG. 3 is a rear side elevational view thereof;
FIG. 4 is a right side elevational view thereof, with the left side elevational view being a mirror image thereof;
FIG. 5 is a top plan view thereof;
FIG. 6 is a bottom plan view thereof;
FIG. 7 is a rear perspective view thereof;
FIG. 8 is a perspective view of article in use thereof;
FIG. 9 is a perspective view showing a container of an alternate embodiment of my design;
FIG. 10 is a front side elevational view of the container of FIG. 9;
FIG. 11 is a rear side elevational view of the container of FIG. 9;
FIG. 12 is a right side elevational view of the container of FIG. 9, with the left side elevational view being a mirror image of the container of FIG. 9;
FIG. 13 is a top plan view of the container of FIG. 9;
FIG. 14 is a bottom plan view of the container of FIG. 9;
FIG. 15 is a rear perspective view of the container of FIG. 9; and,
FIG. 16 is a perspective view of article in use of the container of FIG. 9.

1 Claim, 16 Drawing Sheets



(56)

References Cited

U.S. PATENT DOCUMENTS

D683,962 S *	6/2013	Brunner	D3/304
D699,034 S *	2/2014	Engert	D3/304
D731,185 S *	6/2015	Hsu	D3/304
D731,186 S *	6/2015	Hsu	D3/304
D731,794 S *	6/2015	Hurst	D3/304
D745,781 S *	12/2015	Hsu	D3/304
D762,065 S *	7/2016	Hsu	D3/304
D766,574 S *	9/2016	Hsu	D3/304
D777,428 S *	1/2017	Hsu	D3/273
D778,608 S *	2/2017	Hsu	D3/294

* cited by examiner

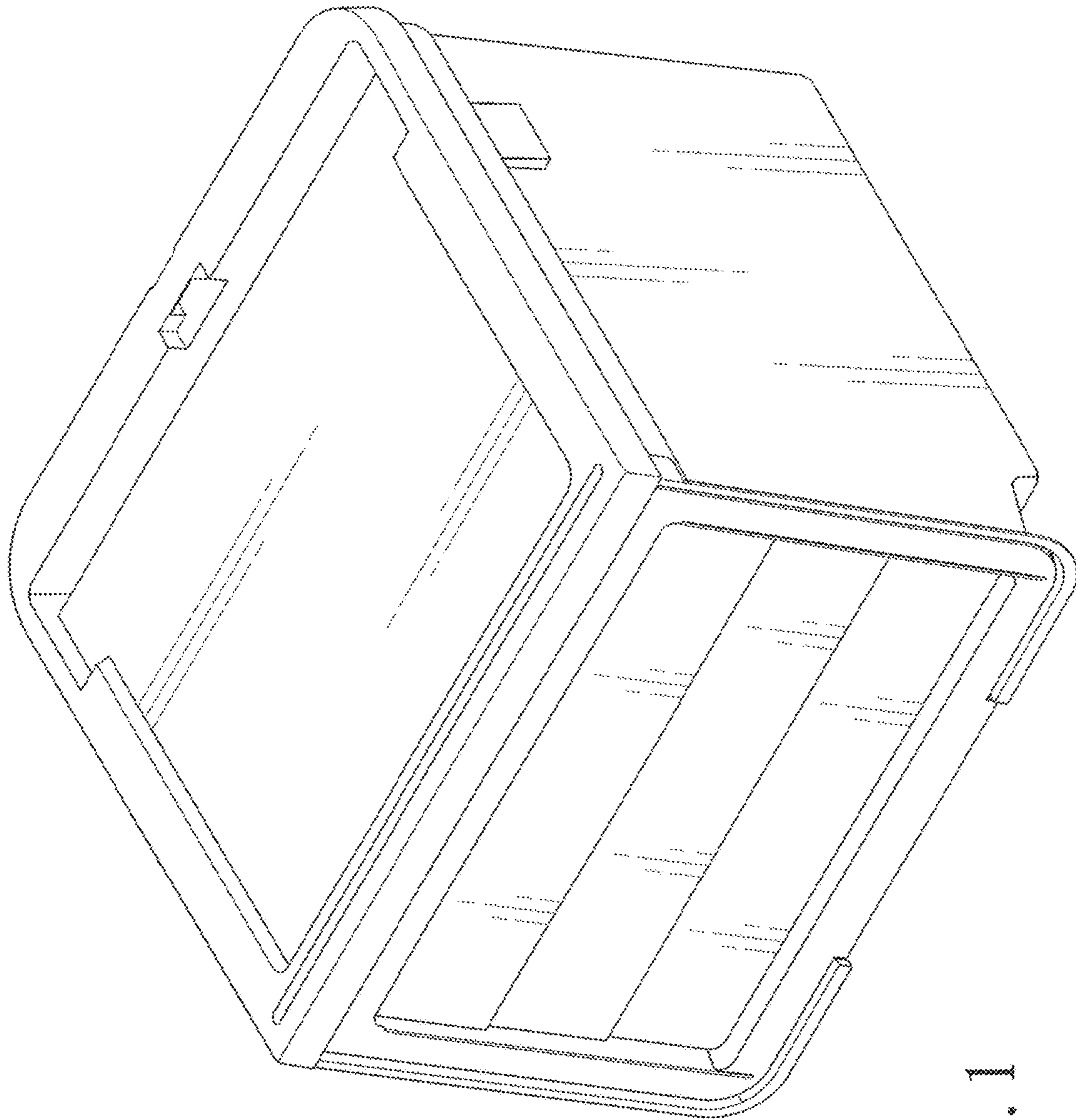


FIG. 1

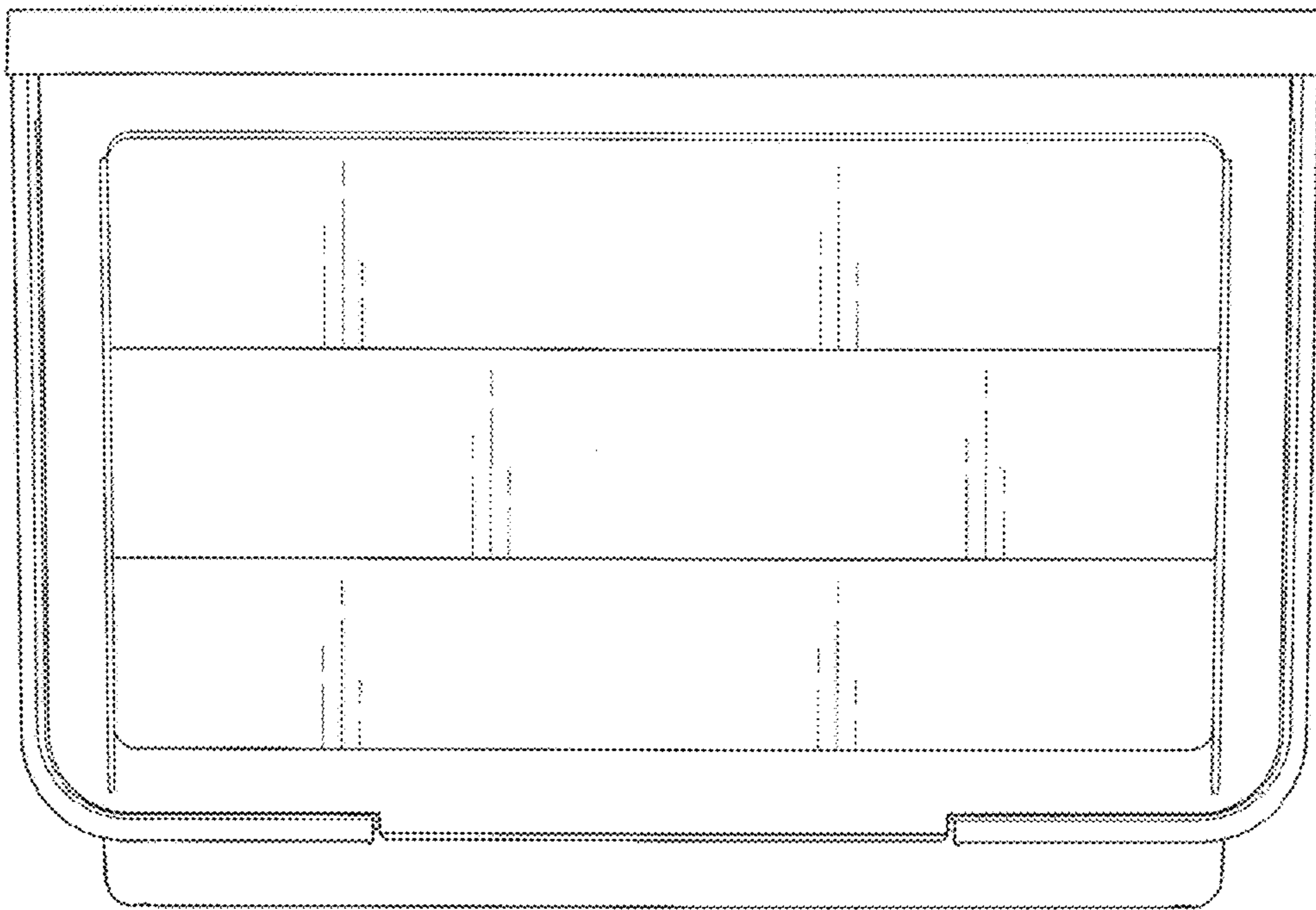


FIG. 2

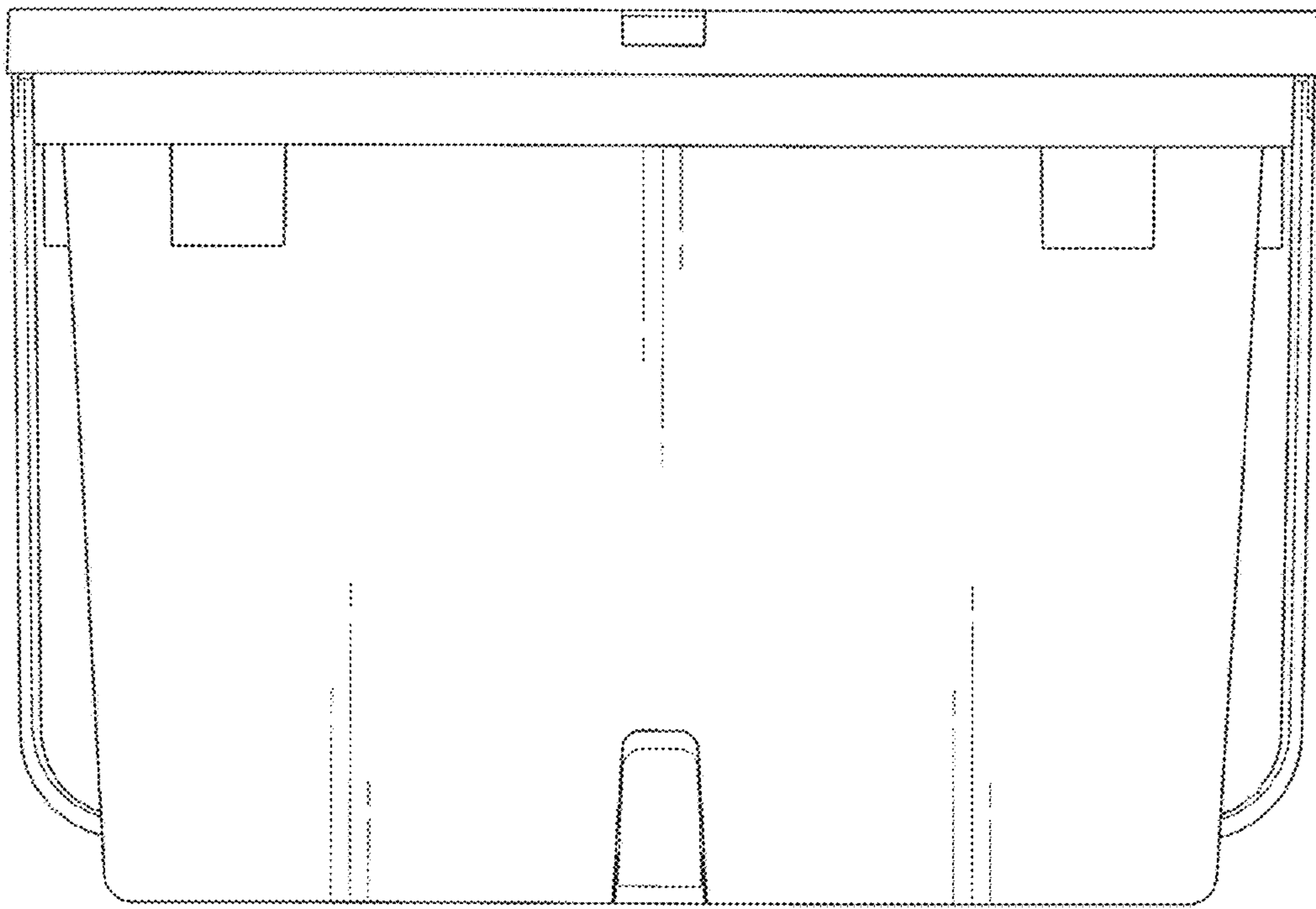


FIG. 3

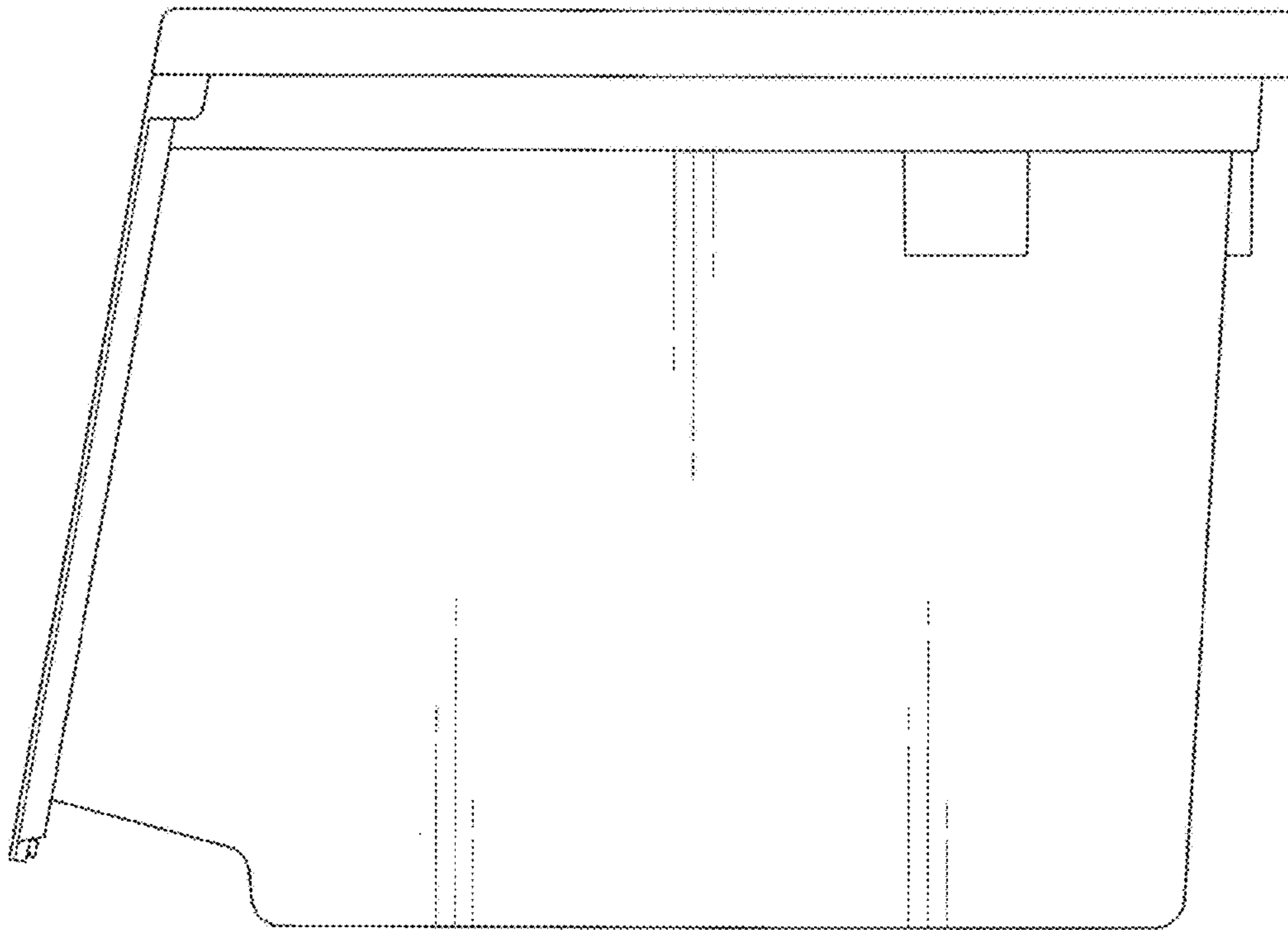


FIG. 4

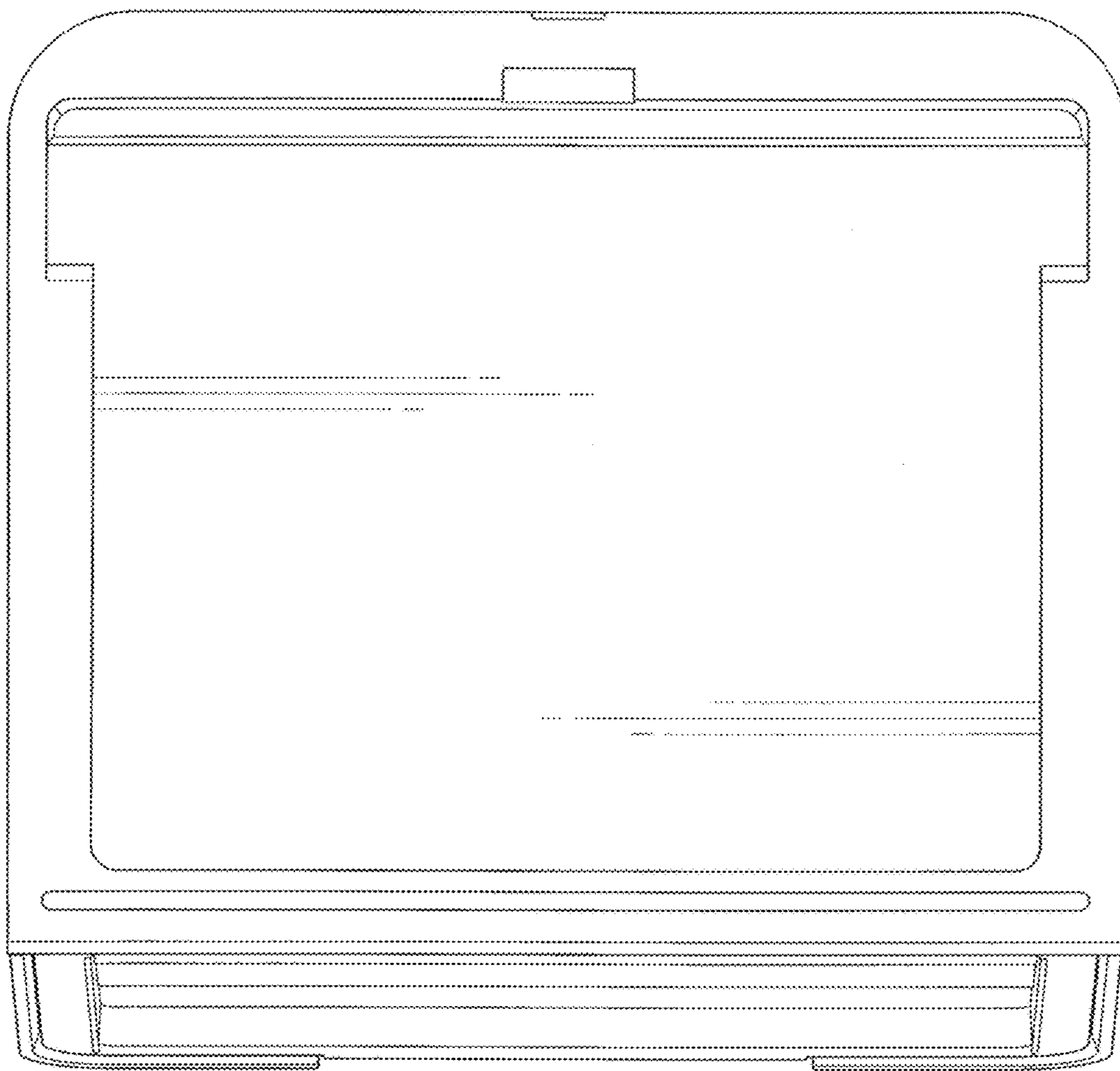


FIG. 5

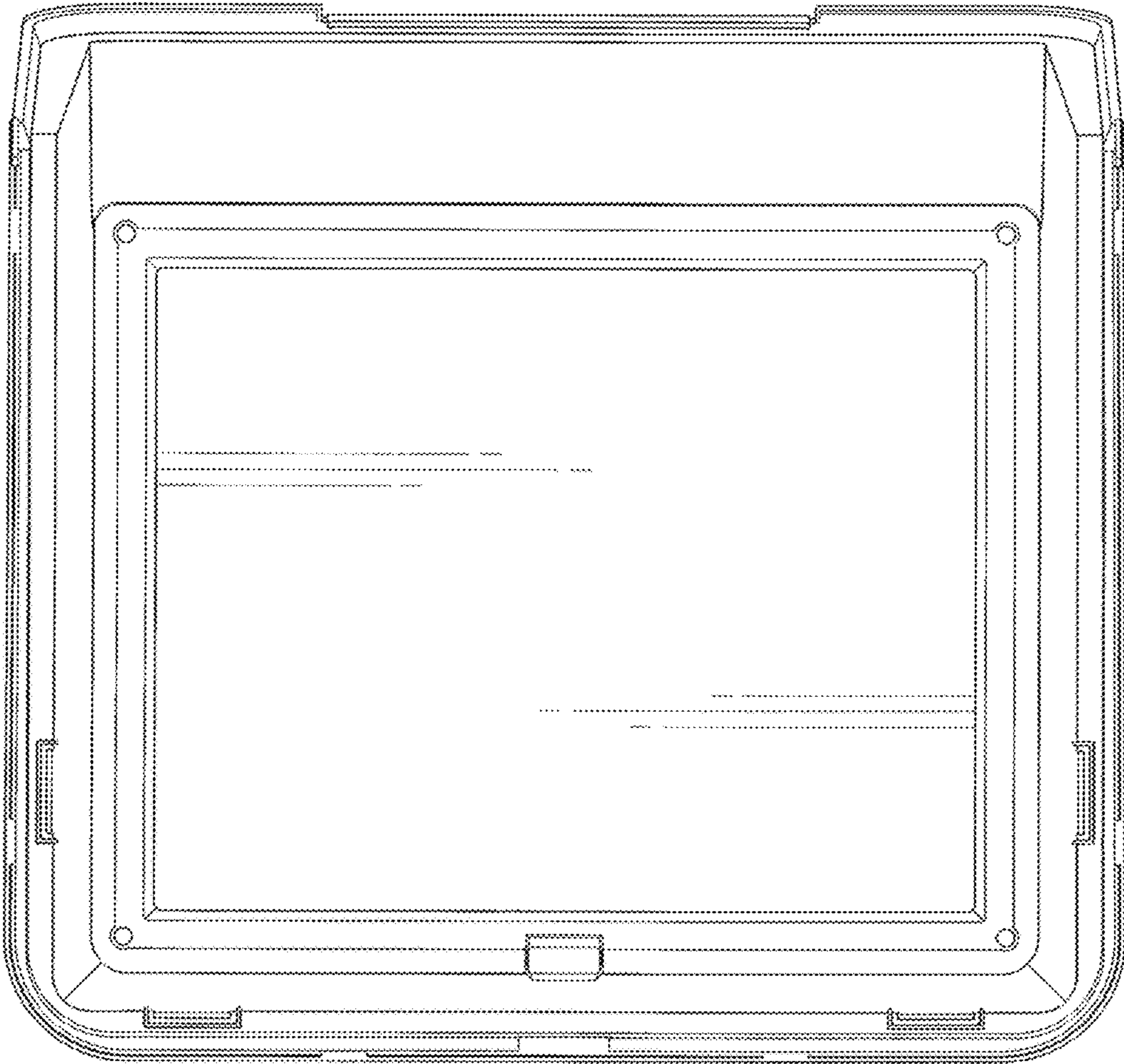


FIG. 6

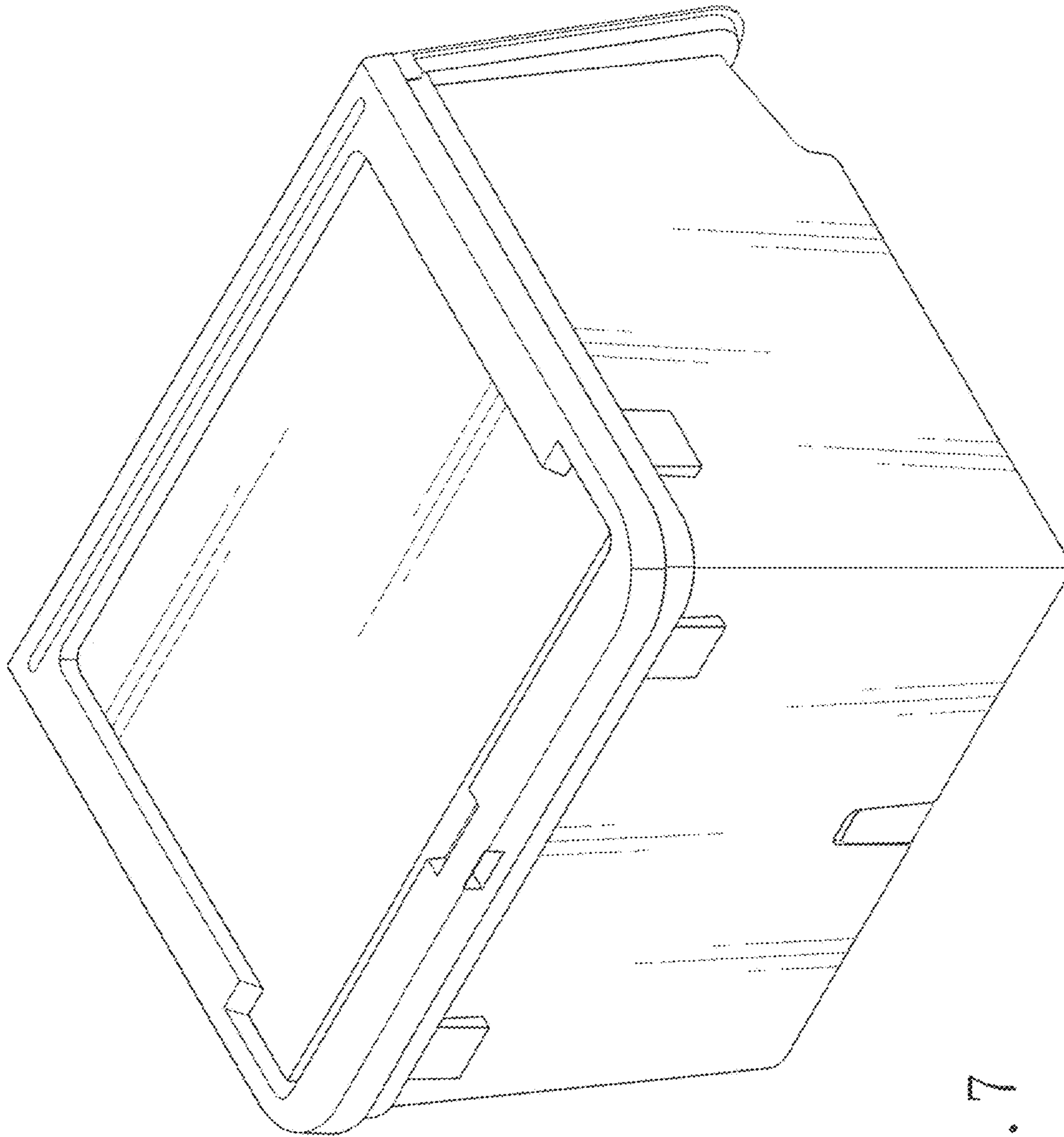


FIG. 7

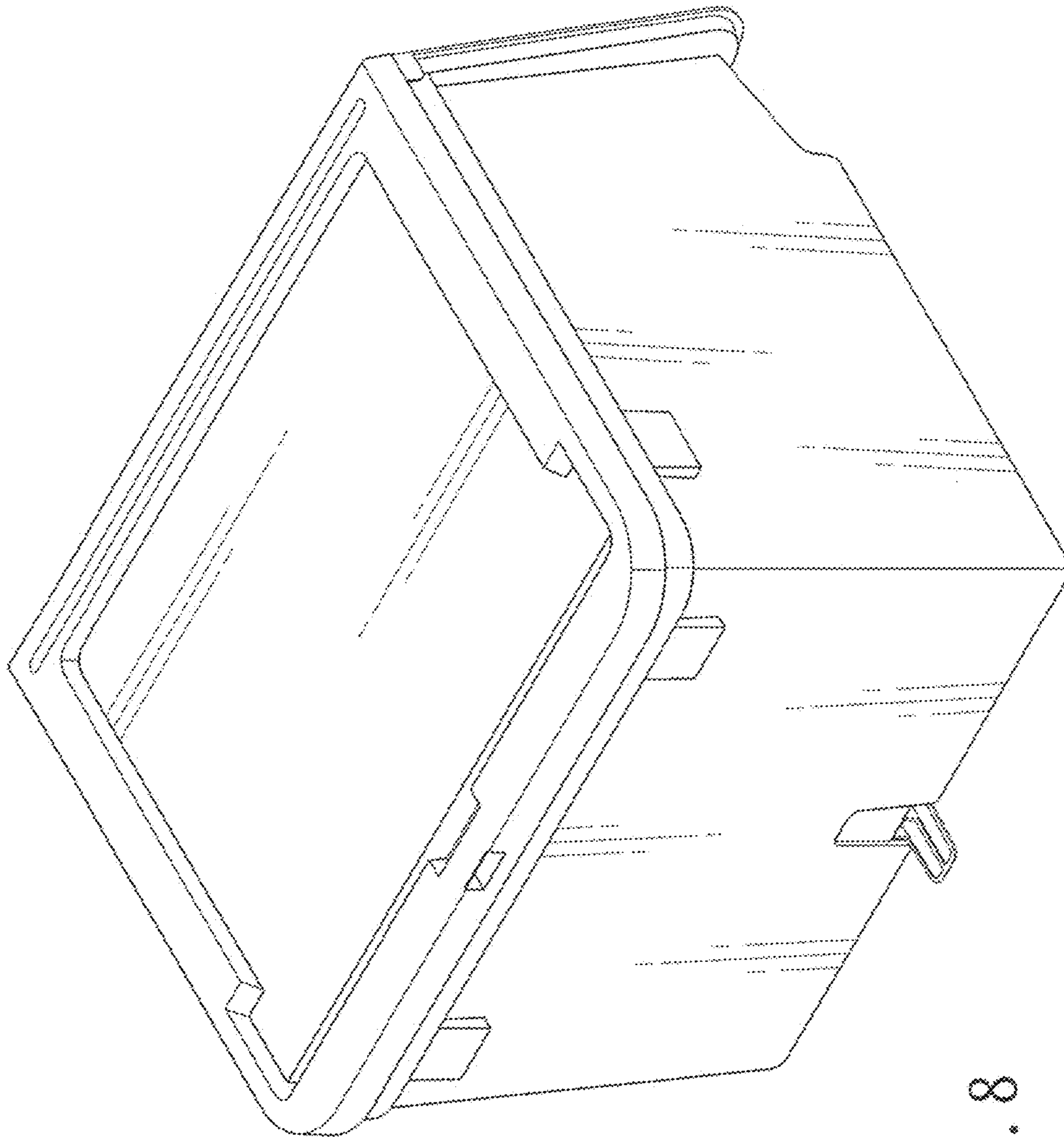


FIG. 8

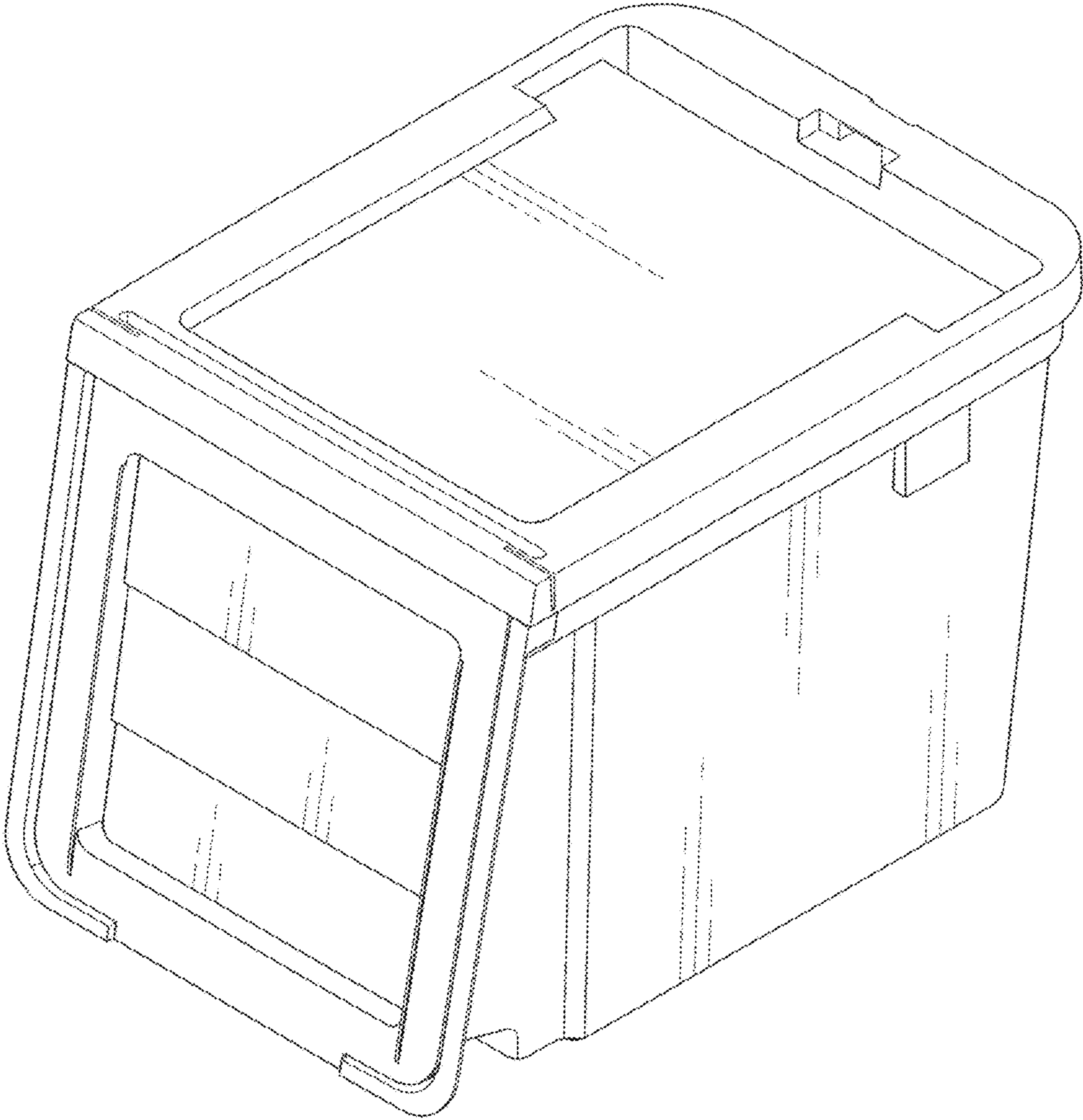


FIG. 9

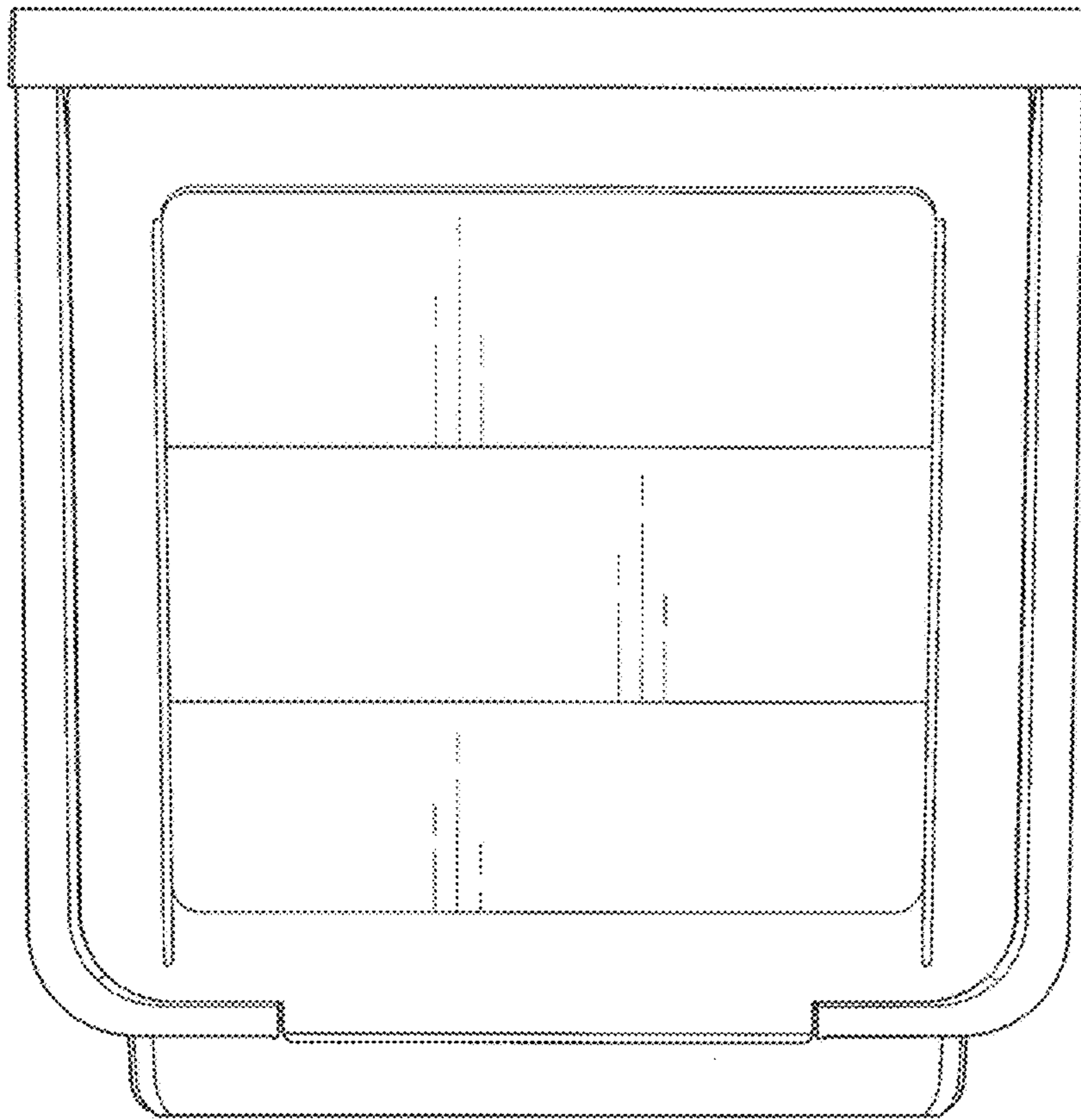


FIG. 10

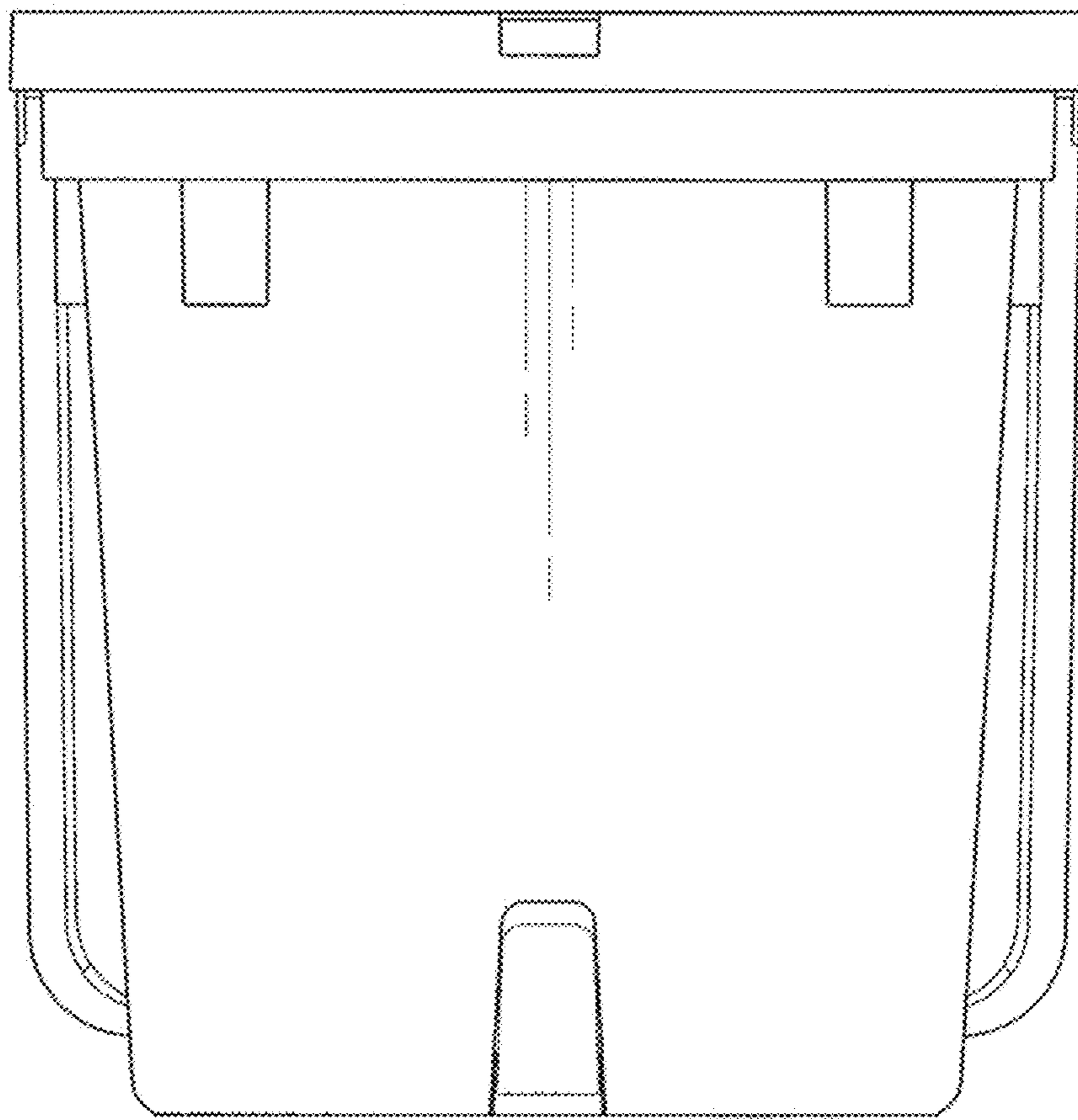


FIG. 11

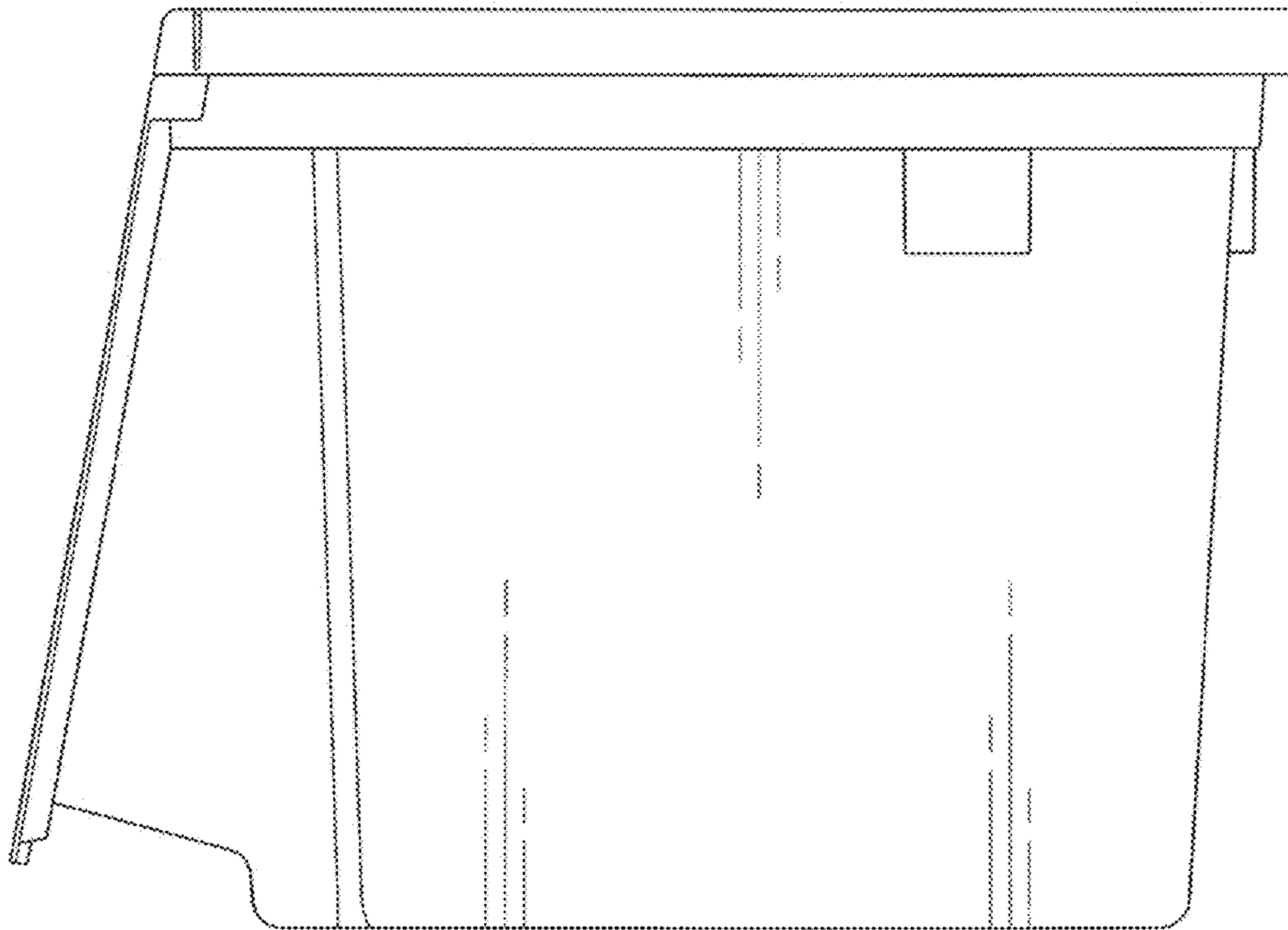


FIG. 12

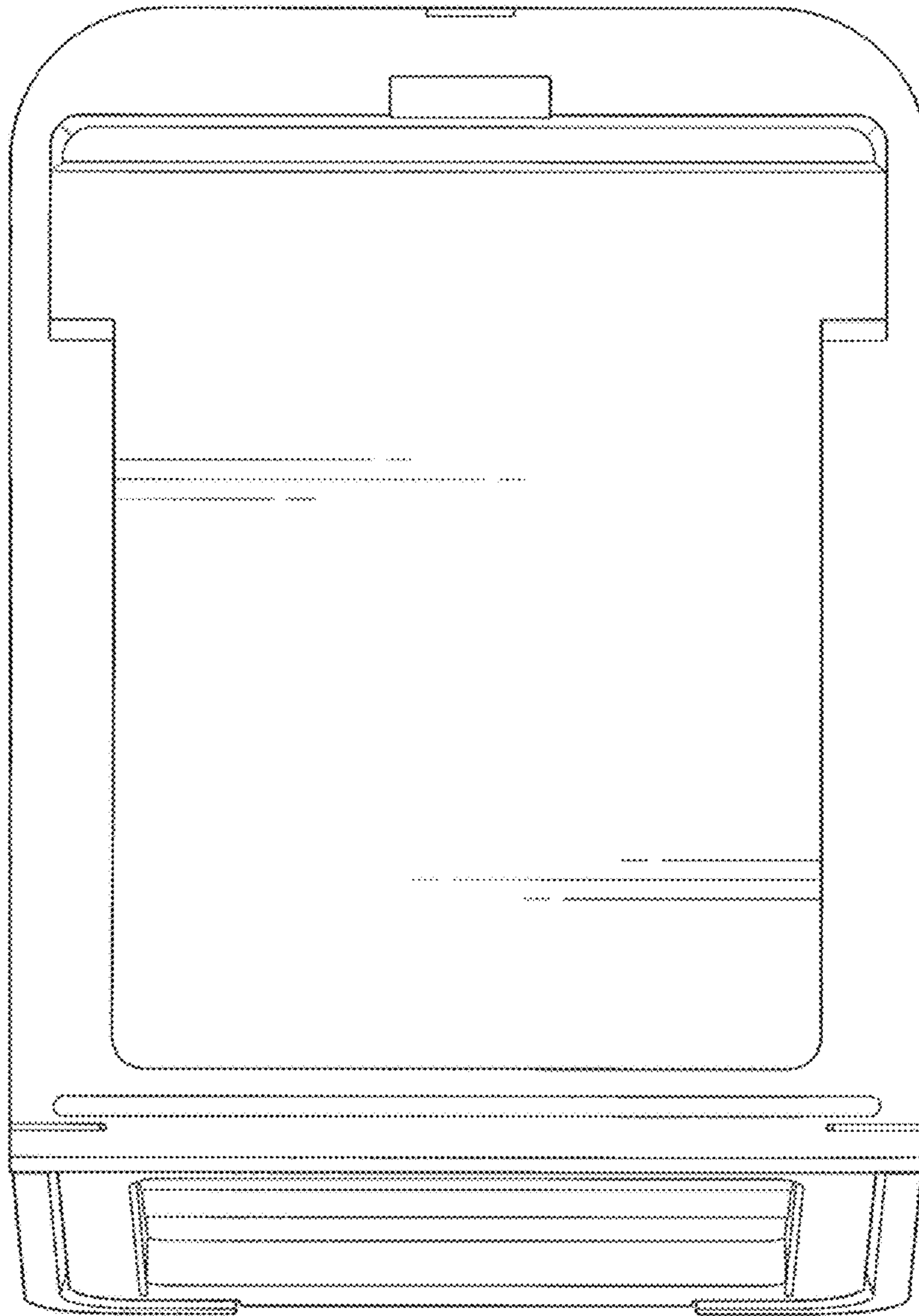


FIG. 13

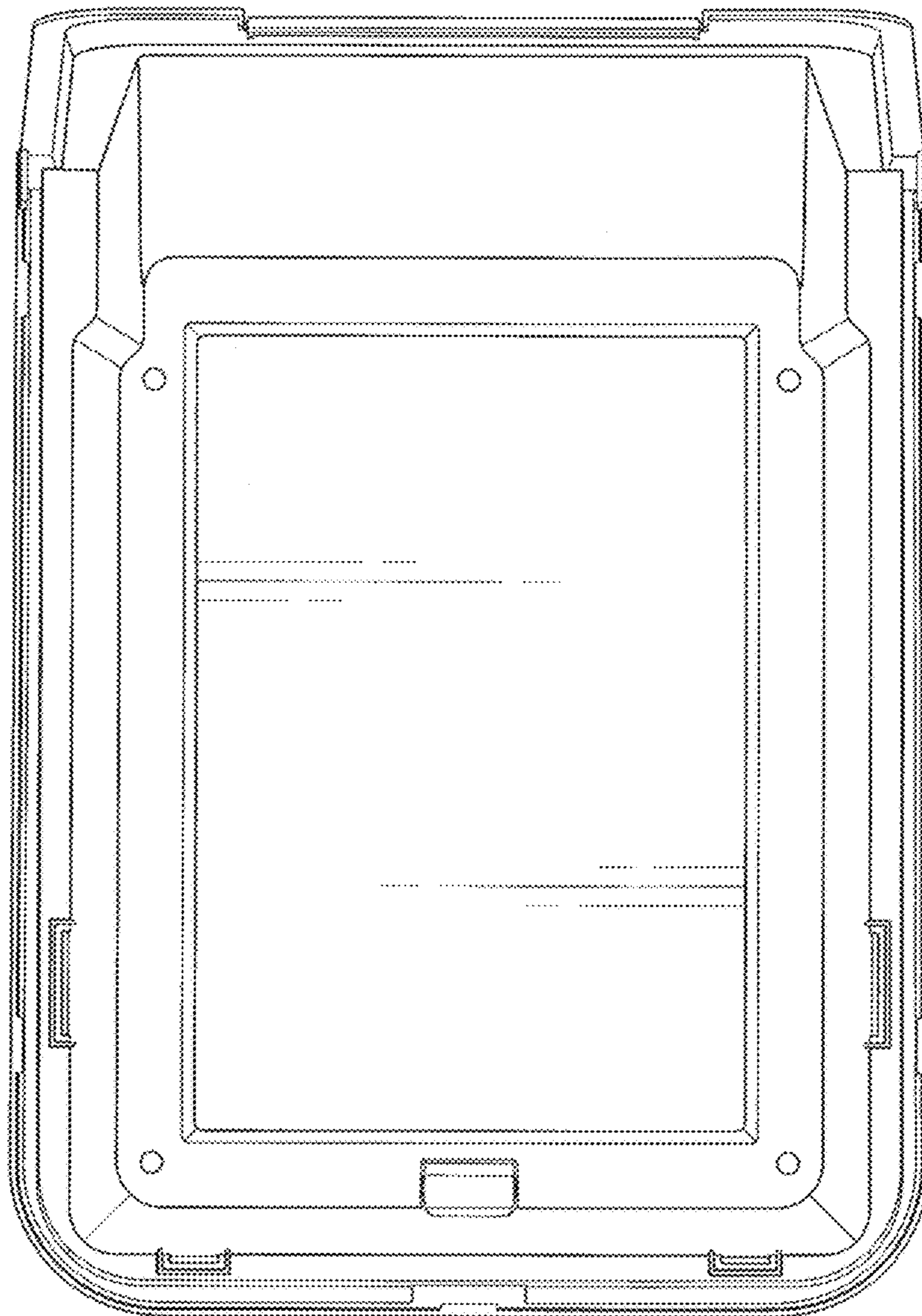


FIG. 14

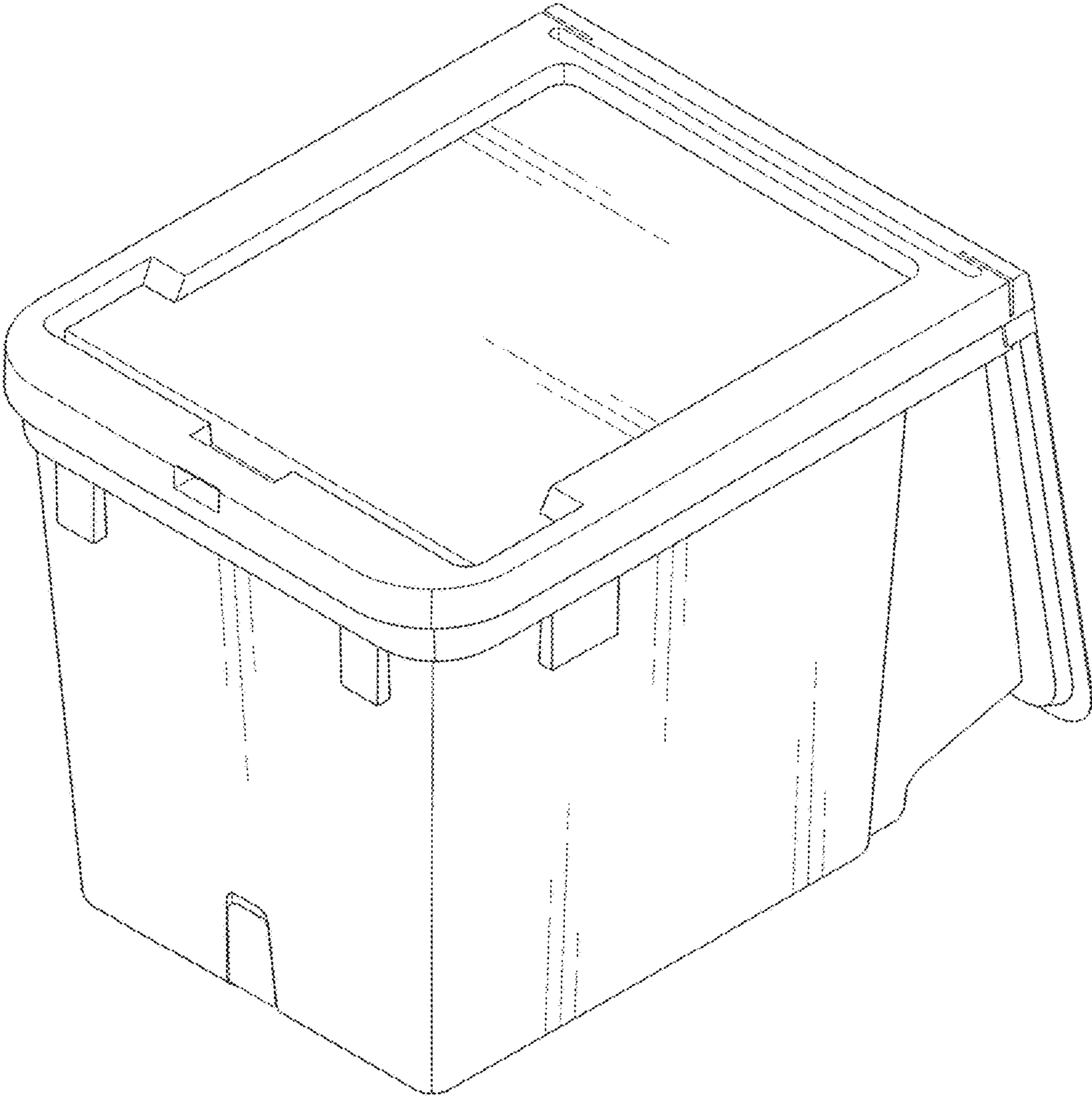


FIG. 15

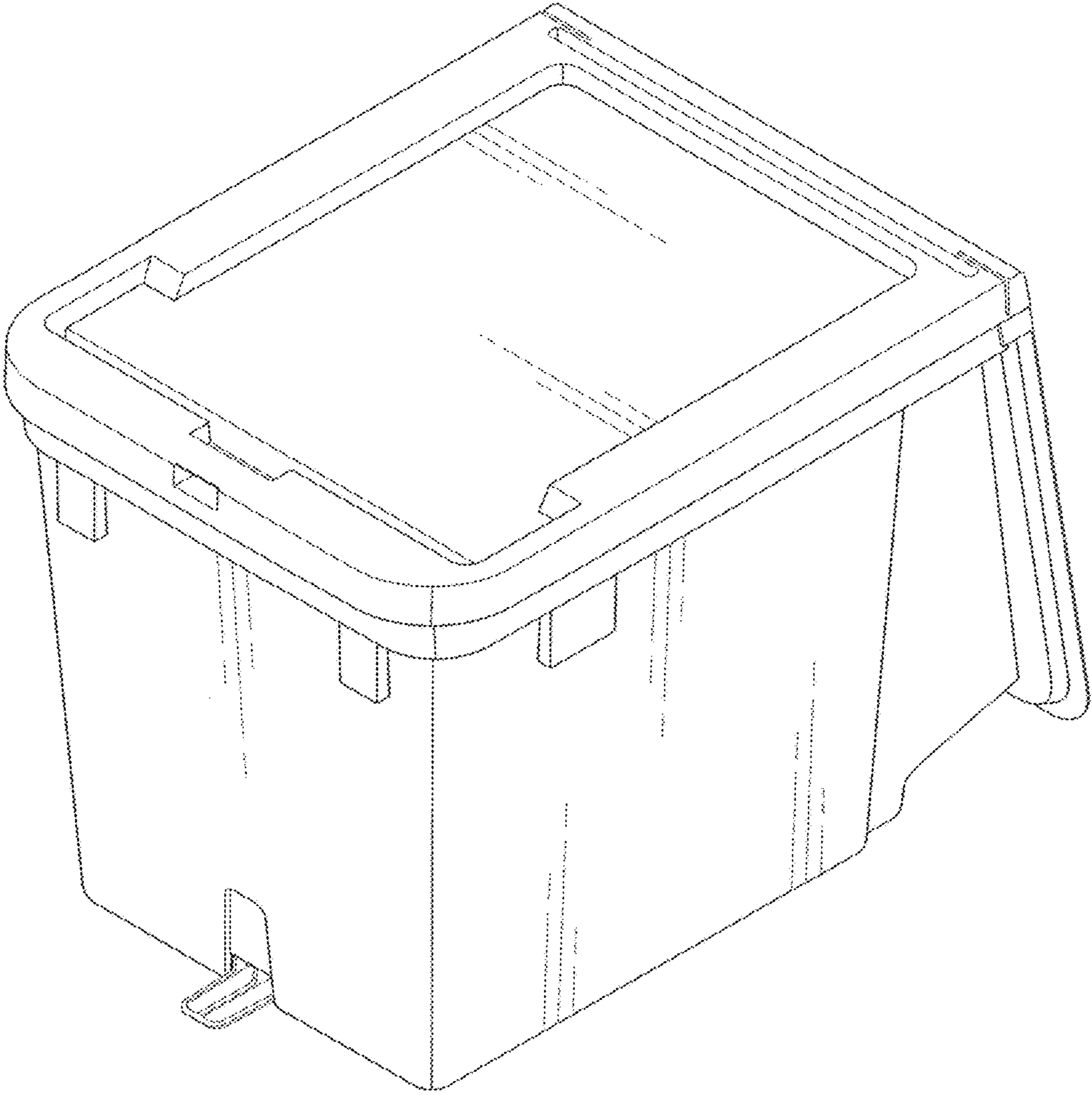


FIG. 16