



US00D841976S

(12) **United States Design Patent**
Tormans

(10) **Patent No.:** **US D841,976 S**
(45) **Date of Patent:** **** Mar. 5, 2019**

- (54) **CARRIER FOR CHILD**
- (71) Applicant: **Babylonia BVBA**, Antwerp (BE)
- (72) Inventor: **Nele Tormans**, Antwerp (BE)
- (73) Assignee: **BABYLONIA BVBA**, Antwerp (BE)
- (**) Term: **15 Years**
- (21) Appl. No.: **29/593,105**
- (22) Filed: **Feb. 6, 2017**
- (30) **Foreign Application Priority Data**

Oct. 3, 2016 (EM) 003403716-001

- (51) **LOC (11) Cl.** **03-01**
- (52) **U.S. Cl.**
USPC **D3/214**
- (58) **Field of Classification Search**
USPC D3/213, 214, 215, 216
CPC A47D 13/02; A47D 13/025
See application file for complete search history.

(56) **References Cited**

U.S. PATENT DOCUMENTS

- 5,678,739 A * 10/1997 Darling A47D 13/025
224/158
- D409,373 S * 5/1999 Fair D3/213
- D425,696 S * 5/2000 Swanke D3/213
- D507,102 S * 7/2005 Bergkvist D3/213
- D507,869 S * 8/2005 Liistro D3/213
- D611,699 S * 3/2010 Lundh D3/213
- D615,750 S * 5/2010 Jones D3/213
- D623,402 S * 9/2010 Bergkvist D3/213
- D642,375 S * 8/2011 Zack D3/214
- D649,345 S * 11/2011 Bergkvist D3/214
- D664,351 S * 7/2012 Bergkvist D3/214
- D692,227 S * 10/2013 Andren D3/213

- 8,579,168 B2 * 11/2013 Zack A47D 13/025
2/49.1
- 8,701,949 B1 * 4/2014 Lehan A45F 3/047
224/160
- D714,045 S * 9/2014 Stave D3/213
- 9,185,993 B2 * 11/2015 Telford A47D 13/025
- D745,263 S * 12/2015 Tagle D3/213
- D748,907 S * 2/2016 Figler D3/213
- D753,385 S * 4/2016 Stave D3/213
- D770,166 S * 11/2016 Figler D3/213
- D796,834 S * 9/2017 Pos D3/213
- D802,912 S * 11/2017 Brodin D3/213
- 9,848,713 B2 * 12/2017 Rosen A47D 13/025
- 2005/0051582 A1 * 3/2005 Frost A47D 13/025
224/160
- 2005/0184114 A1 * 8/2005 Hoff A47D 13/025
224/160
- 2008/0283560 A1 * 11/2008 Parness A47D 13/025
224/160

(Continued)

Primary Examiner — John Windmuller
Assistant Examiner — Steven J Czyz
(74) *Attorney, Agent, or Firm* — Cantor Colburn LLP

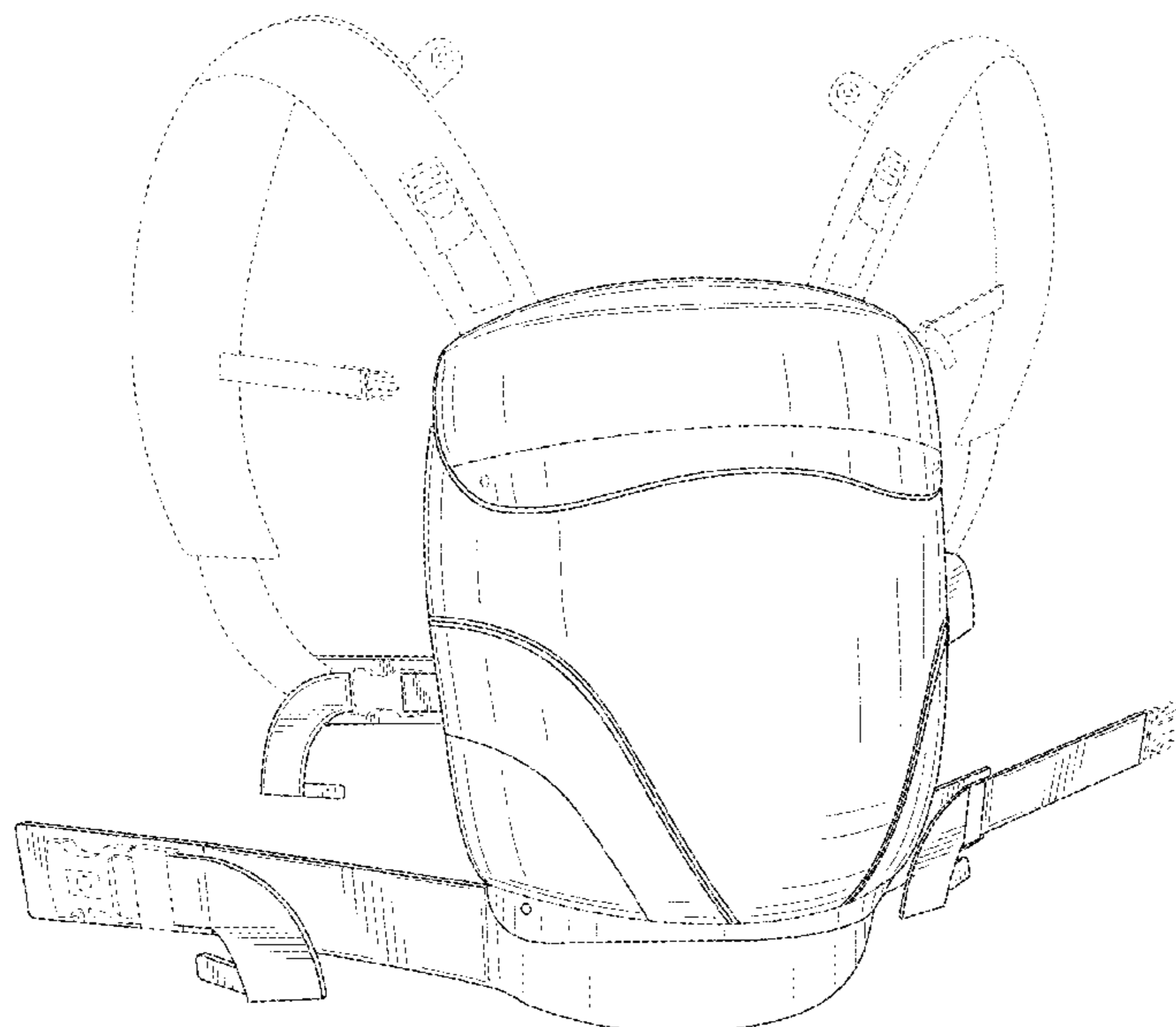
(57) **CLAIM**

I claim, the ornamental design for a carrier for child, as shown and described.

DESCRIPTION

FIG. 1 is a perspective view of a carrier for child, showing my new design;
FIG. 2 is a front elevation view thereof;
FIG. 3 is a rear elevation view thereof;
FIG. 4 is a left side elevation view thereof;
FIG. 5 is a right side elevation view thereof;
FIG. 6 is a top plan view thereof; and,
FIG. 7 is a bottom plan view thereof.
The broken lines shown in the drawings represent portions of the carrier that form no part of the claimed design.

1 Claim, 7 Drawing Sheets



(56)

References Cited

U.S. PATENT DOCUMENTS

2010/0200626	A1 *	8/2010	Moftakhar	A47D 13/025 224/160
2011/0089205	A1 *	4/2011	Coote	A47D 13/025 224/160
2012/0061429	A1 *	3/2012	Sauer	A47D 13/025 224/160
2012/0187162	A1 *	7/2012	Bergkvist	A47D 13/025 224/160
2014/0231472	A1 *	8/2014	Cha	A47D 13/025 224/160
2015/0196133	A1 *	7/2015	Rosen	A47D 13/025 224/160
2015/0282639	A1 *	10/2015	Chuah	A47D 13/025 224/160
2016/0150893	A1 *	6/2016	Salazar	A47D 13/025 224/160
2016/0227940	A1 *	8/2016	Wikner	A47D 13/025
2017/0196374	A1 *	7/2017	Chen	A47D 13/025
2017/0238722	A1 *	8/2017	Flaunty	A47D 13/025
2017/0332806	A1 *	11/2017	Liu	A47D 13/025

* cited by examiner

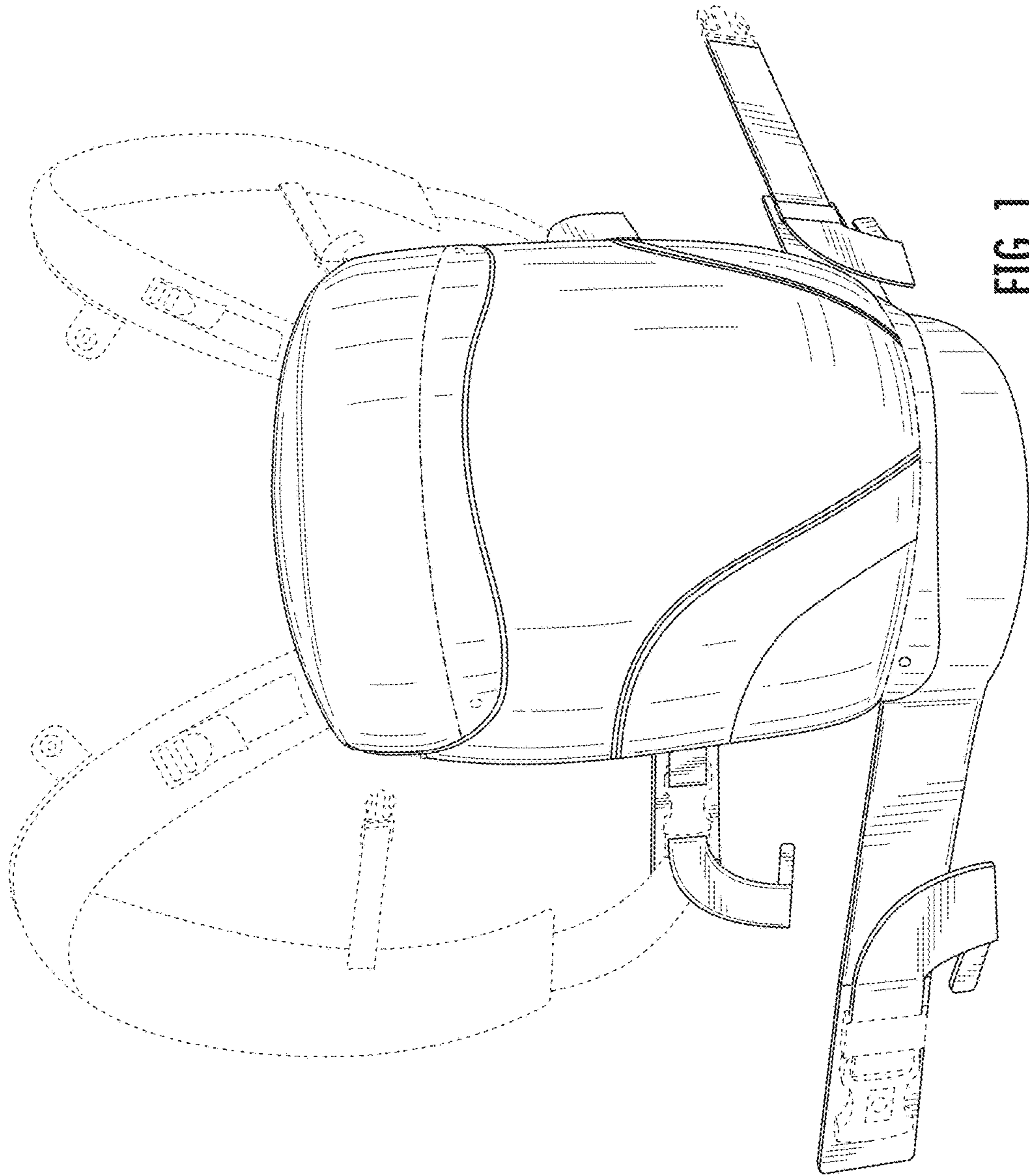


FIG. 1

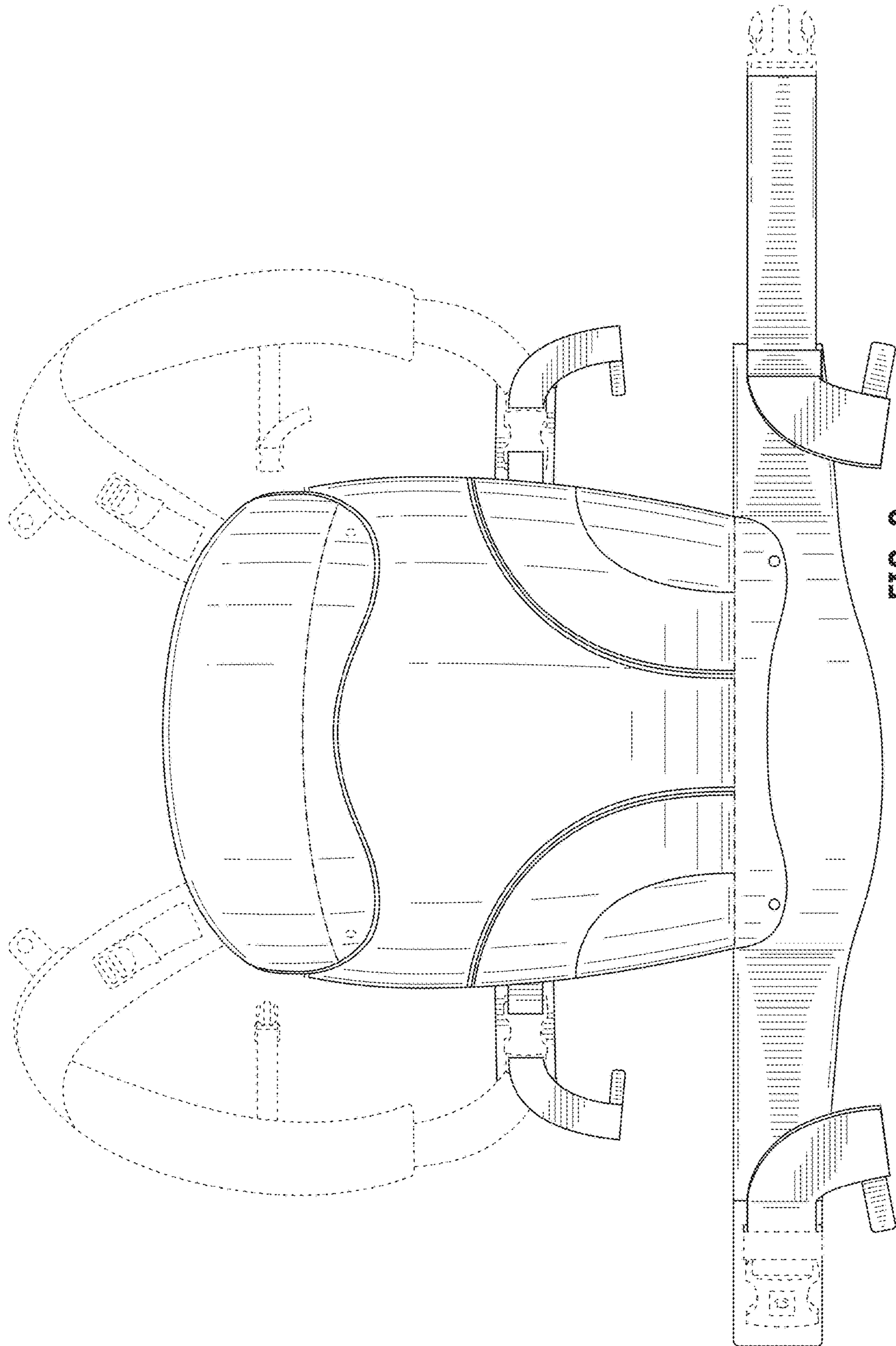


FIG. 2

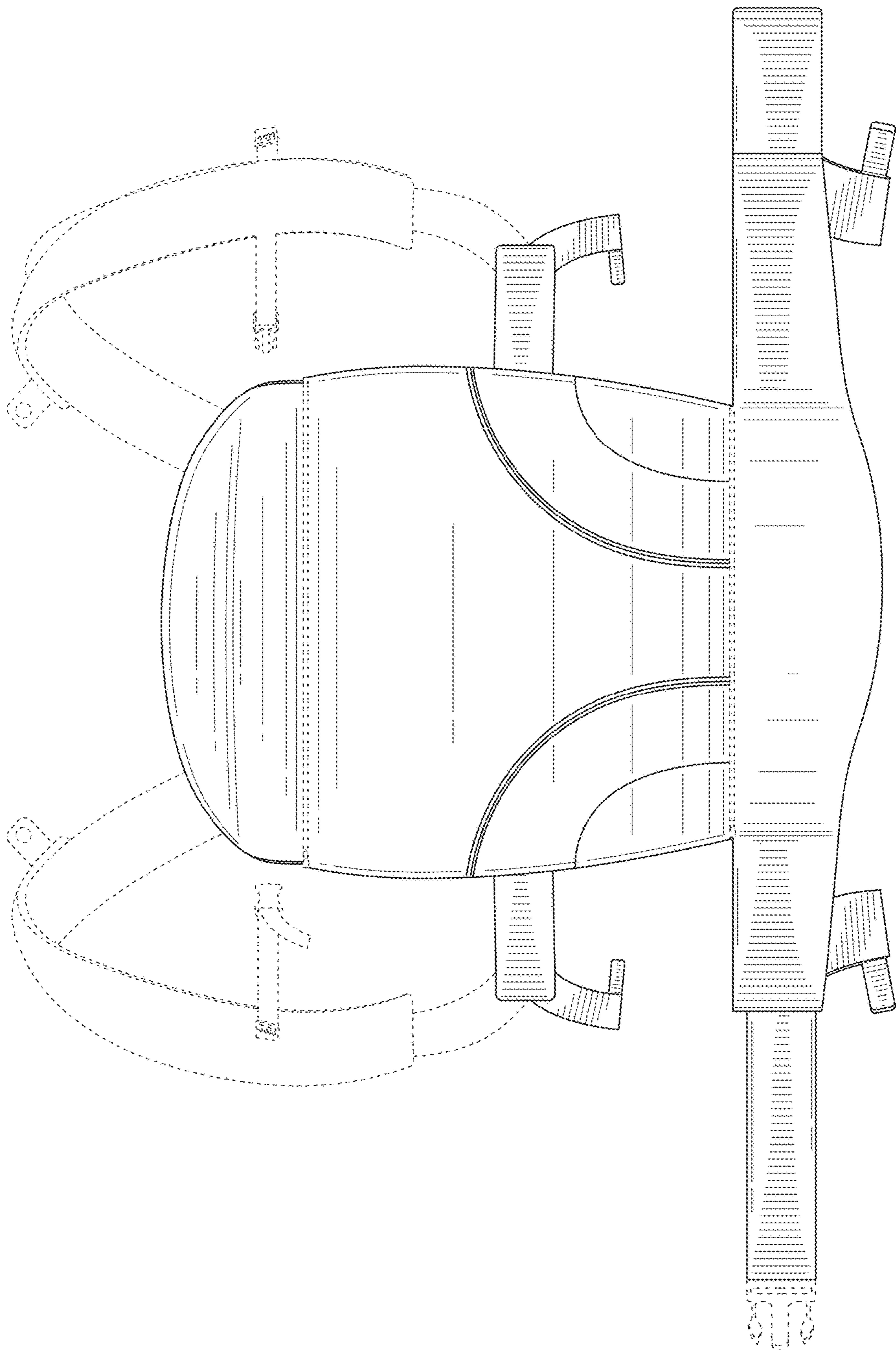


FIG. 3

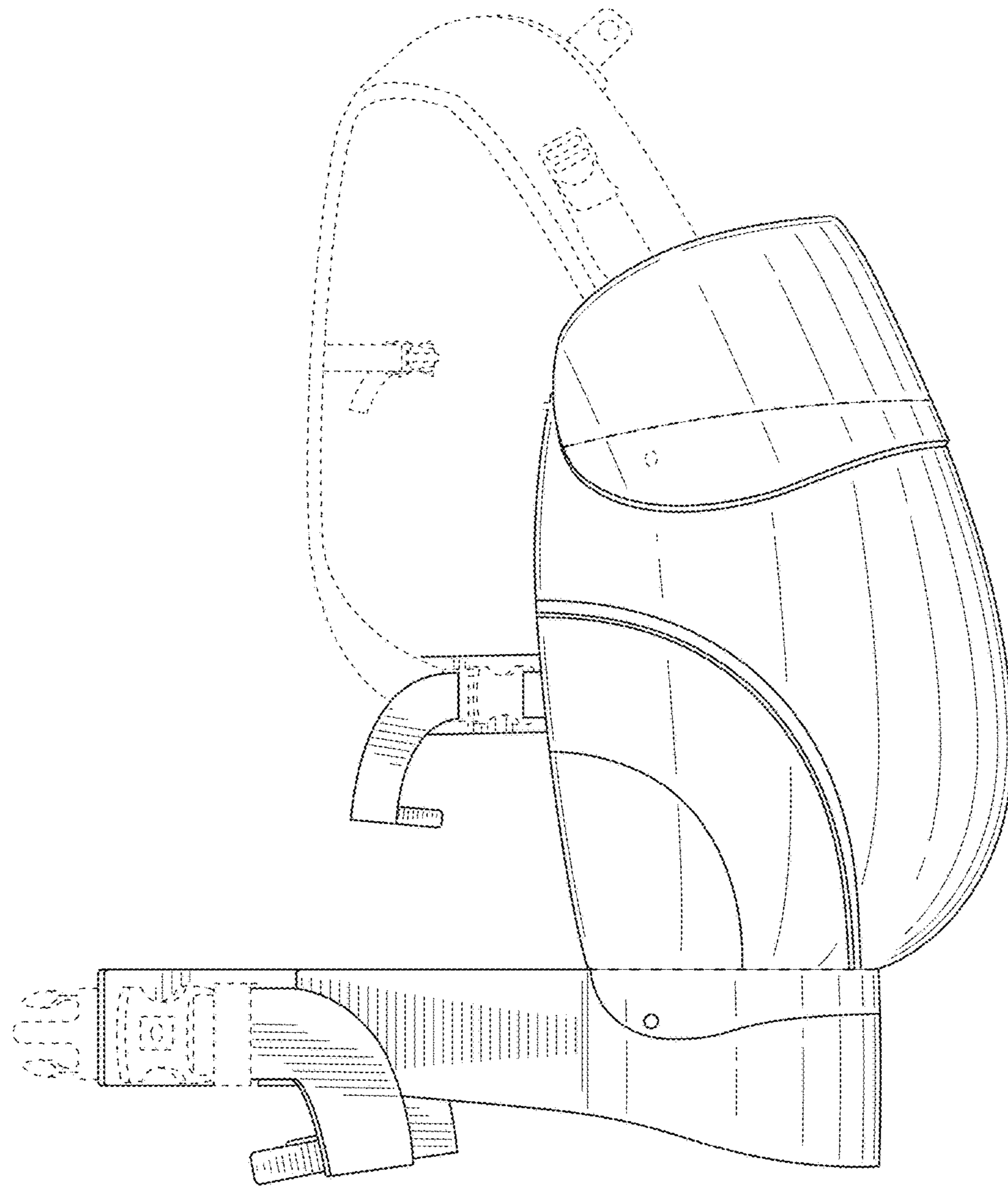


FIG. 4

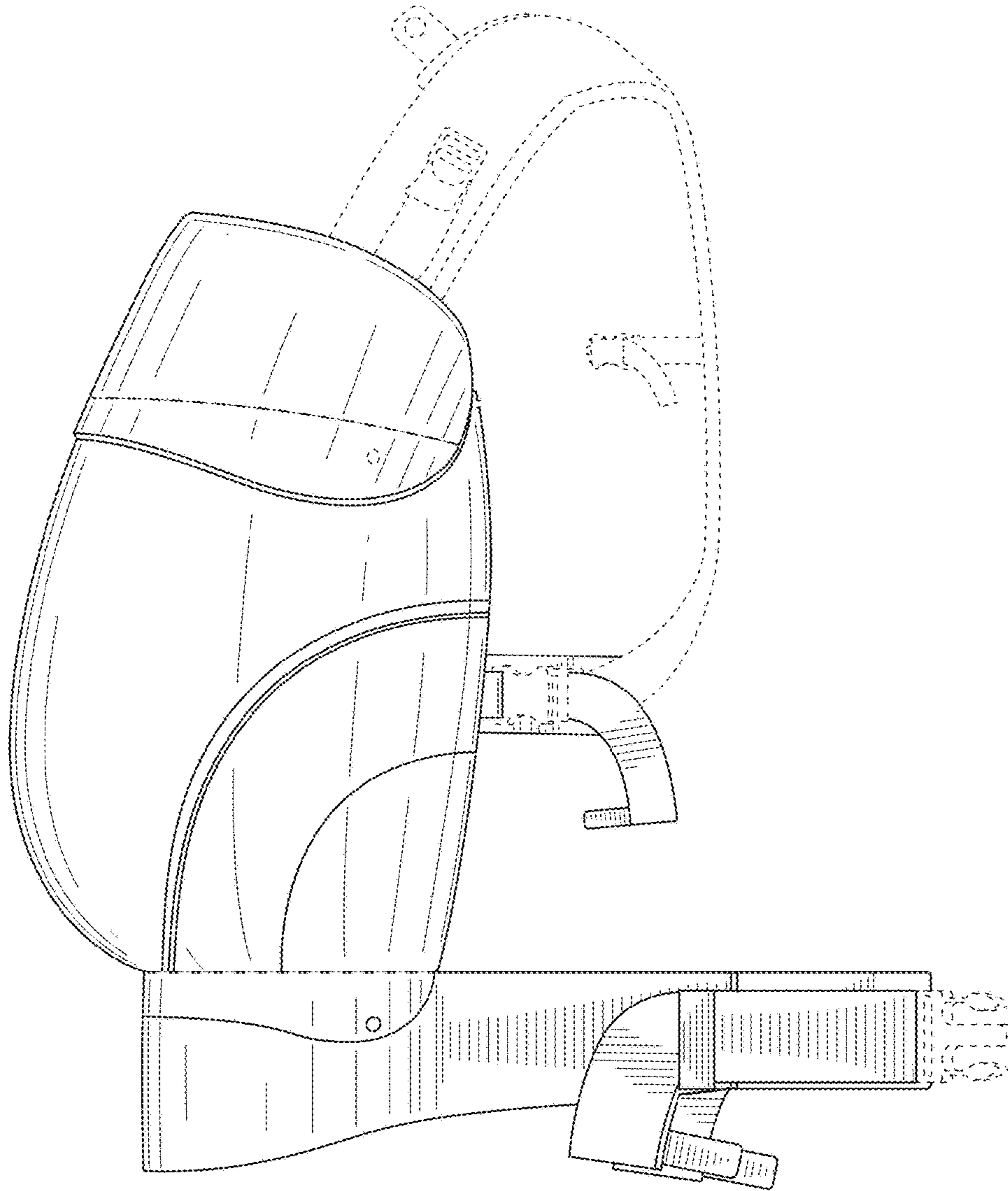


FIG. 5

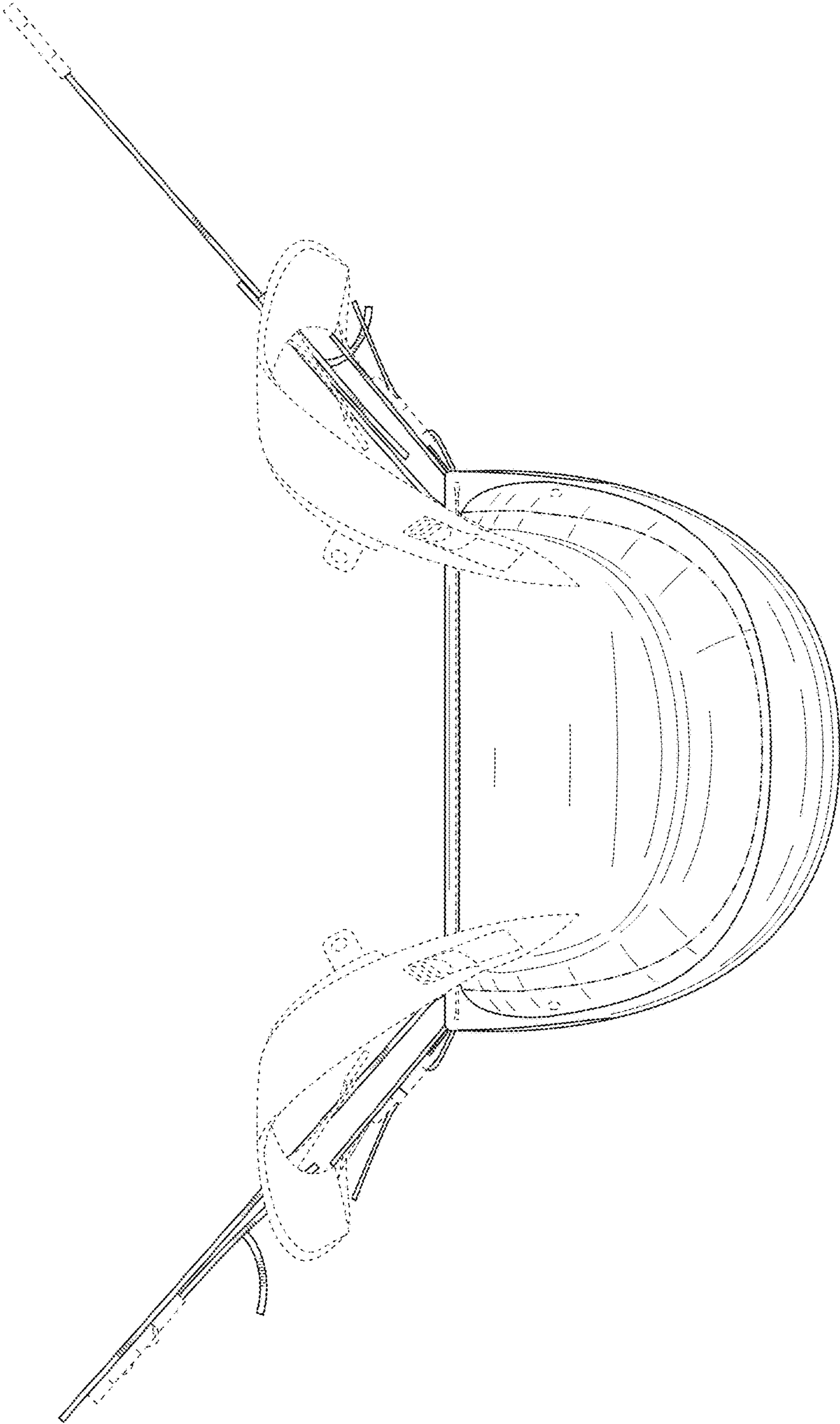


FIG. 6

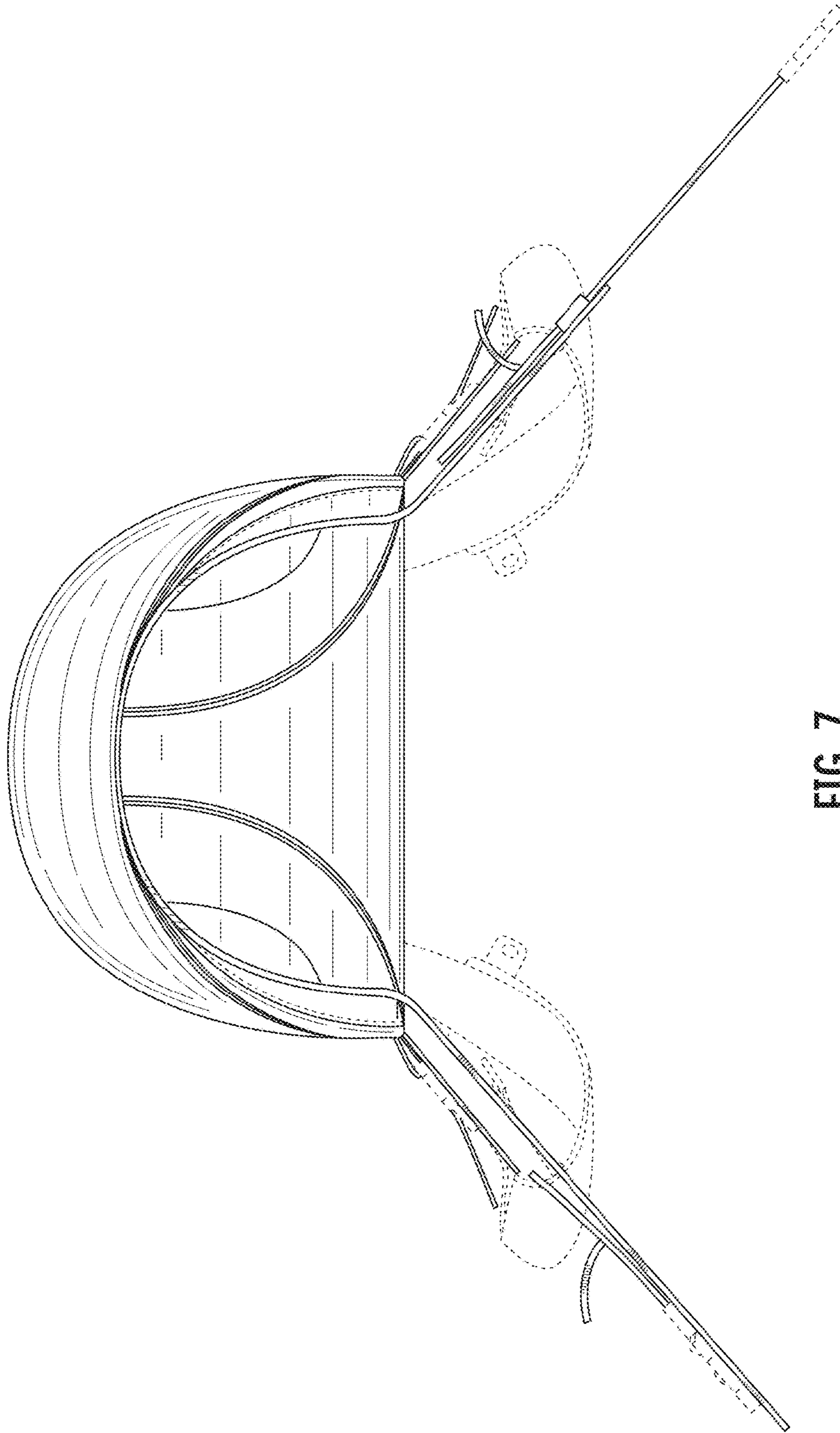


FIG. 7