



US00D841975S

(12) **United States Design Patent**
Peng

(10) **Patent No.:** **US D841,975 S**

(45) **Date of Patent:** **** Mar. 5, 2019**

(54) **LIP GLOSS BAG**

(71) Applicant: **Shenzhen YiZhiMei Bag Co. Ltd.**,
Shenzhen (CN)

(72) Inventor: **Dan Peng**, Qianjiang (CN)

(73) Assignee: **SHENZHEN YIZHIMEI BAG CO.**
LTD., Shenzhen (CN)

(**) Term: **15 Years**

(21) Appl. No.: **29/616,923**

(22) Filed: **Sep. 10, 2017**

(51) **LOC (11) Cl.** **03-02**

(52) **U.S. Cl.**
USPC **D3/205**

(58) **Field of Classification Search**
USPC D3/205, 206, 315-317
CPC A45C 11/00
See application file for complete search history.

(56) **References Cited**

U.S. PATENT DOCUMENTS

2,000,302	A *	5/1935	Solomon	A45C 11/008
					132/312
2,143,062	A *	1/1939	Ericson	A45C 11/008
					190/109
2,556,066	A *	6/1951	Cline	A45C 11/008
					190/111
2,778,397	A *	1/1957	Carrasco	B42D 5/005
					190/119
D396,750	S *	8/1998	Slater	D3/284
6,183,133	B1 *	2/2001	Roegner	A45C 3/00
					150/113
D449,158	S *	10/2001	Banks	D3/205
D455,005	S *	4/2002	Wolf	D3/205
D461,046	S *	8/2002	Cohen	D3/205

D632,079	S *	2/2011	Spencer	D3/301
D723,804	S *	3/2015	Coleman	D3/301
D790,211	S *	6/2017	Constantini	D3/205
D811,723	S *	3/2018	Chen	D3/206

* cited by examiner

Primary Examiner — Charles D Hanson

(74) *Attorney, Agent, or Firm* — Yong Chen

(57) **CLAIM**

The ornamental design for a lip gloss bag, as shown and described.

DESCRIPTION

FIG. 1 is a front view of a lip gloss bag of the present invention when the bag is in a closed configuration.

FIG. 2 is a back view of the lip gloss bag shown in FIG. 1.

FIG. 3 is a left view of the lip gloss bag shown in FIG. 1.

FIG. 4 is a right view of the lip gloss bag shown in FIG. 1.

FIG. 5 is a top view of the lip gloss bag shown in FIG. 1.

FIG. 6 is a bottom view of the lip gloss bag shown in FIG. 1.

FIG. 7 is a perspective view of the lip gloss bag shown in FIG. 1.

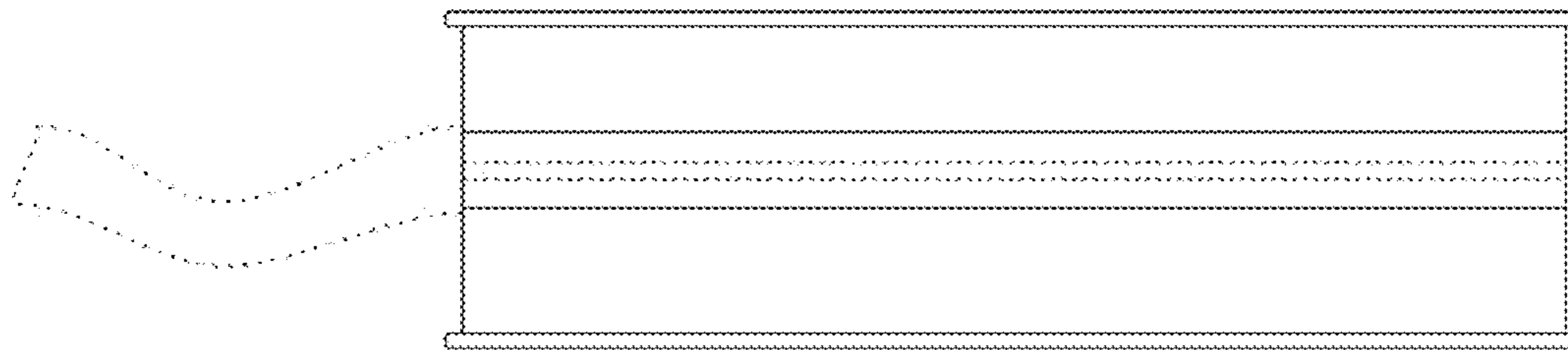
FIG. 8 is another perspective view of the lip gloss bag shown in FIG. 1.

FIG. 9 is a perspective view of the lip gloss bag shown in FIG. 1 showing interior components of the lip gloss bag the lip gloss bag is in an open configuration and when an internal flap of the bag is in a first position; and,

FIG. 10 is another perspective view of the lip gloss bag shown in FIG. 1 showing interior components of the lip gloss bag the lip gloss bag is in an open configuration and when an internal flap of the bag is in a second position.

The broken line showing of certain portions of the lip gloss bag is included for the purpose of illustration only and forms no part of the claimed design.

1 Claim, 5 Drawing Sheets



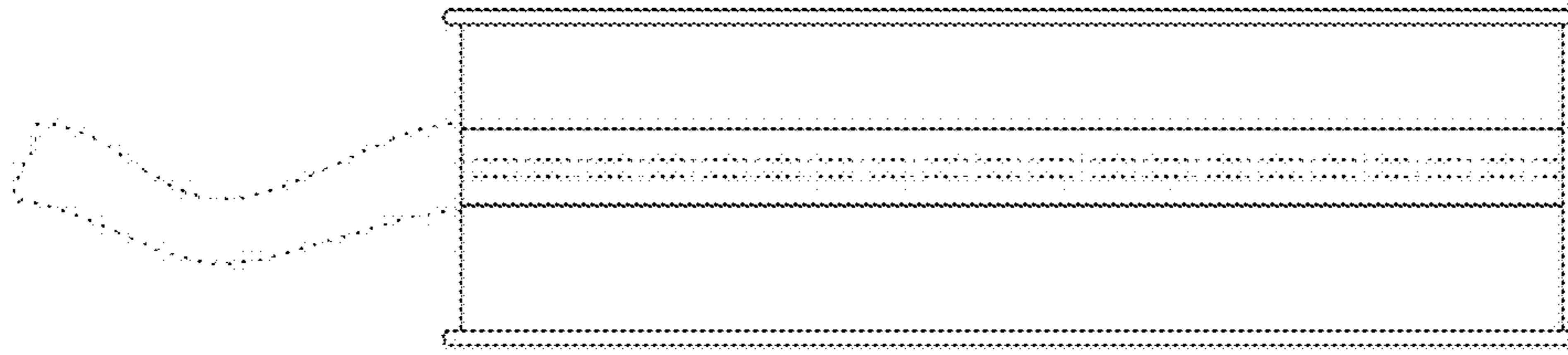


FIG. 1



FIG. 2

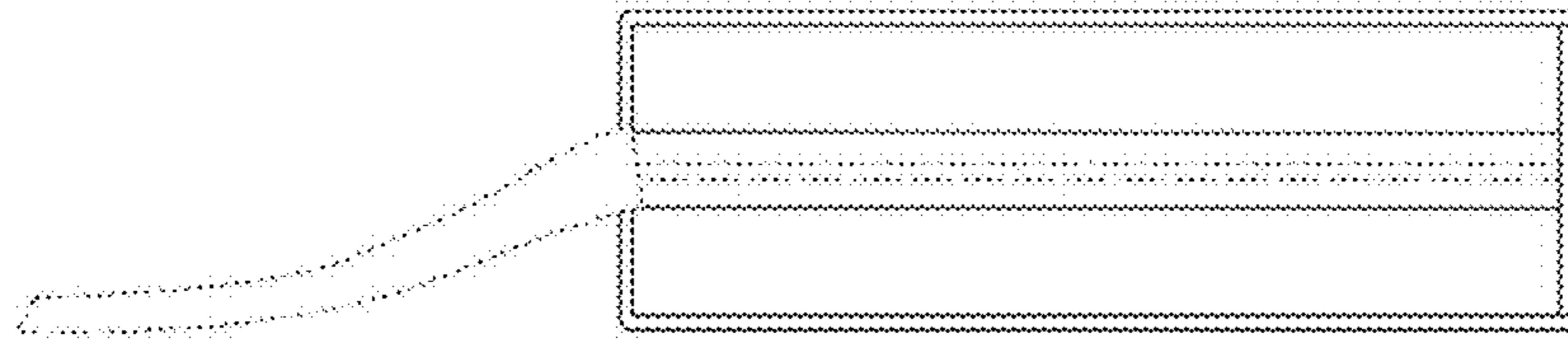


FIG. 3

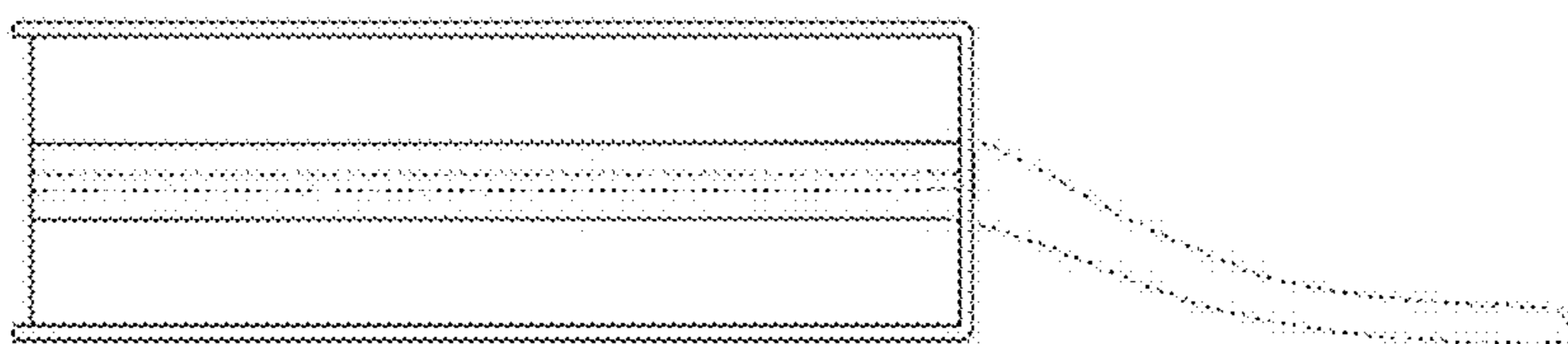


FIG. 4

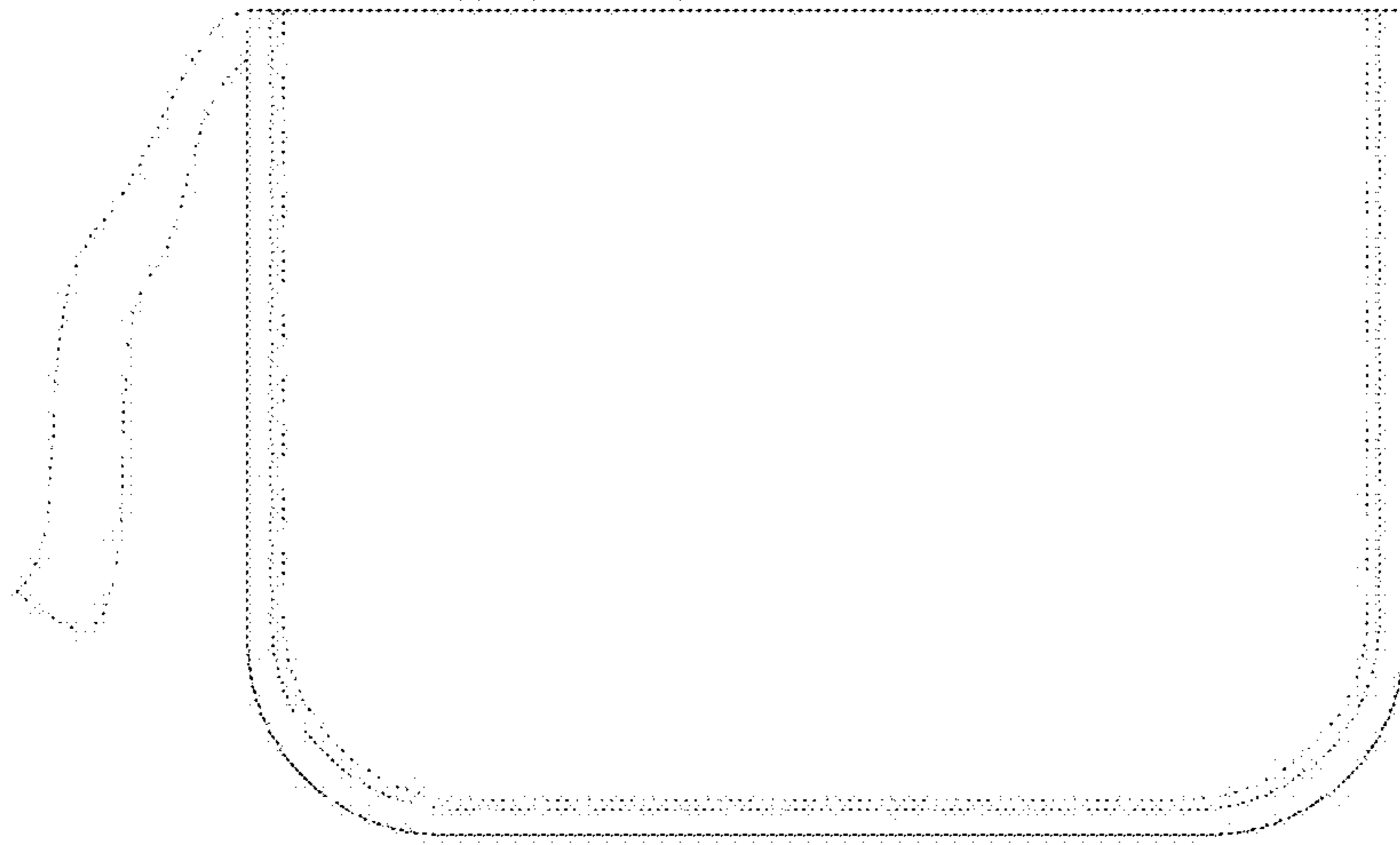


FIG. 5

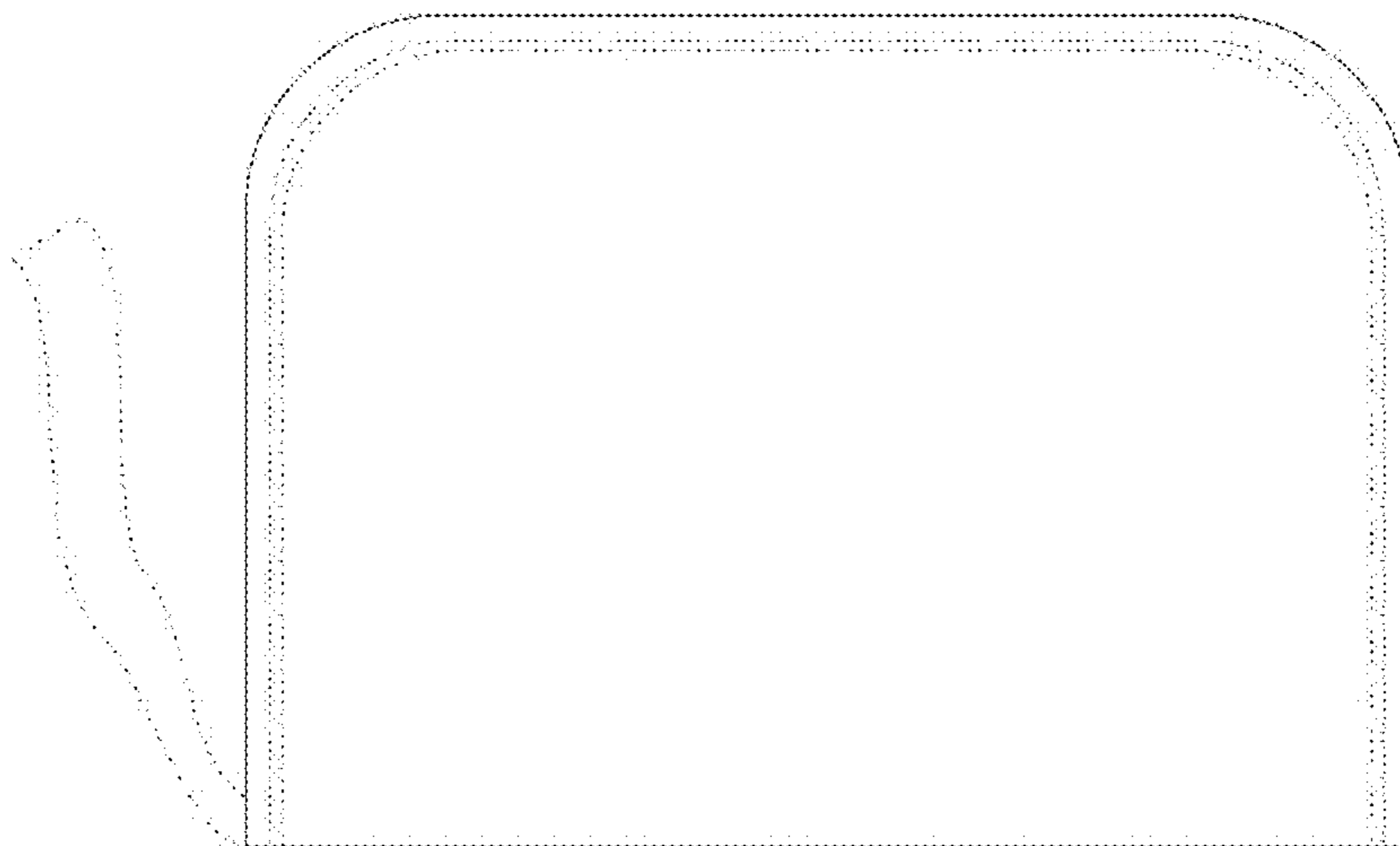


FIG. 6

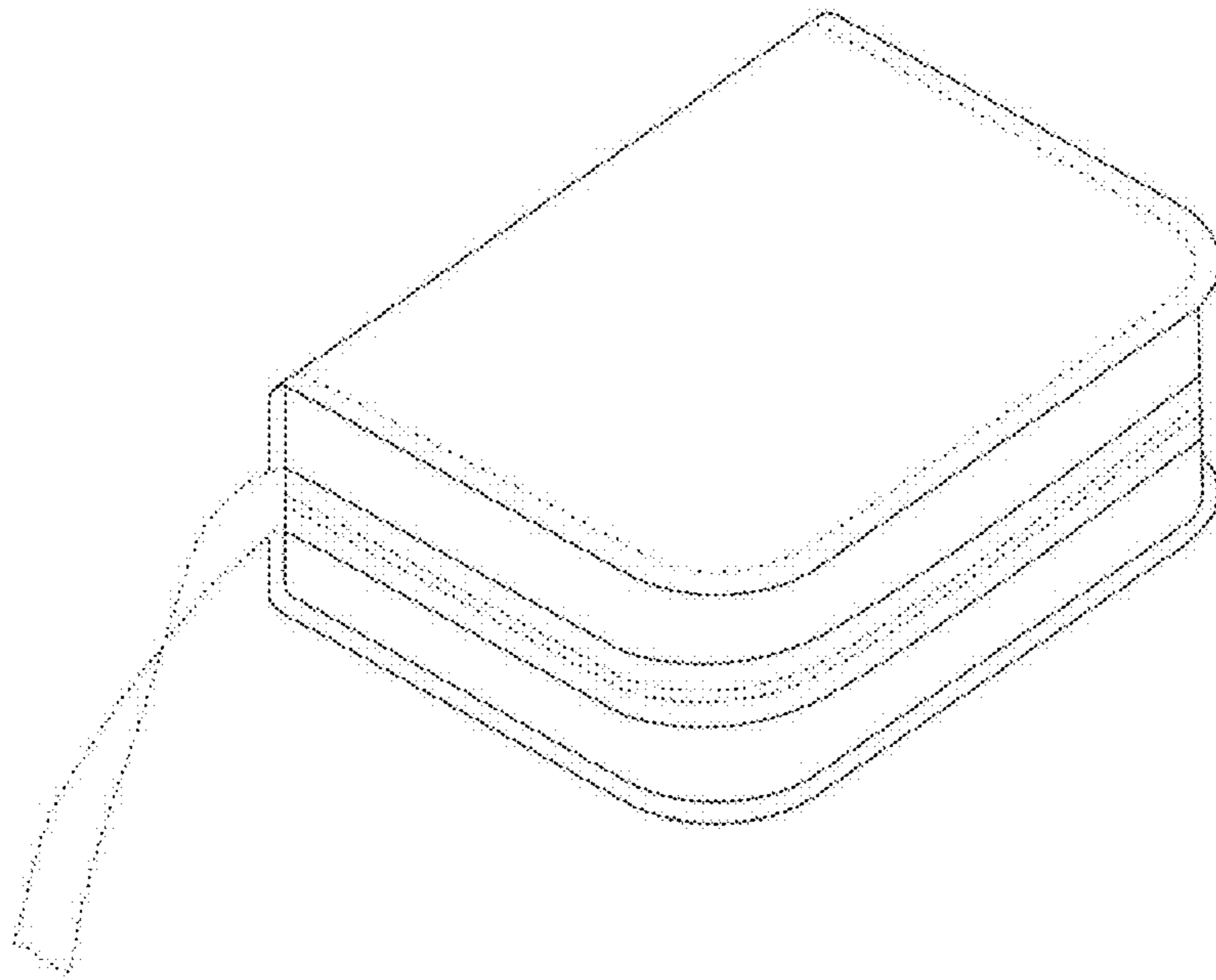


FIG. 7

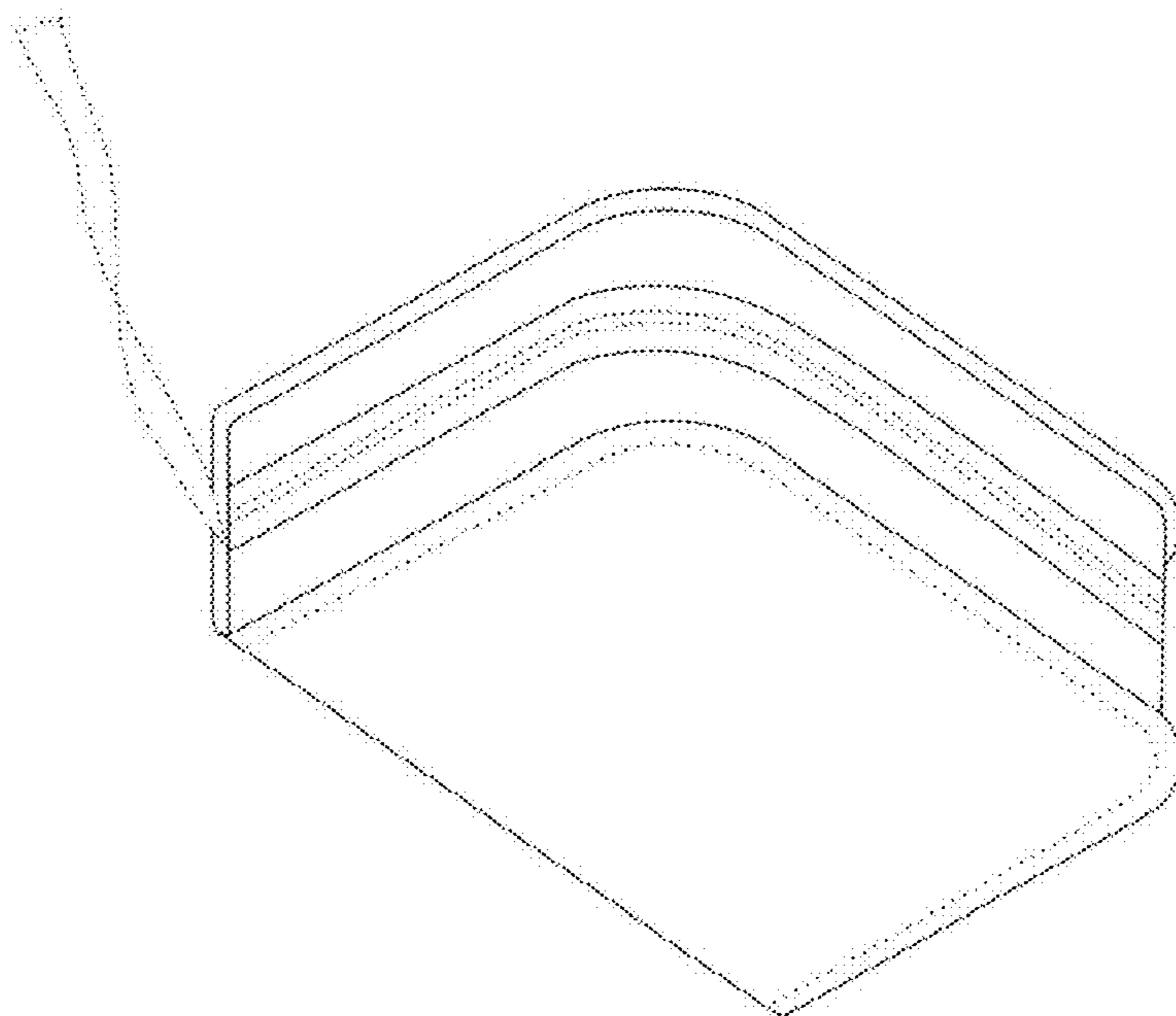


FIG. 8

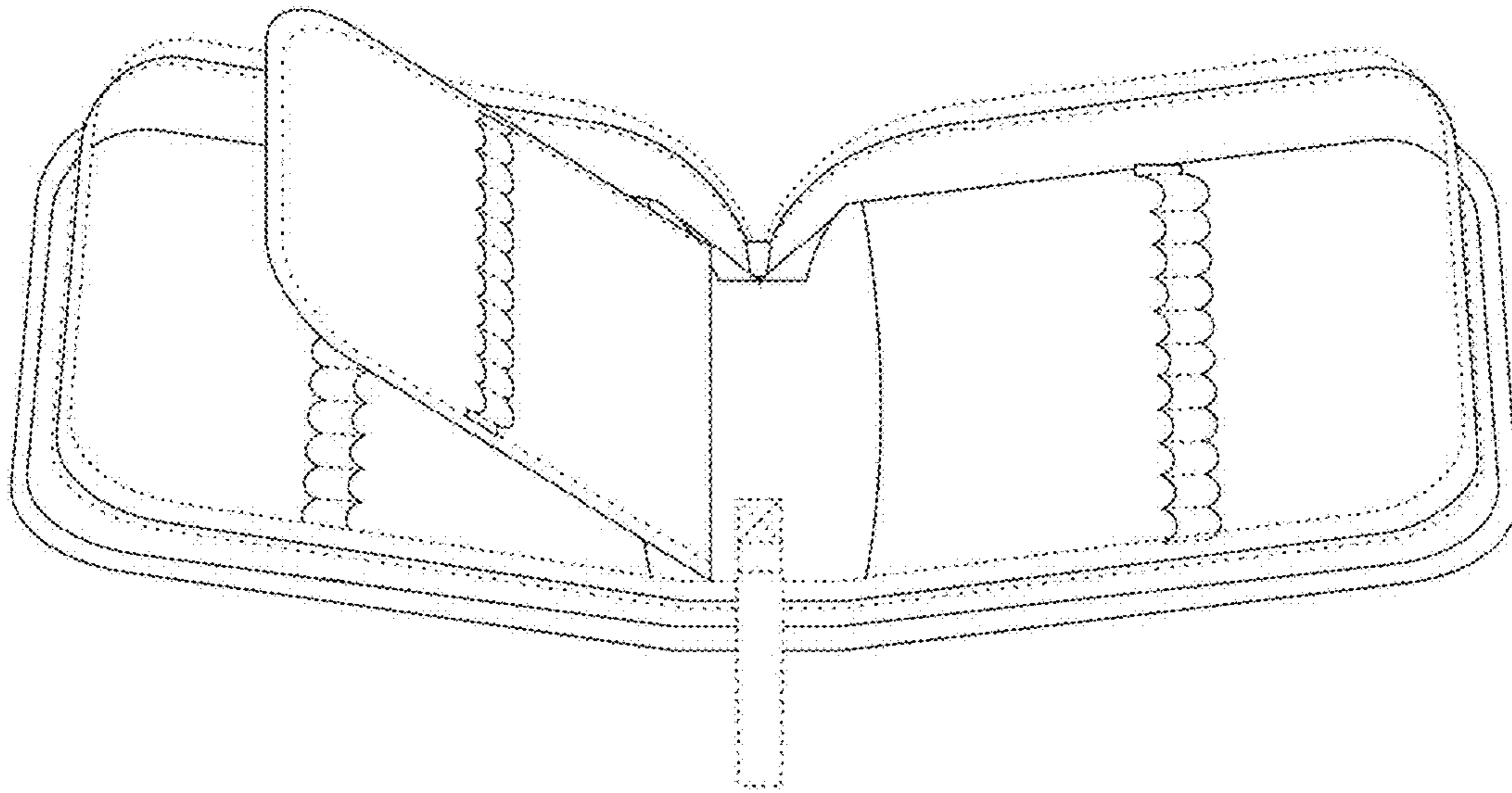


FIG. 9

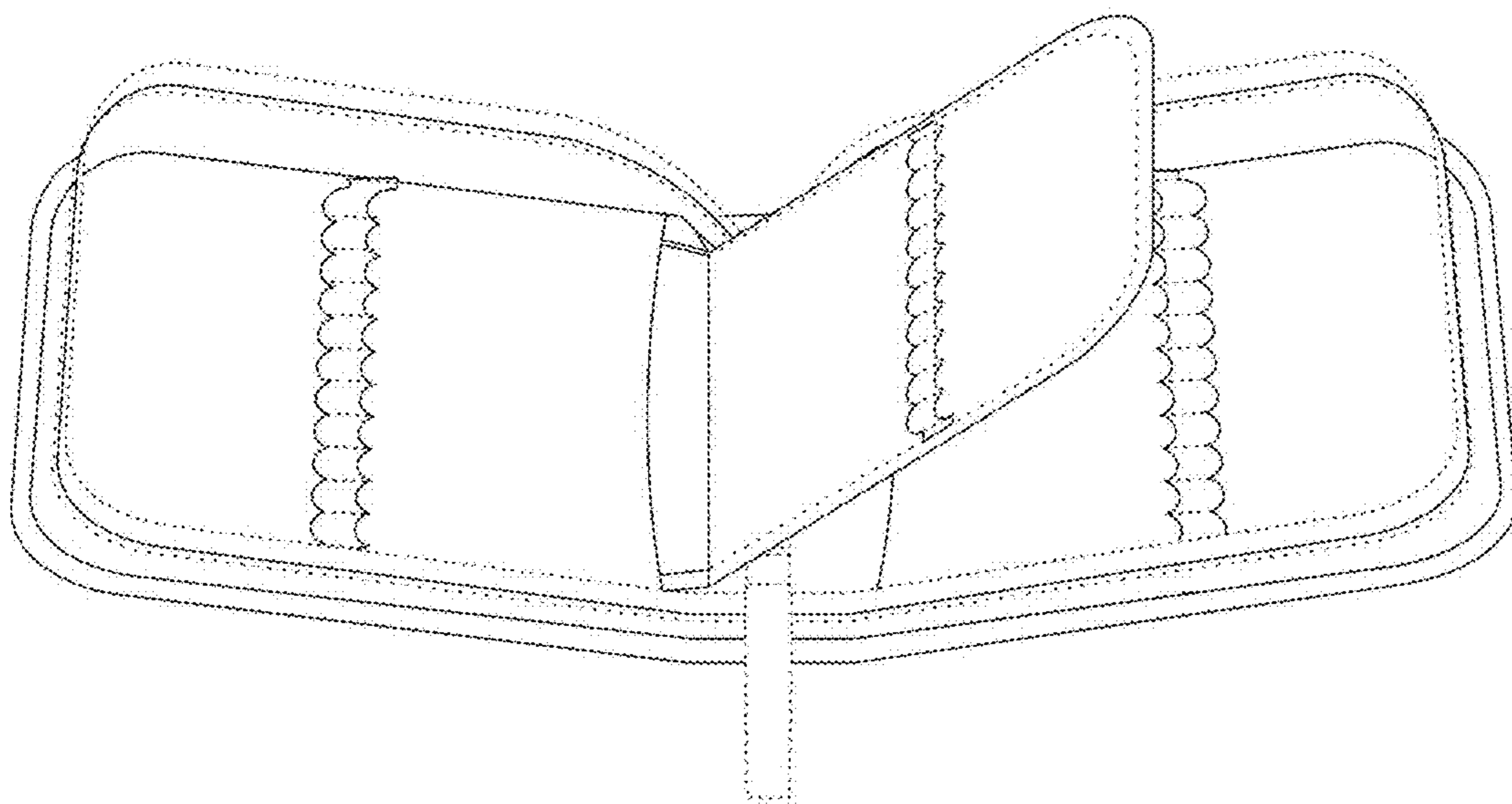


FIG. 10