



US00D841974S

(12) **United States Design Patent**  
**Peng**

(10) **Patent No.:** **US D841,974 S**  
(45) **Date of Patent:** **\*\* Mar. 5, 2019**

- (54) **TOILETRY BAG**
- (71) Applicant: **Shenzhen YiZhiMei Bag Co. Ltd.**,  
Shenzhen (CN)
- (72) Inventor: **Dan Peng**, Qianjiang (CN)
- (73) Assignee: **SHENZHEN YIZHIMEI BAG CO. LTD.**, Shenzhen (CN)
- (\*\*) Term: **15 Years**
- (21) Appl. No.: **29/616,919**
- (22) Filed: **Sep. 10, 2017**
- (51) **LOC (11) Cl.** ..... **03-02**
- (52) **U.S. Cl.**  
USPC ..... **D3/205**
- (58) **Field of Classification Search**  
USPC ..... D3/205, 206, 315–317  
CPC ..... A45C 11/00  
See application file for complete search history.

- D723,804 S \* 3/2015 Coleman ..... D3/301
- D790,211 S \* 6/2017 Constantini ..... D3/205
- D811,723 S \* 3/2018 Chen ..... D3/206

\* cited by examiner

*Primary Examiner* — Charles D Hanson  
(74) *Attorney, Agent, or Firm* — Yong Chen

(57) **CLAIM**

The ornamental design for a toiletry bag, as shown and described.

**DESCRIPTION**

FIG. 1 is a front view of a toiletry bag of the present invention when the bag is in a closed configuration. FIG. 2 is a back view of the toiletry bag shown in FIG. 1. FIG. 3 is a left view of the toiletry bag shown in FIG. 1. FIG. 4 is a right view of the toiletry bag shown in FIG. 1. FIG. 5 is a top view of the toiletry bag shown in FIG. 1. FIG. 6 is a bottom view of the toiletry bag shown in FIG. 1. FIG. 7 is a perspective view of the toiletry bag shown in FIG. 1.

FIG. 8 is another perspective view of the toiletry bag shown in FIG. 1.

FIG. 9 is a perspective view of the toiletry bag shown in FIG. 1 when the toiletry bag is in an open configuration.

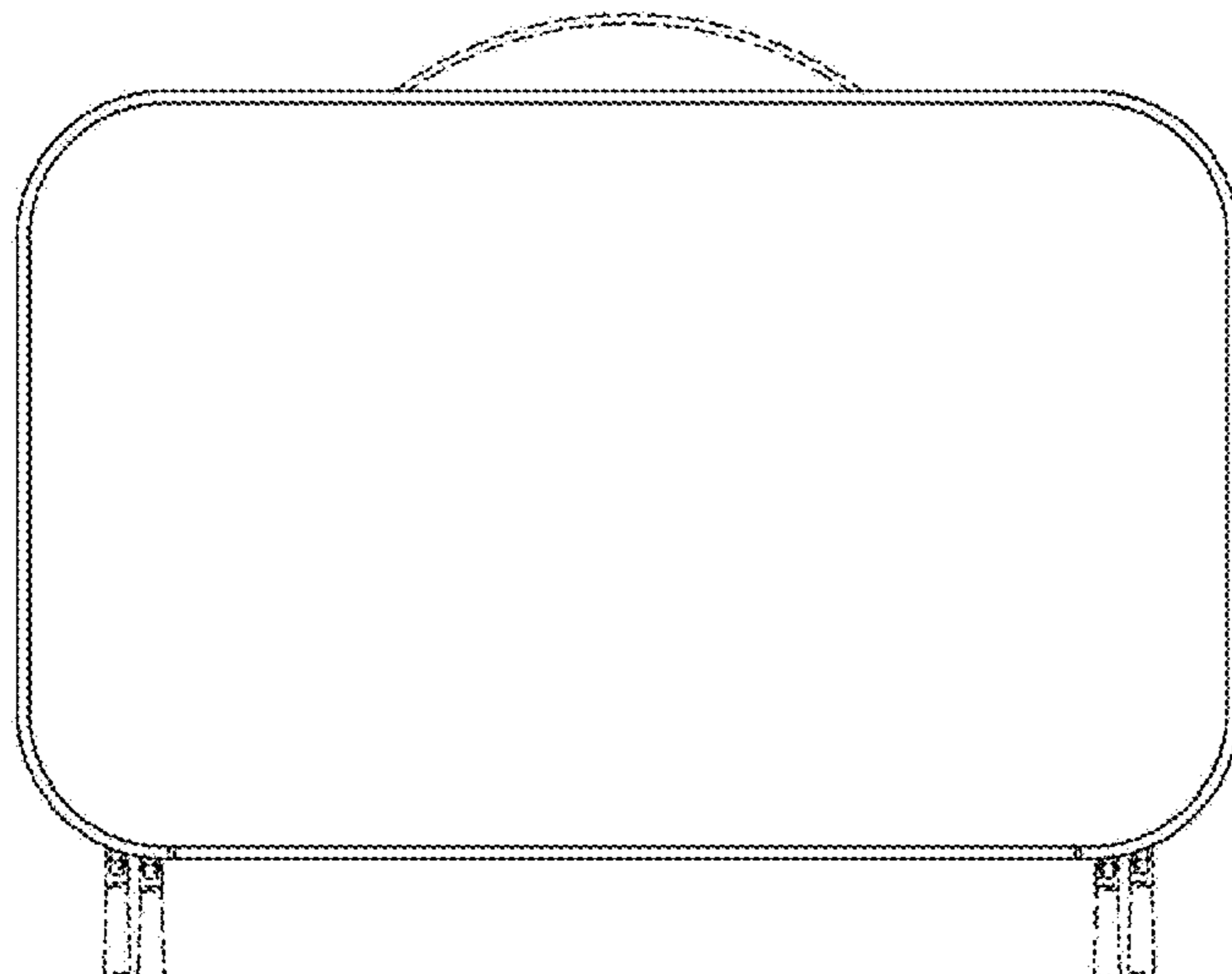
FIG. 10 is another perspective view of the toiletry bag shown in FIG. 1 when the bag is in an open configuration and when an internal flap of the bag is in an open condition; and,

FIG. 11 is another perspective view of the toiletry bag shown in FIG. 1 when the bag is in an open configuration and when the internal flap of the bag shown in FIG. 10 is in a closed condition.

The broken line showing of certain portions of the toiletry bag is included for the purpose of illustration only and forms no part of the claimed design.

**1 Claim, 10 Drawing Sheets**

- (56) **References Cited**
- U.S. PATENT DOCUMENTS
- 2,000,302 A \* 5/1935 Solomon ..... A45C 11/008  
132/312
- 2,143,062 A \* 1/1939 Ericson ..... A45C 11/008  
190/109
- 2,556,066 A \* 6/1951 Cline ..... A45C 11/008  
190/111
- 2,778,397 A \* 1/1957 Carrasco ..... B42D 5/005  
190/119
- D396,750 S \* 8/1998 Slater ..... D3/284
- 6,183,133 B1 \* 2/2001 Roegner ..... A45C 3/00  
150/113
- D449,158 S \* 10/2001 Banks ..... D3/205
- D455,005 S \* 4/2002 Wolf ..... D3/205
- D461,046 S \* 8/2002 Cohen ..... D3/205
- D632,079 S \* 2/2011 Spencer ..... D3/301



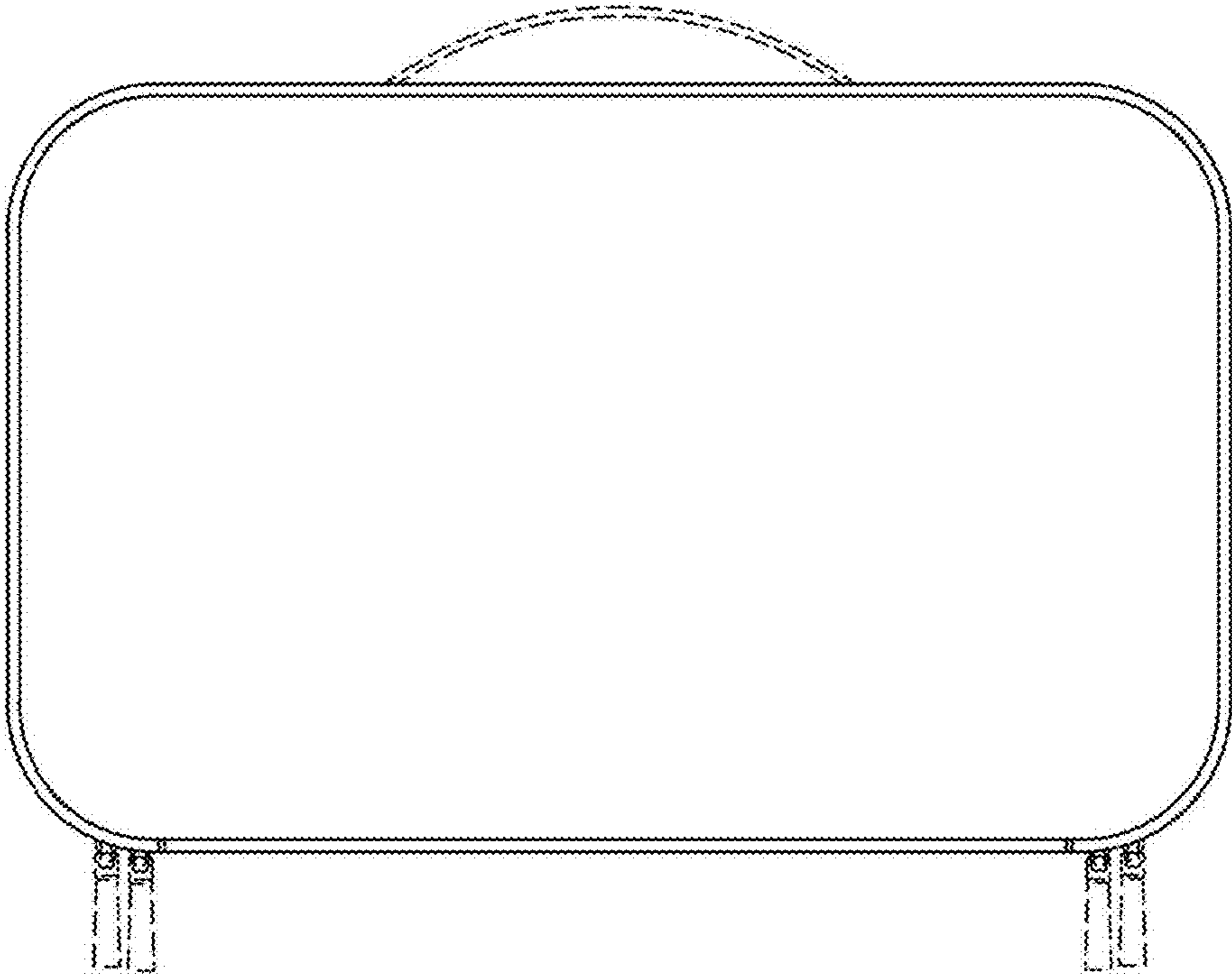


FIG. 1

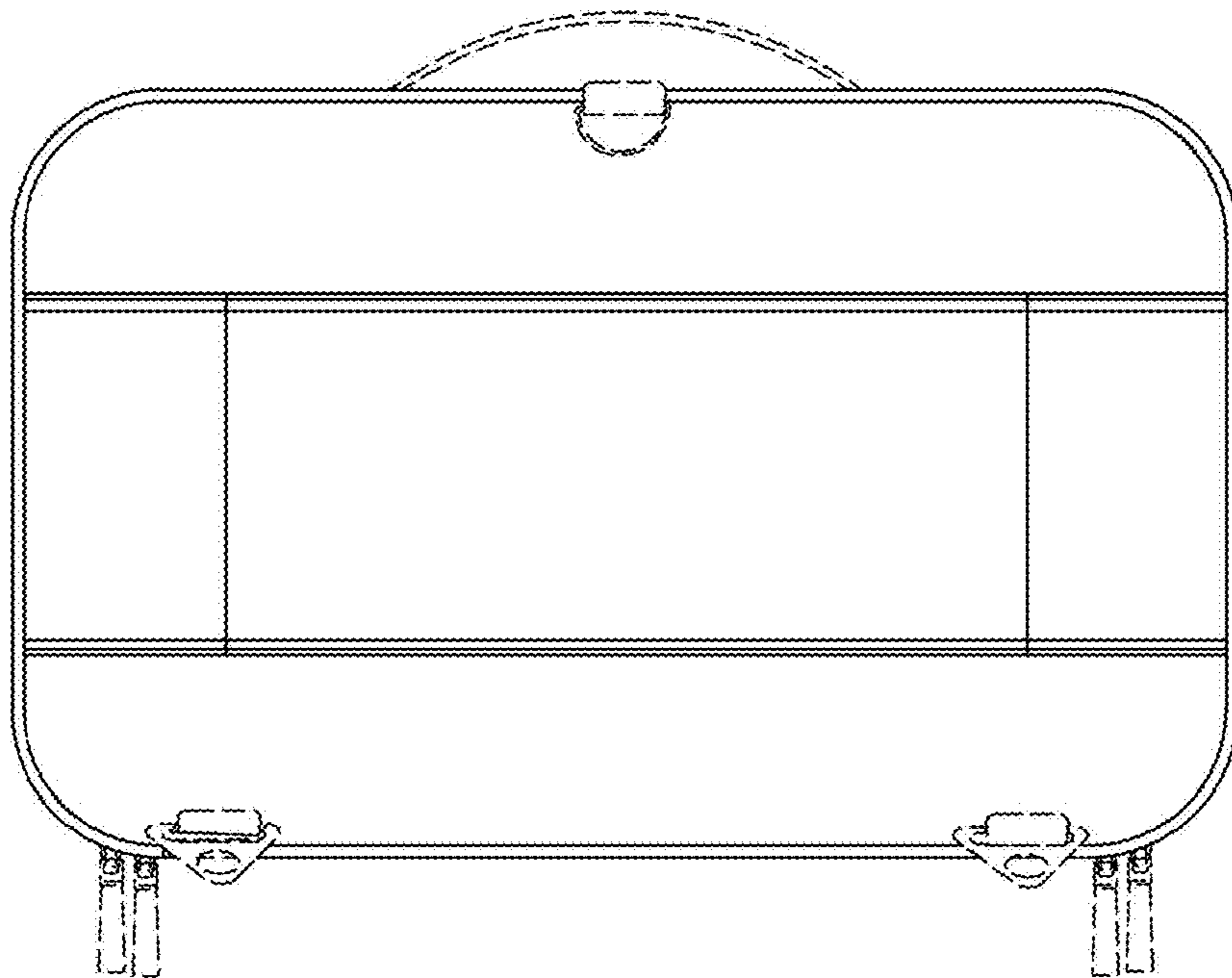


FIG. 2

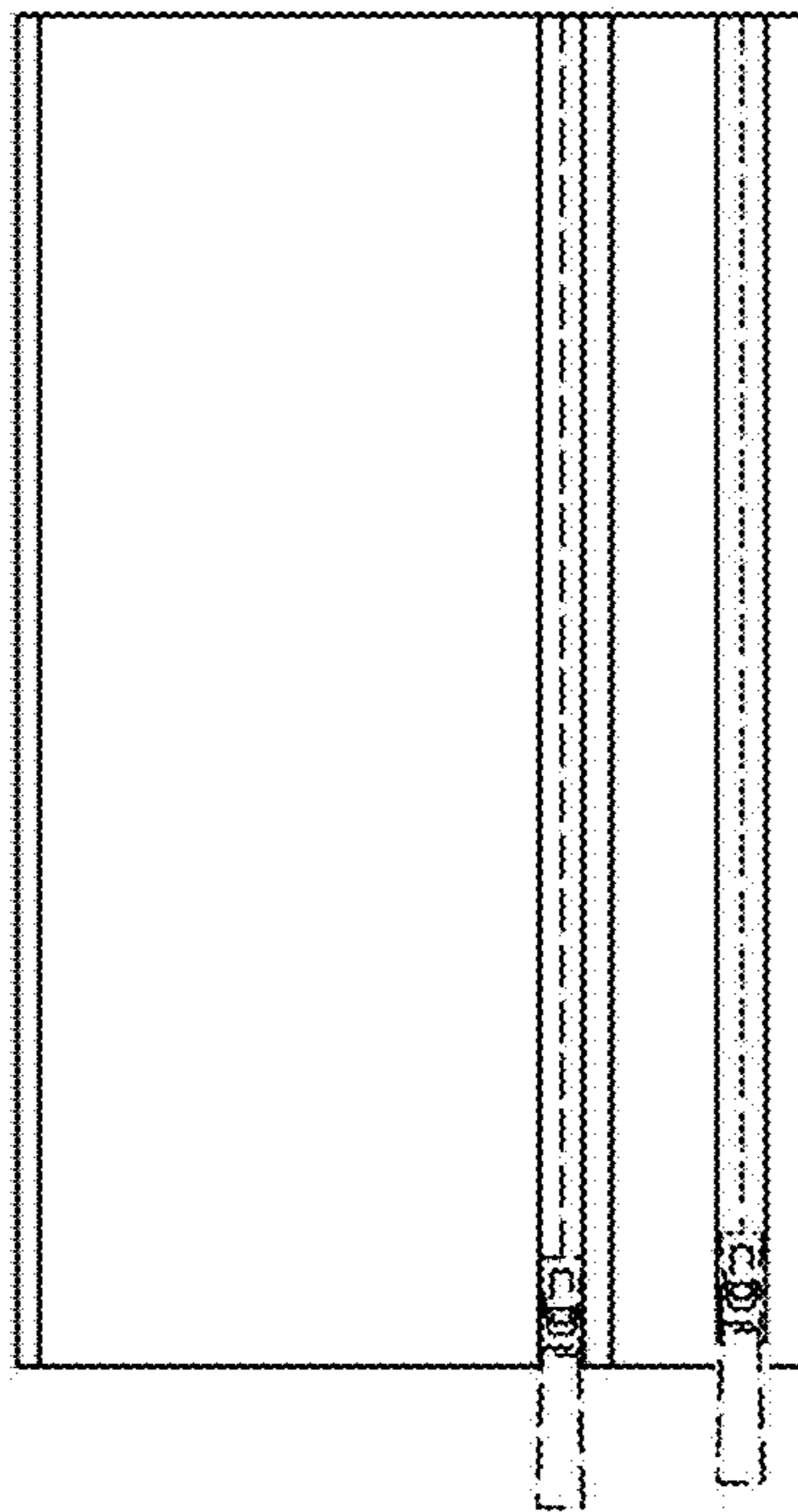


FIG. 3

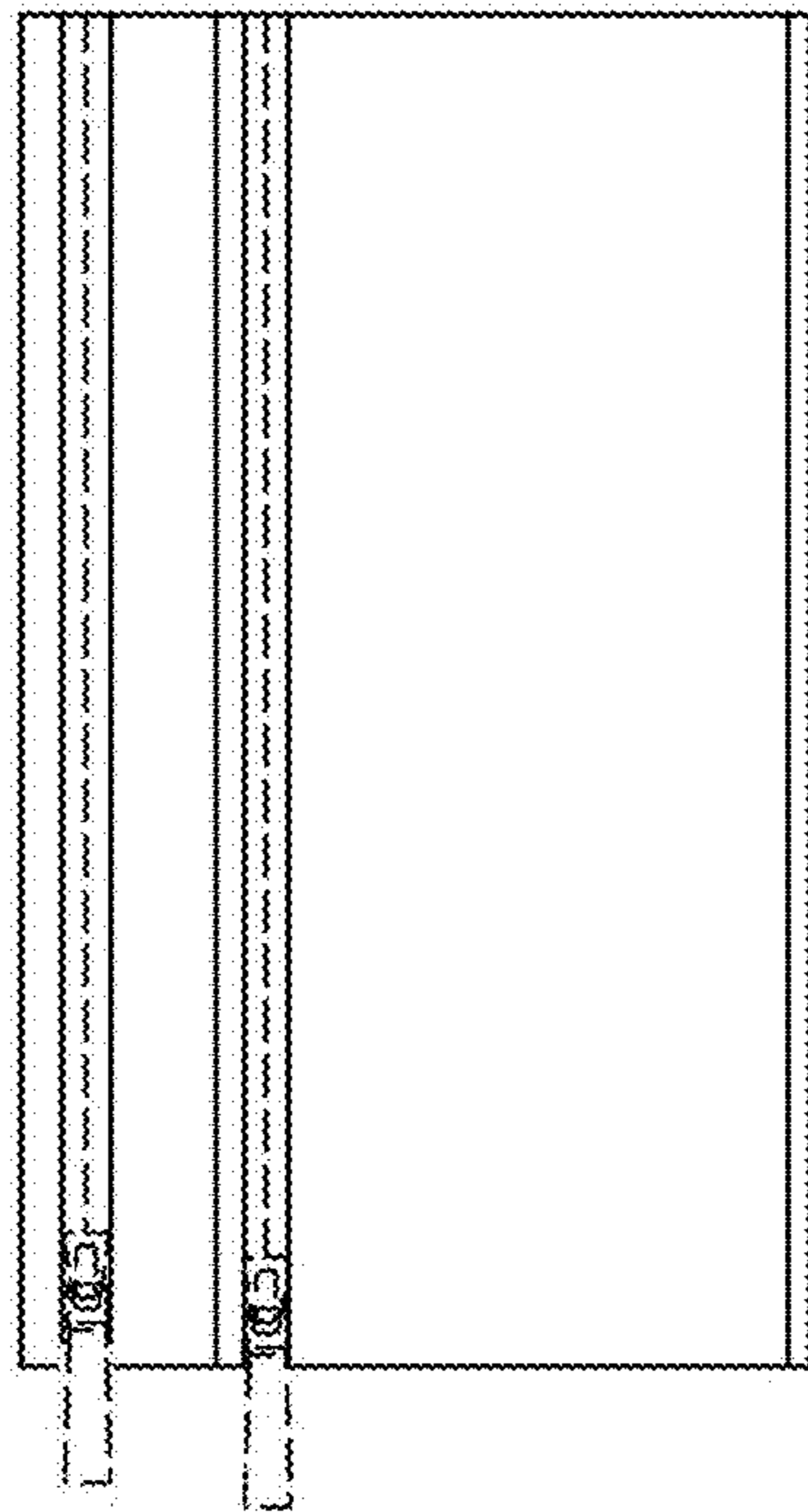


FIG. 4

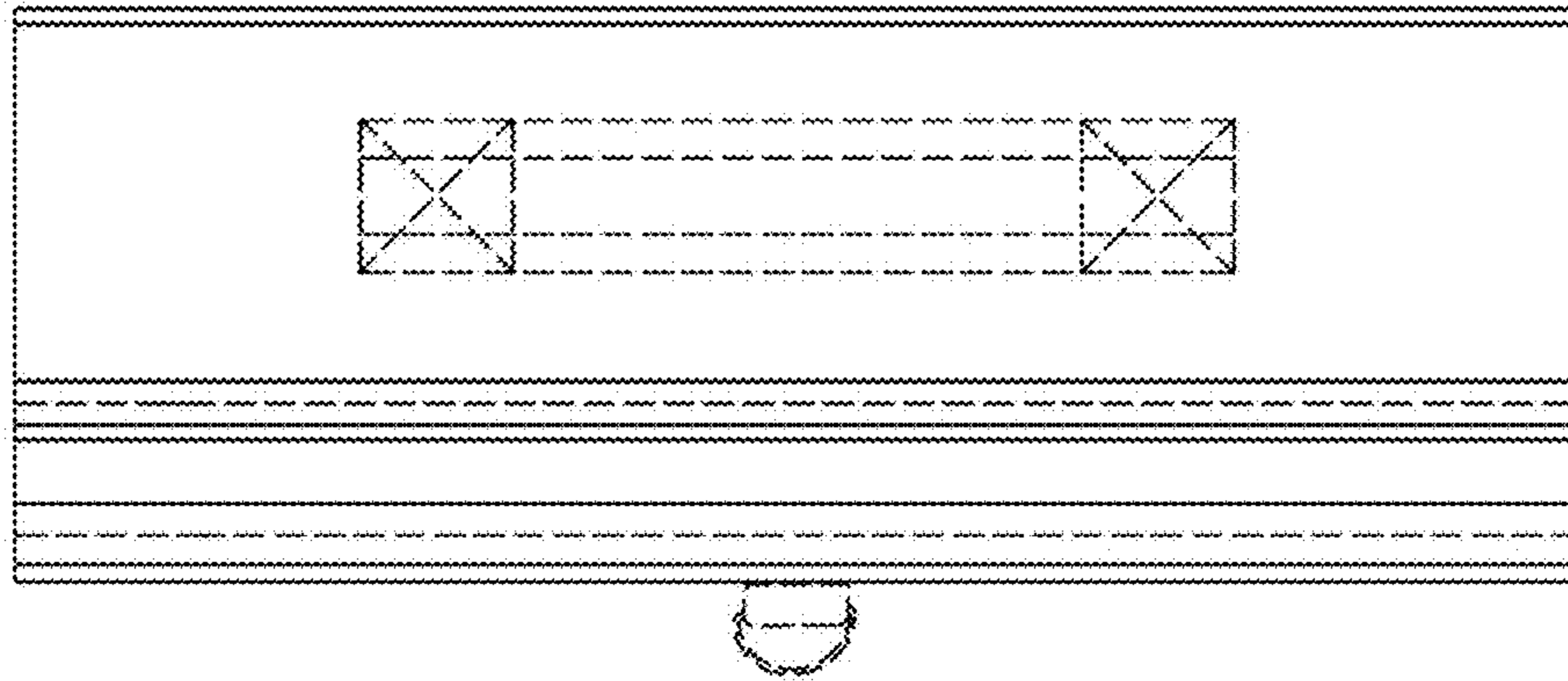


FIG. 5

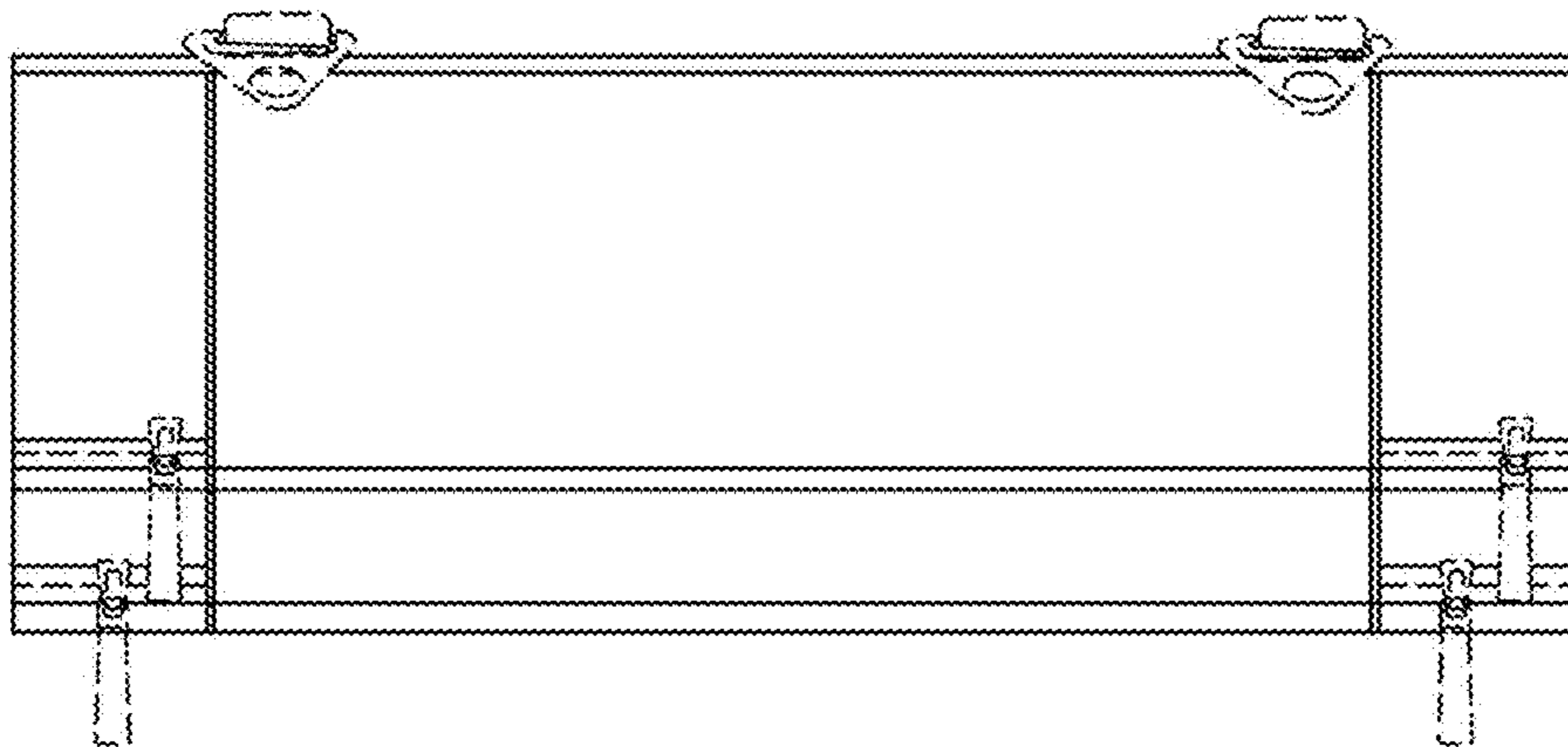


FIG. 6



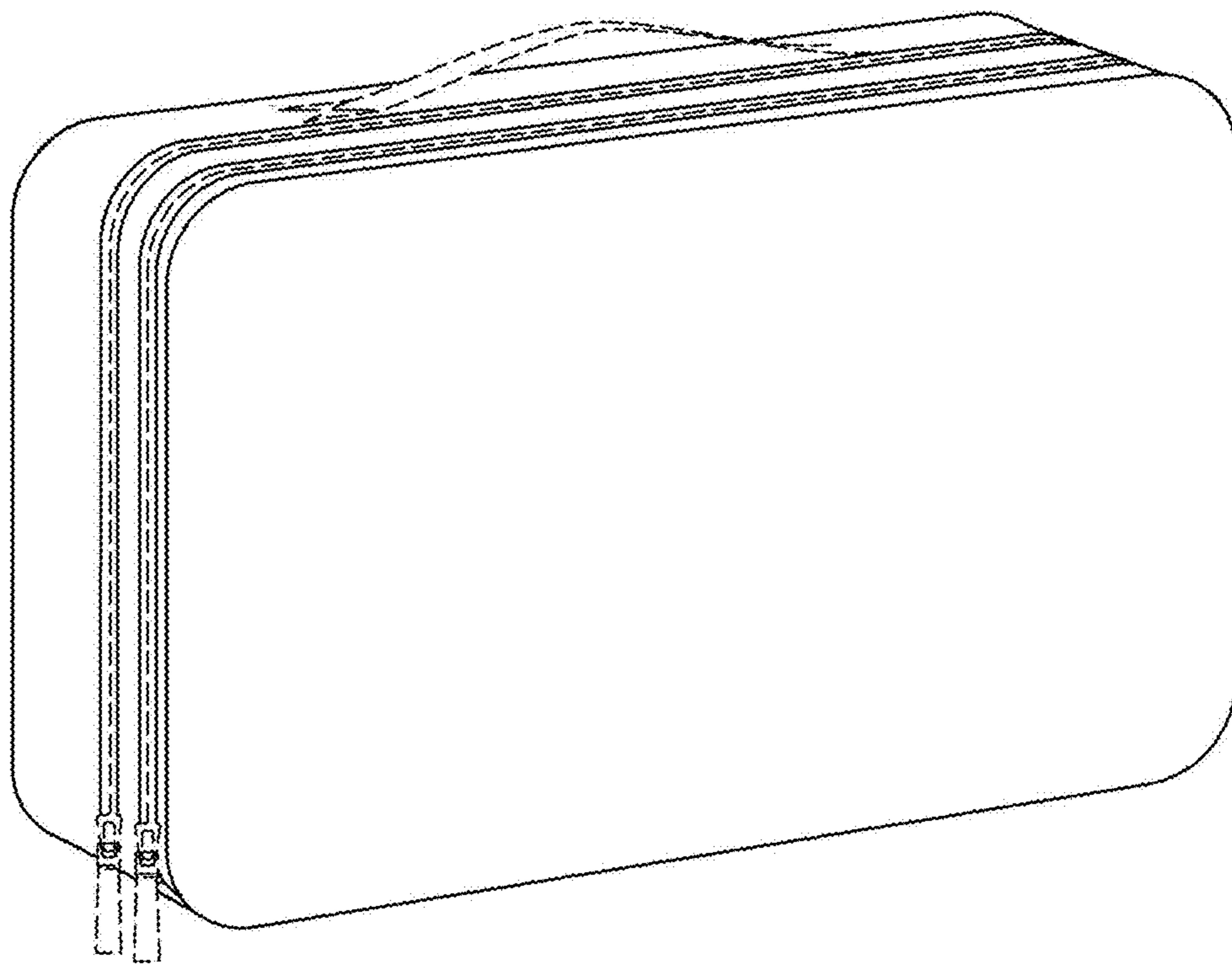


FIG. 7

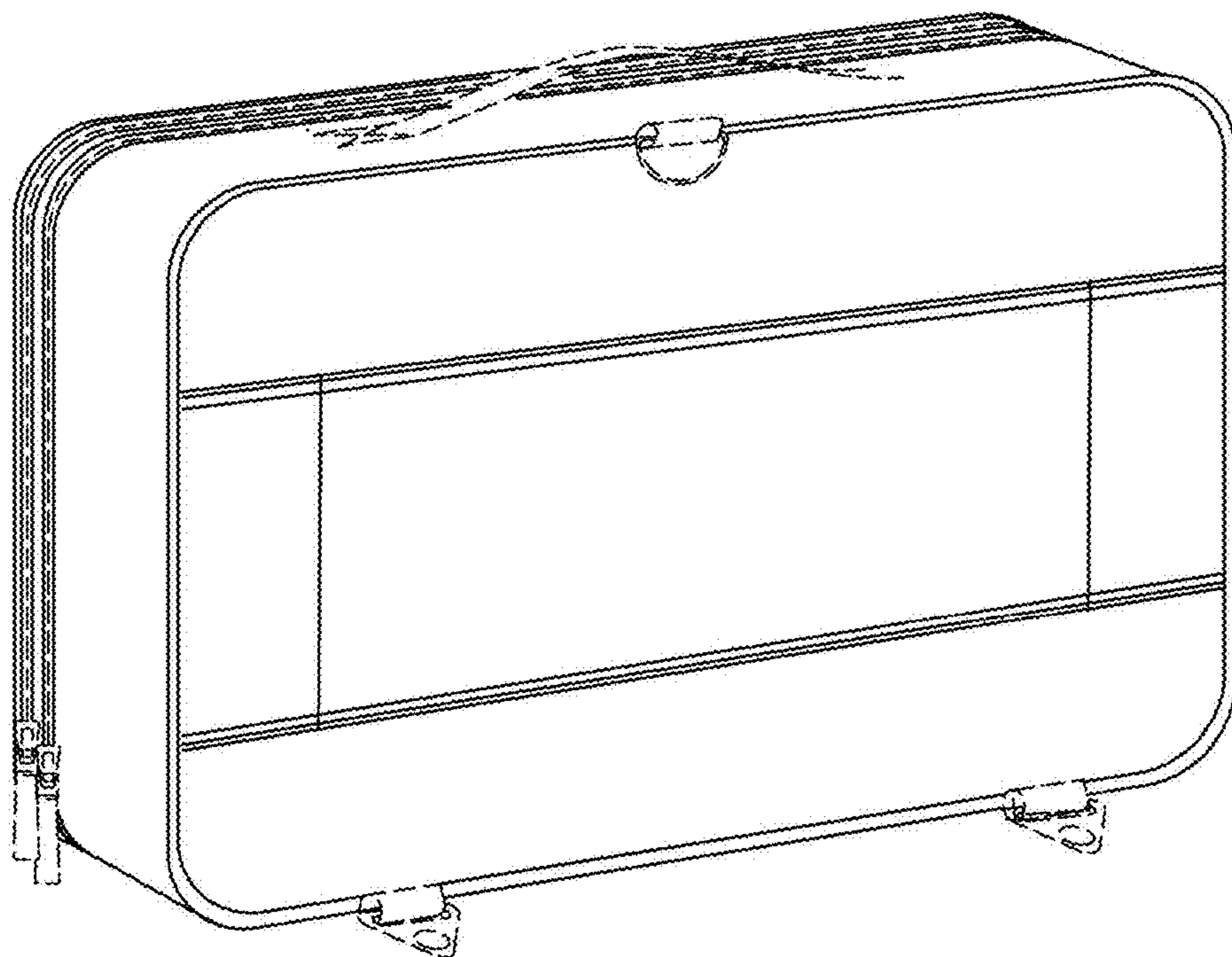


FIG. 8



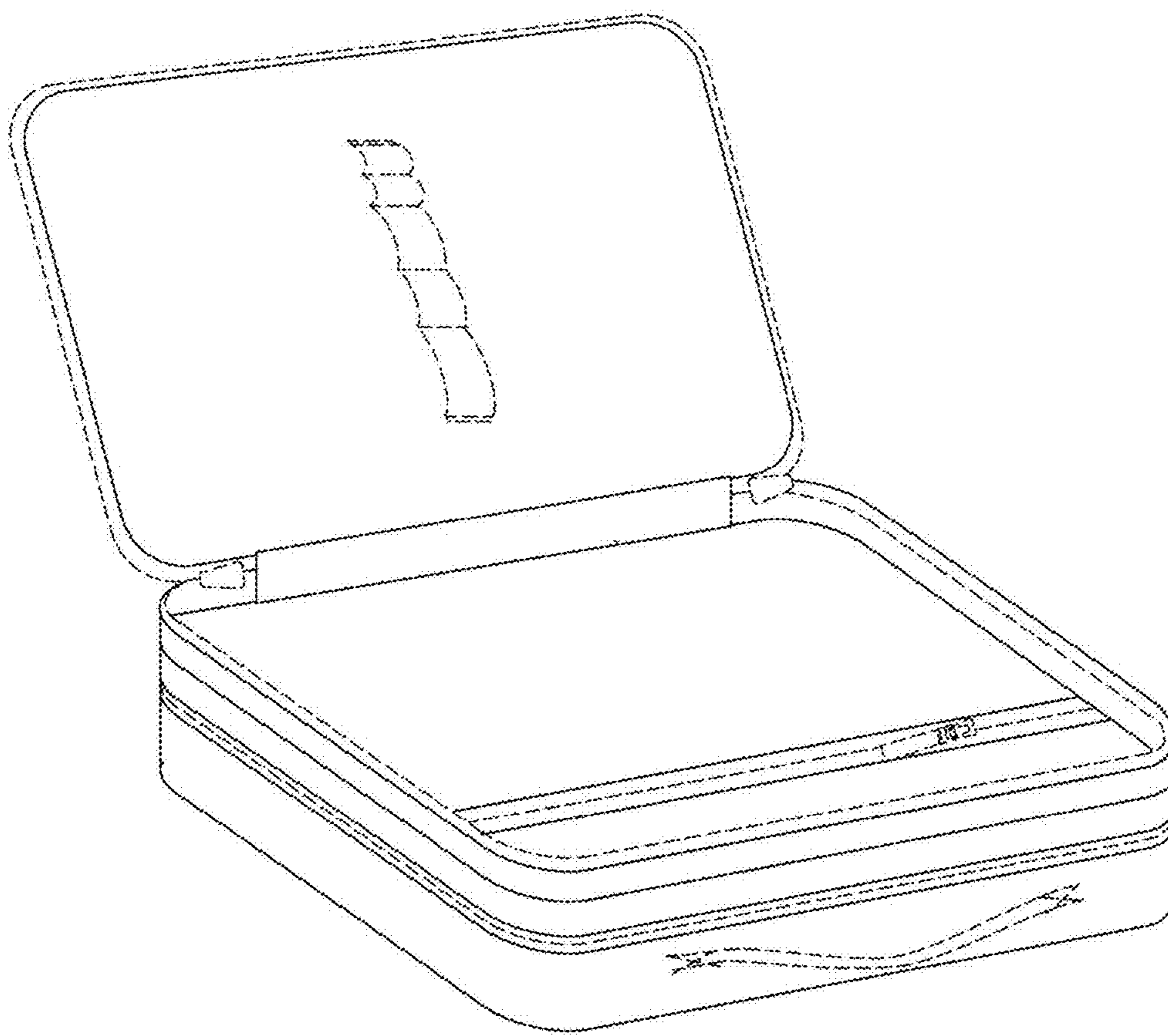


FIG. 9

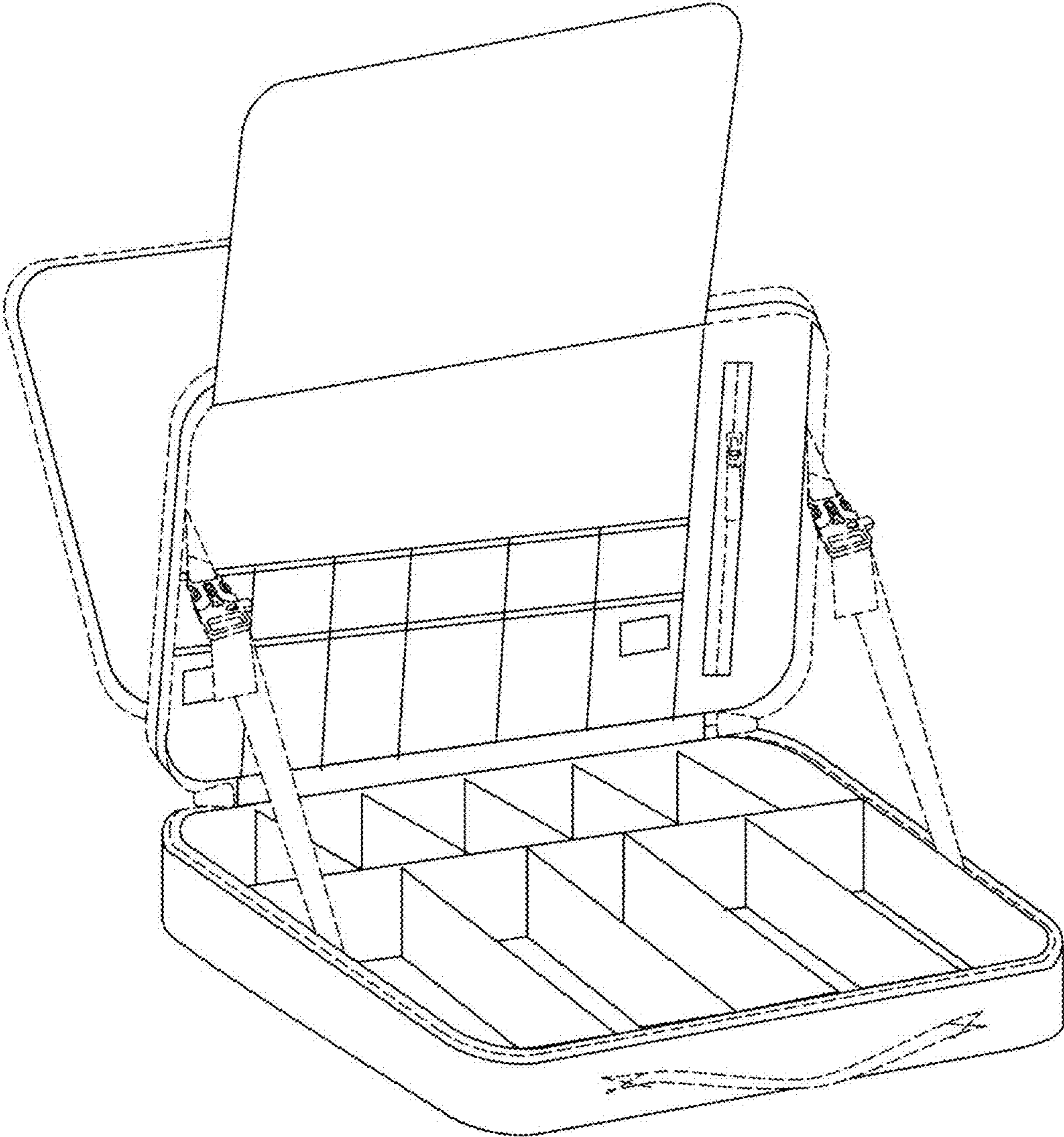


FIG. 10

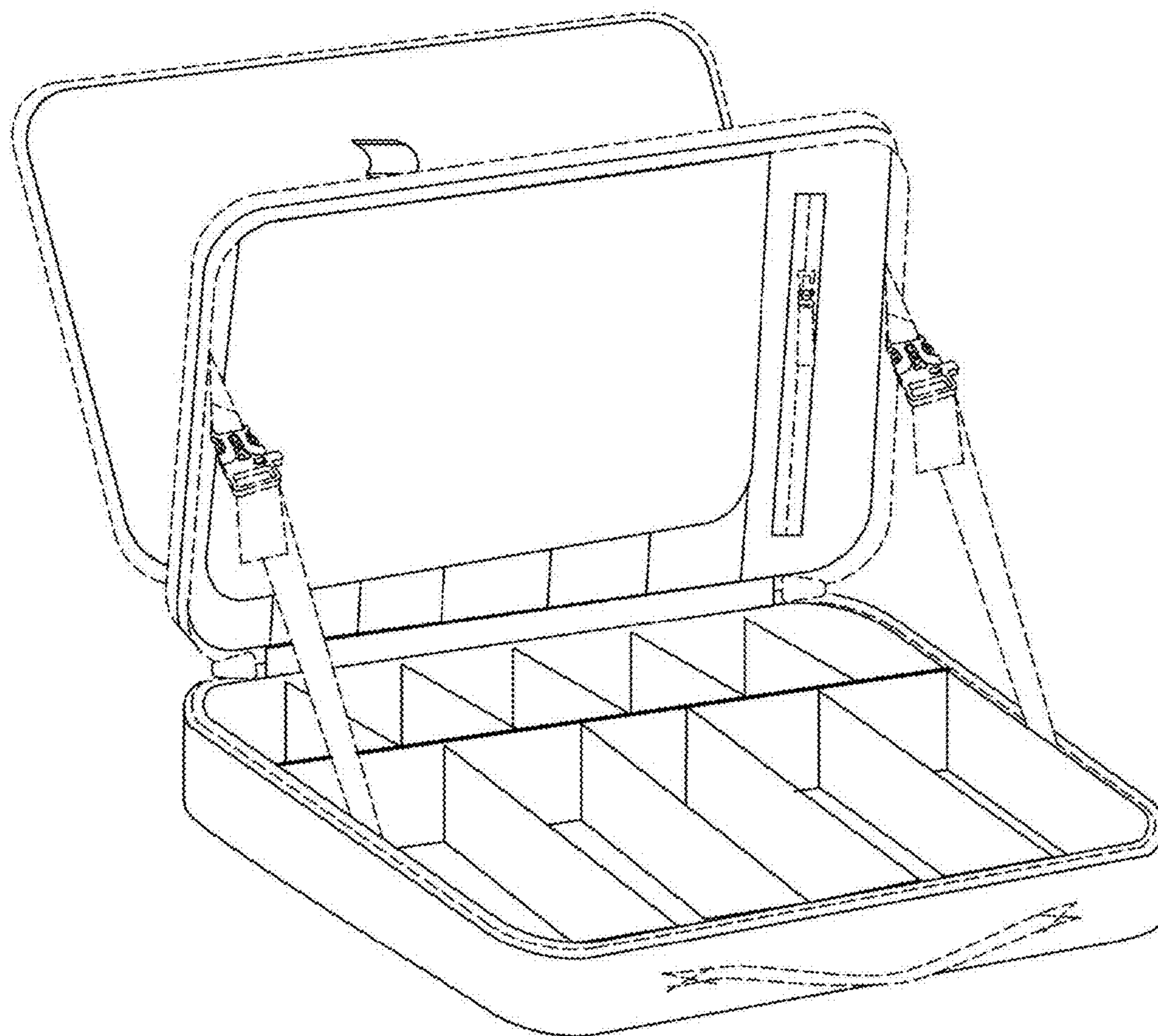


FIG. 11