



US00D841966S

(12) **United States Design Patent**  
**Mitchell**

(10) **Patent No.:** **US D841,966 S**  
(45) **Date of Patent:** **\*\* Mar. 5, 2019**

- (54) **SHOE MIDSOLE**
- (71) Applicant: **Vionic Group LLC**, San Rafael, CA (US)
- (72) Inventor: **Terry Mitchell**, Larkspur, CA (US)
- (73) Assignee: **Vionic Group LLC**, San Rafael, CA (US)
- (\*\*) Term: **15 Years**
- (21) Appl. No.: **29/604,212**
- (22) Filed: **May 16, 2017**
- (51) **LOC (11) Cl.** ..... **02-04**
- (52) **U.S. Cl.**  
USPC ..... **D2/961**
- (58) **Field of Classification Search**  
USPC ..... D2/896, 968, 961, 946, 947; D24/124, D24/126; 36/43, 44  
CPC .... A43B 1/00; A43B 1/10; A43B 1/14; A43B 7/00; A43B 7/14; A43B 7/1405; A43B 7/141; A43B 7/1415; A43B 7/142; A43B 7/1425; A43B 7/143; A43B 7/1435; A43B 7/144; A43B 7/1445; A43B 7/145; A43B 7/1465; A43B 7/32; A43B 17/00; A43B 17/003; A43B 17/006; A43B 17/08; A43B 17/14; A43B 17/18; A43B 19/00  
See application file for complete search history.

- 1,658,170 A \* 2/1928 La Chapelle ..... A43B 13/14 36/28
- D188,932 S \* 10/1960 Cleghorne ..... 36/44
- 3,143,812 A \* 8/1964 Bittner ..... A43B 13/38 36/155
- D324,761 S \* 3/1992 Soo-Kwan ..... D2/961
- D329,129 S \* 9/1992 Brown ..... D2/961
- D366,139 S \* 1/1996 Finn ..... D2/961
- D370,116 S \* 5/1996 Passke ..... D2/961
- D487,185 S \* 3/2004 Grisoni ..... D2/961
- D517,291 S \* 3/2006 Vasyli ..... D2/961
- D533,336 S \* 12/2006 Walker ..... D2/961
- D578,284 S \* 10/2008 Elliott ..... D2/961
- D580,640 S \* 11/2008 Wurzburg ..... D2/946
- D615,742 S \* 5/2010 Vasyli ..... D2/961
- D699,424 S \* 2/2014 Hamm ..... D2/961
- D721,880 S \* 2/2015 Finn ..... D2/961
- D722,754 S \* 2/2015 Vasyli ..... D2/961
- D746,033 S \* 12/2015 Cherneski ..... D2/961
- D752,327 S \* 3/2016 Yoon ..... D2/961
- D765,375 S \* 9/2016 Joseph ..... D2/961

(Continued)

*Primary Examiner* — Elizabeth J Oswecki  
(74) *Attorney, Agent, or Firm* — Reed Smith LLP; Nina Habib Borders

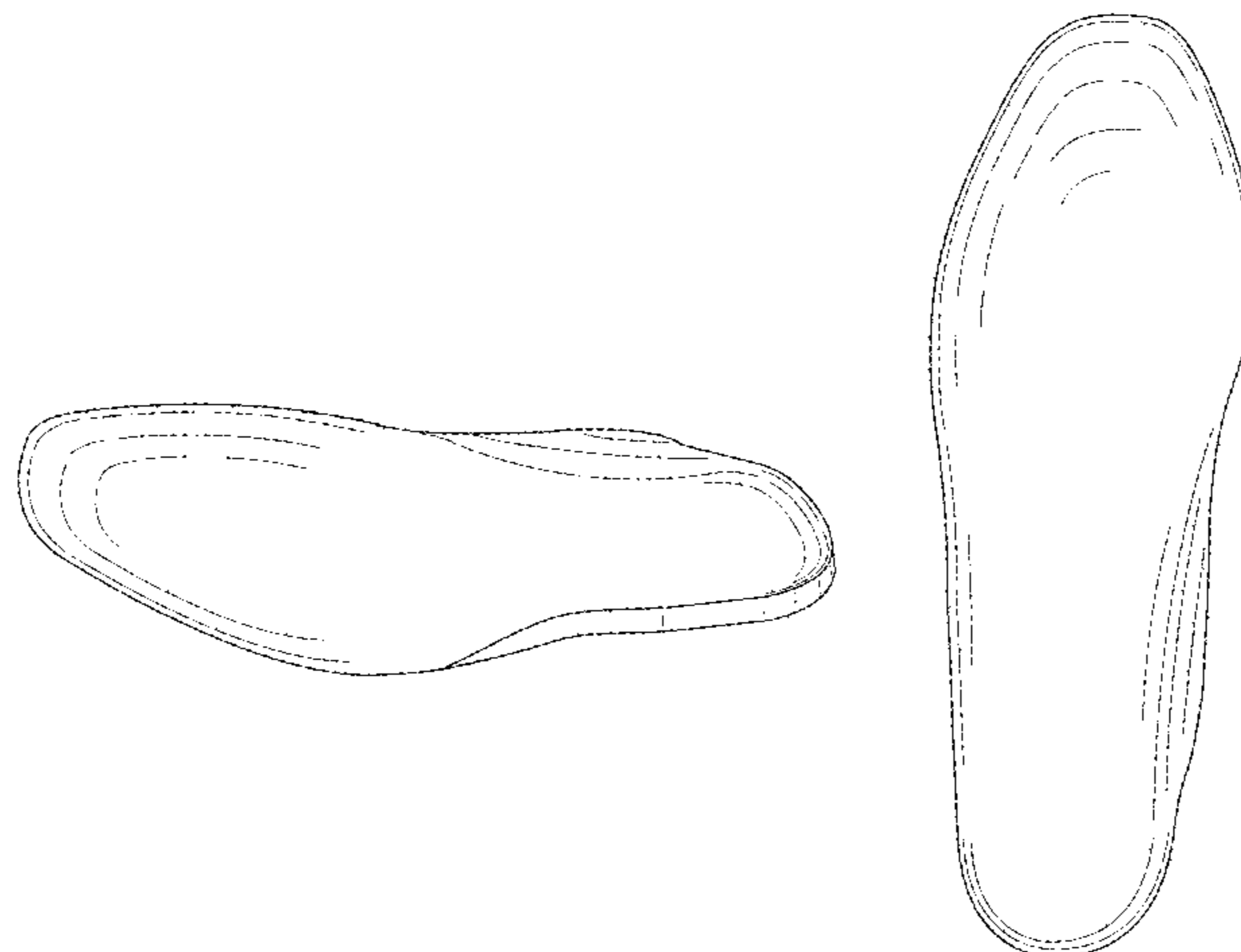
(57) **CLAIM**

The ornamental design for a shoe midsole, as shown and described.

**DESCRIPTION**

FIG. 1 is a top perspective view of a shoe midsole showing my new design;  
FIG. 2 is a top plan view thereof;  
FIG. 3 is a bottom plan view thereof;  
FIG. 4 is a right side elevation view thereof;  
FIG. 5 is a left side elevation view thereof;  
FIG. 6 is a front elevational view thereof;  
FIG. 7 is a rear elevational view thereof; and,  
FIG. 8 is a bottom perspective view thereof.

**1 Claim, 3 Drawing Sheets**



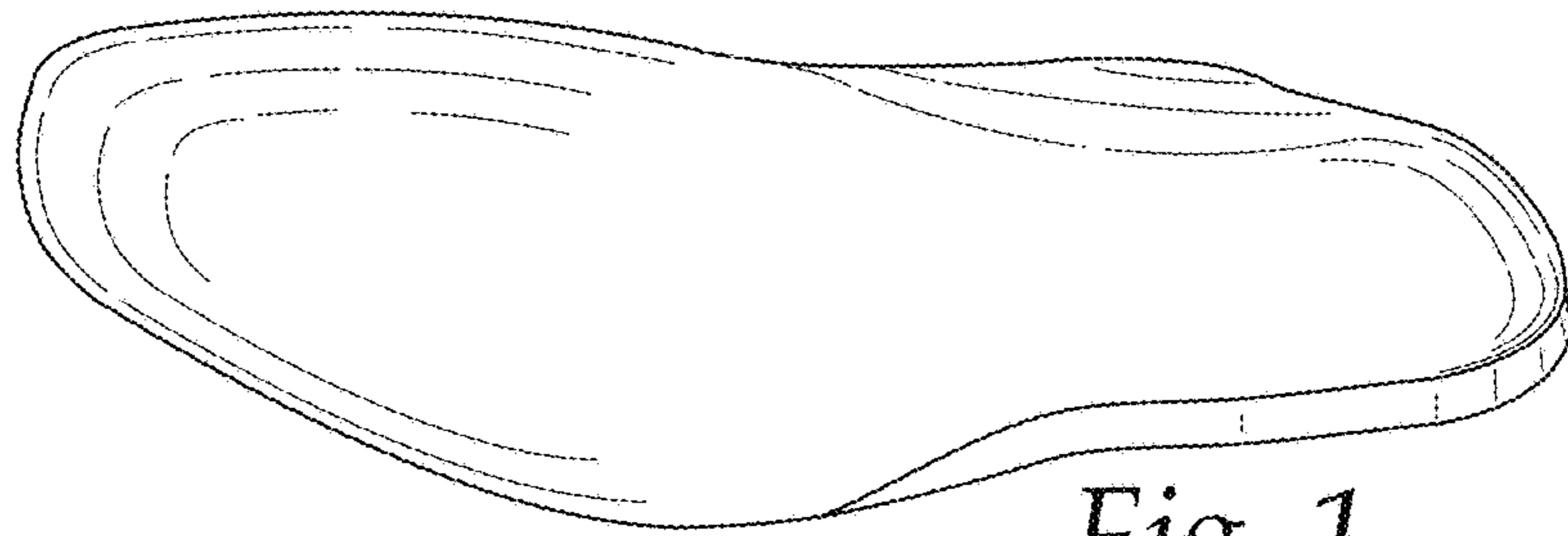
(56)

**References Cited**

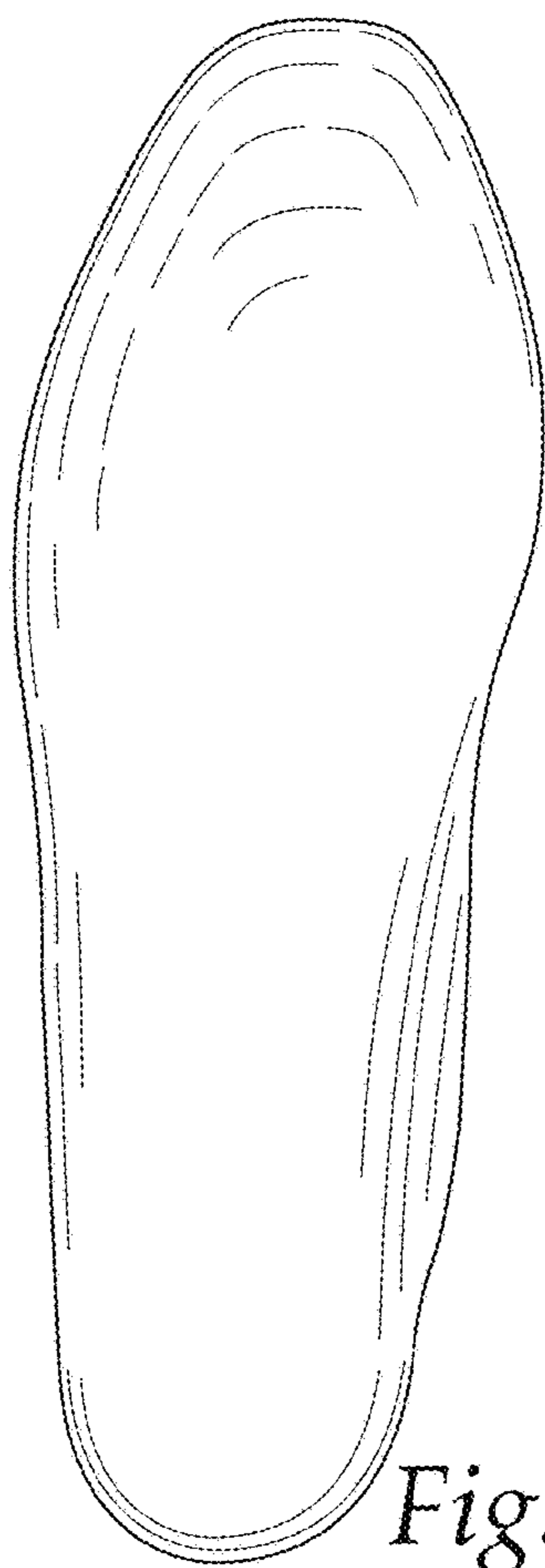
U.S. PATENT DOCUMENTS

D768,370 S	*	10/2016	Kanji .....	D2/961
D771,363 S	*	11/2016	Vasyli .....	D2/961
D772,545 S	*	11/2016	Jia .....	D2/961
D796,175 S	*	9/2017	Mitchell .....	D2/961
D801,020 S	*	10/2017	Garbolinski .....	D2/961
D801,662 S	*	11/2017	Manolian .....	D2/961

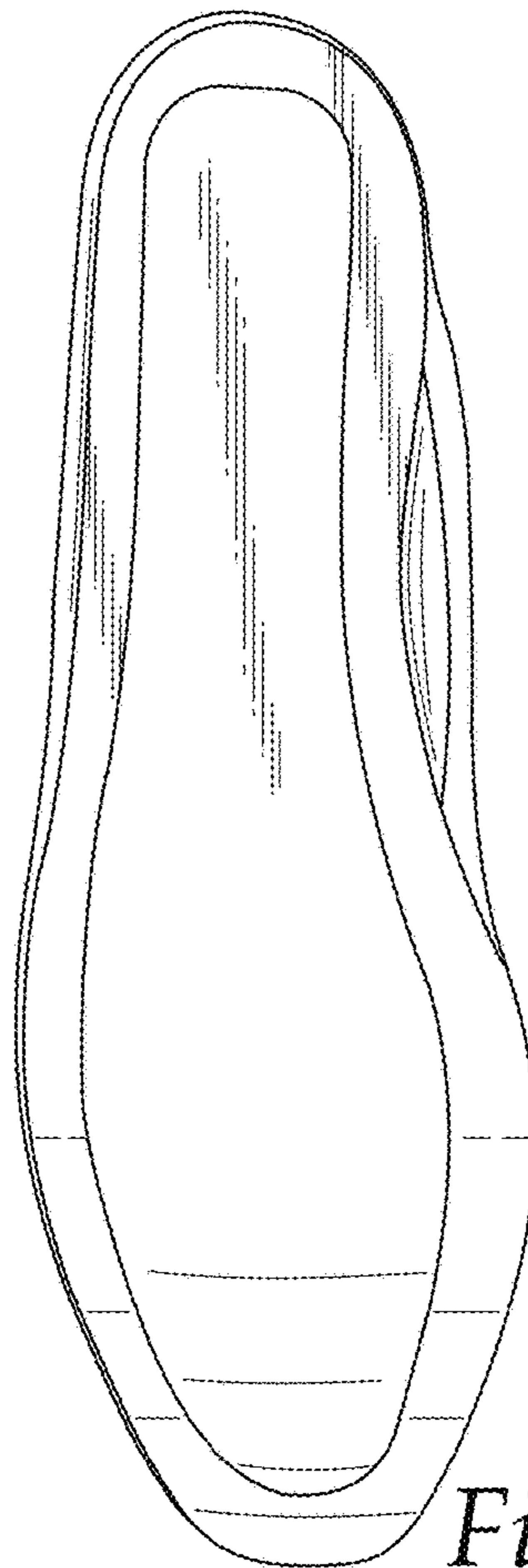
\* cited by examiner



*Fig. 1*



*Fig. 2*



*Fig. 3*

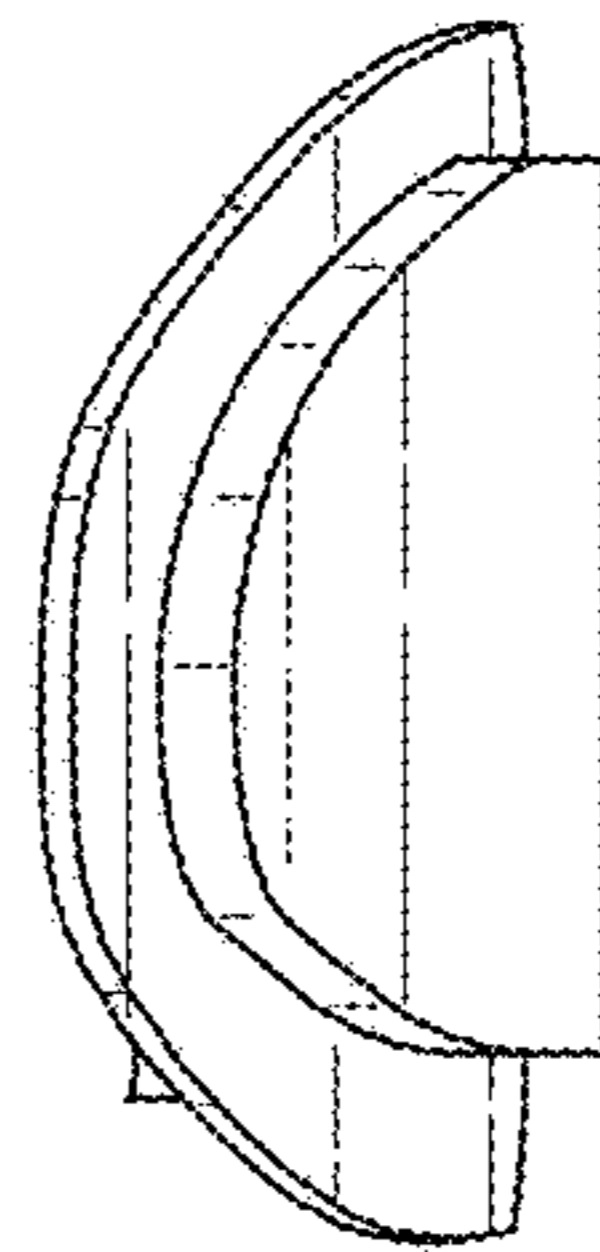
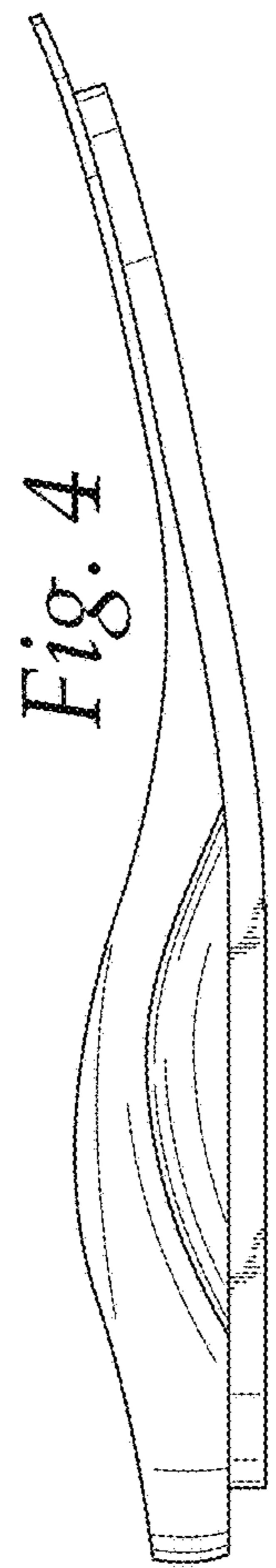
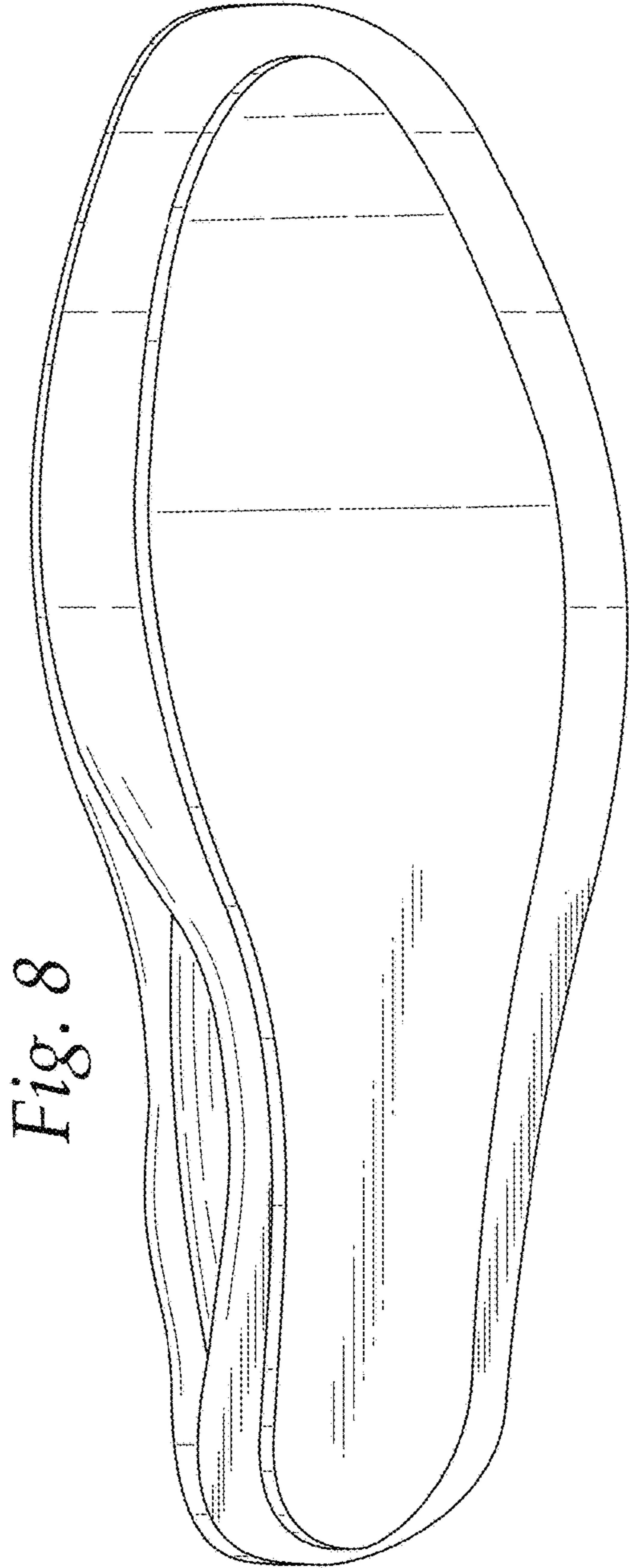


Fig. 7

Fig. 6



*Fig. 8*