



US00D841946S

(12) **United States Design Patent**
Egelja

(10) **Patent No.:** **US D841,946 S**

(45) **Date of Patent:** **** Mar. 5, 2019**

- (54) **SANDAL**
- (71) Applicant: **Vionic Group LLC**, San Rafael, CA (US)
- (72) Inventor: **Amy Egelja**, Marblehead, MA (US)
- (73) Assignee: **Vionic Group LLC**, San Rafael, CA (US)
- (**) Term: **15 Years**
- (21) Appl. No.: **29/602,733**
- (22) Filed: **May 3, 2017**
- (51) **LOC (11) Cl.** **02-04**
- (52) **U.S. Cl.**
USPC **D2/917; D2/918**
- (58) **Field of Classification Search**
USPC D2/896-900, 903, 916-925, 932, 946, D2/953, 969
CPC A43B 13/12; A43B 3/102; A43B 3/126; A43B 3/10
See application file for complete search history.

- (56) **References Cited**
U.S. PATENT DOCUMENTS
4,069,601 A * 1/1978 Robbins A43B 3/102 36/104
D278,946 S * 5/1985 Chen D2/917
D333,904 S * 3/1993 Eminger D2/917
D448,542 S * 10/2001 Bryant D2/917
D450,178 S * 11/2001 Boncutter D2/916
D602,234 S * 10/2009 Feller D2/917
D603,588 S * 11/2009 McClaskie D2/916
D661,473 S * 6/2012 Panariello, Jr. D2/917
D688,852 S * 9/2013 Garvie D2/918
D711,078 S * 8/2014 Vasyli D2/917
D716,530 S * 11/2014 Walker, Jr. D2/917
D725,351 S * 3/2015 Tref D2/918

- D728,904 S * 5/2015 Wakeland A43B 5/00 D2/917
- 9,032,644 B1 * 5/2015 Koo A43B 5/00 36/30 R
- D794,923 S * 8/2017 Maurer D2/917

* cited by examiner

Primary Examiner — Rashida C. Walshon
 (74) *Attorney, Agent, or Firm* — Reed Smith LLP; Nina Habib Borders

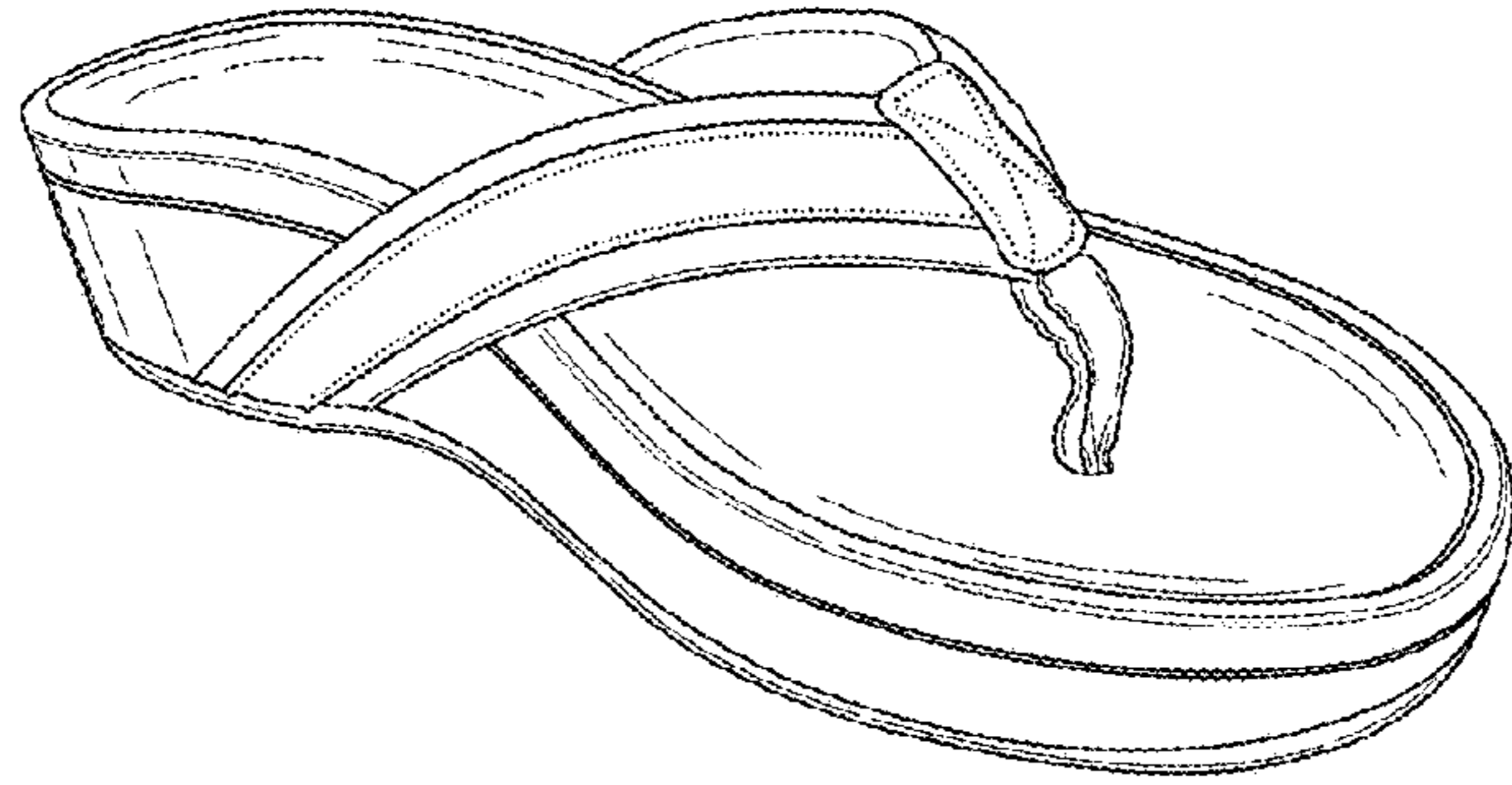
(57) **CLAIM**
 The ornamental design for the sandal, as shown and described.

DESCRIPTION

FIG. 1 is a top perspective view of my ornamental design for a sandal;
 FIG. 2 is a left side elevation view thereof;
 FIG. 3 is a right side elevation view thereof;
 FIG. 4 is a top plan view thereof;
 FIG. 5 is a bottom plan view thereof;
 FIG. 6 is a front elevation view thereof;
 FIG. 7 is a rear elevation view thereof; and
 FIG. 8 is a top perspective view of a second embodiment of my ornamental design for a sandal;
 FIG. 9 is a left side elevation view of the embodiment shown in FIG. 8;
 FIG. 10 is a right side elevation view of the embodiment shown in FIG. 8;
 FIG. 11 is a top plan view of the embodiment shown in FIG. 8;
 FIG. 12 is a bottom plan view of the embodiment shown in FIG. 8;
 FIG. 13 is a front elevation view of the embodiment shown in FIG. 8; and,
 FIG. 14 is a rear elevation view of the embodiment shown in FIG. 8.

The broken lines in the drawings represent environment and form no part of the claimed design.

1 Claim, 4 Drawing Sheets



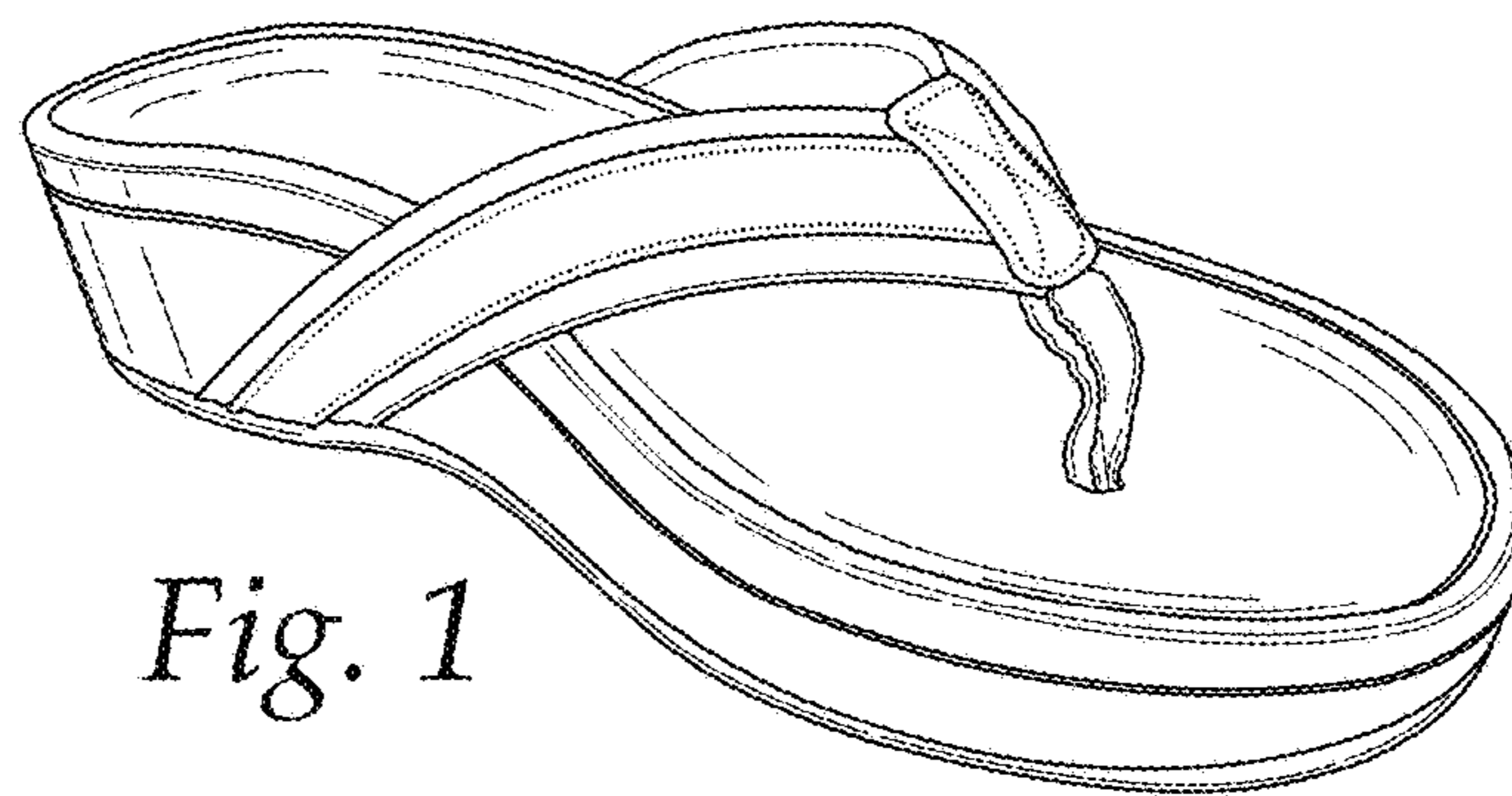


Fig. 1

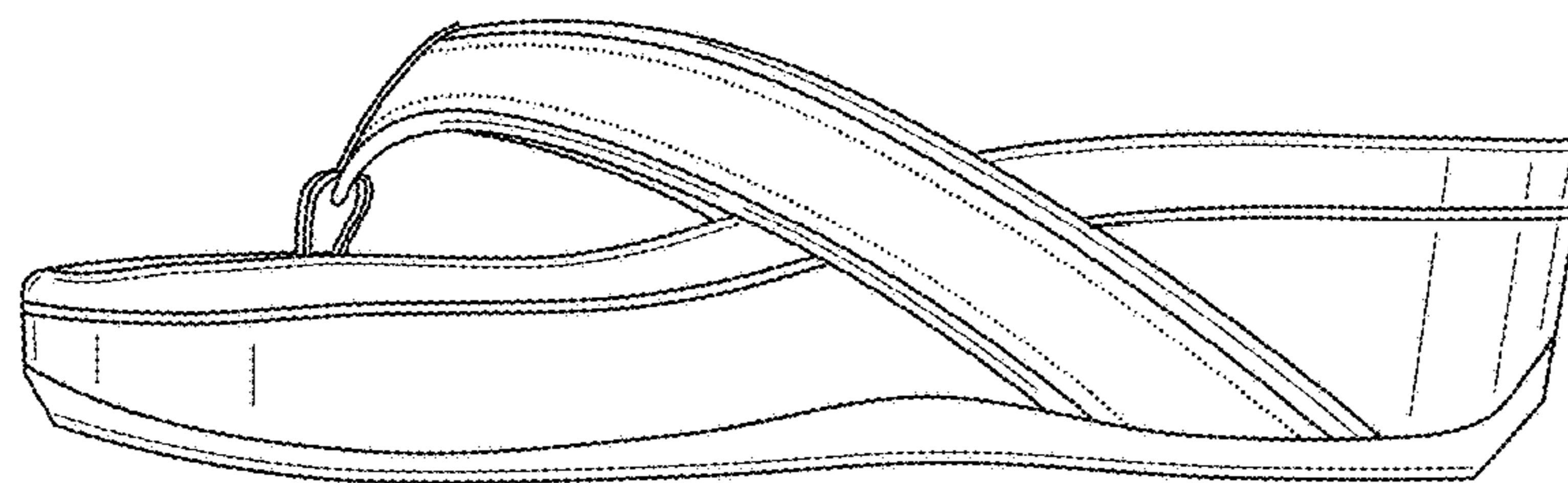


Fig. 2

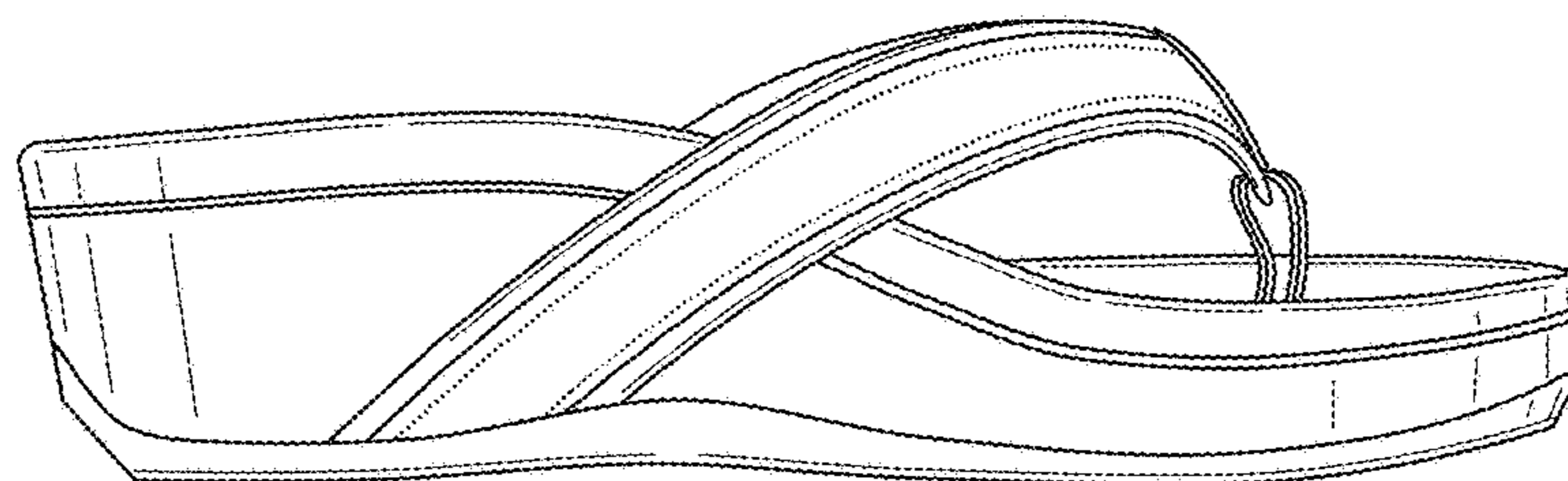


Fig. 3

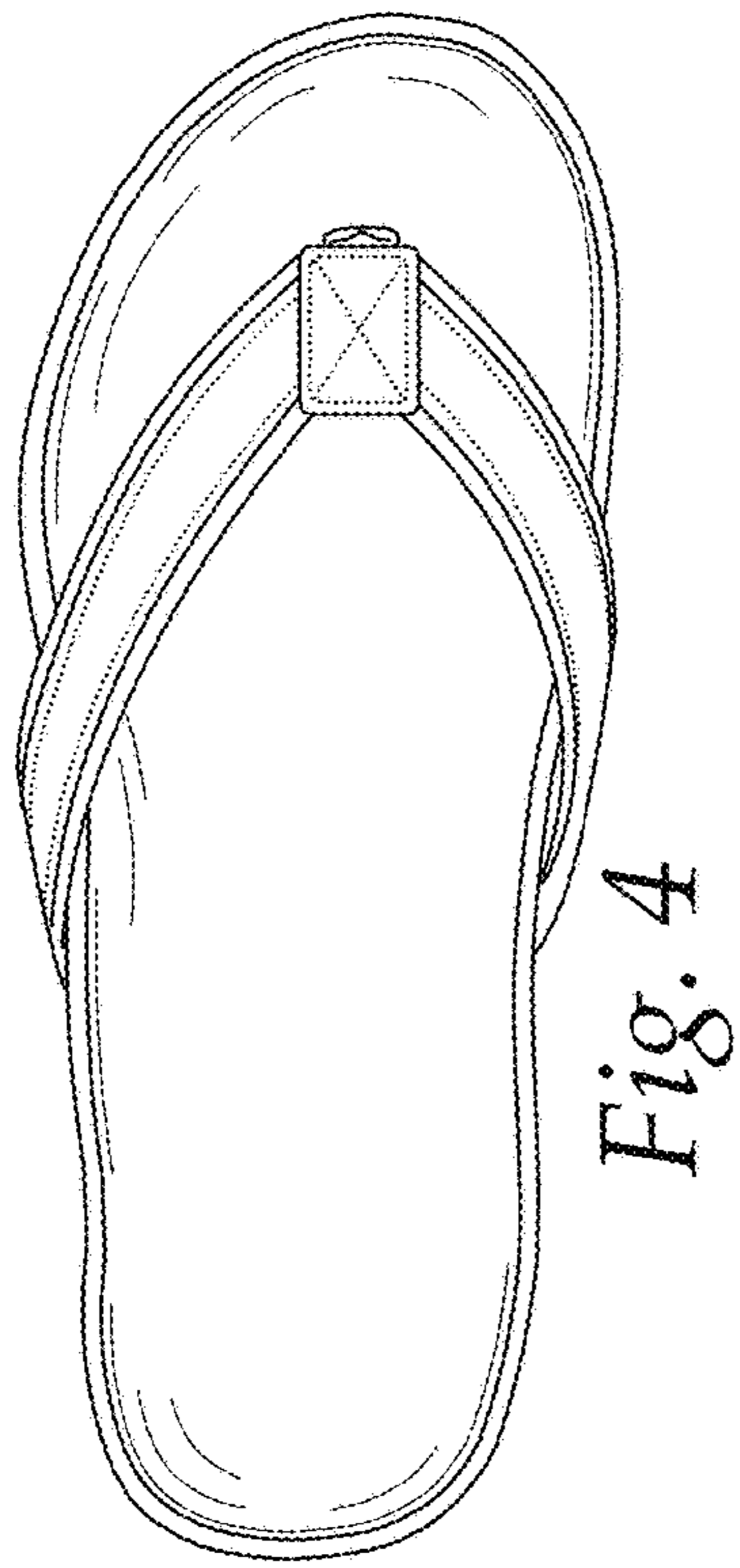


Fig. 4

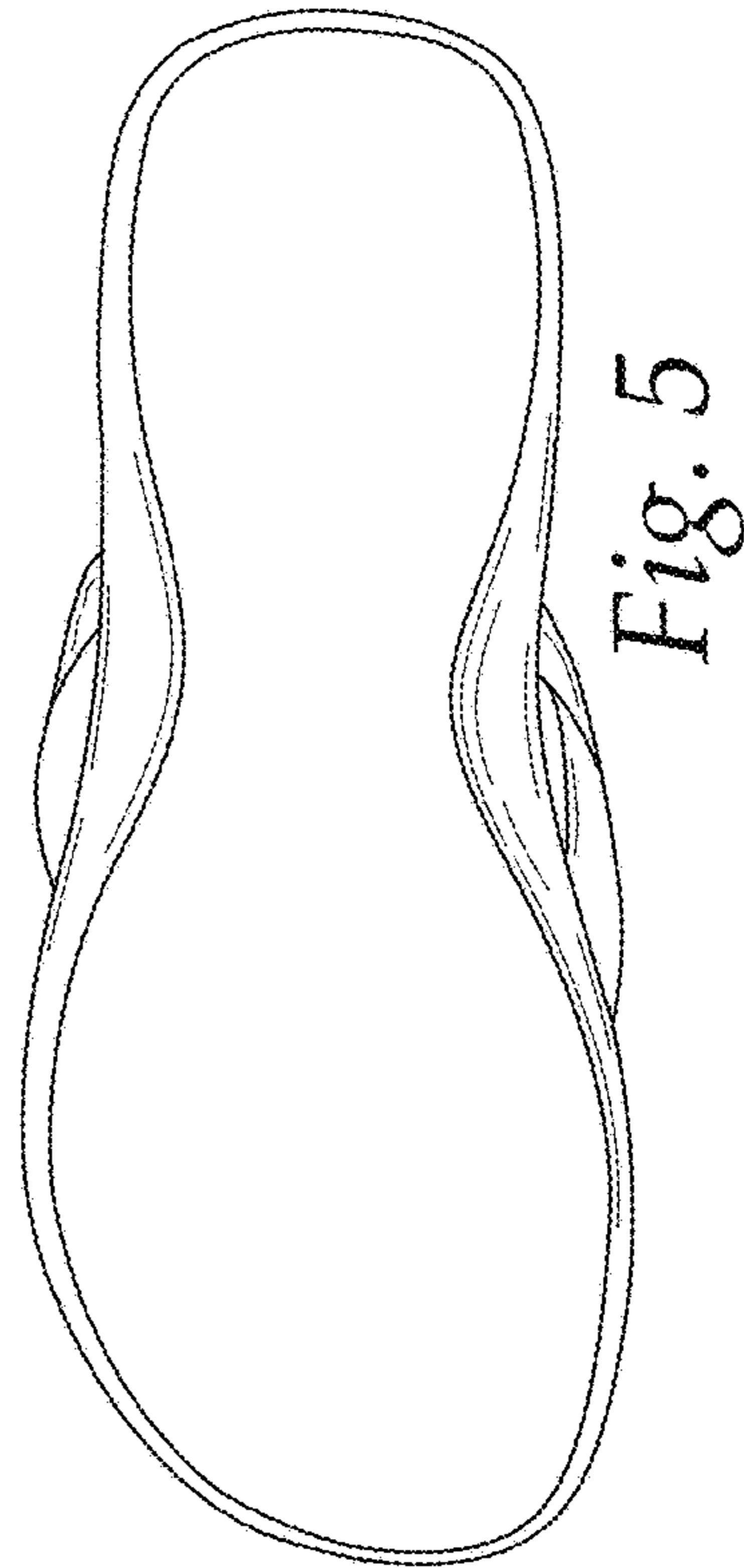


Fig. 5

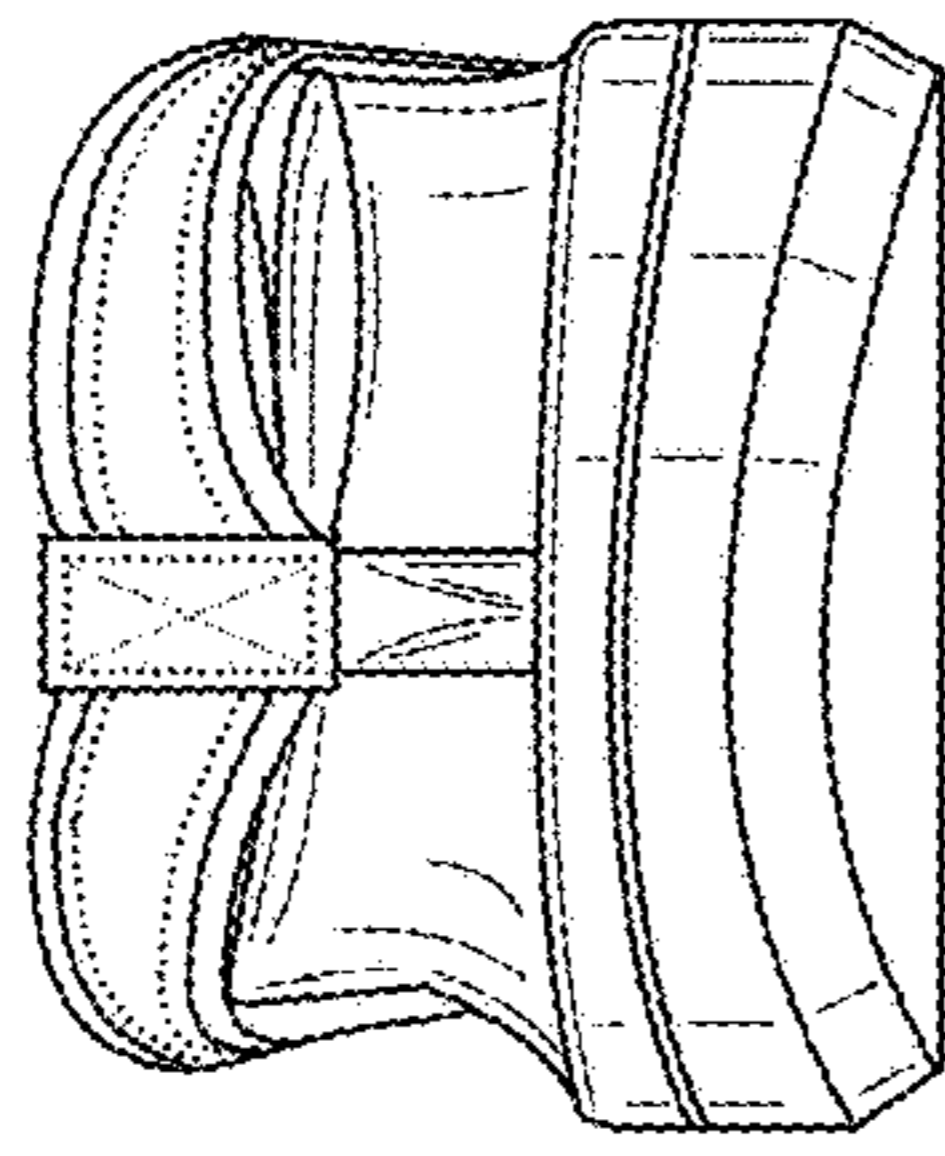


Fig. 6

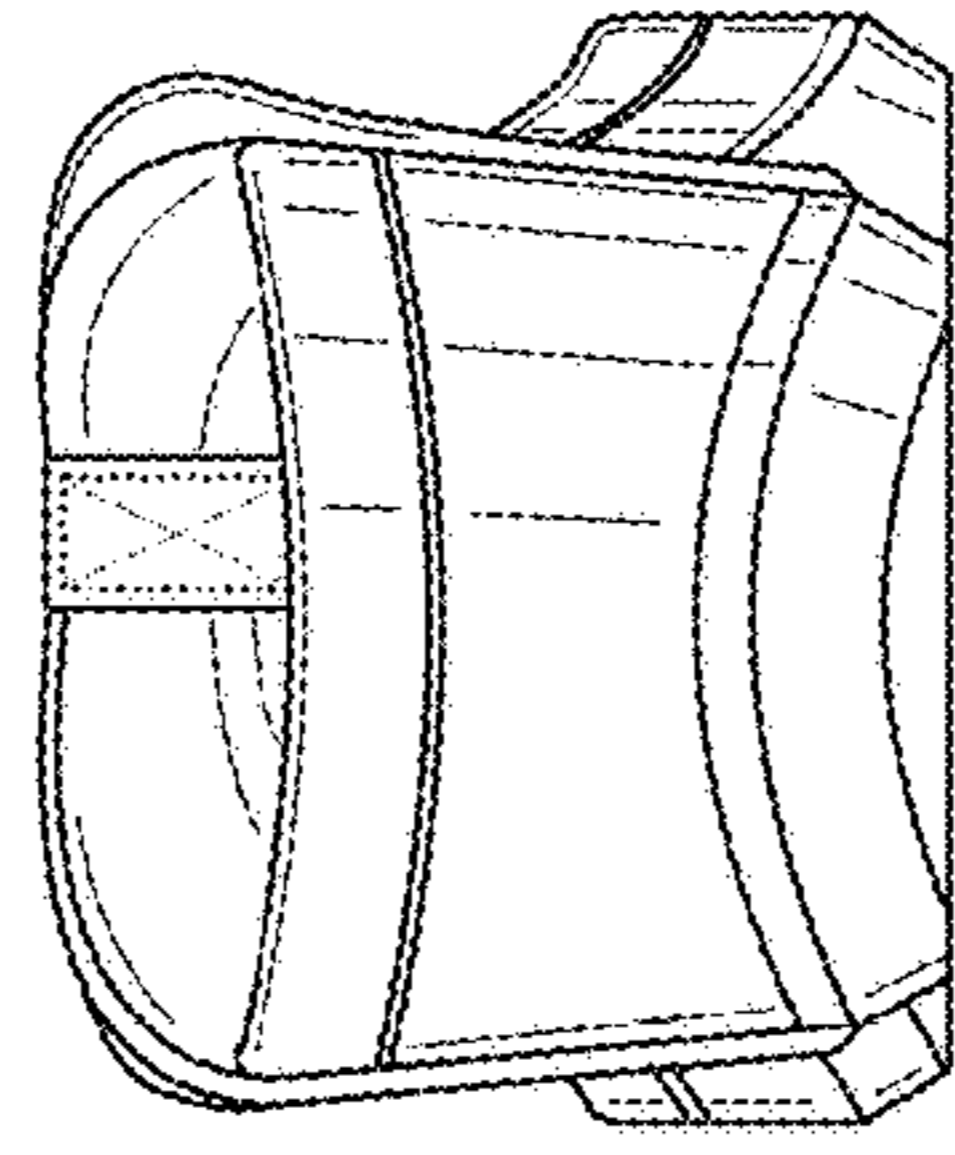


Fig. 7

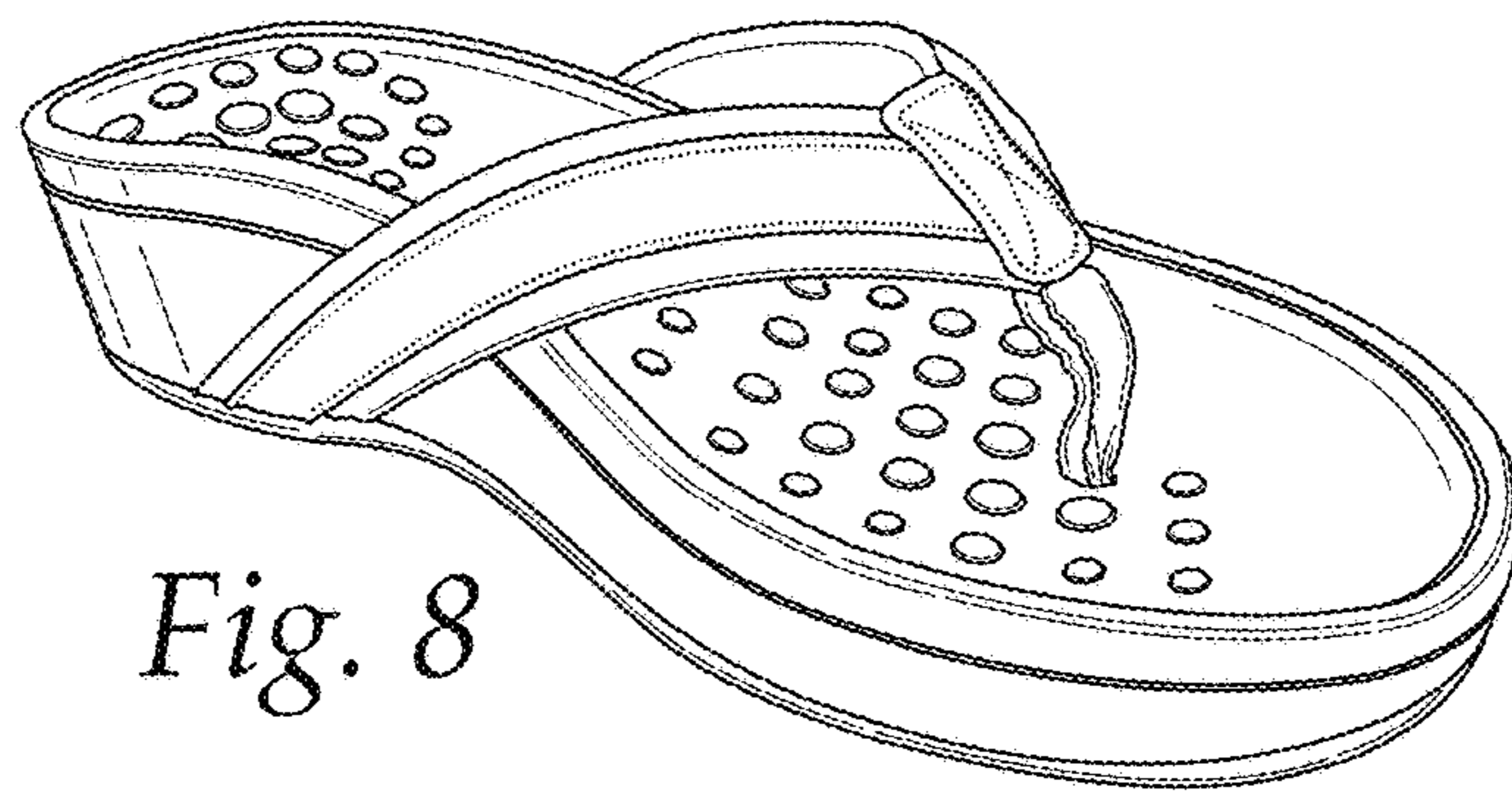


Fig. 8

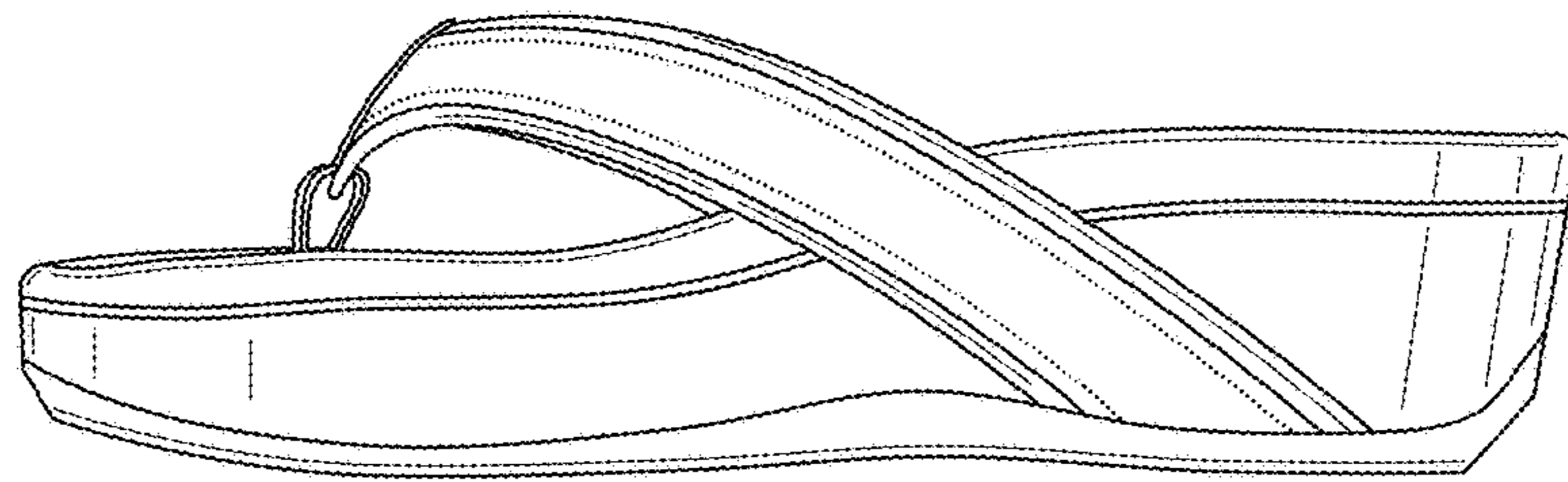


Fig. 9

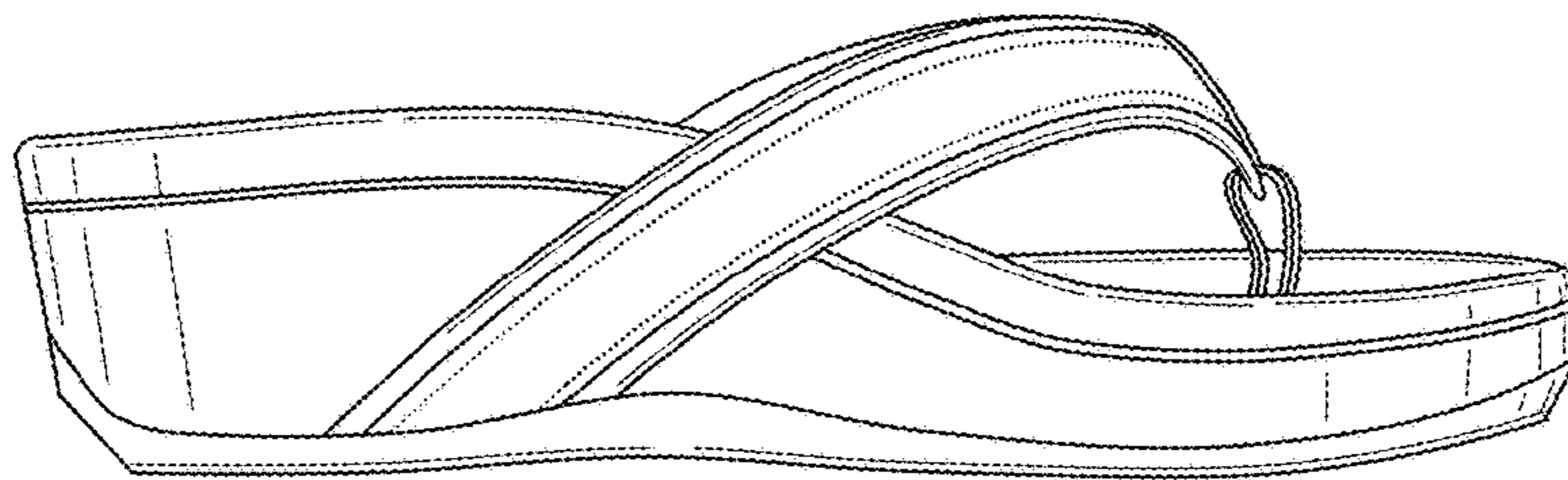


Fig. 10

