



US00D841945S

(12) **United States Design Patent** (10) **Patent No.:** **US D841,945 S**  
**Beckmann Legorreta** (45) **Date of Patent:** **\*\* Mar. 5, 2019**

(54) **SHOE WITH A SKULL DESIGN**  
(71) Applicant: **Karen Virginia Beckmann Legorreta**,  
Mexico City (MX)  
(72) Inventor: **Karen Virginia Beckmann Legorreta**,  
Mexico City (MX)

D560,332 S \* 1/2008 Della Valle ..... D2/923  
D563,634 S \* 3/2008 Della Valle ..... D2/923  
D590,140 S \* 4/2009 Della Valle ..... D2/923  
D602,681 S \* 10/2009 Della Valle ..... D2/896  
D611,239 S \* 3/2010 Brambilla ..... D2/923  
D613,488 S \* 4/2010 Meador ..... D2/897  
D625,502 S \* 10/2010 Brambilla ..... D2/946  
D652,612 S \* 1/2012 Campbell ..... D2/923

(Continued)

(\*\*) Term: **15 Years**

(21) Appl. No.: **29/556,872**

(22) Filed: **Mar. 3, 2016**

(51) **LOC (11) Cl.** ..... **02-04**

(52) **U.S. Cl.**  
USPC ..... **D2/897**

(58) **Field of Classification Search**  
USPC ..... D2/896, 897, 919, 923, 924, 946, 948,  
D2/951, 952; 36/25 R, 3 R, 32 R, 59 R,  
36/112-116, 132, 136  
CPC .. A43B 3/14; A43B 3/10; A43B 13/00; A43B  
23/00

See application file for complete search history.

(56) **References Cited**

**U.S. PATENT DOCUMENTS**

1,398,108 A \* 11/1921 McQuinn ..... A43B 3/14  
36/11  
D84,059 S \* 4/1931 Schubart ..... D2/899  
D102,419 S \* 12/1936 Foster ..... D2/969  
2,340,603 A \* 2/1944 Lyness ..... A43B 3/14  
36/11  
D176,060 S \* 11/1955 Bolding ..... D2/969  
D206,222 S \* 11/1966 Mostlile ..... 36/59 R  
3,310,888 A \* 3/1967 Fielding ..... A43B 3/14  
36/11  
D322,882 S \* 1/1992 Botella ..... D11/136  
D437,676 S \* 2/2001 Ferrer ..... D2/951  
D447,616 S \* 9/2001 Bandini ..... D2/947  
D474,003 S \* 5/2003 Della Valle ..... D2/923  
D485,664 S \* 1/2004 Bray, Jr. .... D2/919  
D511,037 S \* 11/2005 Della Valle ..... D2/923  
D516,780 S \* 3/2006 Della Valle ..... D2/923

**OTHER PUBLICATIONS**

“Bachelorette Lifestyle.” Found online Oct. 11, 2017 at bachelorettelifestyle.wordpress.com. Page dated Oct. 3, 2012. Retrieved from URL: <https://bachelorettelifestyle.wordpress.com/2012/10/03/love-of-the-day-the-smoking-slipper/> (Year: 2012).\*

“Alexander McQueen 2013 skull collection.” Found online Oct. 12, 2017 at [www.skullspiration.com](http://www.skullspiration.com). Page dated Mar. 19, 2013. Retrieved from URL: <http://www.skullspiration.com/alexander-mcqueen-2013-skull-collection/> (Year: 2013).\*

(Continued)

*Primary Examiner* — Garth Rademaker  
*Assistant Examiner* — Katelin G Kloberg

(74) *Attorney, Agent, or Firm* — Abelman, Frayne & Schwab

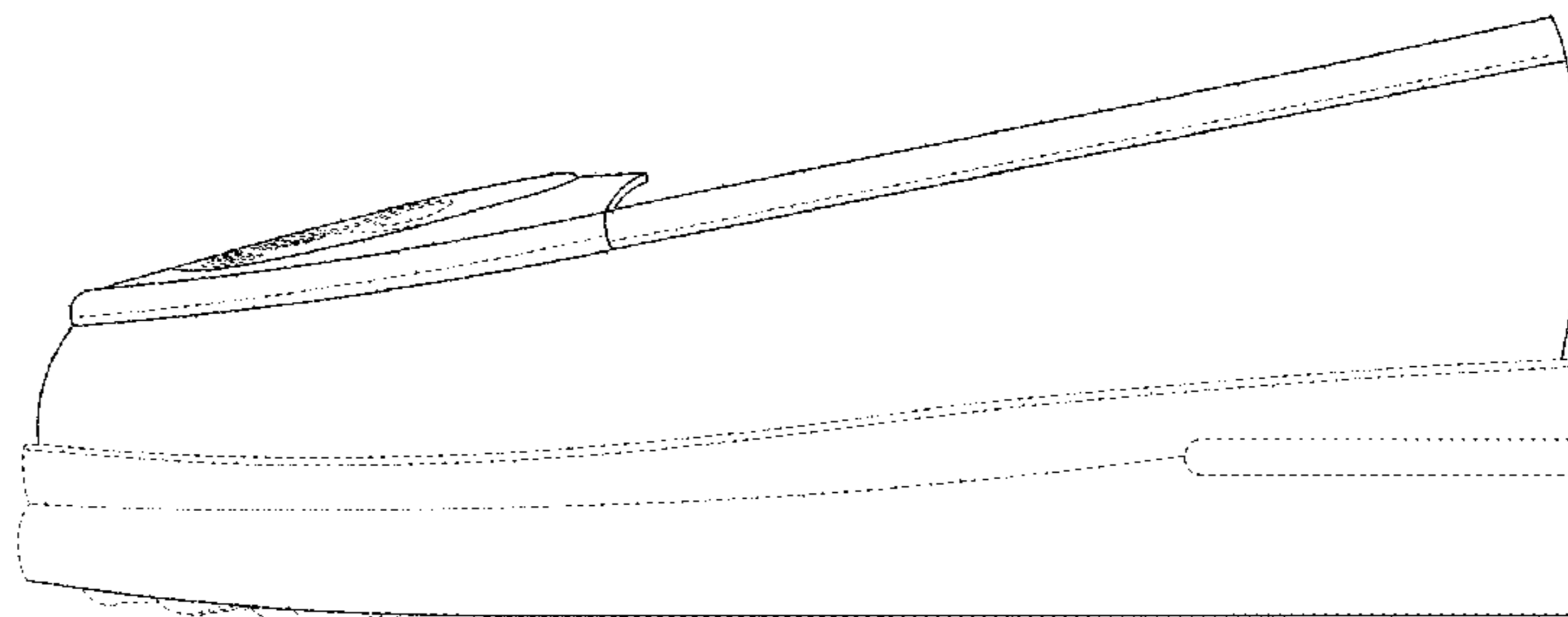
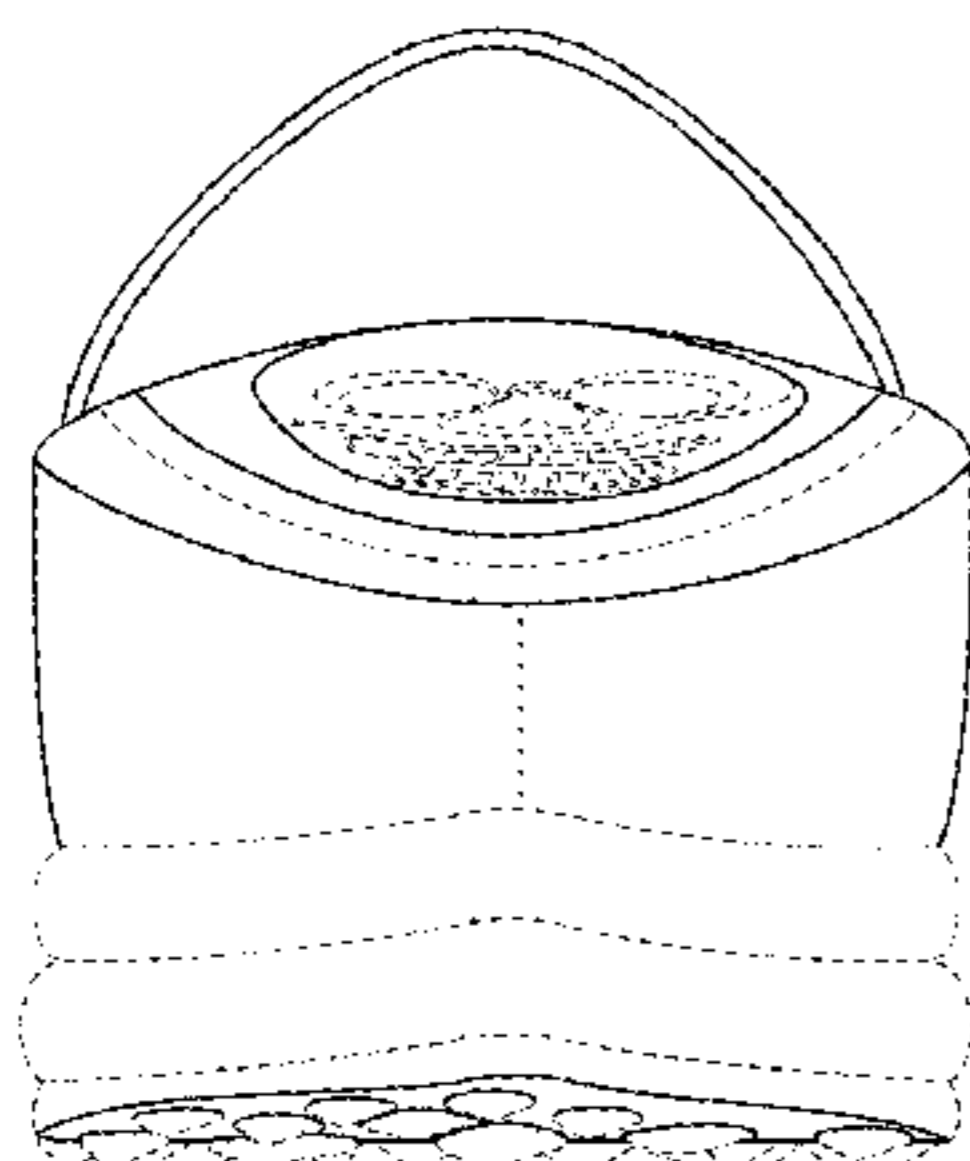
(57) **CLAIM**

The ornamental design for a shoe with a skull design, as shown and described.

**DESCRIPTION**

FIG. 1 is a top view of a shoe with skull motif, showing my new design;  
FIG. 2 is a front view thereof;  
FIG. 3 is a left side view thereof;  
FIG. 4 is a rear view thereof;  
FIG. 5 is a right side view thereof; and,  
FIG. 6 is a bottom view thereof.  
The broken lines in the drawings depict portions of the shoe with skull motif that form no part of the claimed design.

**1 Claim, 6 Drawing Sheets**



(56)

**References Cited**

U.S. PATENT DOCUMENTS

D653,842 S *	2/2012	Weiss .....	D2/946
D675,407 S *	2/2013	Klinge .....	D2/898
D697,291 S *	1/2014	Zaedow .....	D2/923
D710,575 S *	8/2014	Hardy .....	D2/896
D780,416 S *	3/2017	Huang .....	D2/948
D801,648 S *	11/2017	Shi .....	D2/923
D809,754 S *	2/2018	Kim .....	D2/923
2010/0186258 A1 *	7/2010	Garza .....	A43B 1/0081 36/101
2011/0271418 A1 *	11/2011	Crockett-Grabus .....	A43B 1/0081 2/69
2015/0128454 A1 *	5/2015	Sykes .....	A43B 23/24 36/136
2015/0366294 A1 *	12/2015	Riccardi .....	A43B 23/24 36/136

OTHER PUBLICATIONS

“Bachelorette Lifestyle.” Found online Jun. 19, 2018 at bachelorettelifestyle.wordpress.com. Page dated Oct. 3, 2012. Retrieved from URL: <https://bachelorettelifestyle.wordpress.com/2012/10/03/love-of-the-day-the-smoking-slipper/> (Year: 2012).\*

“Happyshop(TM) Leather Casual Slip-On Loafer.” Found online Jun. 18, 2018 at [www.amazon.com](http://www.amazon.com). Page date Nov. 7, 2013. Retrieved from URL: <https://tinyurl.com/yd58Iqoz> (Year: 2013).\*

“Alexander McQueen 2013 Skull Collection.” Found online Oct. 17, 2017 at [www.skullspiration.com](http://www.skullspiration.com). Page dated Mar. 19, 2013. Retrieved from URL: <http://www.skullspiration.com/alexander-mcqueen-2013-skull-collection/> (Year: 2013).\*

“Alexander McQueen Dark Green Patent Leather Slipper Loafers.” Found online Jun. 19, 2018 at [www.upscalehype.com](http://www.upscalehype.com). Page dated Nov. 22, 2012. Retrieved from URL: <http://www.upscalehype.com/2012/11/alexander-mcqueen-dark-green-patent-leather-slipper-loafers/> (Year: 2013).\*

\* cited by examiner

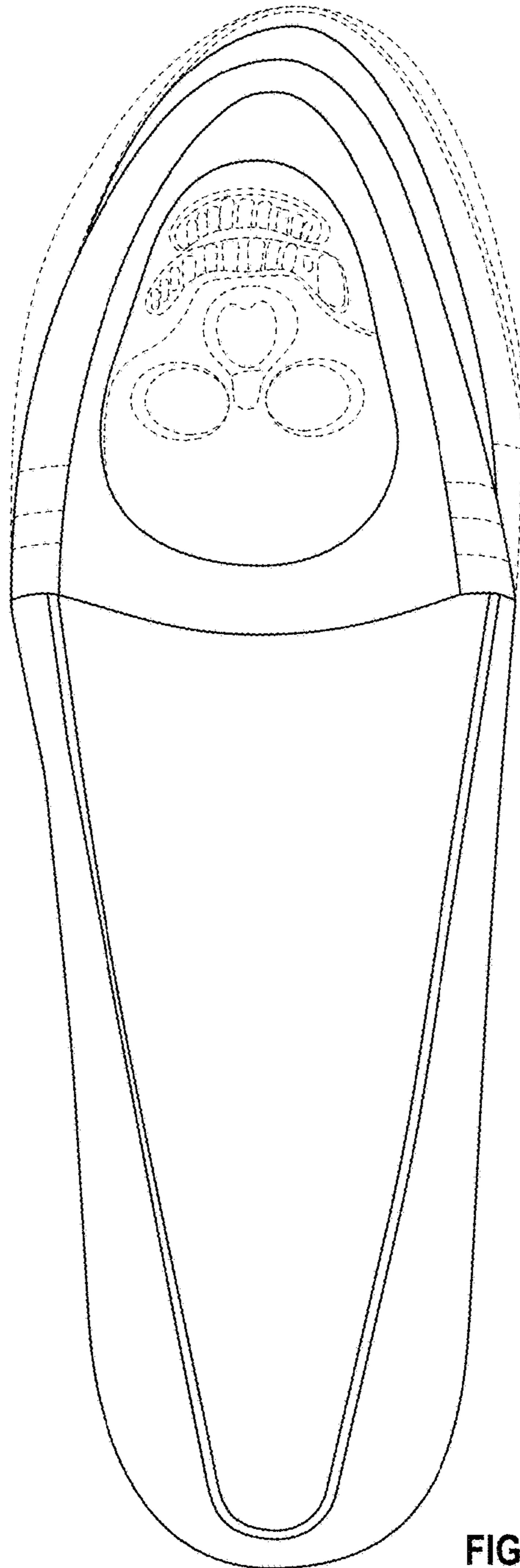


FIG. 1

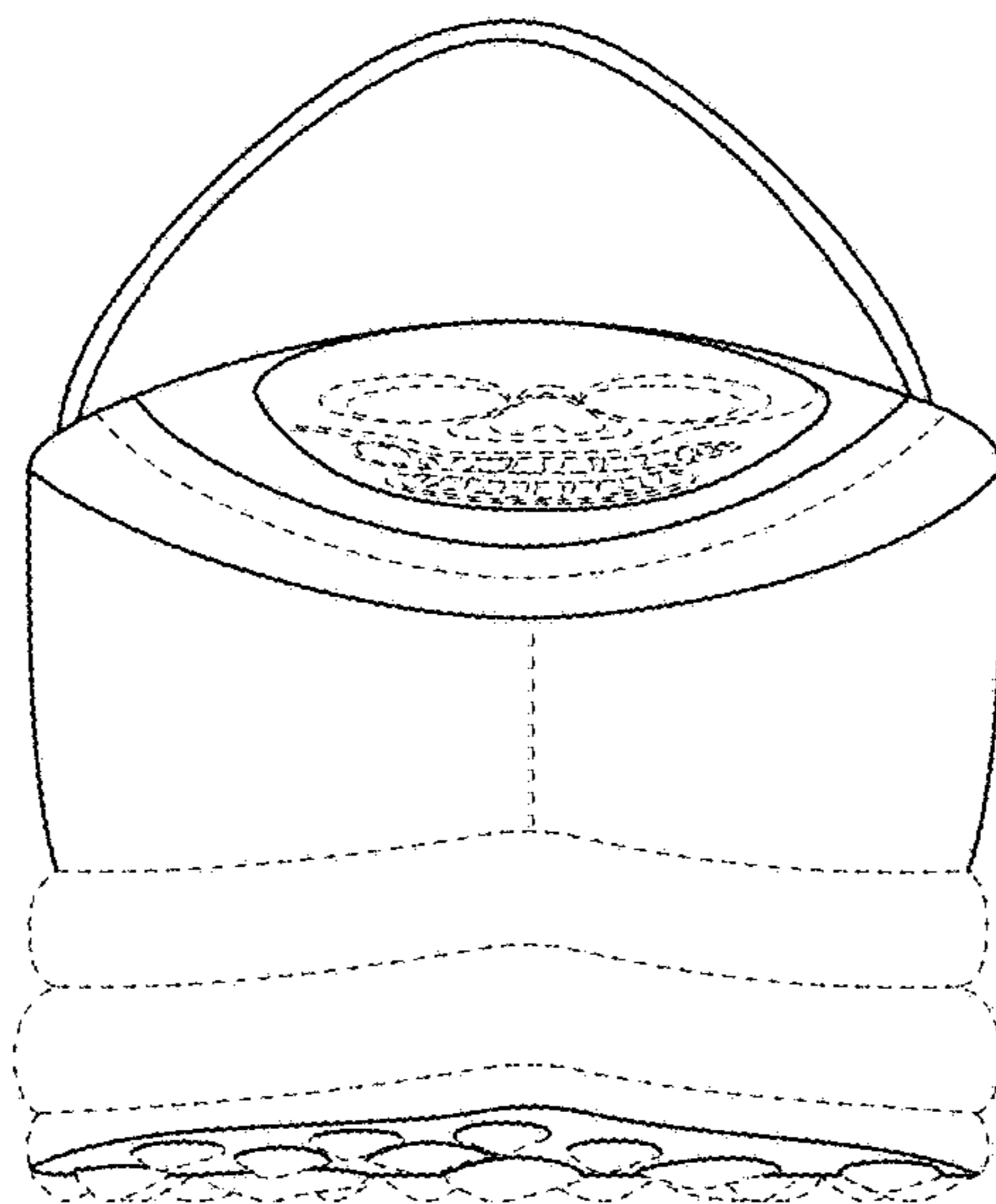


FIG. 2

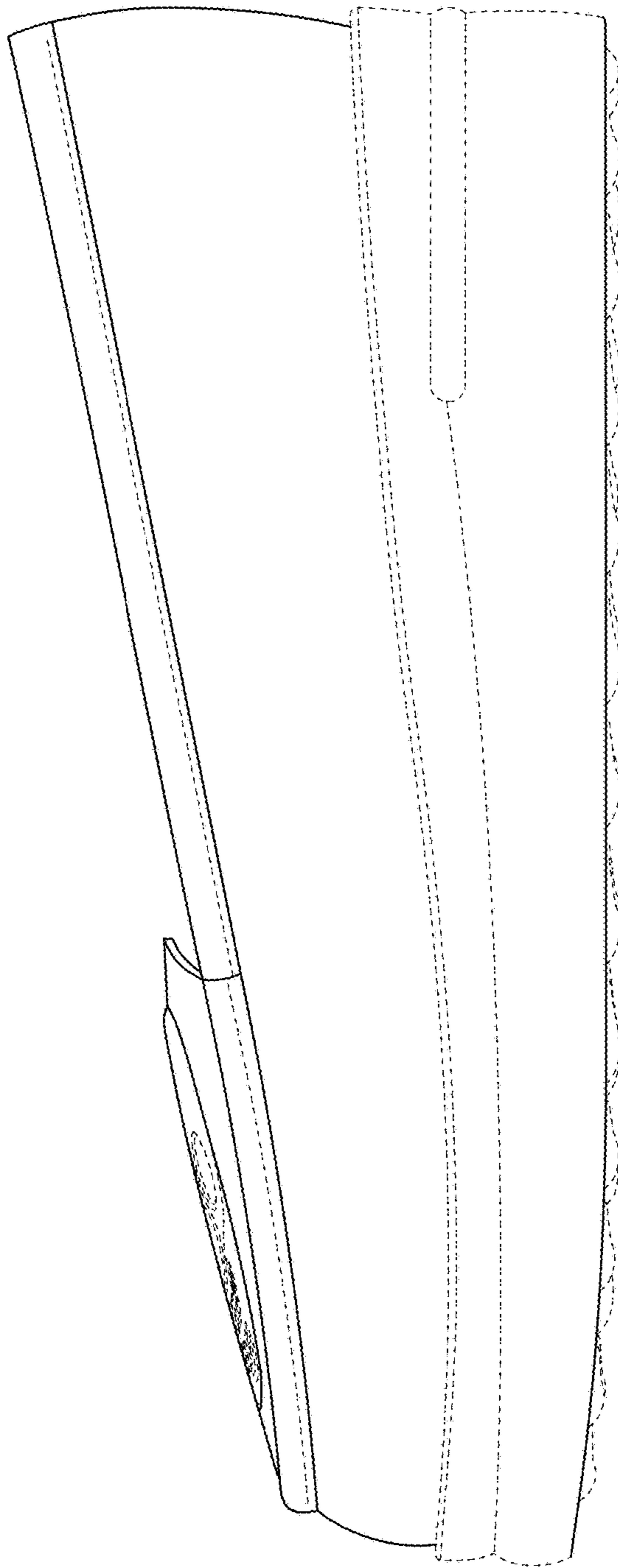


FIG. 3

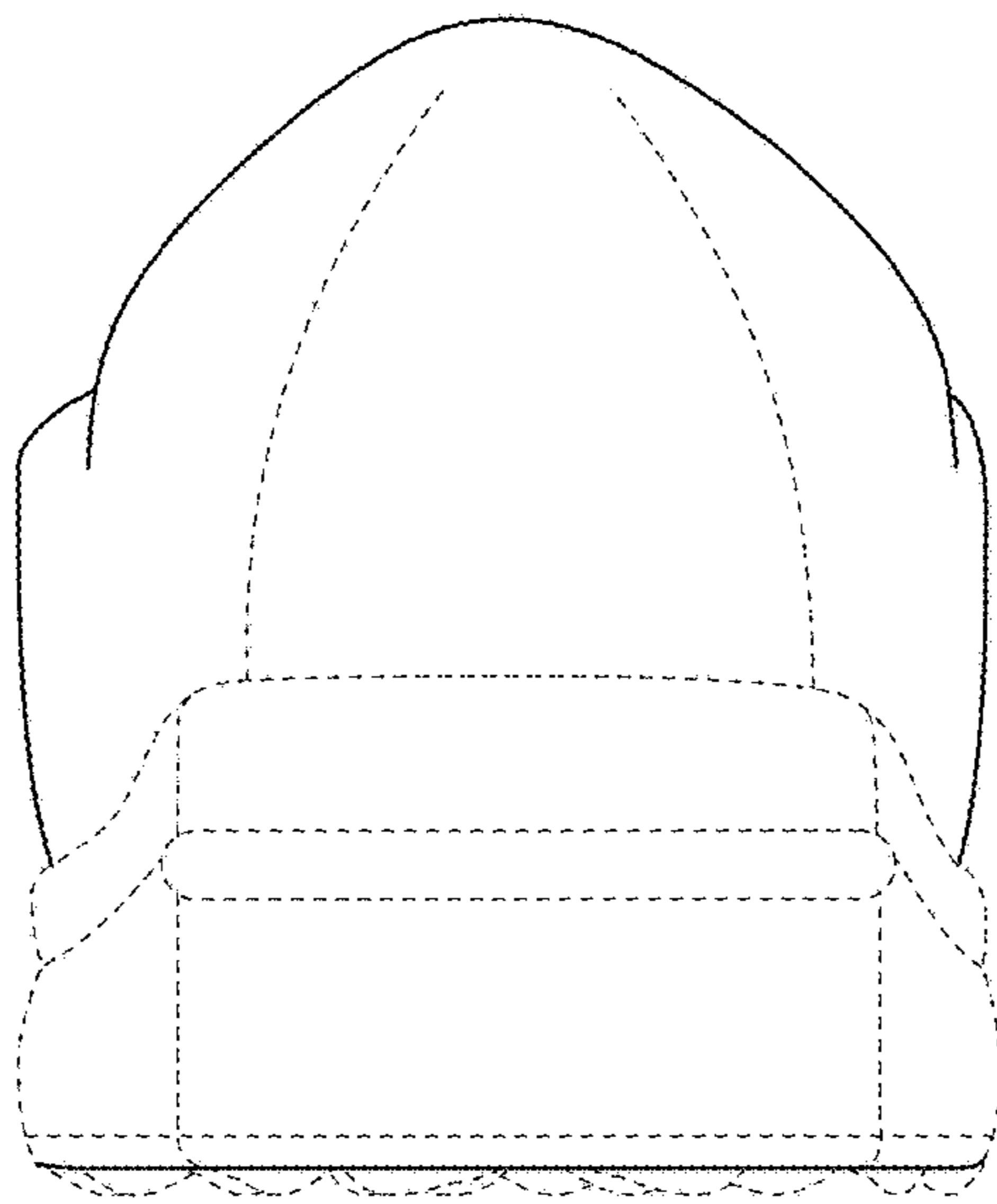


FIG. 4

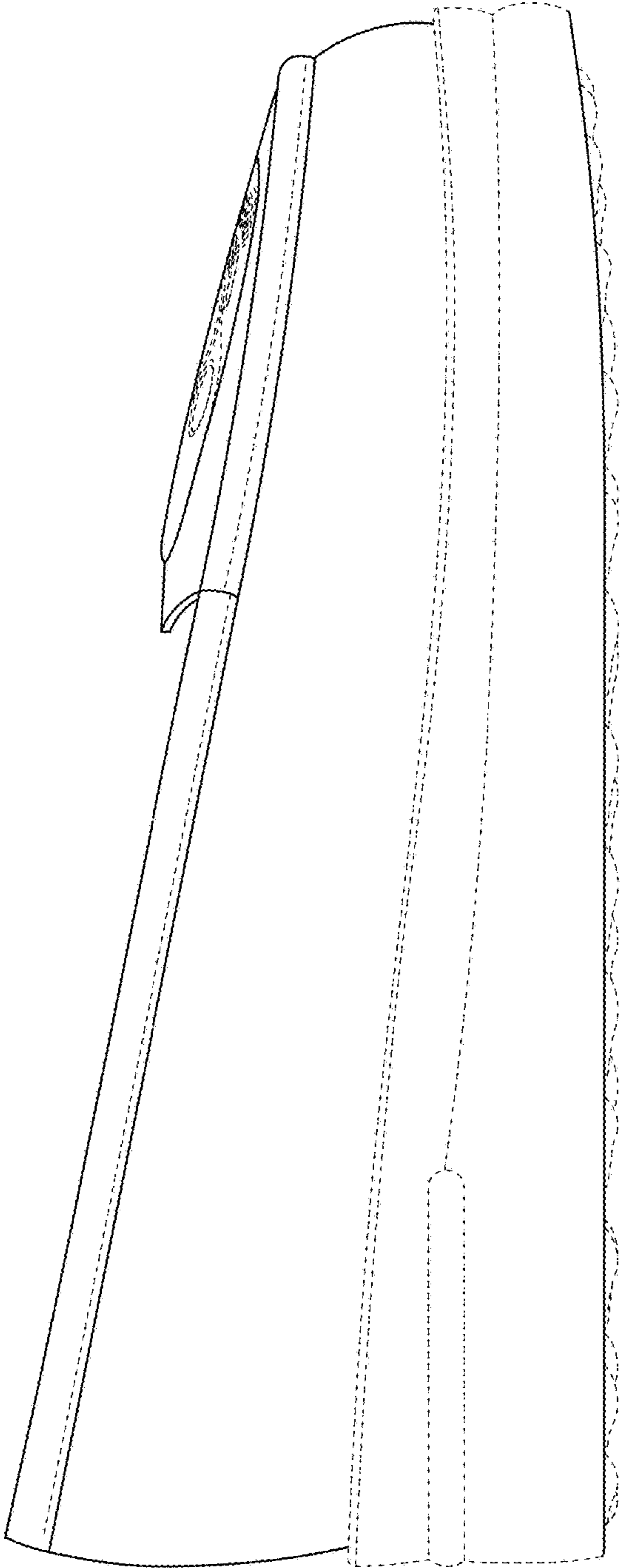


FIG. 5

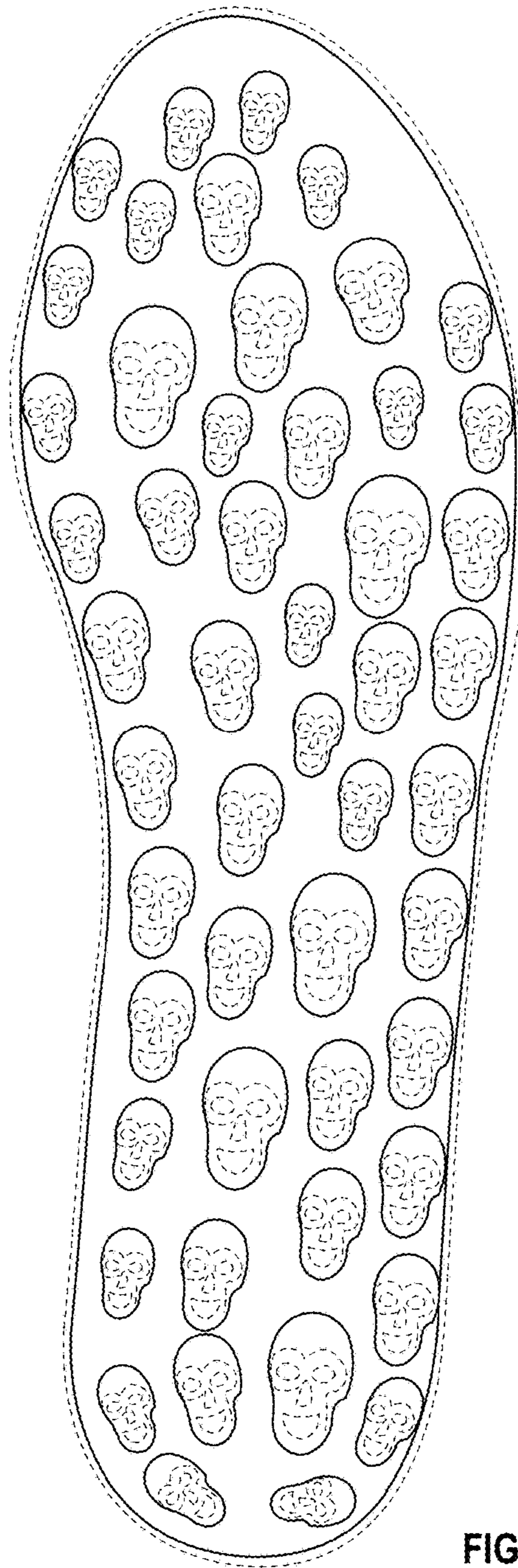


FIG. 6