



US00D841944S

(12) **United States Design Patent**
Lacy et al.

(10) **Patent No.:** **US D841,944 S**
(45) **Date of Patent:** **** Mar. 5, 2019**

(54) **WIDE-BRIMMED HAT**

- (71) Applicant: **SUNDAY AFTERNOONS, INC.**,
Talent, OR (US)
- (72) Inventors: **Robbin Lacy**, Talent, OR (US); **Acacia Lacy**, Ashland, OR (US); **Russell Hodgdon**, Talent, OR (US)
- (73) Assignee: **Sunday Afternoons, Inc.**, Talent, OR (US)
- (**) Term: **15 Years**
- (21) Appl. No.: **29/605,989**
- (22) Filed: **May 31, 2017**

Related U.S. Application Data

- (63) Continuation of application No. 29/543,851, filed on Oct. 28, 2015.
- (51) **LOC (11) Cl.** **02-03**
- (52) **U.S. Cl.**
USPC **D2/879**
- (58) **Field of Classification Search**
USPC D2/865, 866, 873, 874, 879, 880, 882, D2/883, 884, 885, 893, 895; D29/109
(Continued)

(56) **References Cited**

U.S. PATENT DOCUMENTS

5,657,490 A 8/1997 Edmark
 5,694,647 A * 12/1997 Crickmore A42B 1/067
 2/10

(Continued)

FOREIGN PATENT DOCUMENTS

EM 003090653-0001 A1 8/2016
 EM 003090653-0003 A1 8/2016

(Continued)

OTHER PUBLICATIONS

Ultra Adventure Hat, [on-line video]; [video published to the Internet by Sunday Afternoons on Mar. 15, 2016]; [retrieved from the Internet on Nov. 21, 2017]; URL: <https://www.youtube.com/watch?v=Mr4fX1XAuHk>. (4 pages). (Year: 2016).*

(Continued)

Primary Examiner — Thomas Johannes
Assistant Examiner — Jasmine Mlinarcik

(74) *Attorney, Agent, or Firm* — McCoy Russell LLP

(57) **CLAIM**

The ornamental design for a wide-brimmed hat, as shown and described.

DESCRIPTION

FIG. 1 is a front view of a design for a wide-brimmed hat. FIG. 2 is a left side view of the hat of FIG. 1, including a first rear side reflective crown panel represented by a repeating pattern of dots.

FIG. 3 is a right side view of the hat of FIG. 1, including a second rear side reflective crown panel.

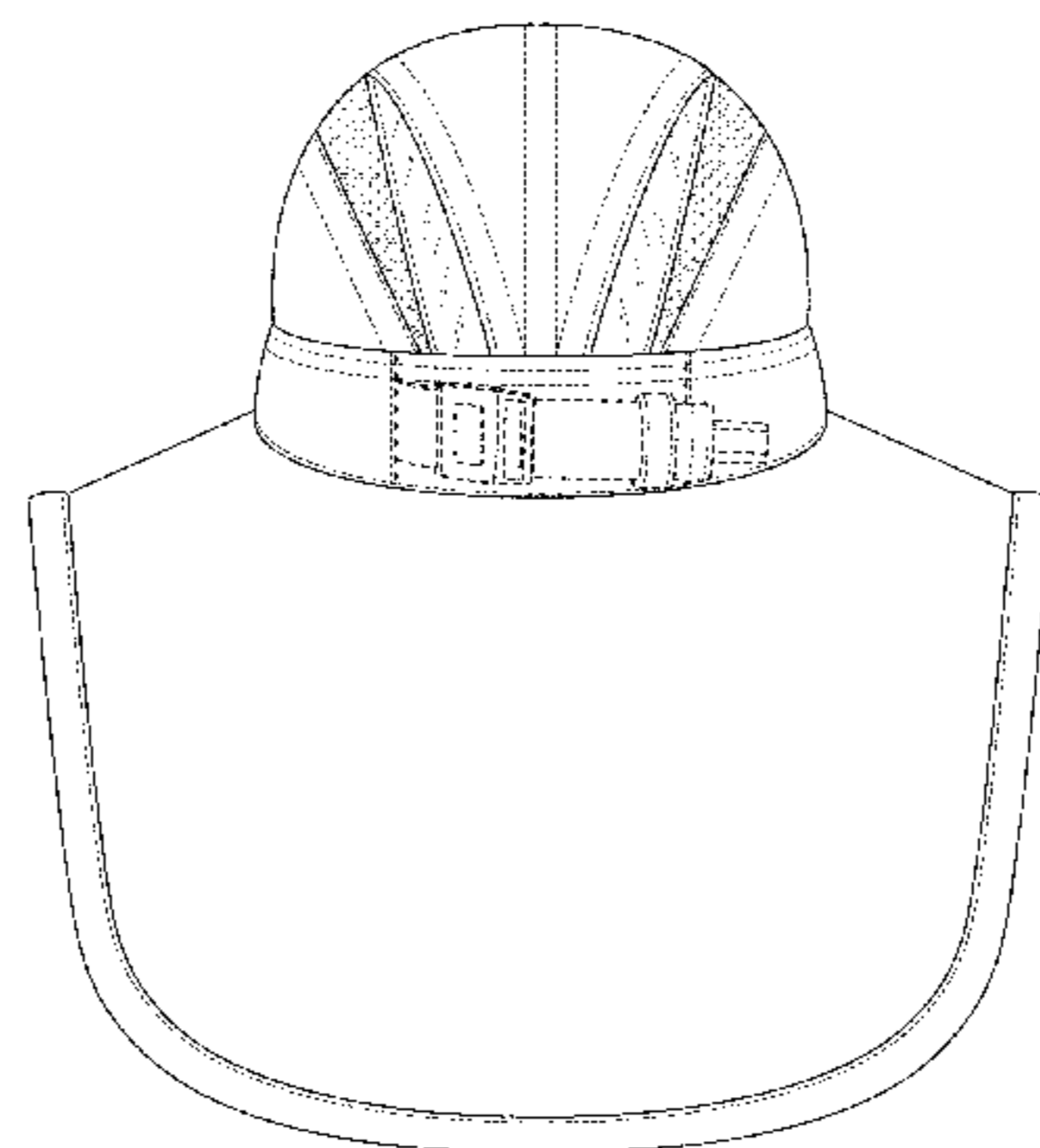
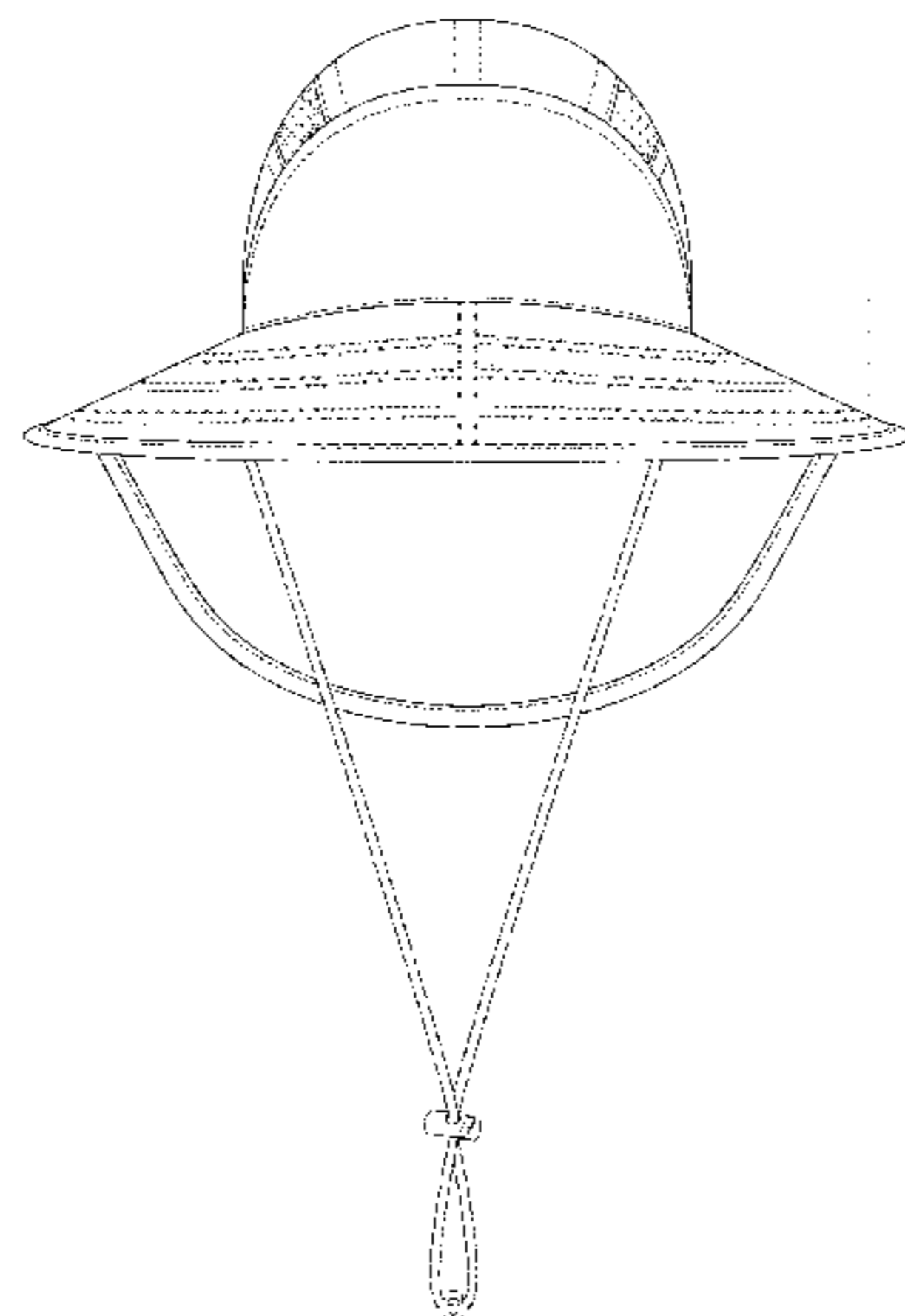
FIG. 4 is a back view of the hat of FIG. 1, including the two rear side reflective crown panels.

FIG. 5 is a top view of the hat of FIG. 1, including the two rear side reflective crown panels; and,

FIG. 6 is a bottom view of the hat of FIG. 1.

The solid lines in FIGS. 1-6 illustrate a hat according to the present invention. The longer, evenly incremented dashed lines and the shorter, evenly incremented dashed lines are for the purpose of illustrating environmental structure and/or environmental stitching only and form no part of the claimed design. In FIG. 6, the combined dash-and-dot style line with lowest line weight represents a boundary line that encircles an interior portion of the hat crown, following the innermost encircling perimeter edge of the hat crown. The appearance of the interior portion of the hat crown encircled by the boundary line, as viewed from the bottom view shown in FIG. 6, forms no part of the claimed design.

(Continued)



US D841,944 S

Page 2

As described above in the Description of the Drawings, rear side reflective crown panels are shown by oblique shading in FIGS. 2-5.

1 Claim, 6 Drawing Sheets

(58) Field of Classification Search

CPC .. A42B 1/00; A42B 1/008; A42B 1/06; A42B 1/061; A42B 1/062; A42B 1/066; A42B 1/067; A42B 1/20; A42B 1/201; A42B 1/205; A42B 1/22

See application file for complete search history.

(56) References Cited

U.S. PATENT DOCUMENTS

D390,340	S	2/1998	Najim	
D402,088	S *	12/1998	Edwards	D2/866
D429,406	S	8/2000	Thaw	
6,484,323	B1	11/2002	Pu	
D478,409	S	8/2003	Lesley	
D593,732	S	6/2009	Tilley et al.	
D594,185	S	6/2009	Lacy	
D599,533	S	9/2009	Yun	
D619,788	S	7/2010	Lacy	
D625,081	S *	10/2010	Oates	D2/879
7,971,278	B2 *	7/2011	Klamerus, Jr.	A42B 1/18 2/172
D681,926	S	5/2013	Votel et al.	
D696,462	S *	12/2013	Saavedra	D29/105

D714,528	S	10/2014	Bartelt	
D721,458	S *	1/2015	Votel	D29/122
D732,243	S	6/2015	Votel et al.	
D787,164	S *	5/2017	Arenson	D2/866
9,655,396	B1 *	5/2017	Lacy	A42B 1/206
2006/0168709	A1	8/2006	Rattay	

FOREIGN PATENT DOCUMENTS

EM	003090653-0004	A1	8/2016
EM	303090653-0002	A1	8/2016

OTHER PUBLICATIONS

Ultra Adventure Hat, [on-line]; [Wayback Machine crawl-back Internet date of Apr. 10, 2016]; [retrieved from the Internet on Nov. 21, 2017]; URL: <https://web.archive.org/web/20160410073022/https://www.sundayafternoons.com/p/ultra-adventure-hat/>. (5 pages). (Year: 2016).*

Phillips, M., "The Wrong Sun Hat Can Leave Heads Fit to Be Fried," PRWeb Press Release, Available Online at http://www.prweb.com/releases/sungrubbies_sunprotection/sun_protective_hats/prweb9721926.htm, Jul. 24, 2012, 4 pages.

"Dermsafe Hat," YouTube Website, Available Online at <https://www.youtube.com/watch?v=Y9mHFIdY1fE>, Feb. 3, 2016, 8 pages.

"Sundancer Hat," YouTube Website, Available Online at <https://www.youtube.com/watch?v=fwGYq7B9Ue4>, Feb. 9, 2016, 6 pages.

"Wahoo Cap—Sunday Afternoons," Sunday Afternoons Website, Available Online at <https://www.sundayafternoons.com/p/wahoo-cap/>, Available as Early as Feb. 16, 2017, 4 pages.

* cited by examiner

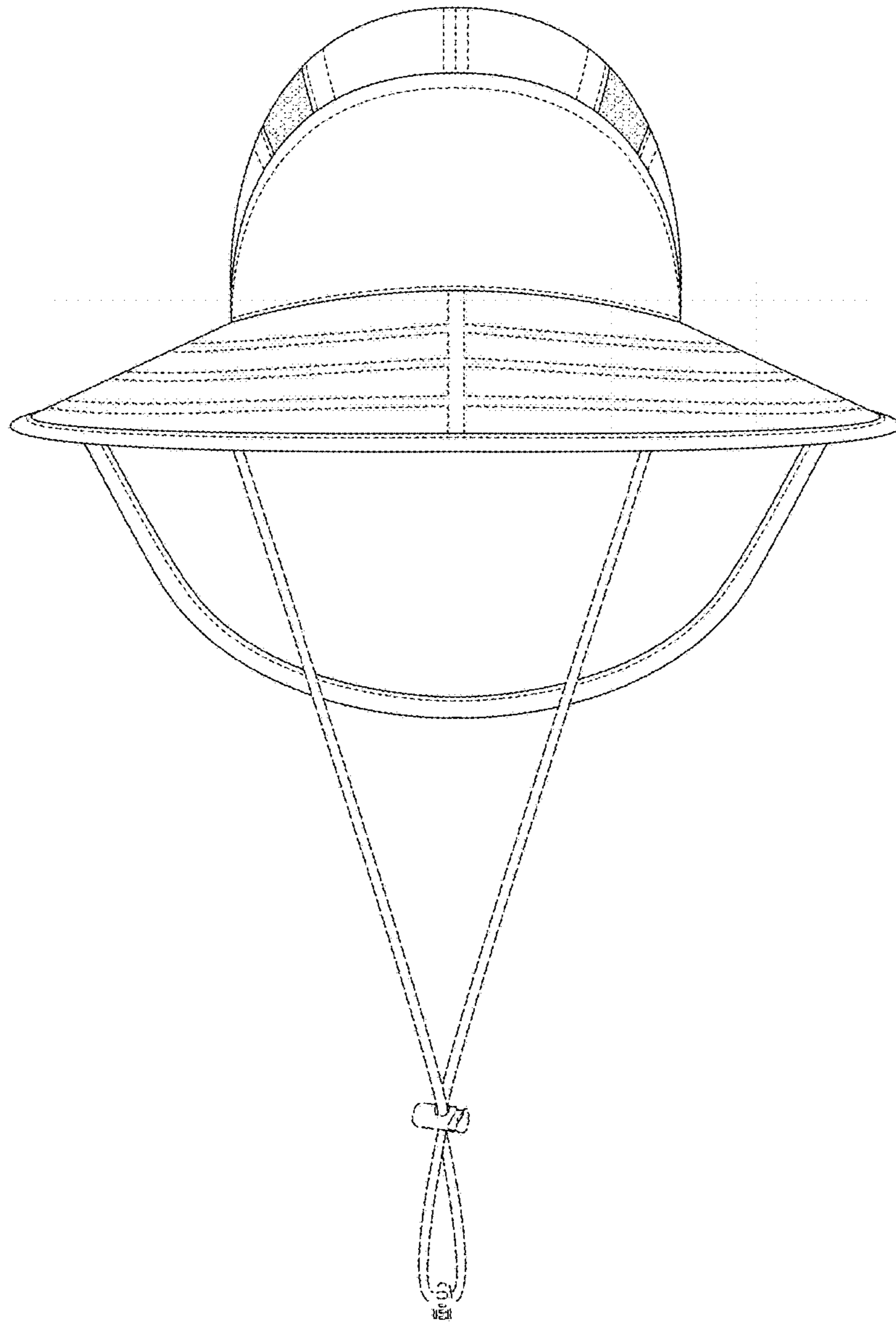


FIG. 1

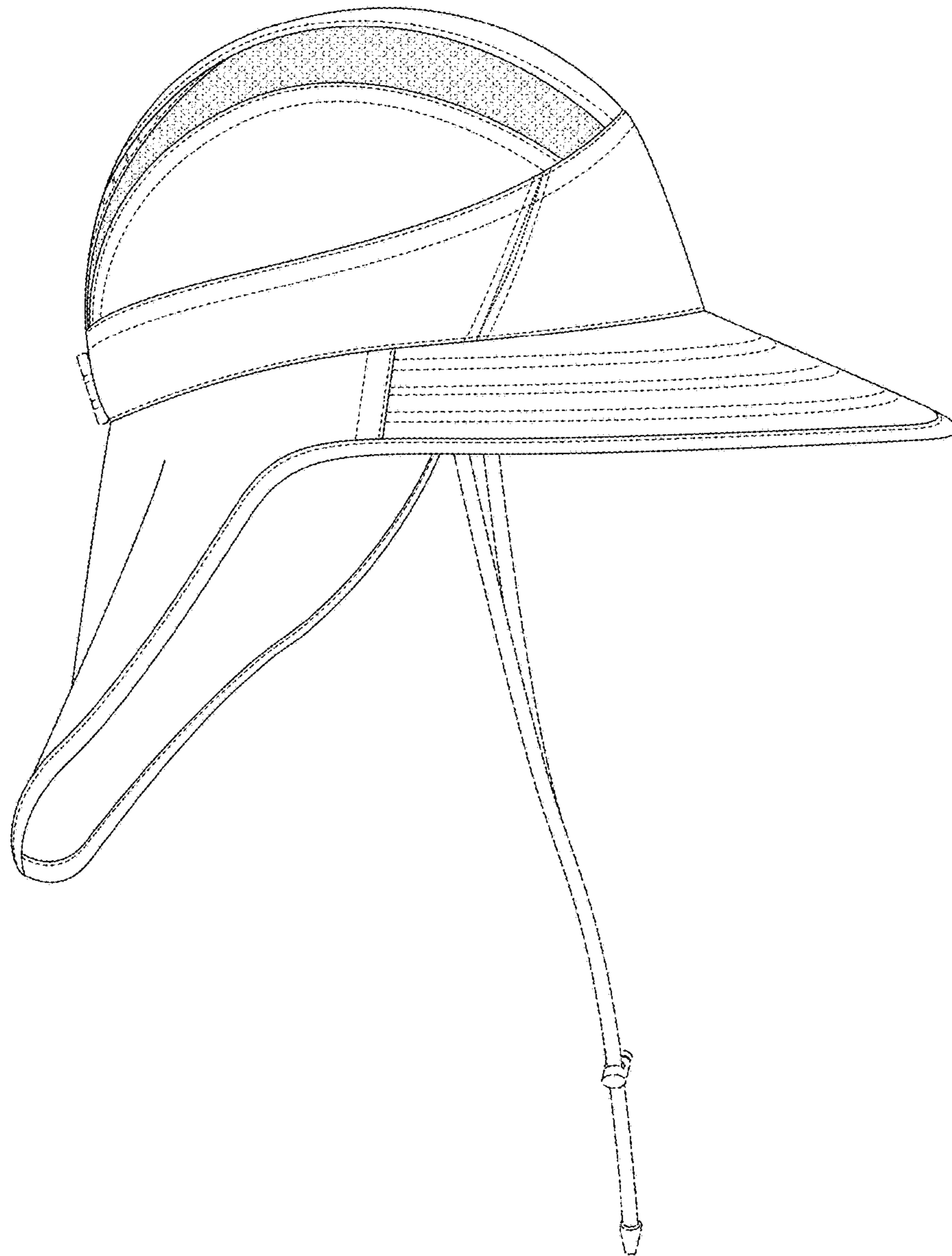


FIG. 2

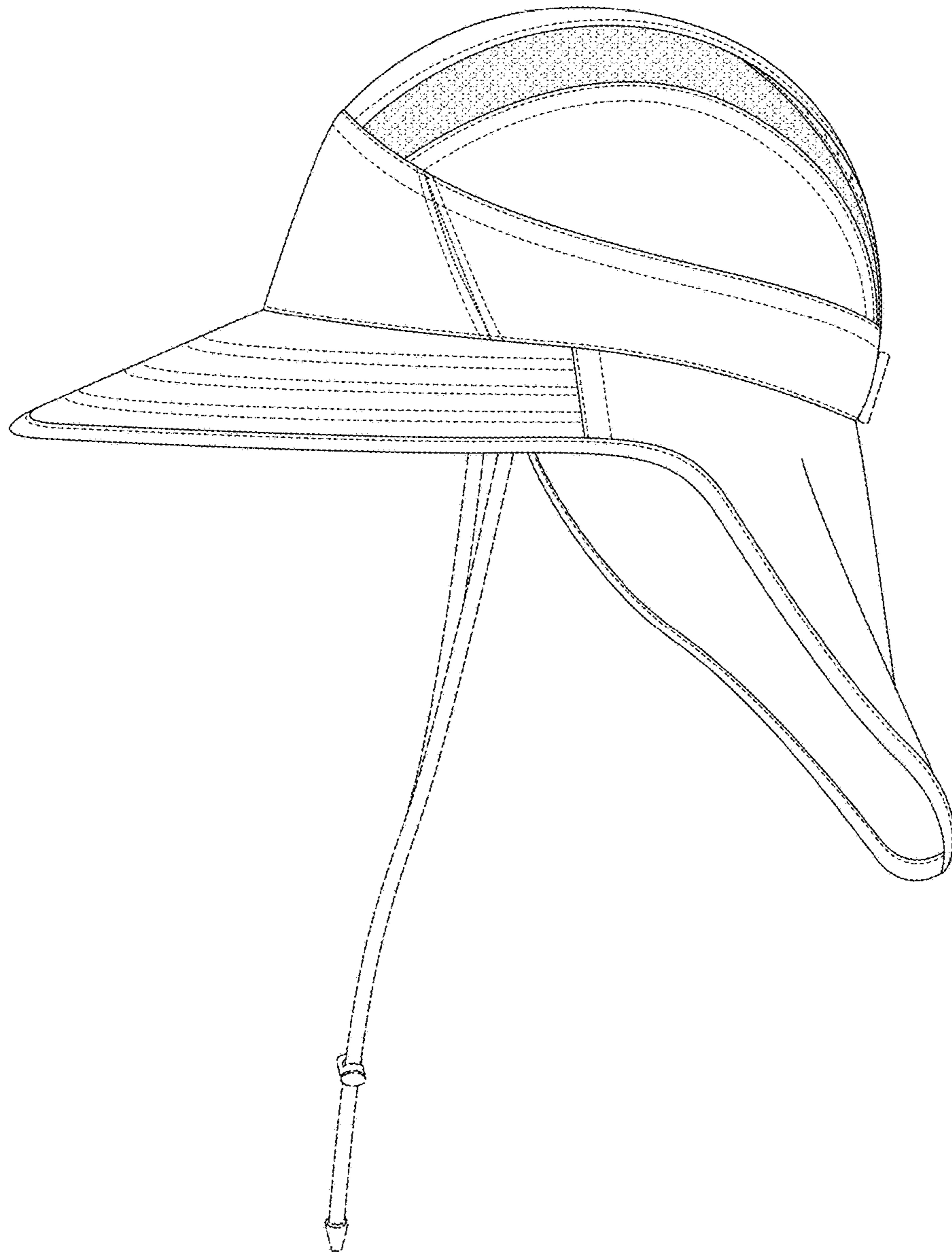


FIG. 3

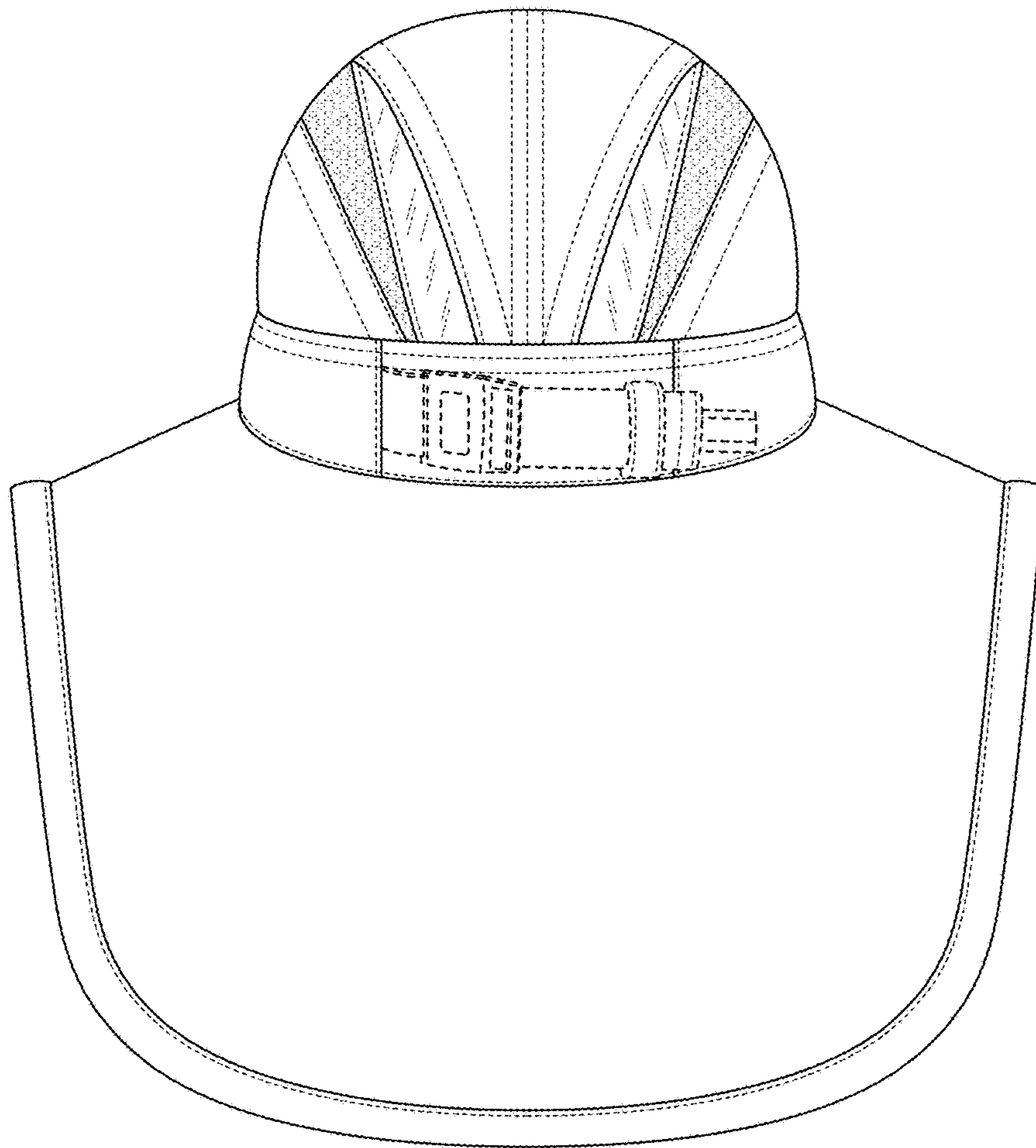


FIG. 4

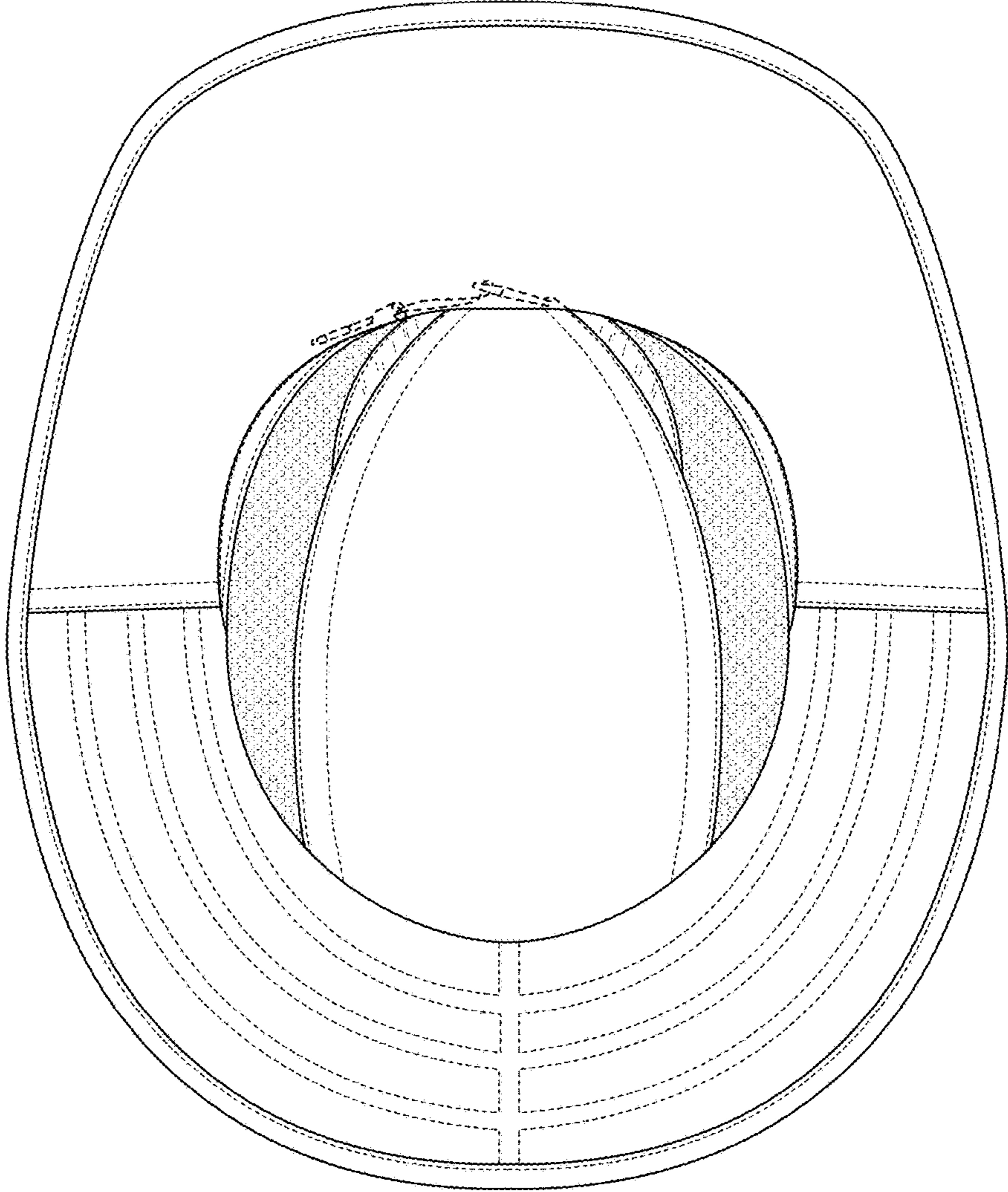


FIG. 5

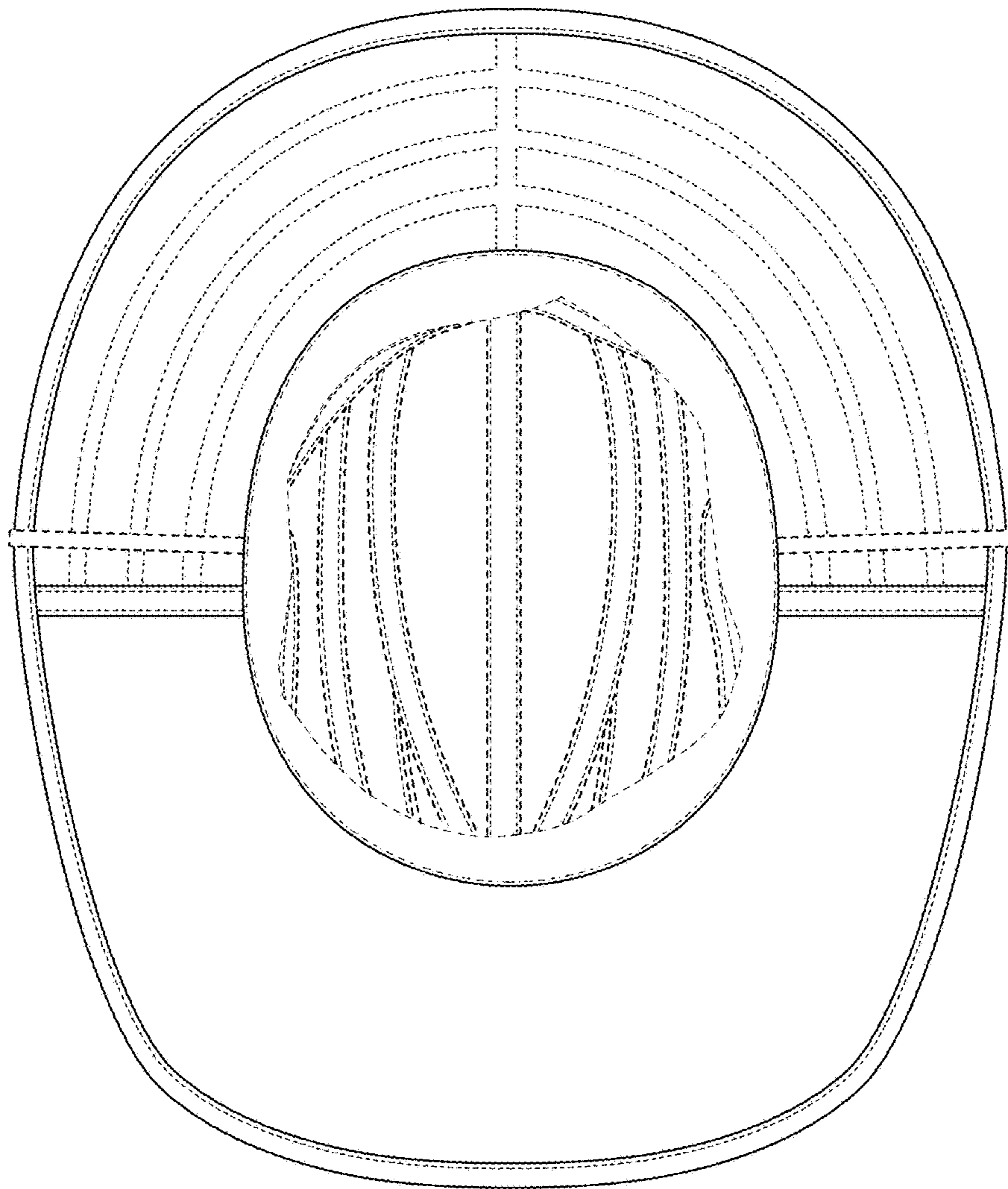


FIG. 6