



US00D841935S

(12) **United States Design Patent** (10) **Patent No.:** **US D841,935 S**
Dennard (45) **Date of Patent:** **** Mar. 5, 2019**

(54) **BELT**

(71) Applicant: **Nicole Black Dennard**, Watkinsville, GA (US)

(72) Inventor: **Nicole Black Dennard**, Watkinsville, GA (US)

(**) Term: **15 Years**

(21) Appl. No.: **29/554,805**

(22) Filed: **Feb. 16, 2016**

(51) **LOC (11) Cl.** **02-07**

(52) **U.S. Cl.**
USPC **D2/627**

(58) **Field of Classification Search**
USPC D2/624-629, 631, 633, 634, 636-640, D2/859; D3/215, 222, 224; D8/44, 383; D11/200, 210, 217, 218, 233
CPC . A41D 27/08; A41F 11/16; A41F 3/02; A41F 9/002; A44B 11/005; A45F 2003/006; A45F 2200/05; A45F 3/005; B60R 2022/006; F41B 13/00
See application file for complete search history.

(56) **References Cited**

U.S. PATENT DOCUMENTS

- 178,611 A * 6/1876 Dye A61N 1/0492
607/149
- 306,726 A * 10/1884 Eberhard B68B 1/04
54/12
- 771,701 A * 10/1904 Boran A41F 9/002
2/320
- 837,399 A * 12/1906 Gooding A41F 9/002
2/236
- 1,060,229 A * 4/1913 Casper A44B 11/001
2/300
- 1,667,696 A * 4/1928 Ballou A41F 9/002
2/338
- 2,205,711 A * 6/1940 Banks A01K 27/007
119/654
- D238,315 S * 1/1976 Terwilleger D2/636

(Continued)

OTHER PUBLICATIONS

Genuine Leather Office Dress Belt with Gold Indian Head Coin.
<<http://www.beltmaster.com/genuine-leather-belt-with-good-indian-coin-conchos-3334.html>>. Accessed on Jul. 17, 2017.*

(Continued)

Primary Examiner — Kevin K Rudzinski

Assistant Examiner — Clare Ann Gannon

(74) *Attorney, Agent, or Firm* — Smith Tempel Blaha LLC; Gregory Scott Smith

(57) **CLAIM**

The ornamental design for a belt, as shown and described.

DESCRIPTION

FIG. 1 is a perspective view of a belt, showing the new design.

FIG. 2 is a top plan view thereof.

FIG. 3 is a bottom plan view thereof.

FIG. 4 is a left side elevation view thereof.

FIG. 5 is a right side elevation view thereof.

FIG. 6 is a rear side elevation view thereof.

FIG. 7 is a front side elevation view thereof.

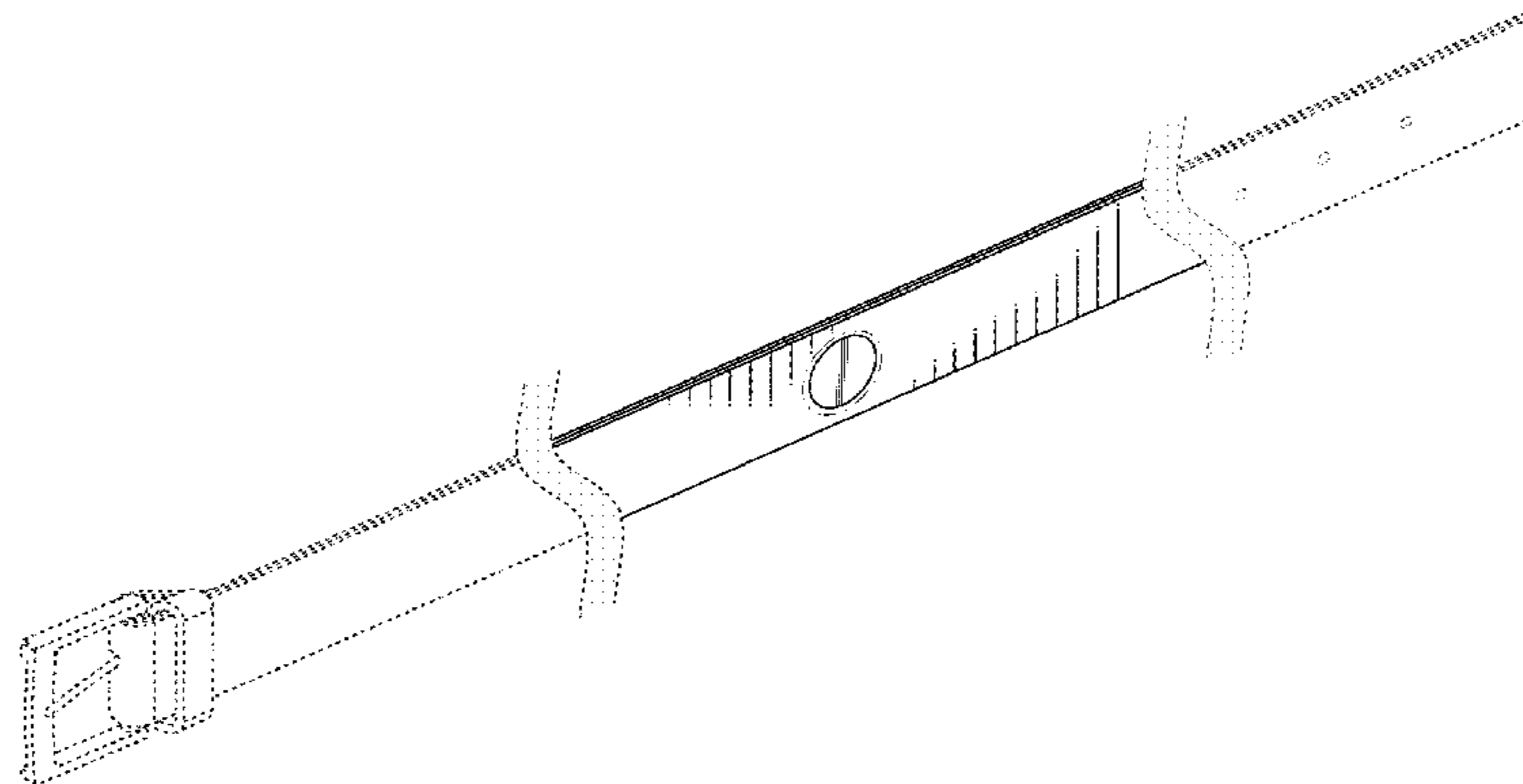
FIG. 8 is a perspective view thereof shown in alternate configuration.

FIG. 9 is a cross-sectional elevation view taken at line 9-9 of FIG. 8; and,

FIG. 10 is a cross-sectional exploded elevation view taken at line 9-9 of FIG. 8.

The dashed broken lines surrounding the outer ring of the circle in FIGS. 1, 2 and 8 illustrates stitching and is part of the claimed design. The wavy, parallel dashed broken lines depict break lines. All other broken lines depict portions of the article that form no part of the claimed design.

1 Claim, 3 Drawing Sheets



(56)

References Cited

U.S. PATENT DOCUMENTS

4,151,936 A * 5/1979 Hawkes A41F 9/002
224/676
D260,620 S * 9/1981 Blum D11/3
D274,557 S * 7/1984 Griffith, III D2/627
4,636,047 A * 1/1987 Green A45D 42/06
248/467
4,972,557 A * 11/1990 Williams A44B 11/005
224/163
5,054,433 A * 10/1991 Pflieger A01K 27/005
119/654
D336,692 S * 6/1993 Steiner D30/152
5,630,382 A * 5/1997 Barbera A01K 27/006
119/859
5,782,743 A * 7/1998 Russell A61N 2/06
600/15
D403,841 S * 1/1999 Drone D2/894
D405,534 S * 2/1999 Hall D24/190
D417,040 S * 11/1999 Weick D30/152
D423,390 S * 4/2000 Kontos D10/111
6,142,348 A * 11/2000 Park A44B 11/001
224/163
6,170,088 B1 * 1/2001 Tate A01K 97/06
2/209.13
6,406,418 B1 * 6/2002 Getek A61N 2/06
600/15
D470,429 S * 2/2003 Bonnet D11/3
6,513,165 B1 * 2/2003 England A63B 71/146
2/161.2
D498,336 S * 11/2004 Hong A61N 2/06
D30/152
6,966,851 B1 * 11/2005 England A42B 1/24
473/406
D533,774 S * 12/2006 Harper D9/434
D536,858 S * 2/2007 Wall D2/627

D544,677 S * 6/2007 Wuolu, Jr. A01K 27/005
D2/627
D571,982 S * 7/2008 Kirby D2/882
D616,615 S * 5/2010 Alvarenga D30/152
D618,128 S * 6/2010 Clark D11/3
D677,191 S * 3/2013 Benjamin A41F 9/002
D11/4
D681,867 S * 5/2013 Wegger D26/124
D723,246 S * 3/2015 Schultz D2/627
D726,993 S * 4/2015 Ermel A01K 27/007
D2/627
9,185,944 B2 * 11/2015 Zhen A42B 1/24
D753,997 S * 4/2016 Jones A61N 1/0492
D9/434
2001/0034894 A1 * 11/2001 Godfrey A42B 1/248
2/209.13
2013/0276269 A1 * 10/2013 Su A44B 11/001
24/303
2013/0291347 A1 * 11/2013 Su A44B 11/001
24/303

OTHER PUBLICATIONS

Seitz, Dan “Improve Your Belt . . . With Magnets!”. Gadget Review. Aug. 11, 2015. <<http://www.gadgetreview.com/improve-belt-magnets>>. Accessed on Jul. 26, 2018.*
“Leather belt with coin” google image search showing results from prior to Feb. 15, 2016. <<http://www.google.com>>. Accessed on Jul. 18, 2018.*
“Strong Leather Flip Up Note Pad Cover with Challenge Coin Cutout”. Officer Store. <<https://www.officerstore.com/store/product.aspx/productId/17548>>. Accessed on Jul. 13, 2017.*
@darbinorvar on Instagram: “New video on my YouTube channel—DIY Magnetic Leather Bracelet”. Instagram. Feb. 14, 2017.<<https://www.instagram.com/p/BQgAVRvACNT/>>. Accessed on Jul. 26, 2018.*

* cited by examiner

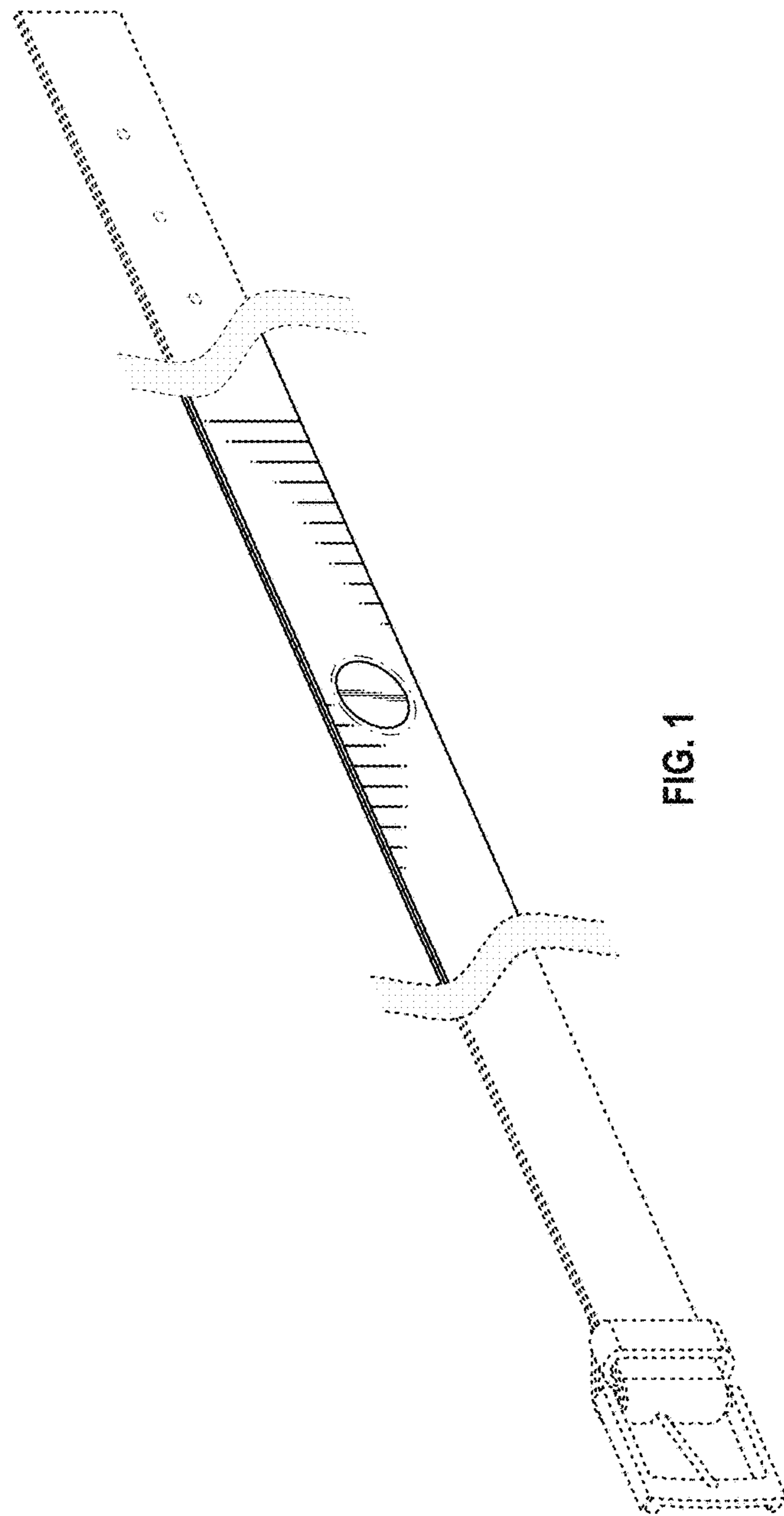


FIG. 1

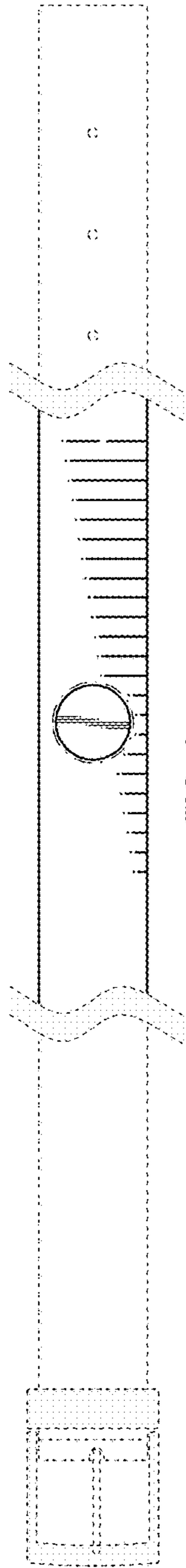


FIG. 2

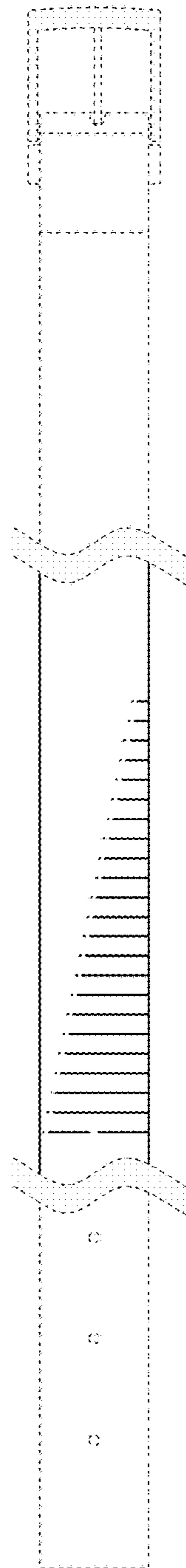


FIG. 3



FIG. 4

FIG. 5



FIG. 6

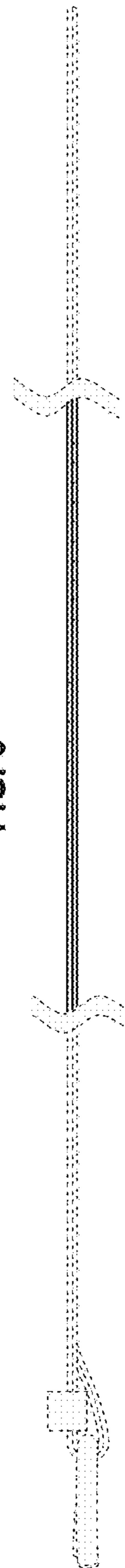


FIG. 7

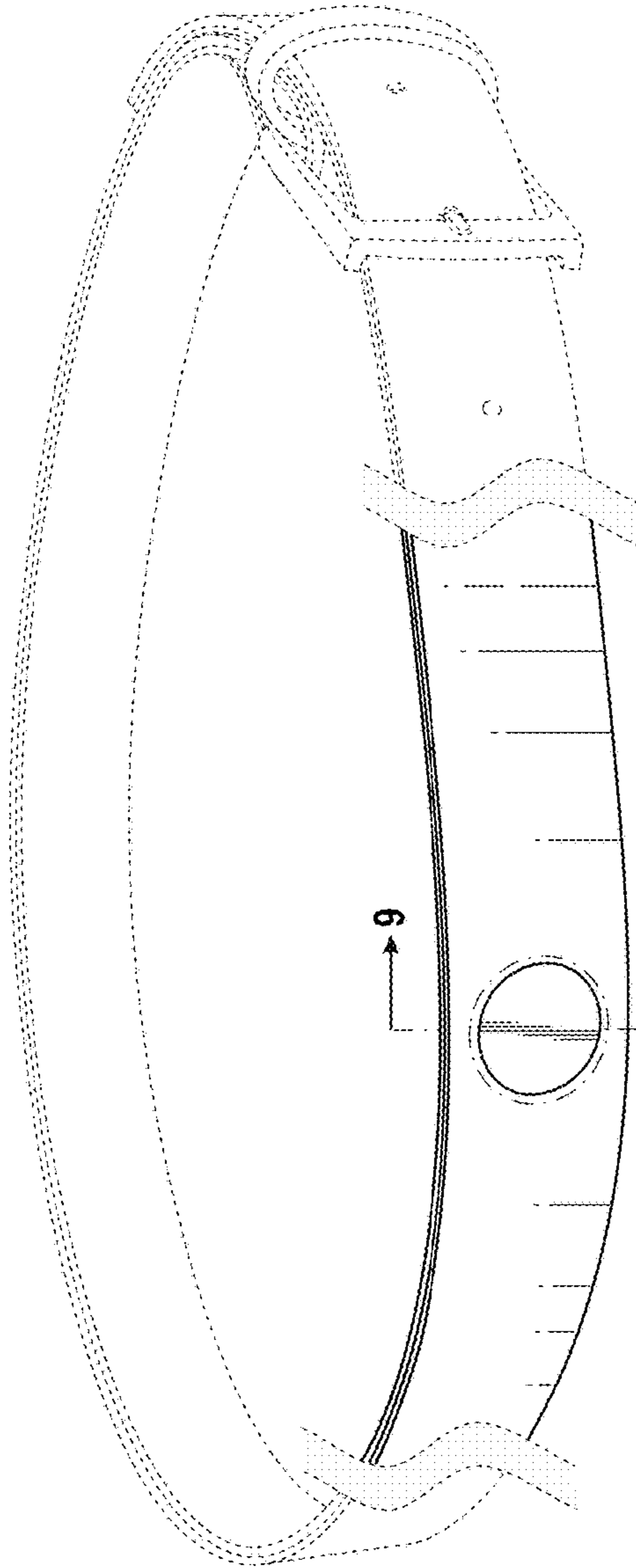


FIG. 8



FIG. 9

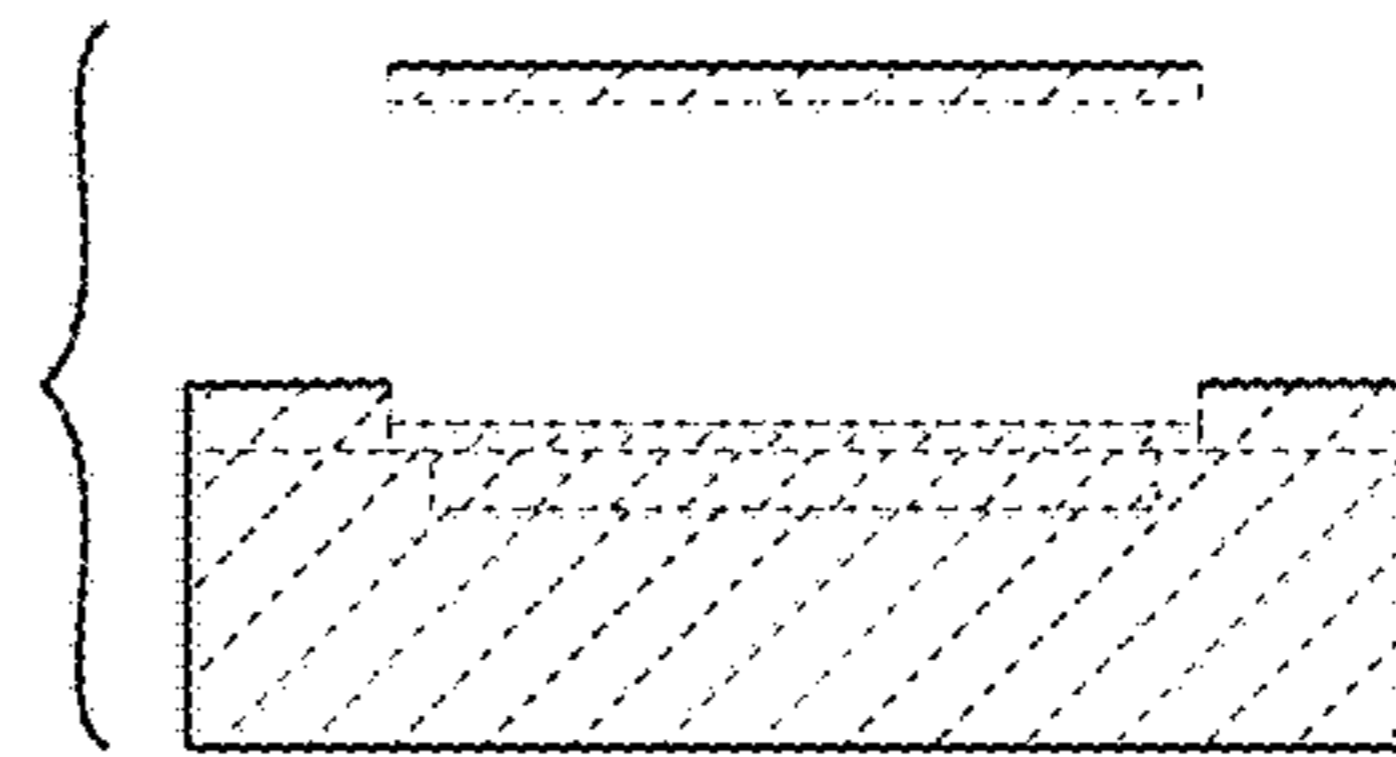


FIG. 10