



US00D841933S

(12) **United States Design Patent**  
**Erickson**

(10) **Patent No.:** **US D841,933 S**  
(45) **Date of Patent:** **\*\* Mar. 5, 2019**

(54) **PRE-TIED TIE KNOT**

(71) Applicant: **Louis Erickson**, Rush Valley, UT (US)

(72) Inventor: **Louis Erickson**, Rush Valley, UT (US)

(\*\*) Term: **15 Years**

(21) Appl. No.: **29/584,080**

(22) Filed: **Nov. 11, 2016**

(51) **LOC (11) Cl.** ..... **02-05**

(52) **U.S. Cl.**

USPC ..... **D2/609**

(58) **Field of Classification Search**

USPC ..... D2/500, 600, 601, 602, 603, 604, 605,  
D2/606, 607, 608, 609; D11/184  
CPC .... A41D 25/00; A41D 25/001; A41D 25/003;  
A41D 25/005; A41D 25/006; A41D  
25/008; A41D 25/02; A41D 25/022;  
A41D 25/025; A41D 25/027; A41D  
25/04; A41D 25/06; A41D 25/08; A41D  
25/10; A41D 25/12; A44B 6/00

See application file for complete search history.

(56) **References Cited**

**U.S. PATENT DOCUMENTS**

3,999,222	A *	12/1976	Walborn	.....	A41D 25/022	2/150
D352,376	S *	11/1994	Moore	.....	D2/605	
6,076,188	A *	6/2000	Dresen	.....	A41D 25/00	2/144
6,920,642	B2 *	7/2005	Dickens	.....	A41D 25/022	2/152.1
7,716,750	B2 *	5/2010	Sato	.....	A41D 25/003	2/152.1
D692,637	S *	11/2013	Glennie	.....	D2/608	

D737,020	S *	8/2015	Roeckelein	.....	D2/600	
2011/0302692	A1 *	12/2011	Hanspiker	.....	A44B 6/00	2/145
2015/0264989	A1 *	9/2015	Abraham	.....	A41D 25/02	2/149
2016/0235143	A1 *	8/2016	Kim	.....	A41D 25/02	
2016/0242477	A1 *	8/2016	Peterson	.....	A41D 25/04	
2017/0006944	A1 *	1/2017	Erickson	.....	A41D 25/10	
2017/0055611	A1 *	3/2017	Rakfeldt	.....	A41D 25/02	

**OTHER PUBLICATIONS**

30 Different Ways to Tie a Tie . . . [on-line]; [article publication date unknown]; [retrieved from the Internet on Oct. 4, 2017]; URL: <http://www.shirtsmyway.com/articles/different-ways-how-to-tie-a-tie-knots.php>. (21 pgs). (Year: 2017).\*

(Continued)

*Primary Examiner* — Thomas Johannes  
*Assistant Examiner* — Jasmine Mlinarcik

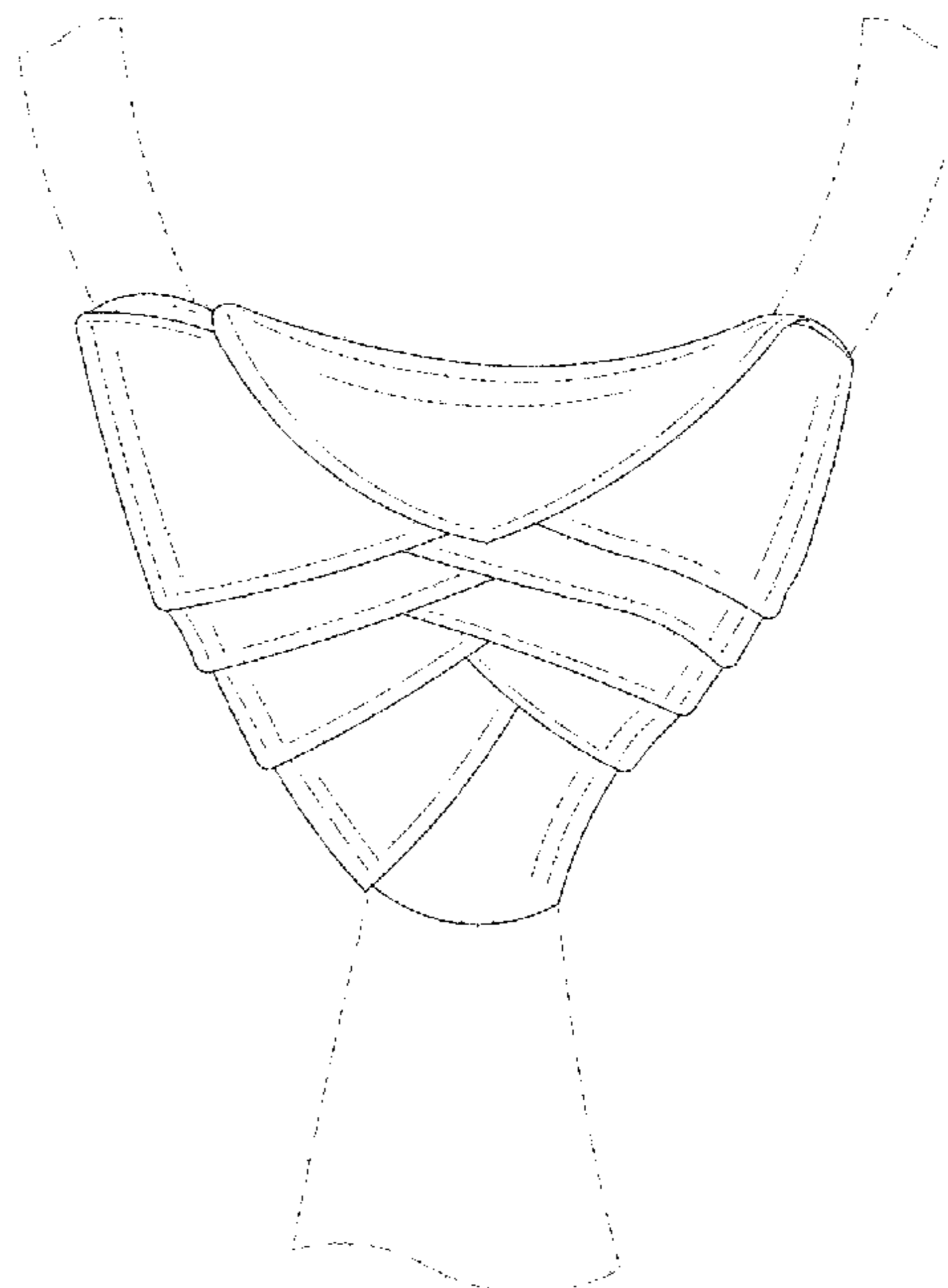
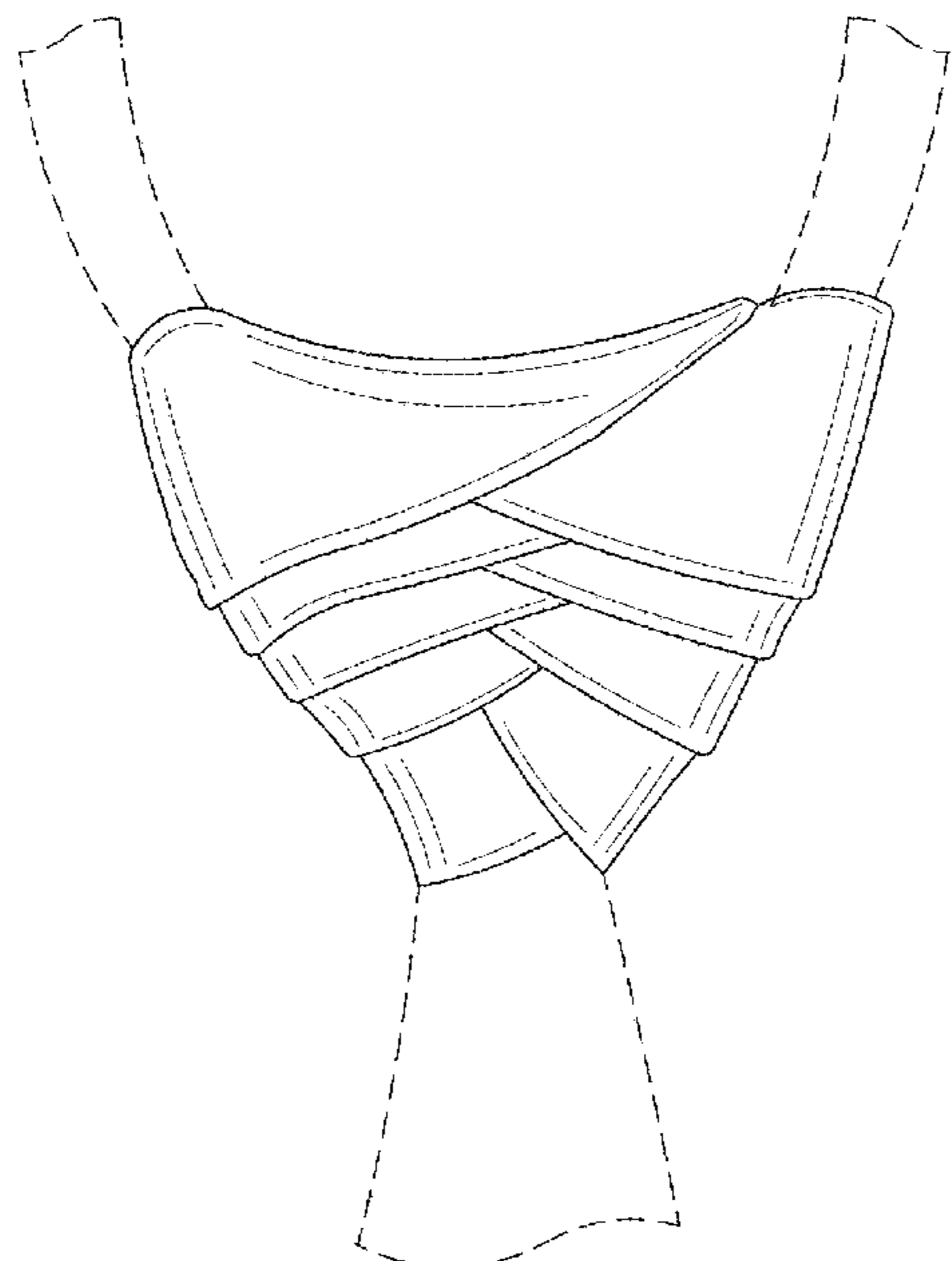
(57) **CLAIM**

The ornamental design for a pre-tied tie knot, as shown and described.

**DESCRIPTION**

FIG. 1 is a front elevation view of a pre-tied tie knot showing my new design;  
FIG. 2 is a rear elevation view of the pre-tied tie knot;  
FIG. 3 is a left side elevation view of the pre-tied tie knot;  
FIG. 4 is a right side elevation view of the pre-tied tie knot;  
FIG. 5 is a top plan view of the pre-tied tie knot; and,  
FIG. 6 is a bottom plan view of the pre-tied tie knot.  
The broken lines immediately adjacent to the edges of the claim represent boundaries of the claim and form no part of the claimed design. All other broken lines represent environmental structure that forms no part of the claimed design.

**1 Claim, 4 Drawing Sheets**



(56)

**References Cited**

## OTHER PUBLICATIONS

How to Tie a Tie: The Artichoke Knot, [on-line]; [published to the Internet on May 22, 2013]; [retrieved from the Internet on Oct. 5, 2017]; URL: <https://www.youtube.com/watch?v=z0AjSatT6II>. (1 pg). (Year: 2013).\*

How to tie the Boutonniere Knot for your Necktie, [on-line]; [published to the Internet on Nov. 16, 2013]; [retrieved from the Internet on Oct. 4, 2017]; URL: <https://www.youtube.com/watch?v=n8mGf5JN4Xc>. (1 pg). (Year: 2013).\*

How to Tie a Tie Double Eldredge Knot, [on-line]; [published to the Internet on Dec. 24, 2014]; [retrieved from the Internet on Oct. 4, 2017]; URL: <https://www.youtube.com/watch?v=jLYWJX4779A>. (1 pg). (Year: 2014).\*

Animated Eldredge Knot—How to Tie a Necktie—How to Tie a Tie, [on-line]; [published to the Internet on May 17, 2013]; [retrieved from the Internet on Oct. 4, 2017]; URL: <https://www.youtube.com/watch?v=FukqiewJuPw>. (1 pg). (Year: 2013).\*

Animated How to Tie a Necktie Fishbone Knot—How to Tie a Tie, [on-line]; [published to the Internet on Mar. 19, 2013]; [retrieved from the Internet on Oct. 4, 2017]; URL: <https://www.youtube.com/watch?v=8SocEpK0b4I>. (1 pg). (Year: 2013).\*

How to Tie a Necktie Novotny Knot—How to Tie a Tie, [on-line]; [published to the Internet on Jan. 25, 2013]; [retrieved from the Internet on Oct. 4, 2017]; URL: [https://www.youtube.com/watch?v=QVo5V3D\\_C6Y](https://www.youtube.com/watch?v=QVo5V3D_C6Y). (1 pg). (Year: 2013).\*

\* cited by examiner

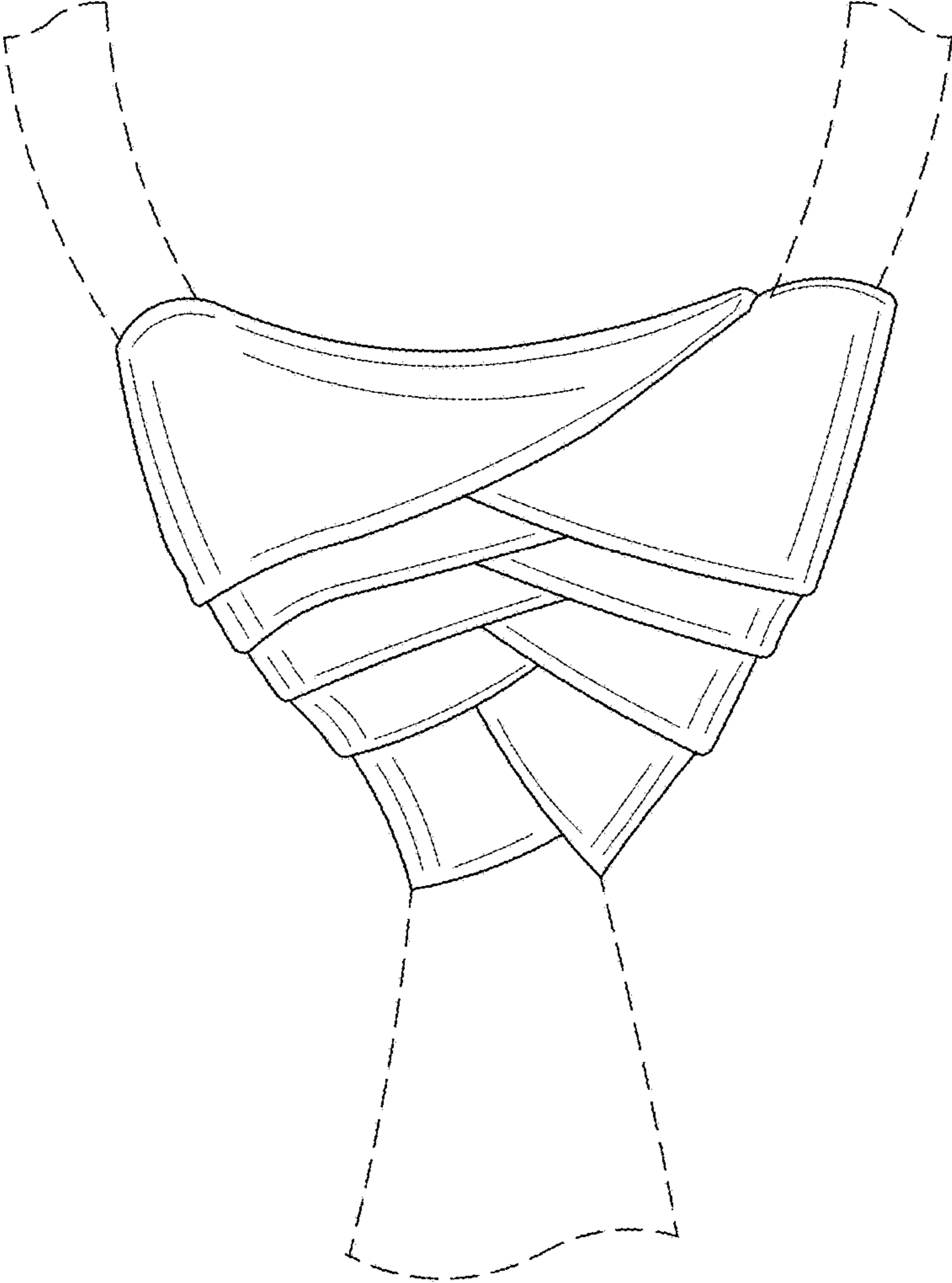


FIG. 1

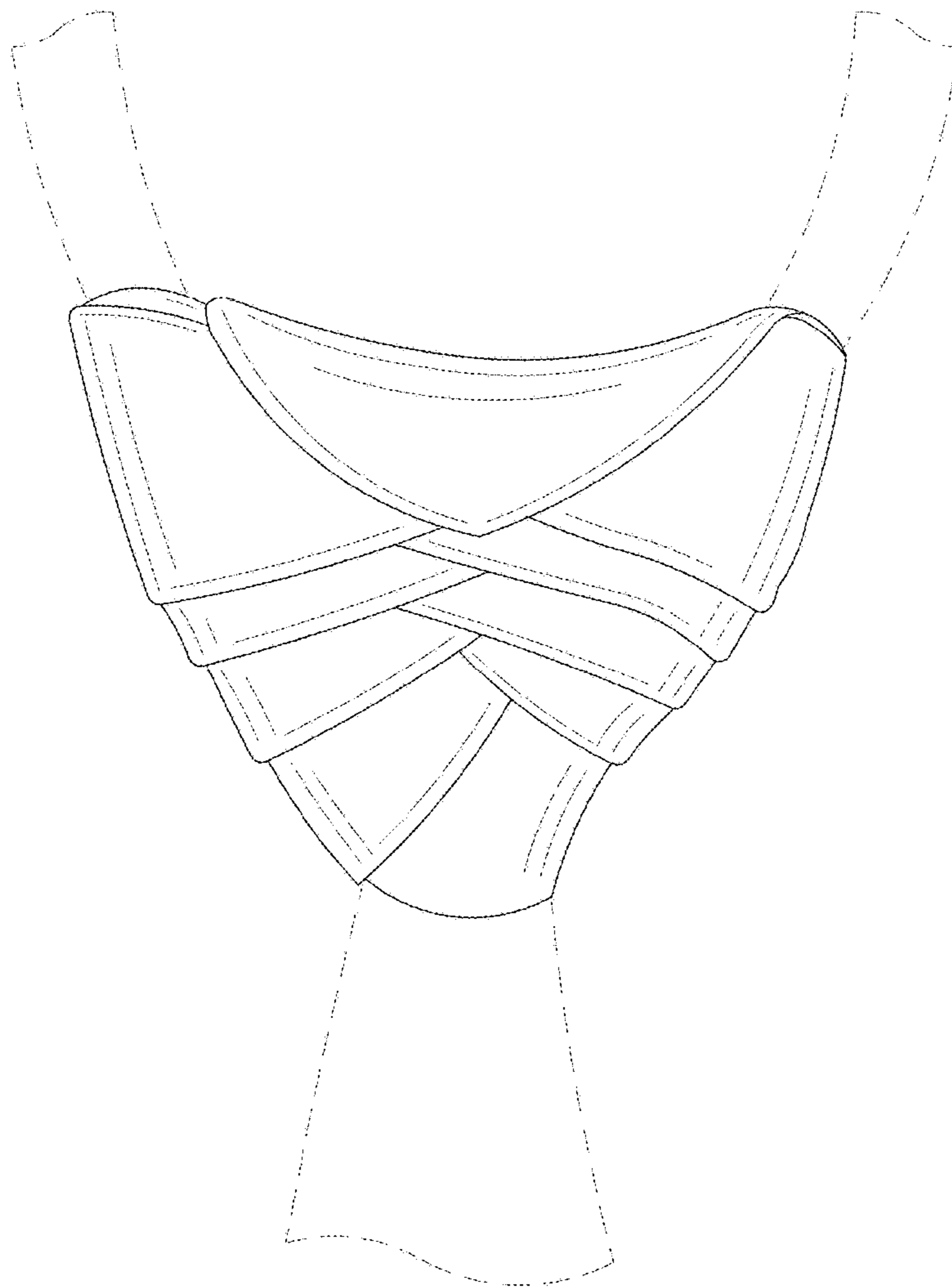


FIG. 2

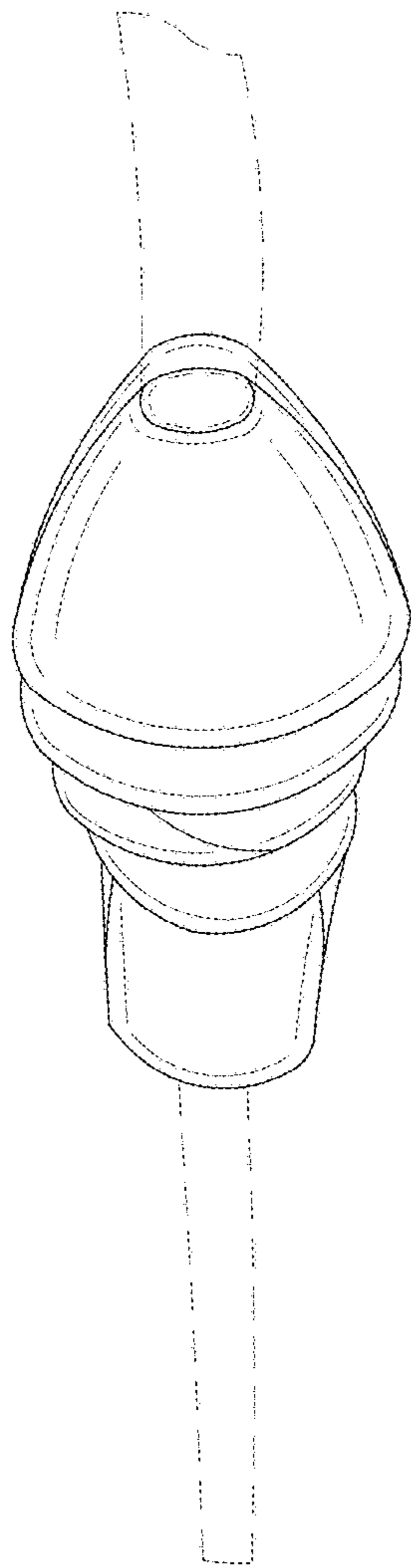


FIG. 3

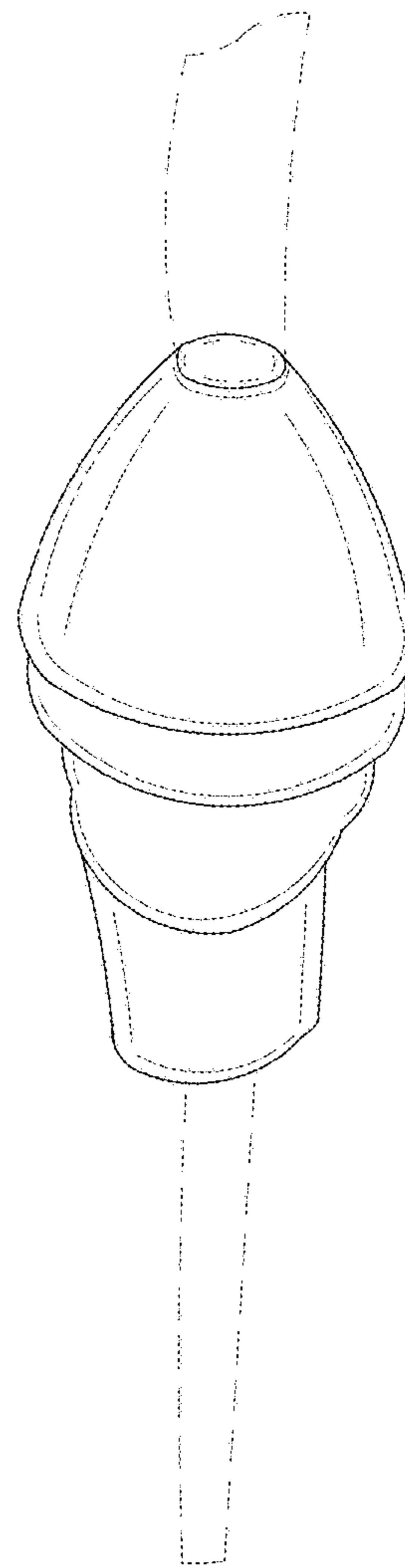


FIG. 4

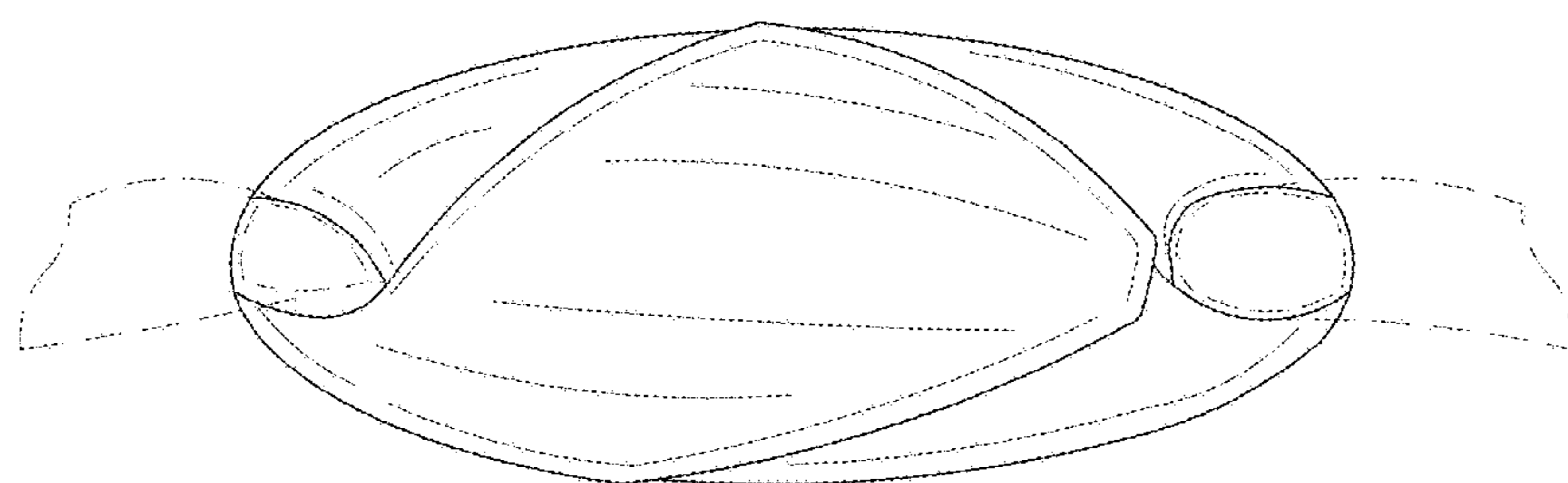


FIG. 5

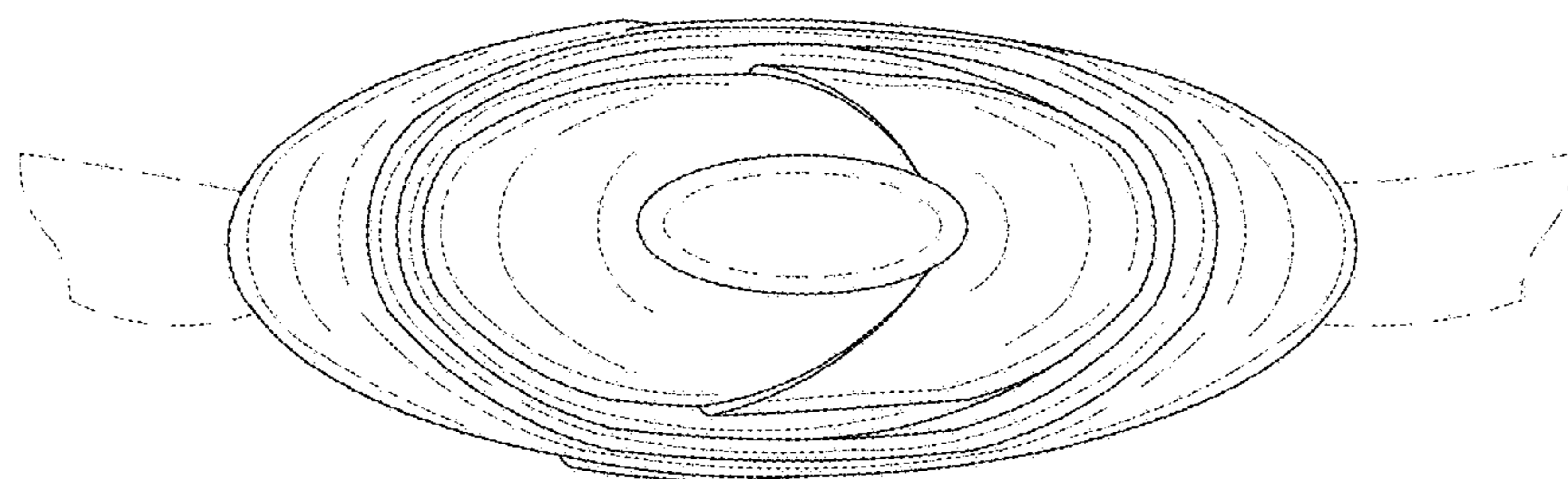


FIG. 6