



US00D841929S

(12) **United States Design Patent**  
**Silverman**

(10) **Patent No.:** **US D841,929 S**

(45) **Date of Patent:** **\*\* Feb. 26, 2019**

- (54) **HEART STONE MONUMENT**
- (71) Applicant: **Lloyd B. Silverman**, Plantation, FL (US)
- (72) Inventor: **Lloyd B. Silverman**, Plantation, FL (US)
- (\*\*) Term: **15 Years**
- (21) Appl. No.: **29/650,847**
- (22) Filed: **Jun. 11, 2018**

3,275,180 A *	9/1966	Optner	.....	B65D 77/0493	206/459.5
3,898,718 A *	8/1975	Eubank	.....	A61G 17/00	27/29
4,324,026 A *	4/1982	Craft	.....	A61G 17/08	27/1
4,697,316 A *	10/1987	Semon	.....	A61G 17/04	27/1
D321,649 S *	11/1991	Lambe, Jr.	.....	D99/5	
D322,753 S *	12/1991	Sussman	.....	D11/152	
5,208,957 A *	5/1993	Hereford	.....	A44C 25/00	206/37
D338,317 S *	8/1993	Woodward	.....	D99/28	
D355,065 S *	1/1995	Hicks	.....	D99/5	
5,397,886 A *	3/1995	Mos	.....	G06K 7/0004	235/440
D363,303 S *	10/1995	Winston	.....	D18/18	
D385,083 S *	10/1997	Kennedy	.....	D99/17	
5,696,488 A *	12/1997	Assisi	.....	G07C 9/00111	235/375

**Related U.S. Application Data**

- (63) Continuation-in-part of application No. 29/649,624, filed on May 31, 2018.
- (51) **LOC (11) Cl.** ..... **25-03**
- (52) **U.S. Cl.**  
USPC ..... **D99/21**; D99/17
- (58) **Field of Classification Search**  
USPC ..... D99/21, 5, 3, 25, 28, 17, 24; D6/300, D6/303; 27/1, 2; D14/203.2, 496; 52/103, 104, 133, 136, 134, 128; 229/116.2; 428/16; 40/124.5, 768; D11/158, 159, 162, 133; D9/629, 430, D9/502  
CPC ..... A61G 17/00; A61G 17/08  
See application file for complete search history.

(56) **References Cited**

**U.S. PATENT DOCUMENTS**

2,015,097 A *	9/1935	Bowman	.....	A23G 3/0268	206/457
D118,025 S *	12/1939	Schultz	.....	D99/21	
2,186,338 A *	1/1940	Mills	.....	B65D 7/22	220/288
D162,093 S *	2/1951	Stuedler	.....	D9/629	
2,604,254 A *	7/1952	Rosenfield	.....	B65D 5/32	229/116.2

(Continued)

*Primary Examiner* — Paula Allen Greene

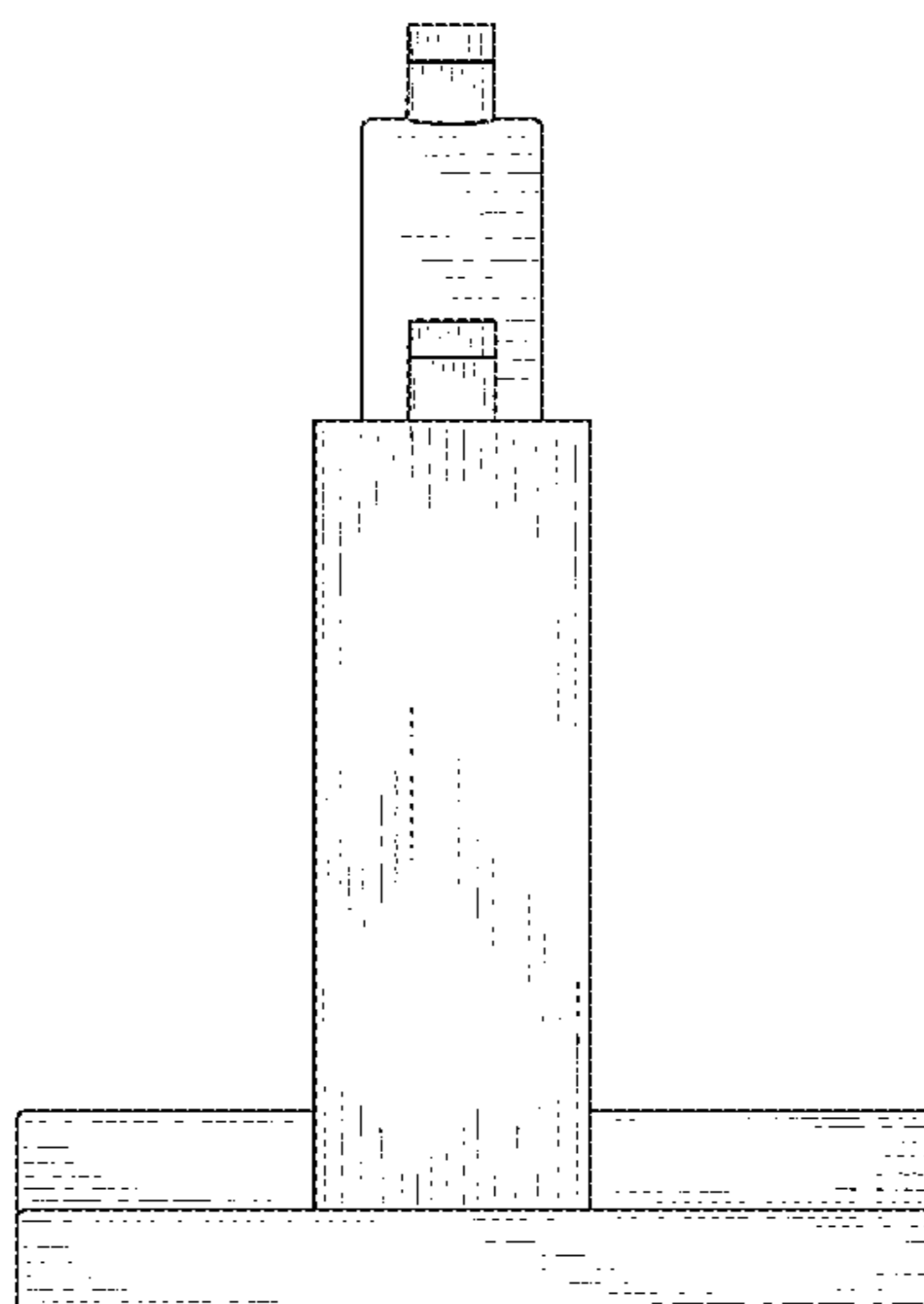
(57) **CLAIM**

The ornamental design for a heart stone monument, as shown and described.

**DESCRIPTION**

FIG. 1 is a front perspective view of a heart stone monument showing my new design;  
 FIG. 2 is a front elevational view thereof;  
 FIG. 3 is a rear elevational view thereof;  
 FIG. 4 is a right side elevational view thereof;  
 FIG. 5 is a left side elevational view thereof;  
 FIG. 6 is a top plan view thereof;  
 FIG. 7 is a bottom plan view thereof; and,  
 FIG. 8 is a front perspective view of a heart stone monument, wherein each of a plurality of capsules has been removed from a corresponding pocket.

**1 Claim, 8 Drawing Sheets**



(56)

**References Cited**

U.S. PATENT DOCUMENTS

6,105,288 A \* 8/2000 Becker ..... A47G 1/06  
 40/124.5  
 D466,814 S \* 12/2002 Hurlburt ..... D9/504  
 6,493,911 B1 \* 12/2002 Troin ..... A61G 17/08  
 125/20  
 D470,991 S \* 2/2003 Goldstein ..... D99/5  
 D476,130 S \* 6/2003 Joy ..... D99/5  
 D483,542 S \* 12/2003 Carter, Jr. .... D99/19  
 D484,040 S \* 12/2003 Kinigakis ..... D9/709  
 6,904,721 B1 \* 6/2005 Forbes ..... E04H 13/008  
 52/103  
 D538,175 S \* 3/2007 Davies ..... D9/418  
 D612,572 S \* 3/2010 Doty ..... D99/5  
 D622,024 S \* 8/2010 School ..... D99/5  
 8,281,944 B2 \* 10/2012 Battegazzore ..... B65D 41/3428  
 215/219  
 D673,344 S \* 12/2012 Adelusi-Adeluyi ..... D99/19  
 8,943,762 B2 \* 2/2015 Carlson ..... E04H 13/008  
 211/85.27  
 D793,649 S \* 8/2017 Beeler ..... D99/5  
 D817,588 S \* 5/2018 Fraser ..... D99/5  
 2003/0024089 A1 \* 2/2003 Dziekonski ..... A61G 17/08  
 27/1  
 2005/0005409 A1 \* 1/2005 Elnatan ..... A61G 17/08  
 27/1  
 2009/0199376 A1 \* 8/2009 Hume ..... E04H 13/006  
 27/1

\* cited by examiner

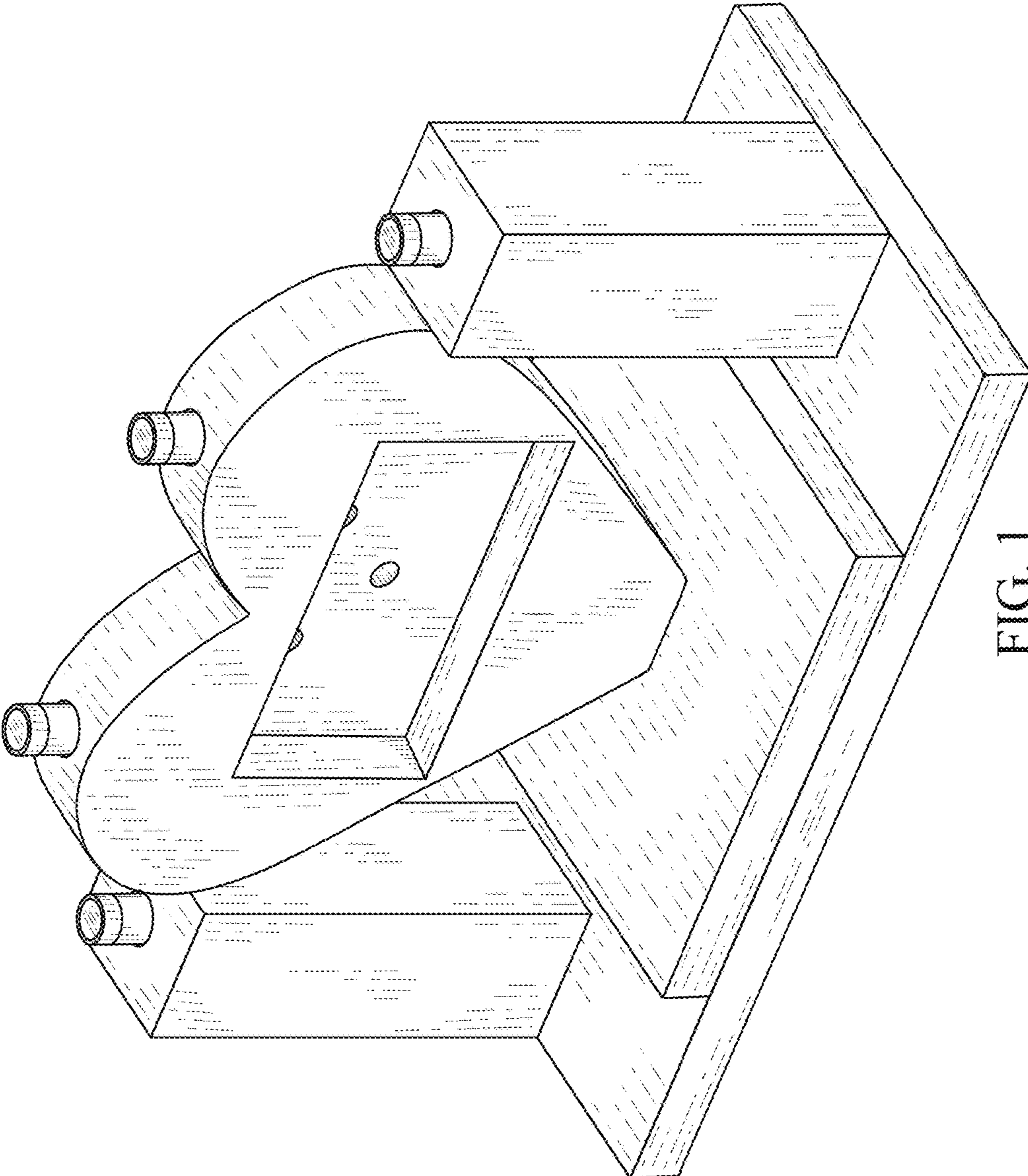


FIG. 1

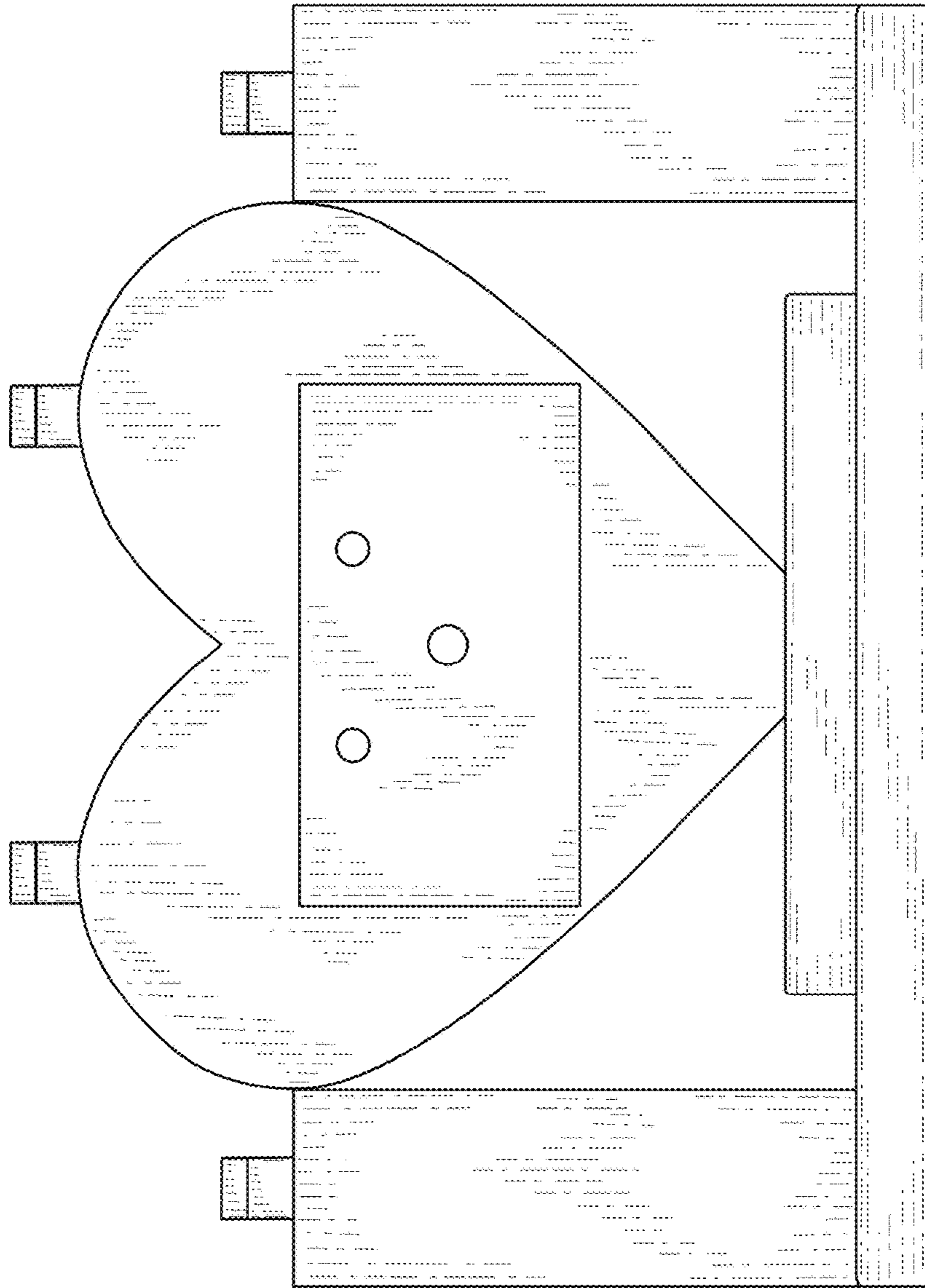


FIG. 2



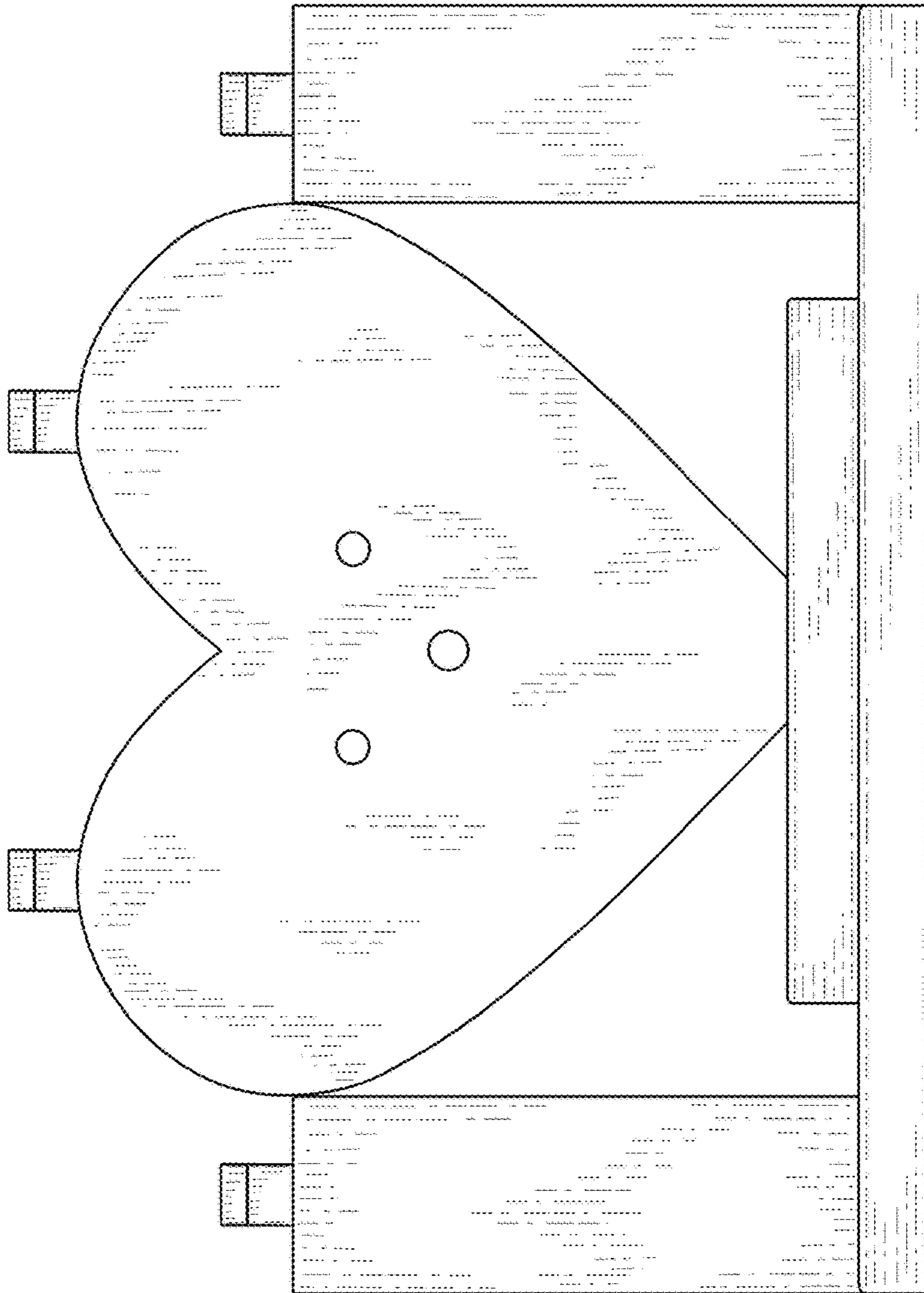


FIG. 3

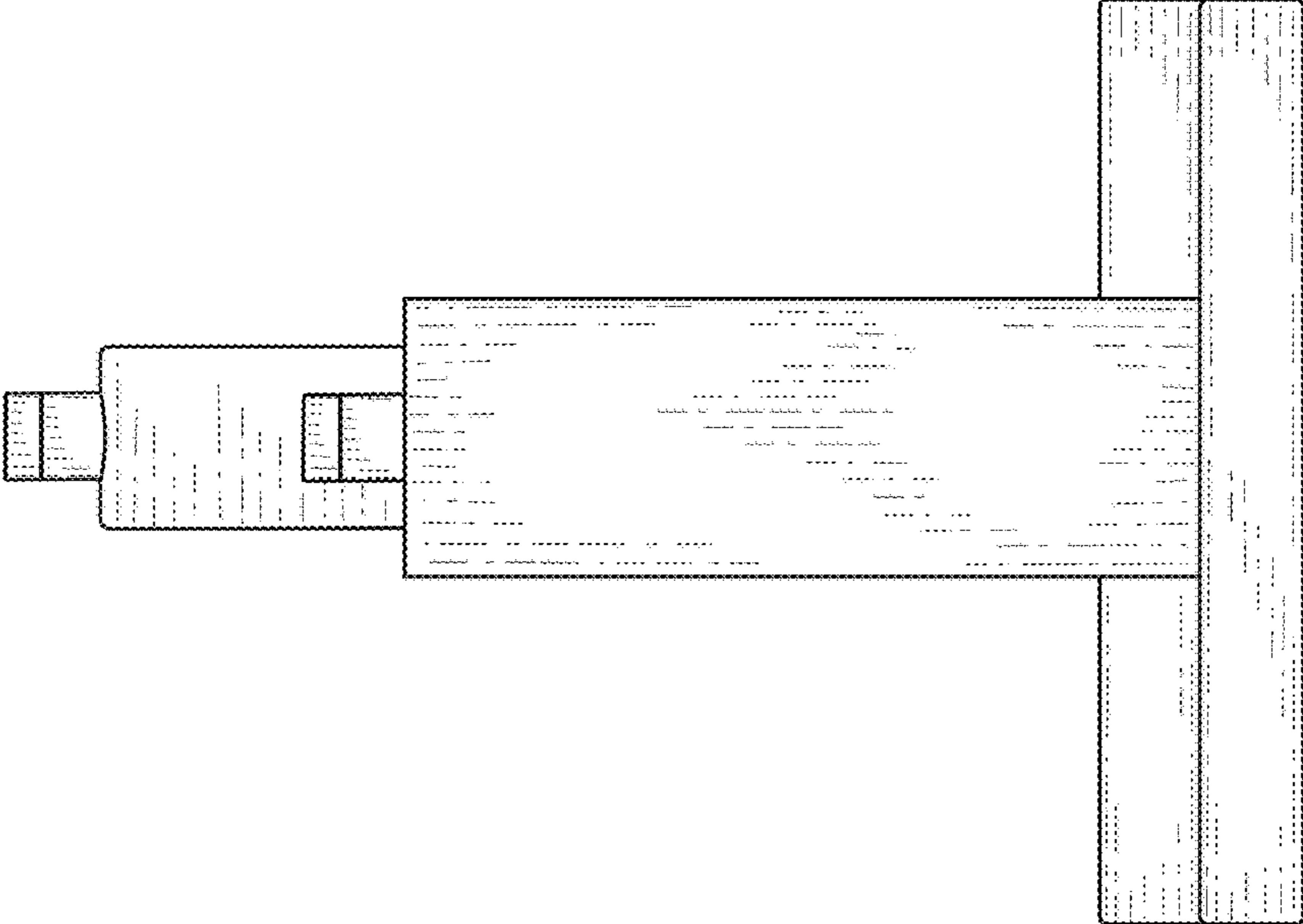


FIG. 4

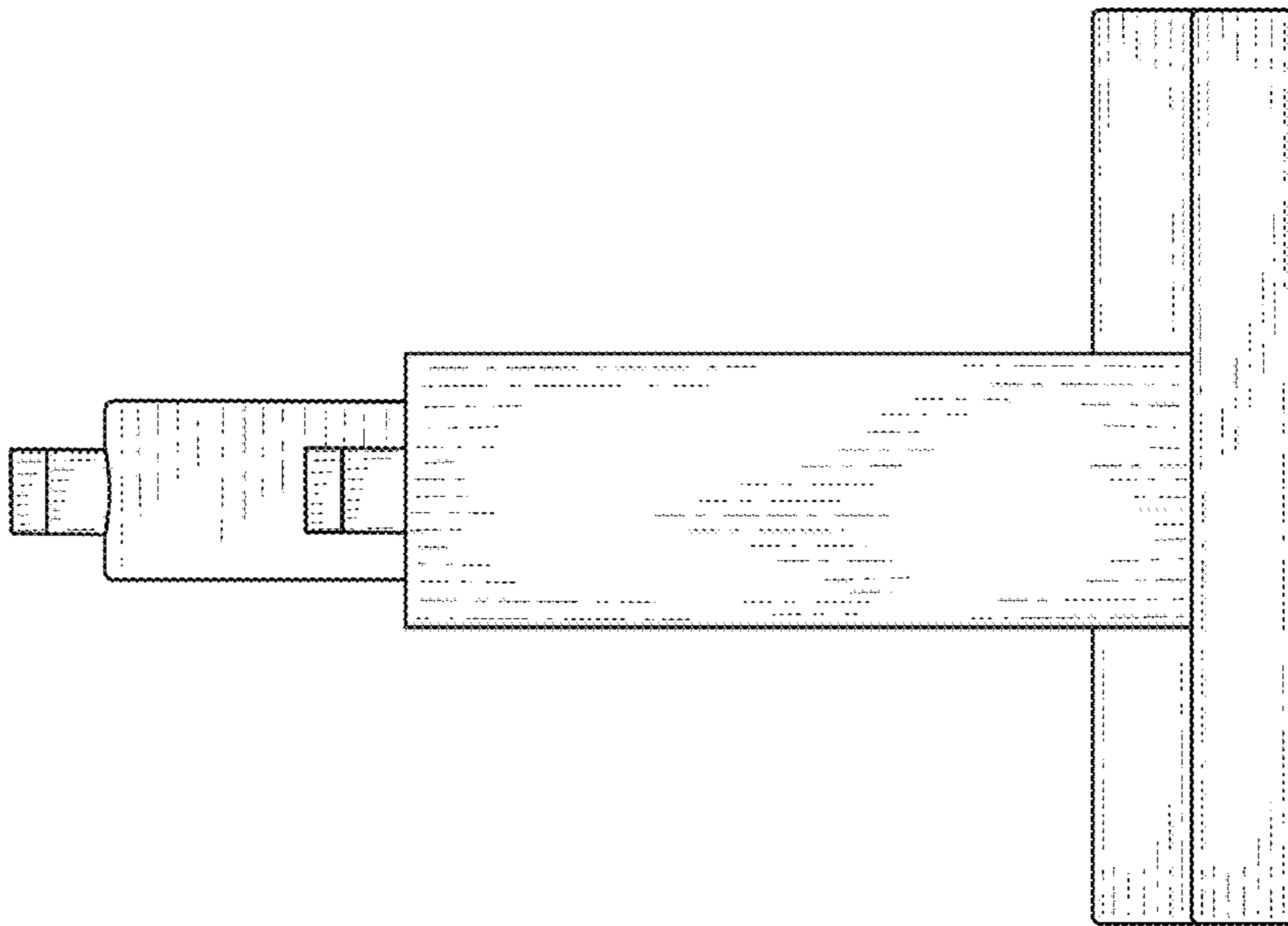


FIG. 5

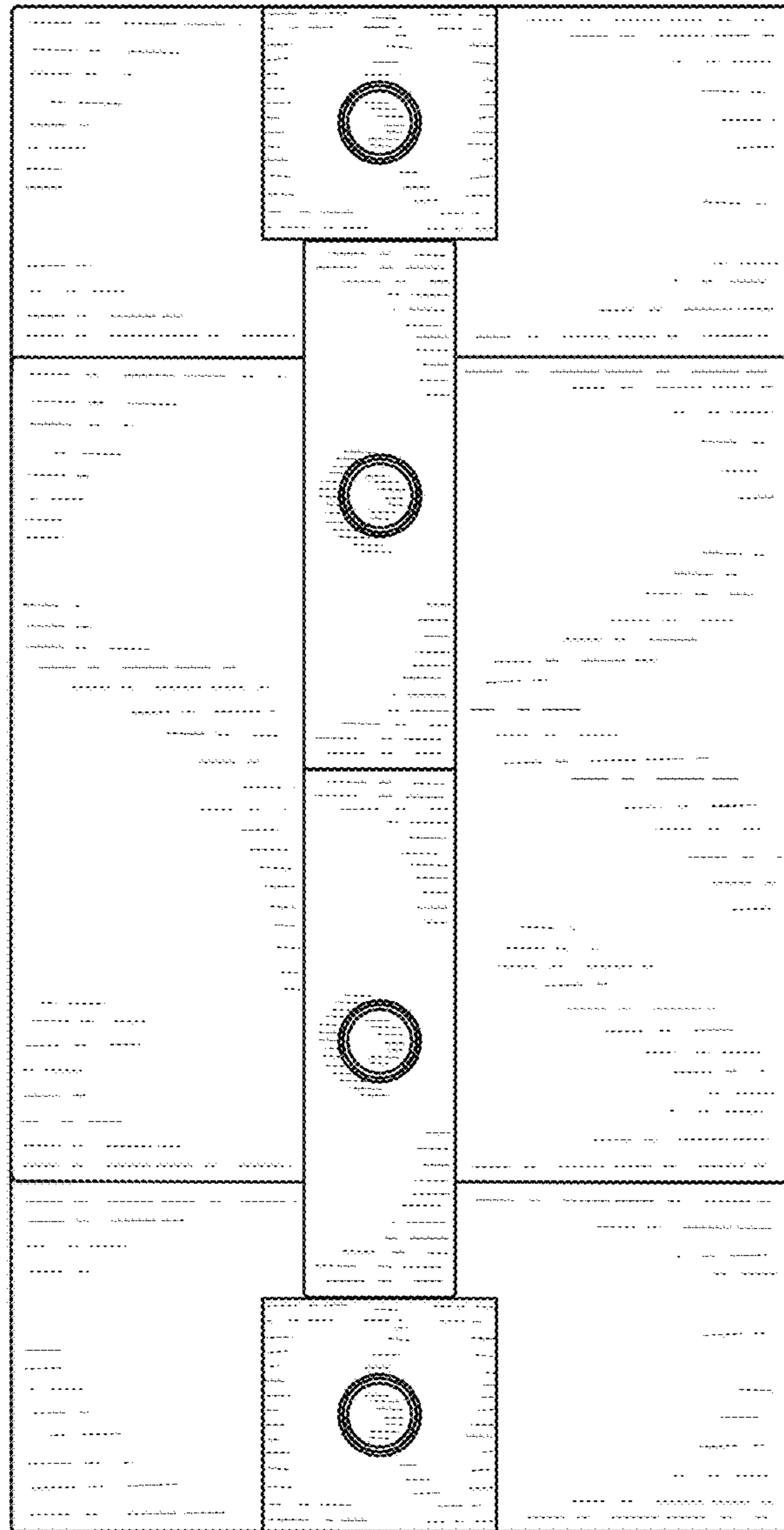


FIG. 6



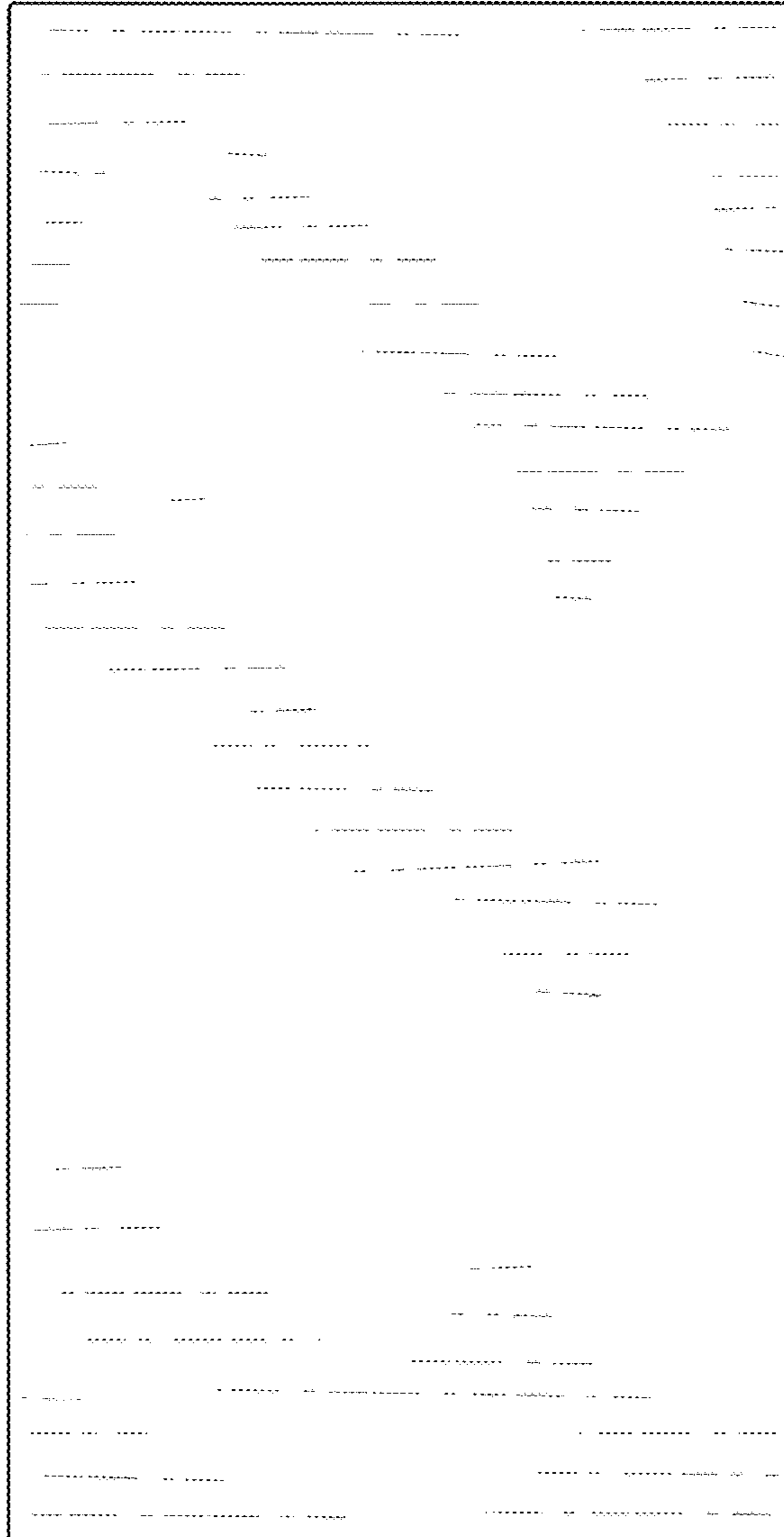


FIG. 7

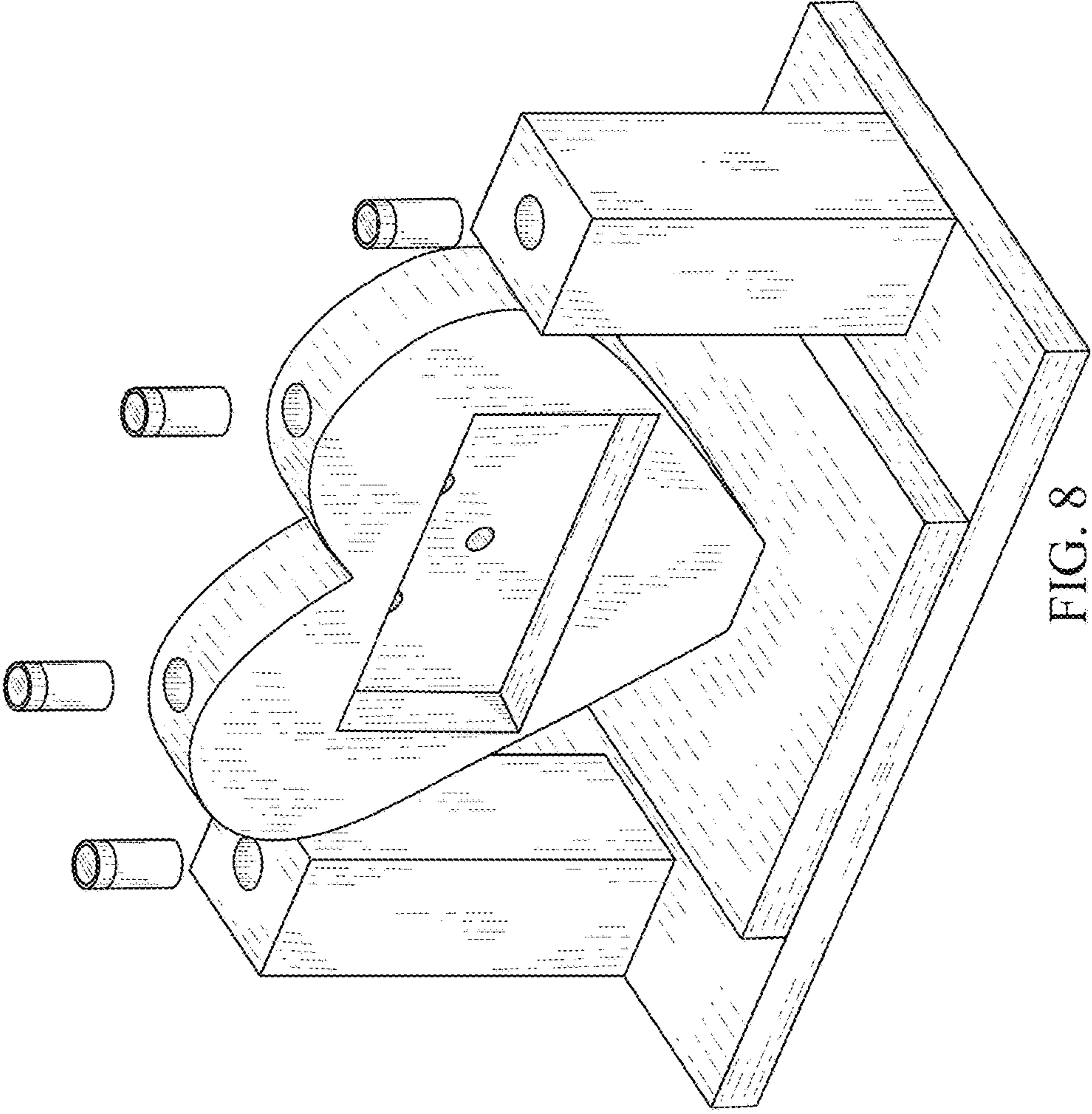


FIG. 8