



US00D841928S

(12) **United States Design Patent**
Silverman

(10) **Patent No.:** **US D841,928 S**

(45) **Date of Patent:** **** Feb. 26, 2019**

- (54) **HEART STONE MONUMENT**
- (71) Applicant: **Lloyd B. Silverman**, Plantation, FL
(US)
- (72) Inventor: **Lloyd B. Silverman**, Plantation, FL
(US)
- (**) Term: **15 Years**
- (21) Appl. No.: **29/649,624**
- (22) Filed: **May 31, 2018**
- (51) **LOC (11) Cl.** **25-03**
- (52) **U.S. Cl.**
USPC **D99/21**; D99/17
- (58) **Field of Classification Search**
USPC D99/21, 3, 25, 28, 17, 5, 24; D6/300,
D6/303; 27/1, 2; D14/203.2, 496;
52/103, 104, 133, 136, 134, 128;
229/116.2; 428/16; 40/124.5, 768;
D11/158, 159, 162, 133; D9/629, 430,
D9/502
CPC A61G 17/00; A61G 17/08
See application file for complete search history.

- 4,324,026 A * 4/1982 Craft A61G 17/08
27/1
- 4,697,316 A * 10/1987 Semon A61G 17/04
27/1
- D321,649 S * 11/1991 Lambe, Jr. D99/5
- D322,753 S * 12/1991 Sussman D11/152
- 5,208,957 A * 5/1993 Hereford A44C 25/00
206/37
- D338,317 S * 8/1993 Woodward D99/28
- D355,065 S * 1/1995 Hicks D99/5
- 5,379,886 A * 1/1995 Brauner B65D 5/42
206/216
- D363,303 S * 10/1995 Winston D18/18
- D385,083 S * 10/1997 Kennedy D99/17
- 5,696,488 A * 12/1997 Assisi G07C 9/00111
235/375
- 6,105,288 A * 8/2000 Becker A47G 1/06
40/124.5
- D466,814 S * 12/2002 Hurlburt D9/504
- 6,493,911 B1 * 12/2002 Troin A61G 17/08
125/20
- D470,991 S * 2/2003 Goldstein D99/5

(Continued)

Primary Examiner — Paula Allen Greene

(57) **CLAIM**

The ornamental design for a heart stone monument, as shown and described.

DESCRIPTION

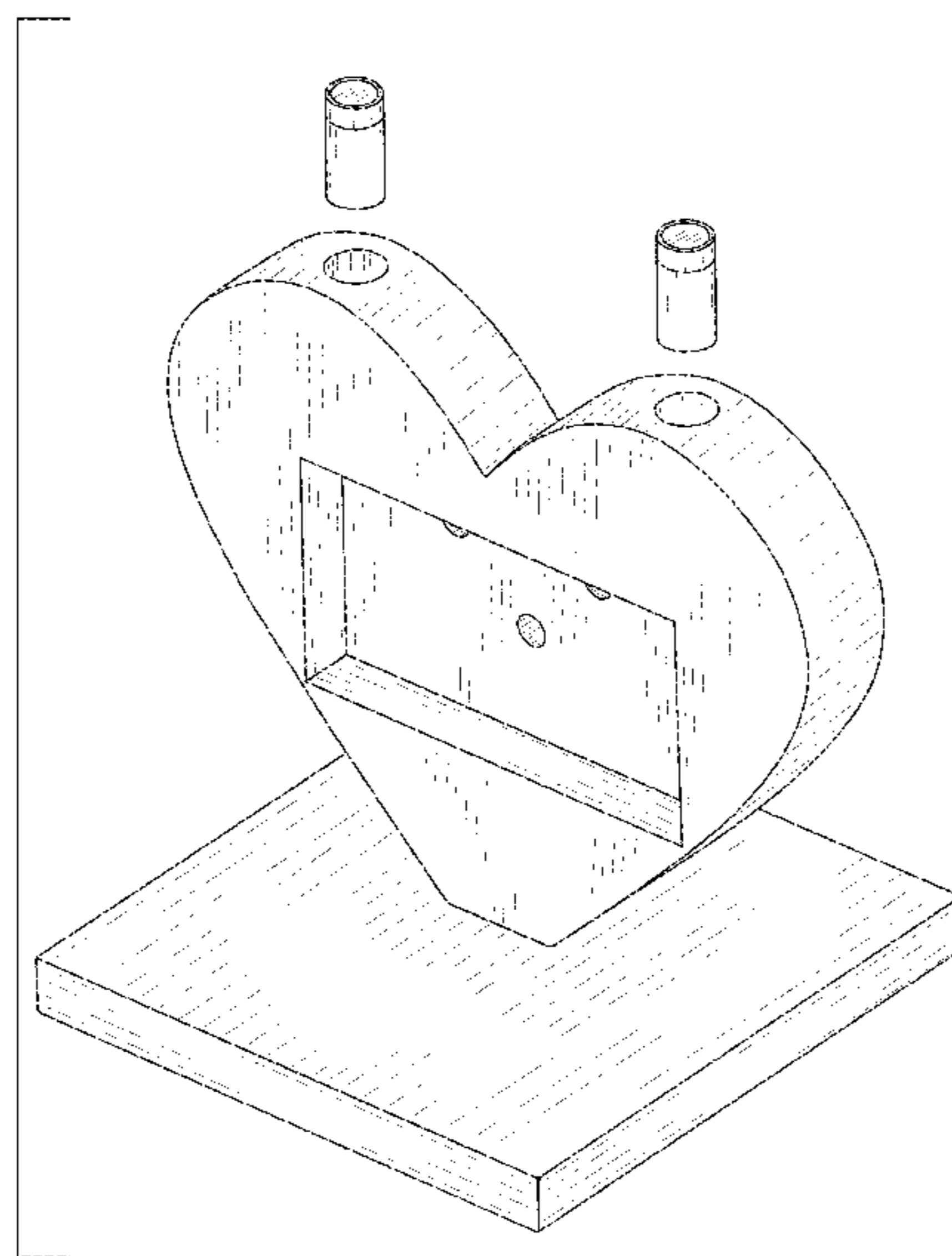
FIG. 1 is a front perspective view of a heart stone monument showing my new design;
 FIG. 2 is a front elevational view thereof;
 FIG. 3 is a rear elevational view thereof;
 FIG. 4 is a left side elevational view thereof;
 FIG. 5 is a right side elevational view thereof;
 FIG. 6 is a top plan view thereof;
 FIG. 7 is a bottom plan view thereof; and,
 FIG. 8 is a front perspective view of a heart stone monument, wherein each of a plurality of capsules has been removed from a corresponding pocket.

1 Claim, 8 Drawing Sheets

(56) **References Cited**

U.S. PATENT DOCUMENTS

- 2,015,097 A * 9/1935 Bowman A23G 3/0268
206/457
- D118,025 S * 12/1939 Schultz D99/21
- 2,186,338 A * 1/1940 Mills B65D 7/22
220/288
- D162,093 S * 2/1951 Steudler D9/629
- 2,604,254 A * 7/1952 Rosenfield B65D 5/32
229/116.2
- 3,275,180 A * 9/1966 Optner B65D 77/0493
206/459.5
- 3,898,718 A * 8/1975 Eubank A61G 17/00
27/29



(56)

References Cited

U.S. PATENT DOCUMENTS

D476,130 S * 6/2003 Joy D99/5
D483,542 S * 12/2003 Carter, Jr. D99/19
D484,040 S * 12/2003 Kinigakis D9/709
6,904,721 B1 * 6/2005 Forbes E04H 13/008
52/103
D538,175 S * 3/2007 Davies D9/418
D612,572 S * 3/2010 Doty D99/5
D622,024 S * 8/2010 School D99/5
8,281,944 B2 * 10/2012 Battegazzore B65D 41/3428
215/219
D673,344 S * 12/2012 Adelusi-Adeluyi D99/19
8,943,762 B2 * 2/2015 Carlson E04H 13/008
211/85.27
D793,649 S * 8/2017 Beeler D99/5
D817,588 S * 5/2018 Fraser D99/5
2003/0024089 A1 * 2/2003 Dziekonski A61G 17/08
27/1
2005/0005409 A1 * 1/2005 Elnatan A61G 17/08
27/1
2009/0199376 A1 * 8/2009 Hume E04H 13/006
27/1

* cited by examiner

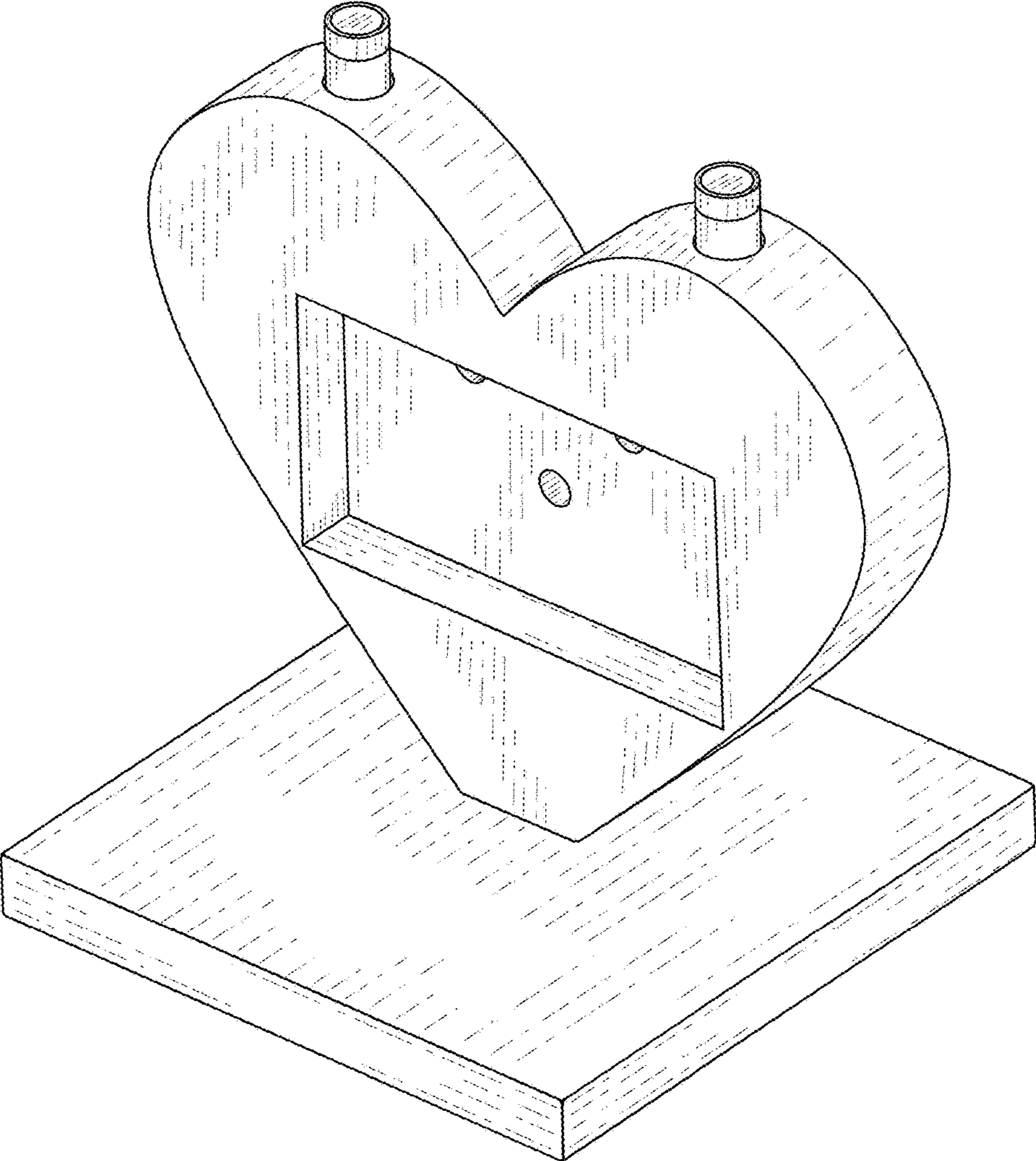


FIG. 1

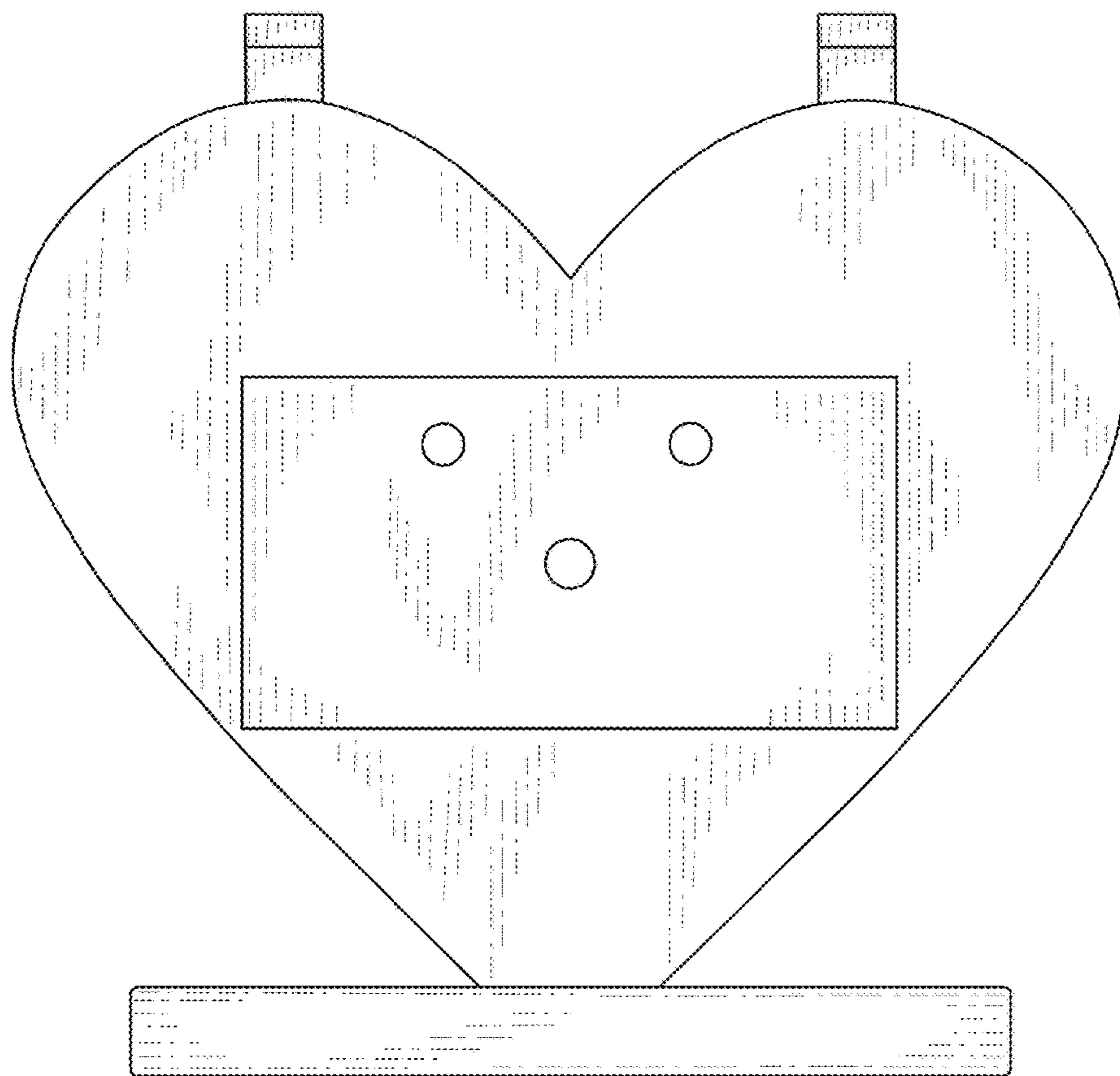


FIG. 2

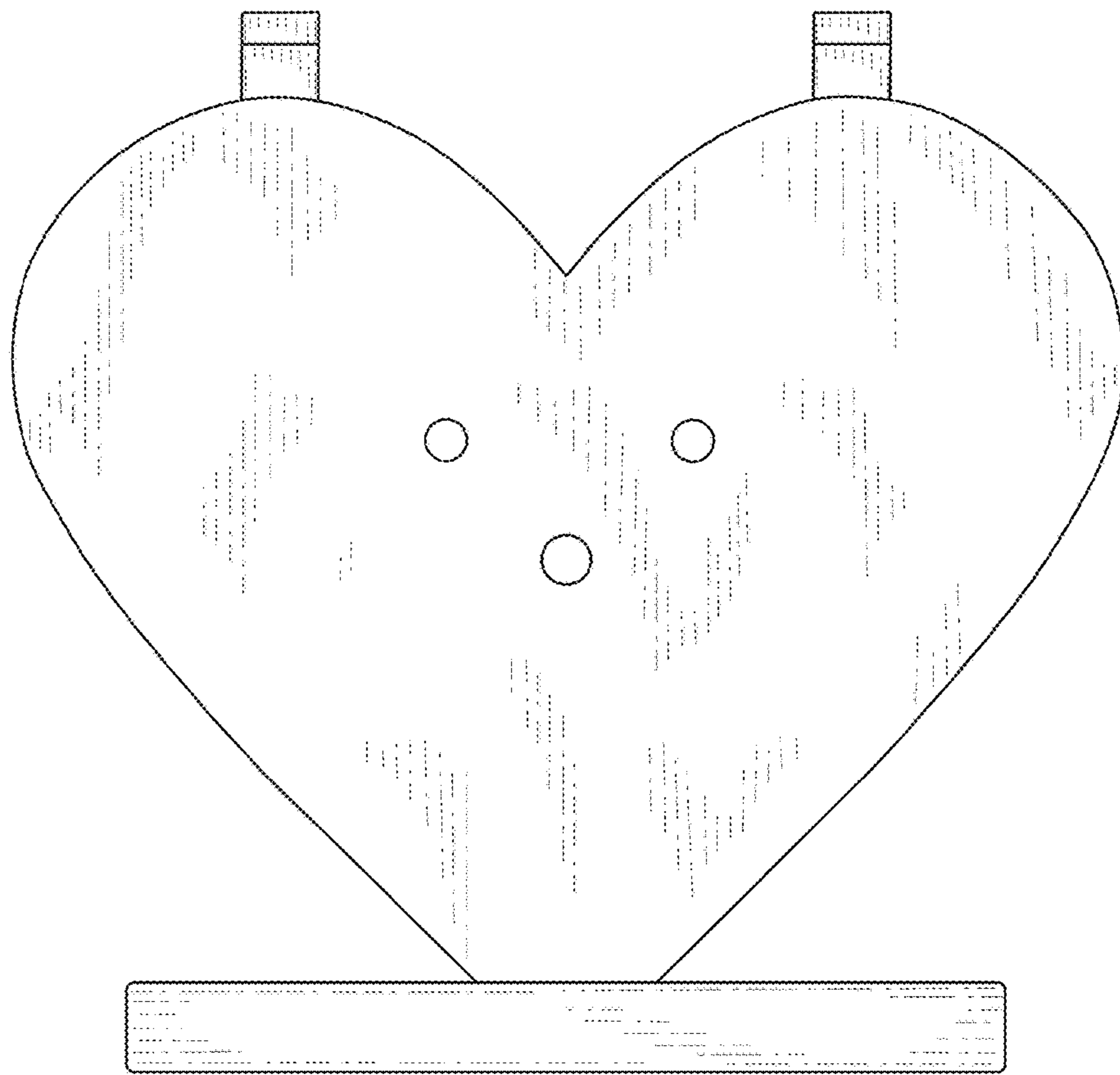


FIG. 3

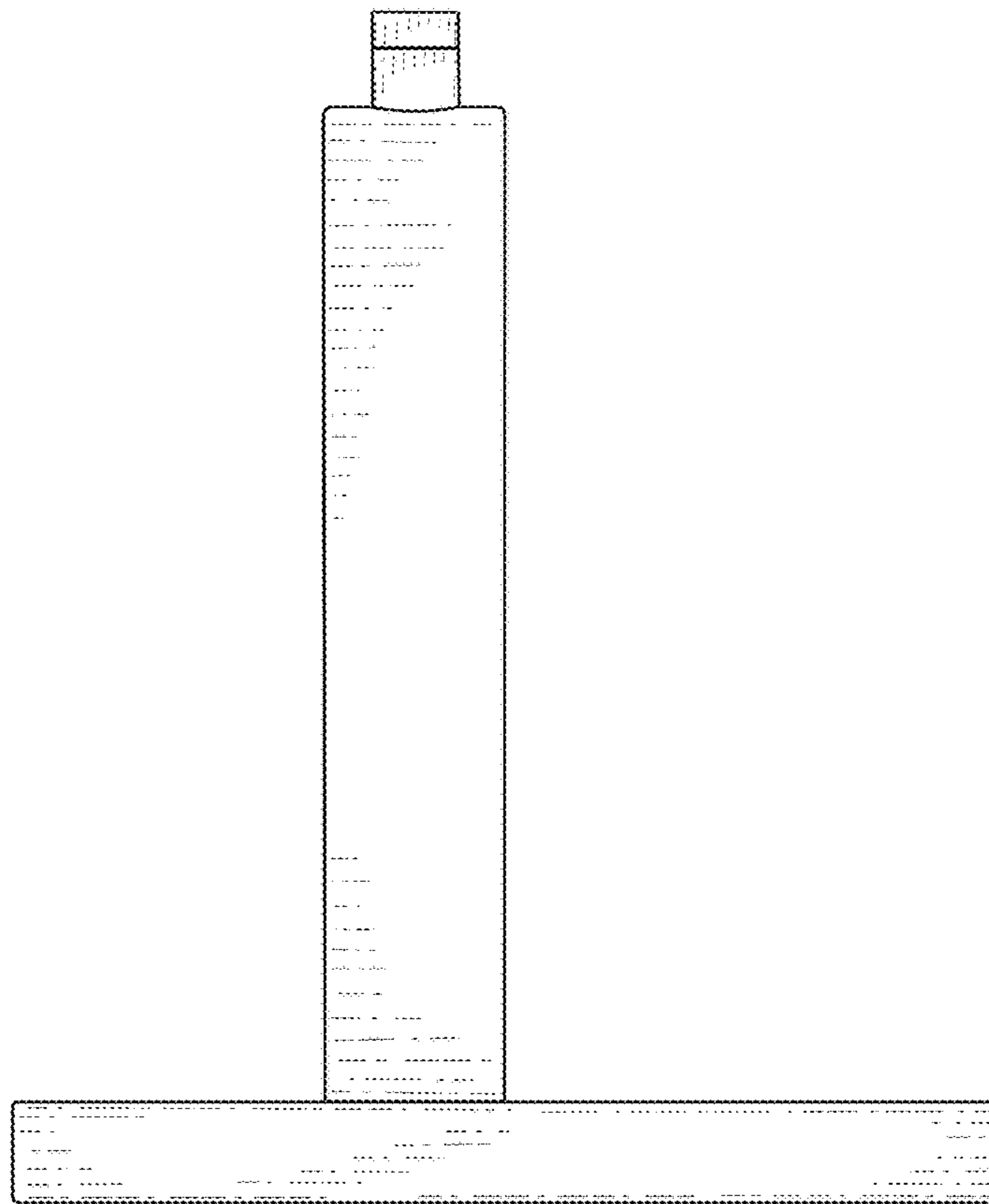


FIG. 4

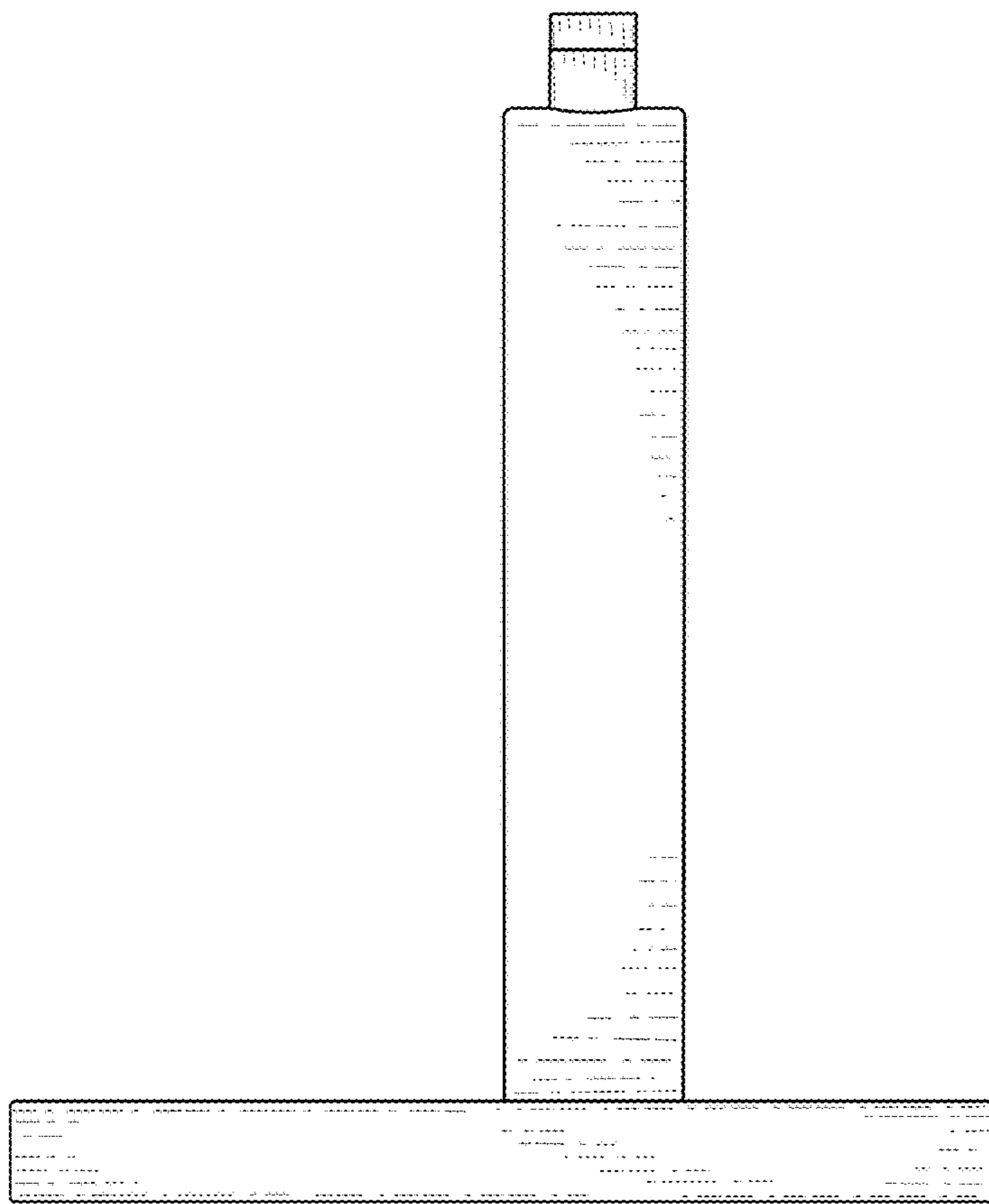


FIG. 5

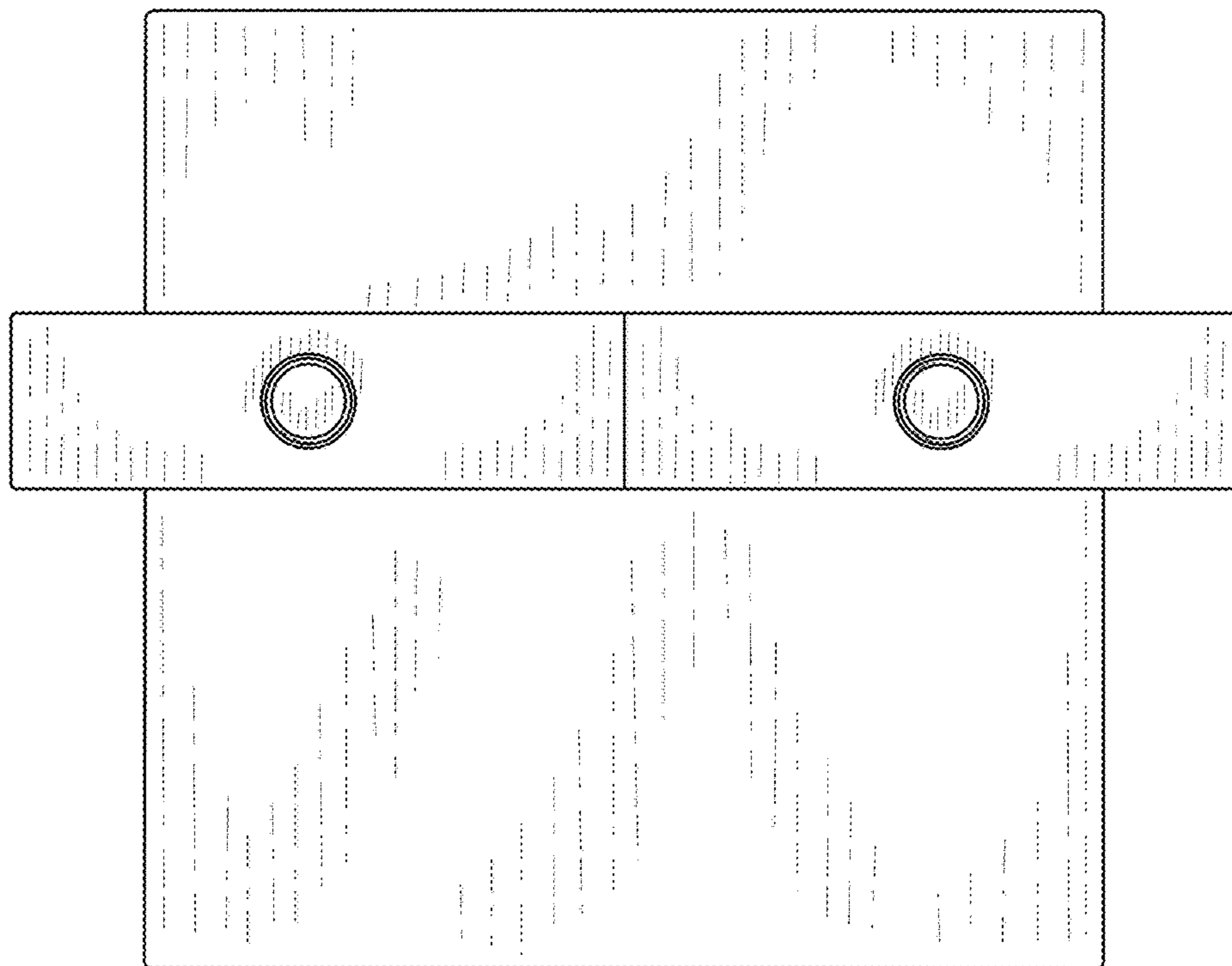


FIG. 6

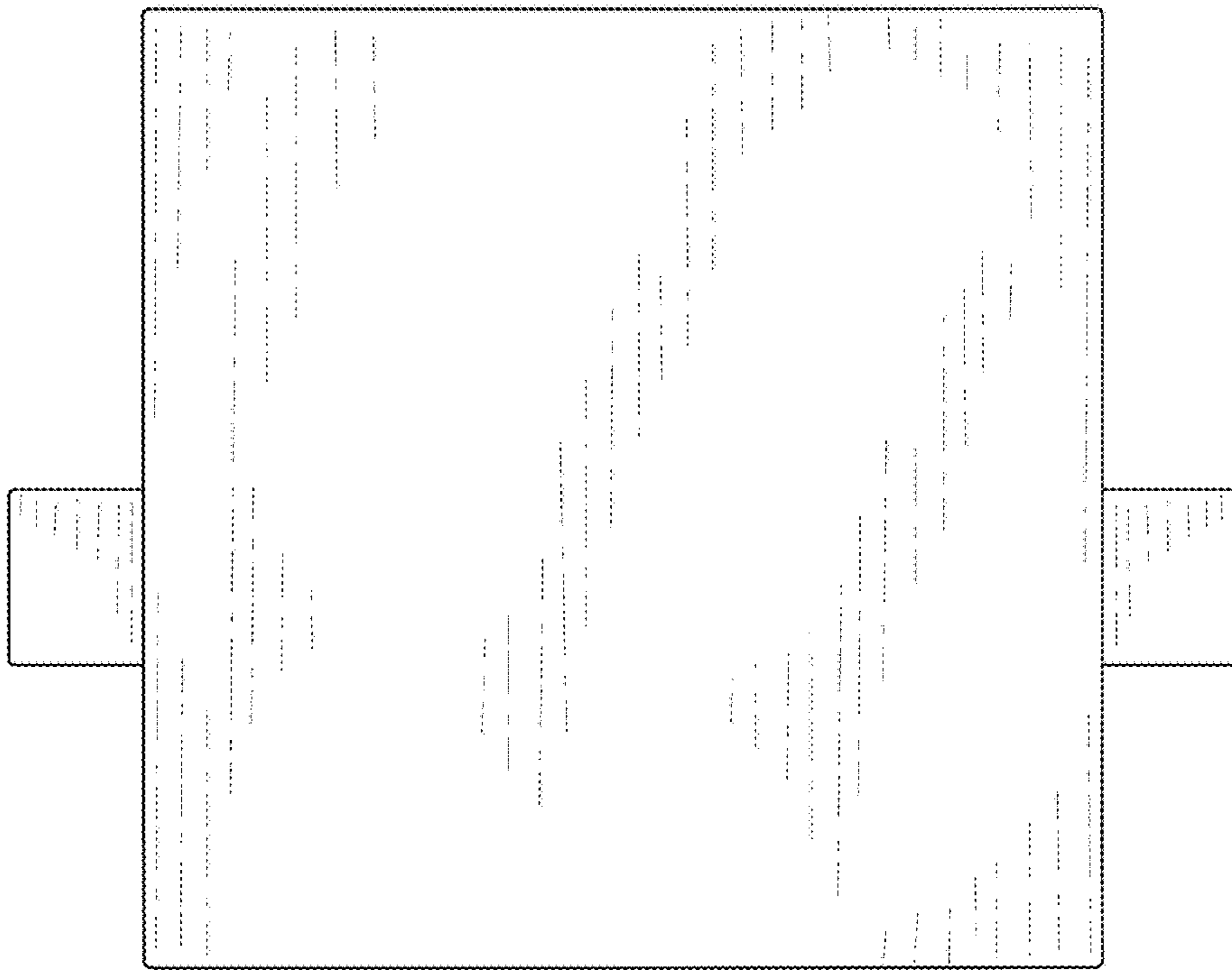


FIG. 7

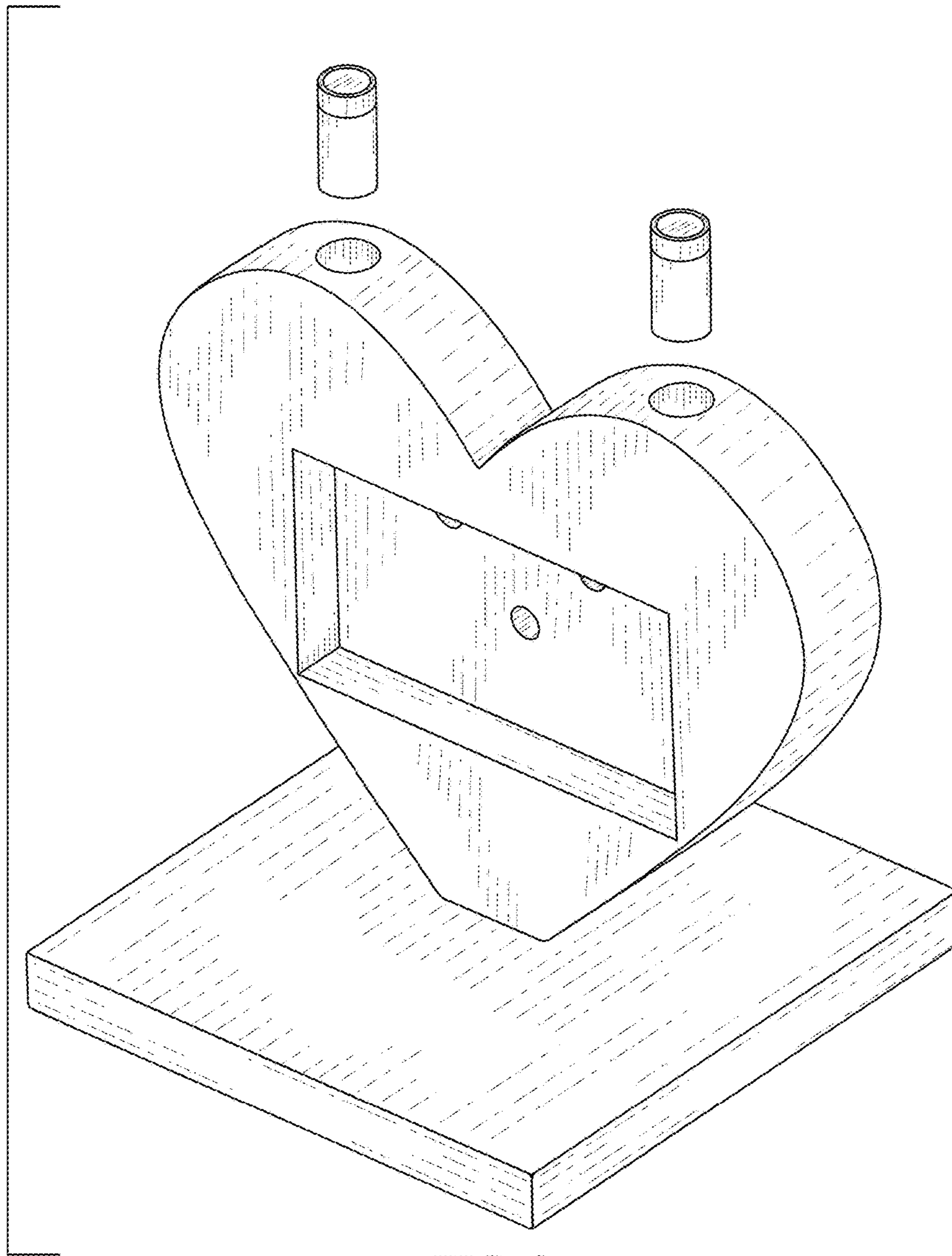


FIG. 8