



US00D841927S

(12) **United States Design Patent**  
**Jennings**

(10) **Patent No.: US D841,927 S**

(45) **Date of Patent: \*\* Feb. 26, 2019**

(54) **CREMATION URN AND DISPLAY**

(71) Applicant: **Allan Wayne Jennings**, Plano, TX  
(US)

(72) Inventor: **Allan Wayne Jennings**, Plano, TX  
(US)

(\*\*) Term: **15 Years**

(21) Appl. No.: **29/581,402**

(22) Filed: **Oct. 18, 2016**

**Related U.S. Application Data**

(63) Continuation-in-part of application No. 29/529,882,  
filed on Jun. 11, 2015, now Pat. No. Des. 772,520.

(51) **LOC (11) Cl.** ..... **99-00**

(52) **U.S. Cl.**  
USPC ..... **D99/5**

(58) **Field of Classification Search**  
USPC ..... D99/5; D7/540, 396.4; D9/545, 548,  
D9/435, 434; D11/152, 153, 154;  
206/508; 220/288, 624; 211/85.27;  
215/320, 343; D27/101, 173, 188, 119,  
D27/106; D20/10, 11, 22, 27; 27/1;  
52/103

CPC ..... A61G 17/08; A61G 17/00; E04H 13/00  
See application file for complete search history.

(56) **References Cited**

**U.S. PATENT DOCUMENTS**

- 1,492,048 A \* 4/1924 Reilly ..... E04H 13/003  
27/1
- 2,094,129 A \* 9/1937 Manahan ..... E04H 13/00  
40/124.5
- 2,525,091 A \* 10/1950 Brownawell ..... E04H 13/00  
52/103
- D182,849 S \* 5/1958 Reitman ..... D99/19
- D200,383 S \* 2/1965 Gluck ..... D27/106
- D233,318 S \* 10/1974 Moberly ..... D9/517

- D287,415 S \* 12/1986 Cramer ..... D27/106
- 4,811,996 A \* 3/1989 Hansson ..... A45C 11/16  
206/566
- 5,704,103 A \* 1/1998 Crowley ..... A61G 17/08  
27/1
- D390,323 S \* 2/1998 Parker ..... D23/201
- D395,122 S \* 6/1998 Dunlop ..... D99/19
- D438,685 S \* 3/2001 Robinson ..... D99/5
- D479,380 S \* 9/2003 Robinson ..... D99/5

(Continued)

*Primary Examiner* — Paula Allen Greene

(74) *Attorney, Agent, or Firm* — Jeffrey Roddy

(57) **CLAIM**

I claim the ornamental design for a cremation urn and display, as shown and described.

**DESCRIPTION**

FIG. 1 is a front view of a first embodiment of a bilaterally symmetrical cremation urn and display showing my new design.

FIG. 2 is a right side elevation thereof, the left side being a mirror image;

FIG. 3 is a back side elevation thereof;

FIG. 4 is top plan view thereof;

FIG. 5 is a front view of a second embodiment of a bilaterally symmetrical cremation urn and display showing my new design;

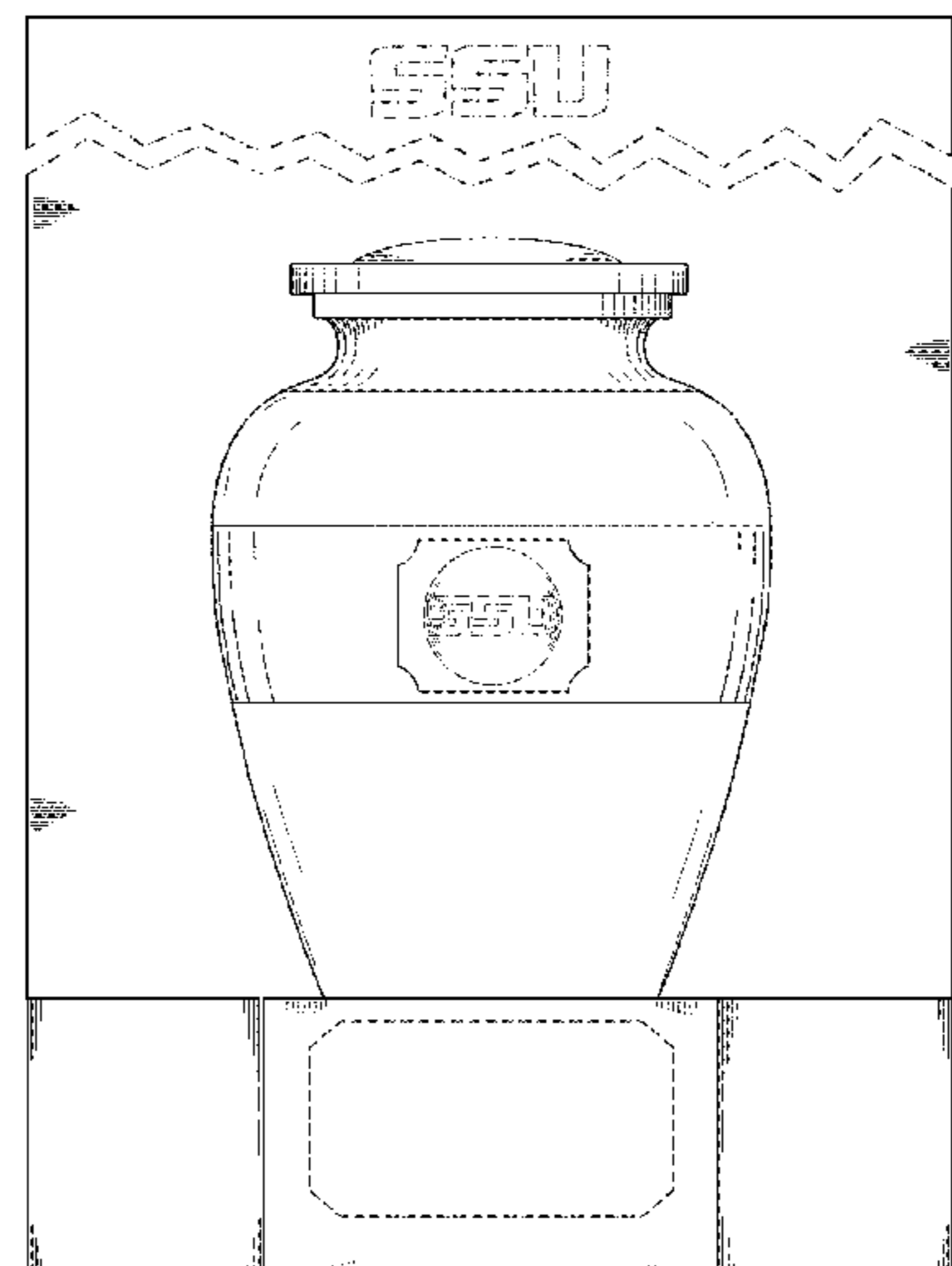
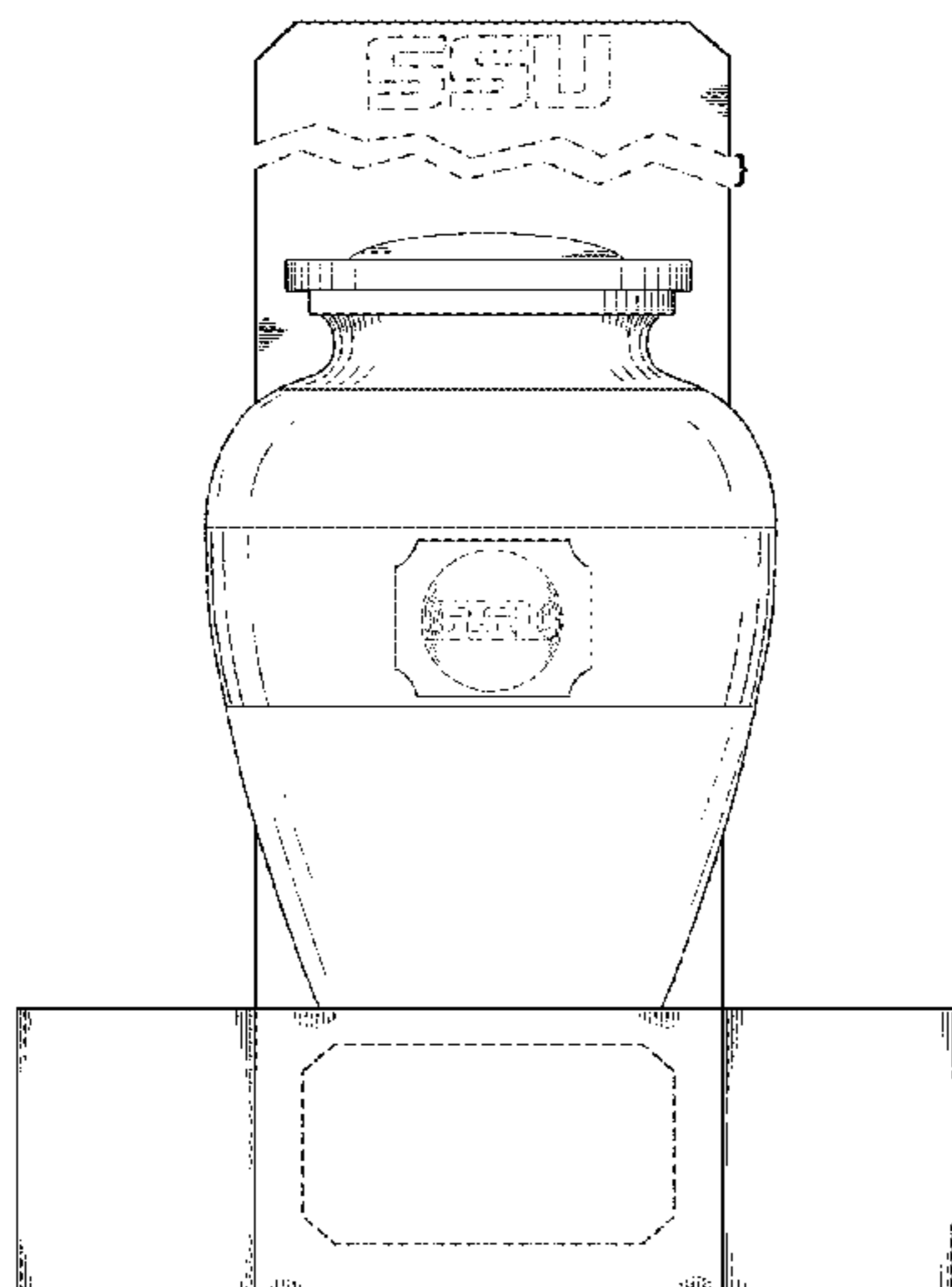
FIG. 6 is a right side elevation thereof, the left side being a mirror image;

FIG. 7 is a back side elevation thereof; and,

FIG. 8 is a top plan view thereof.

The cremation urn and display is shown with a symbolic break in its length. The appearance of any portion of the article between the break lines forms no part of the claimed design. Textual indicia showing numbers or letters are for purposes of environmental illustration and form no part of the claimed design. Dashed or broken lines showing form no part of the claimed design.

**1 Claim, 8 Drawing Sheets**



(56)

**References Cited**

U.S. PATENT DOCUMENTS

D479,639 S \* 9/2003 Robinson ..... D99/5  
D479,640 S \* 9/2003 Robinson ..... D99/5  
D479,641 S \* 9/2003 Robinson ..... D99/5  
D479,900 S \* 9/2003 Robinson ..... D99/5  
6,735,831 B1 \* 5/2004 Greiwe ..... A61G 17/08  
27/1  
6,904,721 B1 \* 6/2005 Forbes ..... E04H 13/008  
52/103  
D653,011 S \* 1/2012 Myers ..... D99/5  
D706,015 S \* 5/2014 Freeman ..... A61G 17/08  
D99/5  
D708,812 S \* 7/2014 Freeman ..... A61G 17/08  
D99/5  
D719,714 S \* 12/2014 Khan ..... D99/5  
D745,764 S \* 12/2015 Jennings ..... D99/5  
D767,238 S \* 9/2016 Jennings ..... D99/5  
D772,520 S \* 11/2016 Jennings ..... D99/5

\* cited by examiner

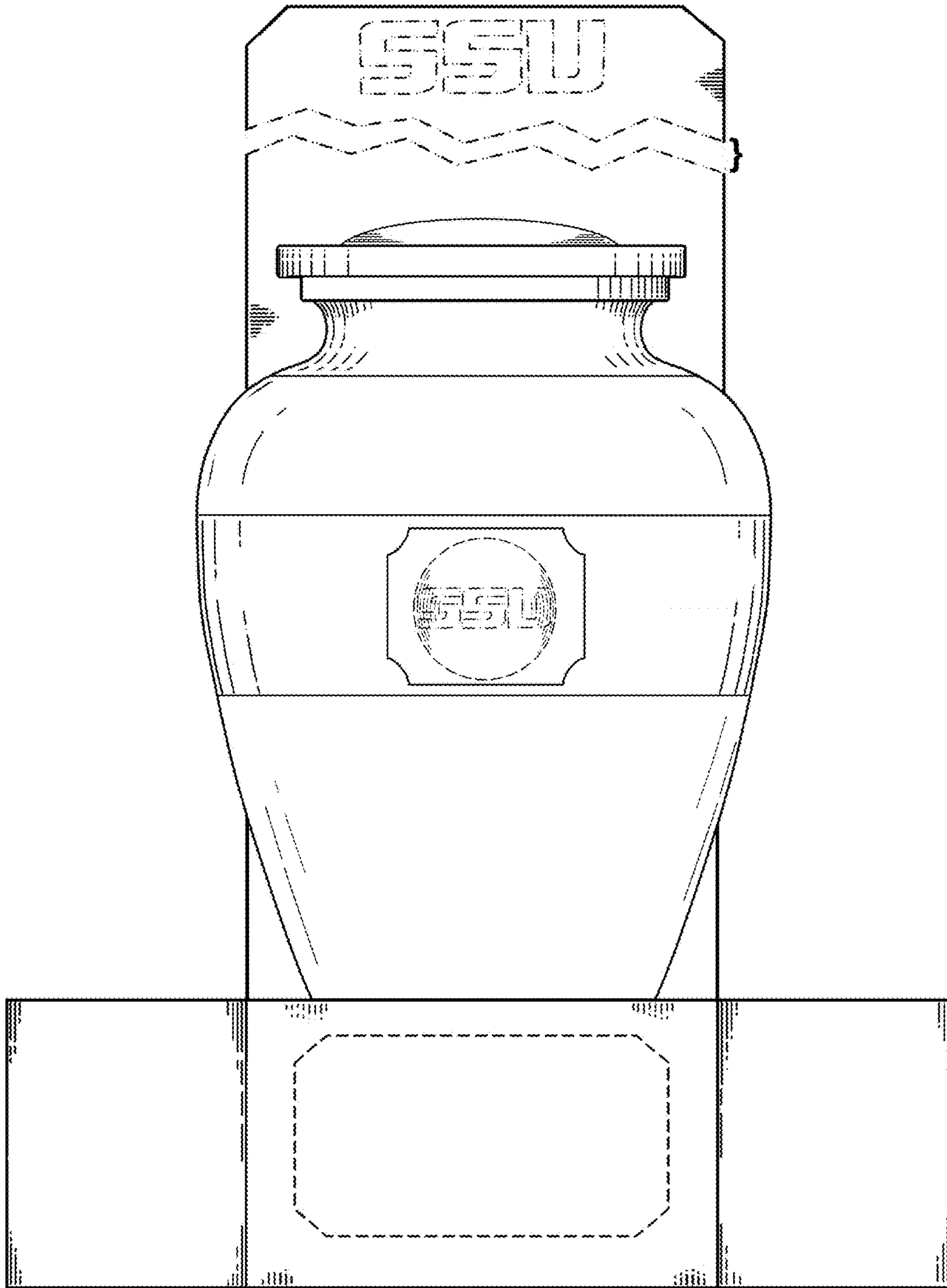


FIG. 1

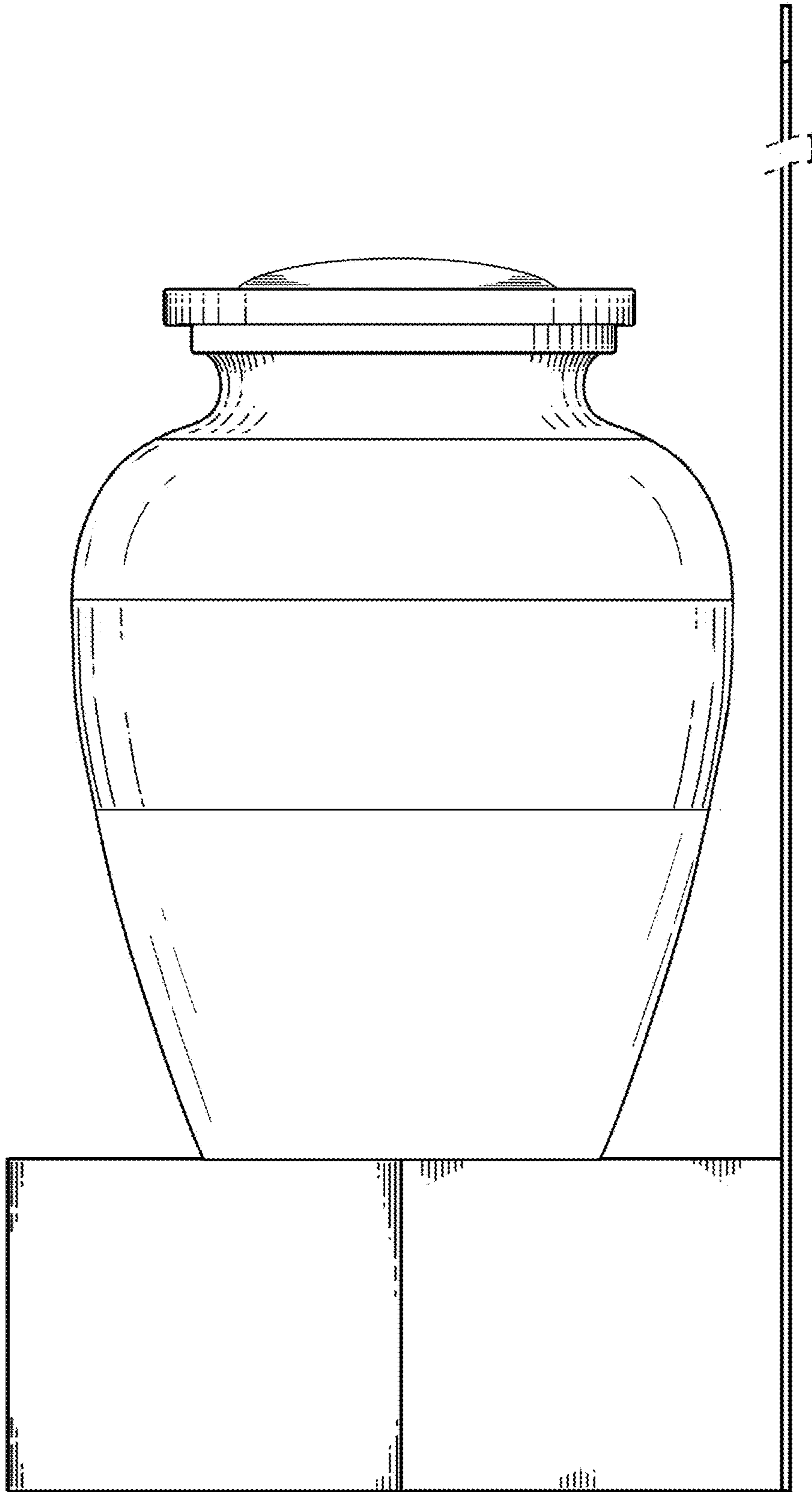


FIG.2

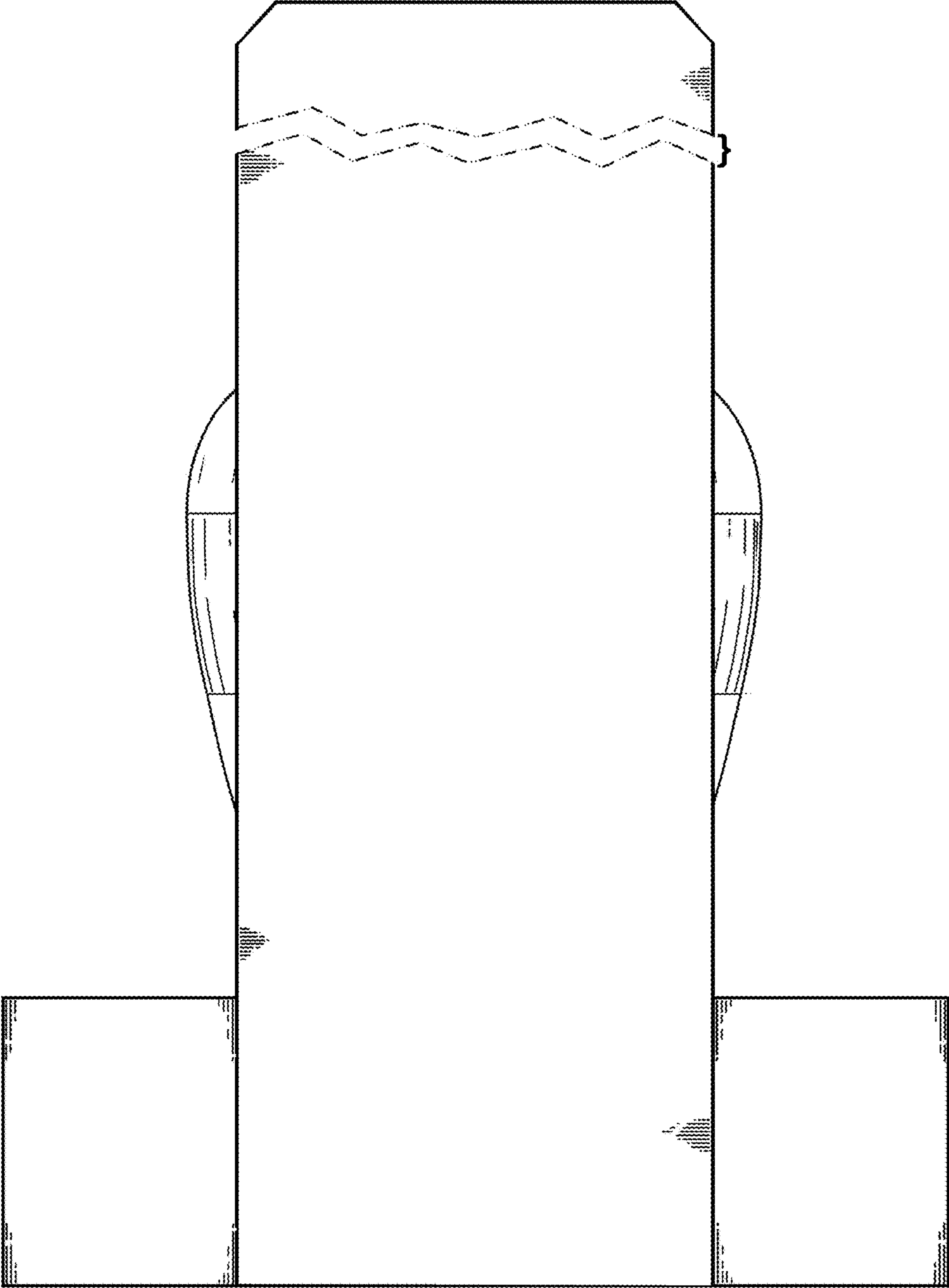
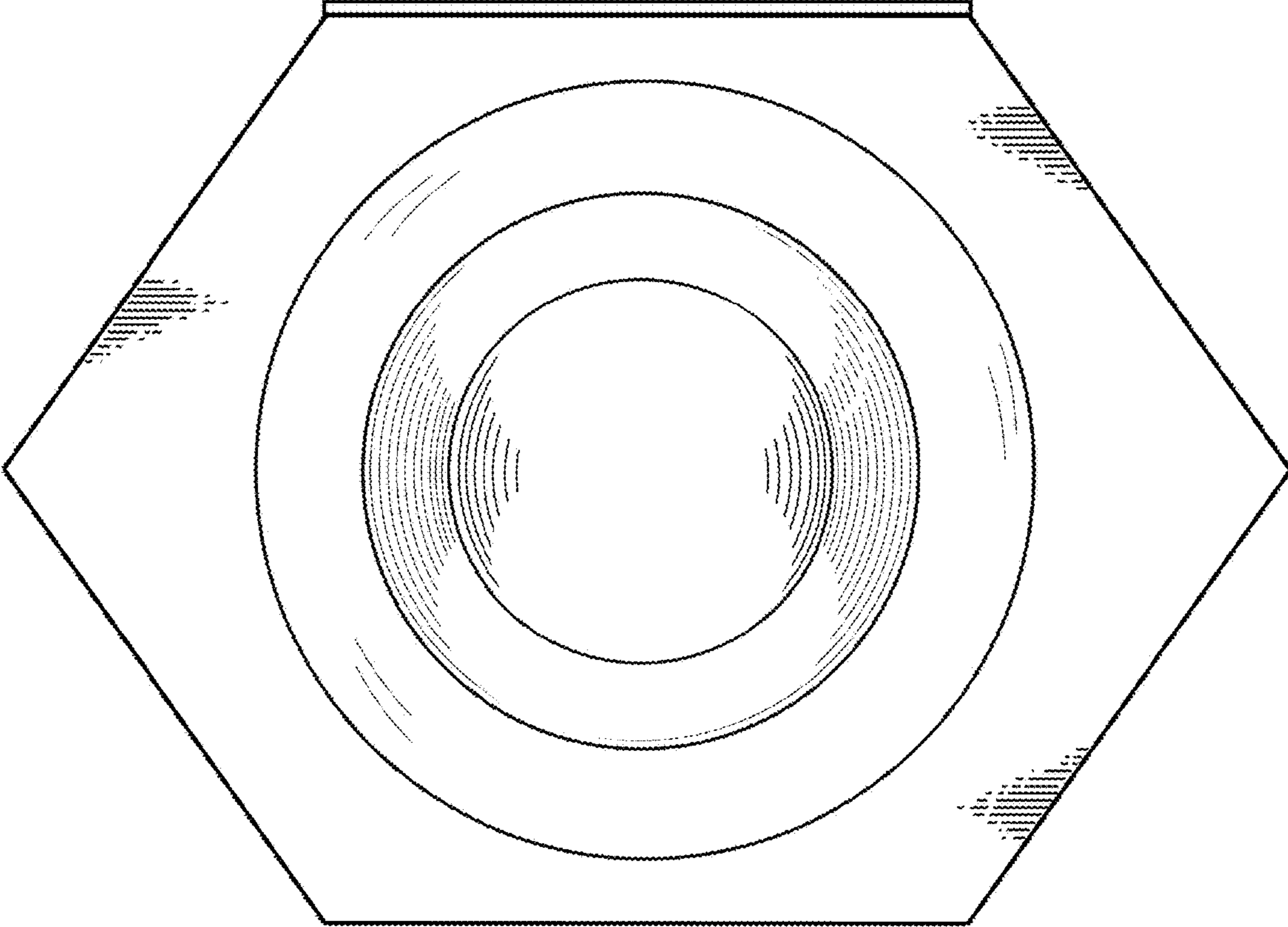


FIG.3

FIG.4



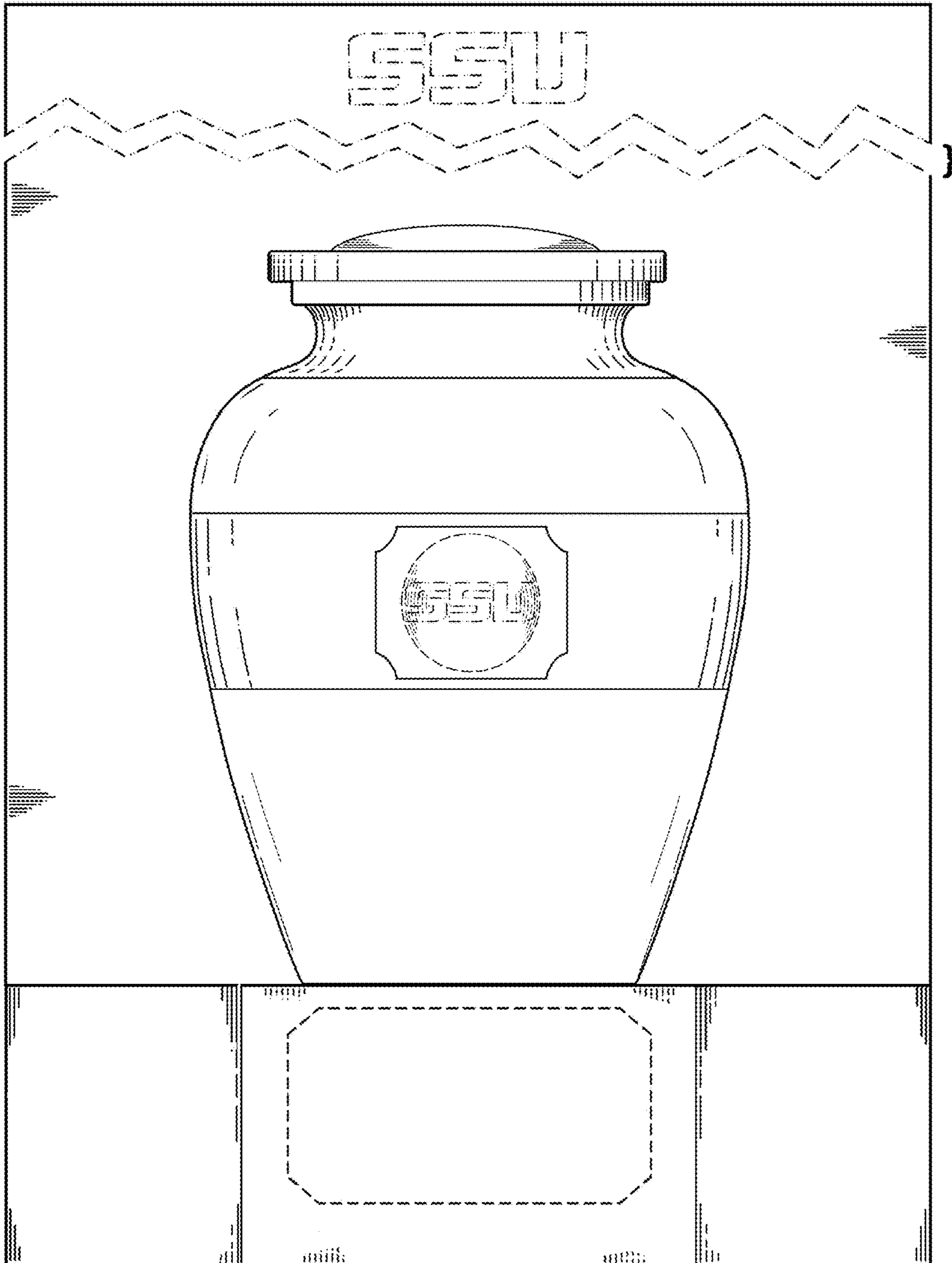


FIG.5

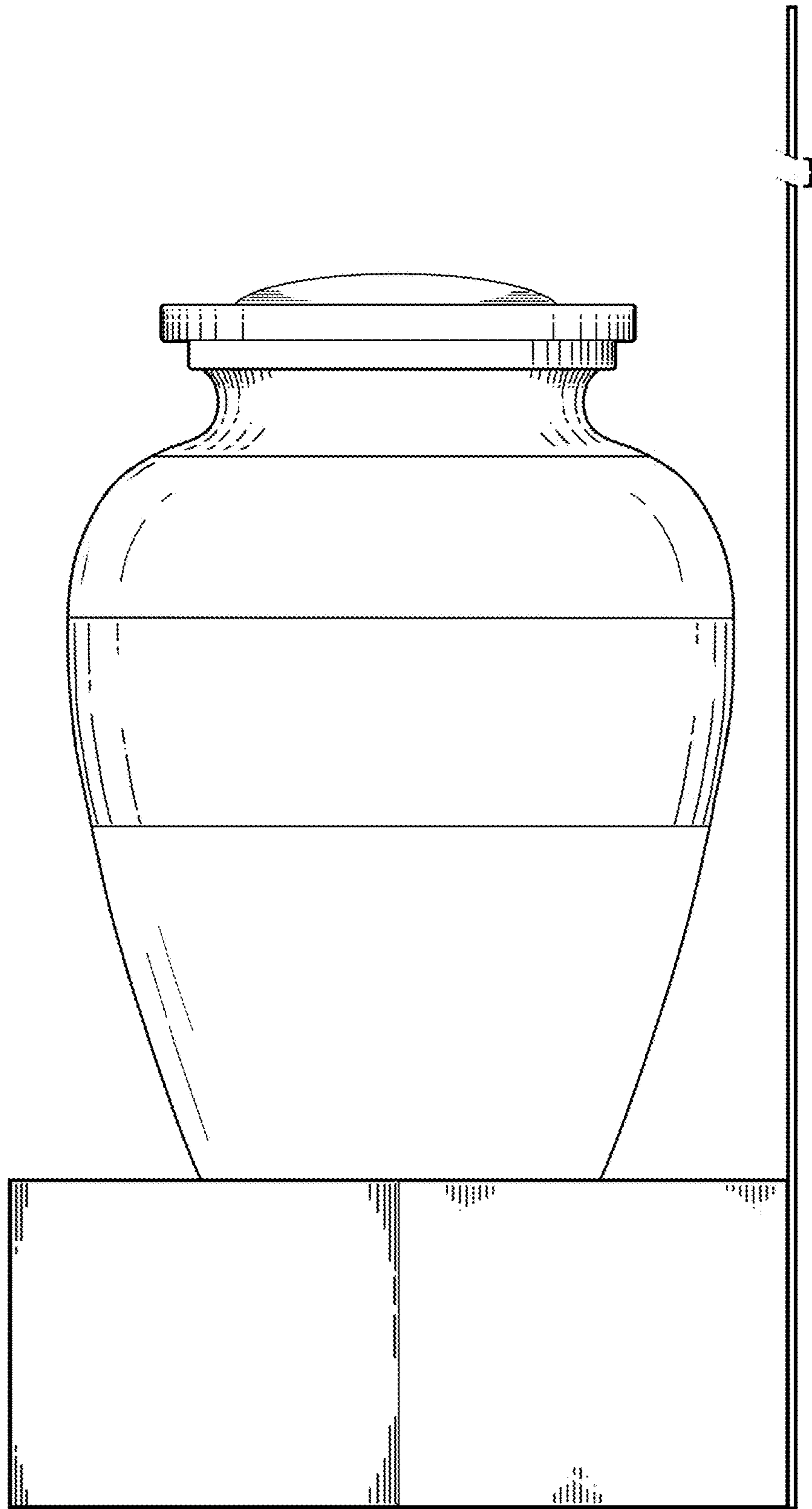


FIG. 6



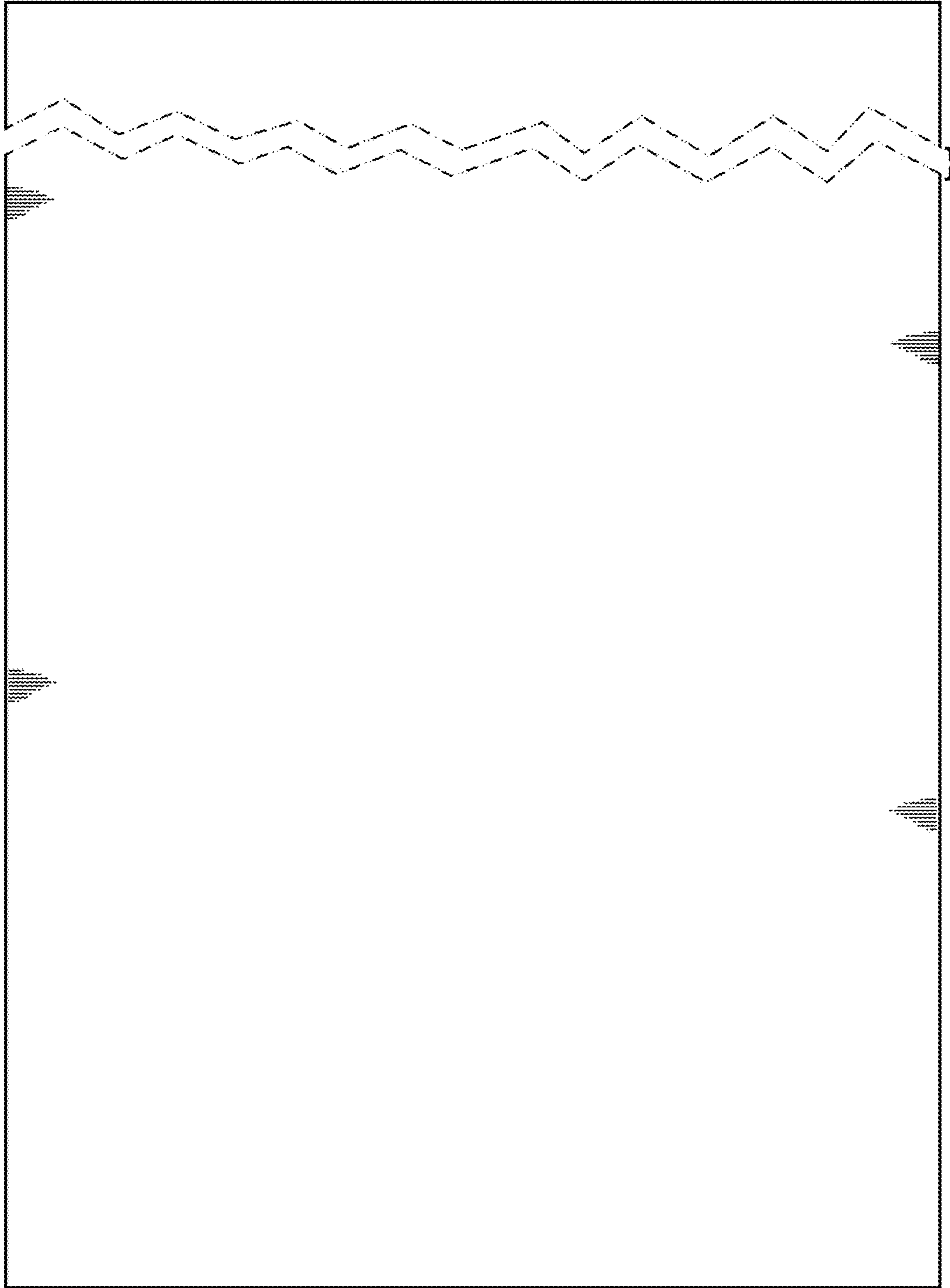


FIG. 7

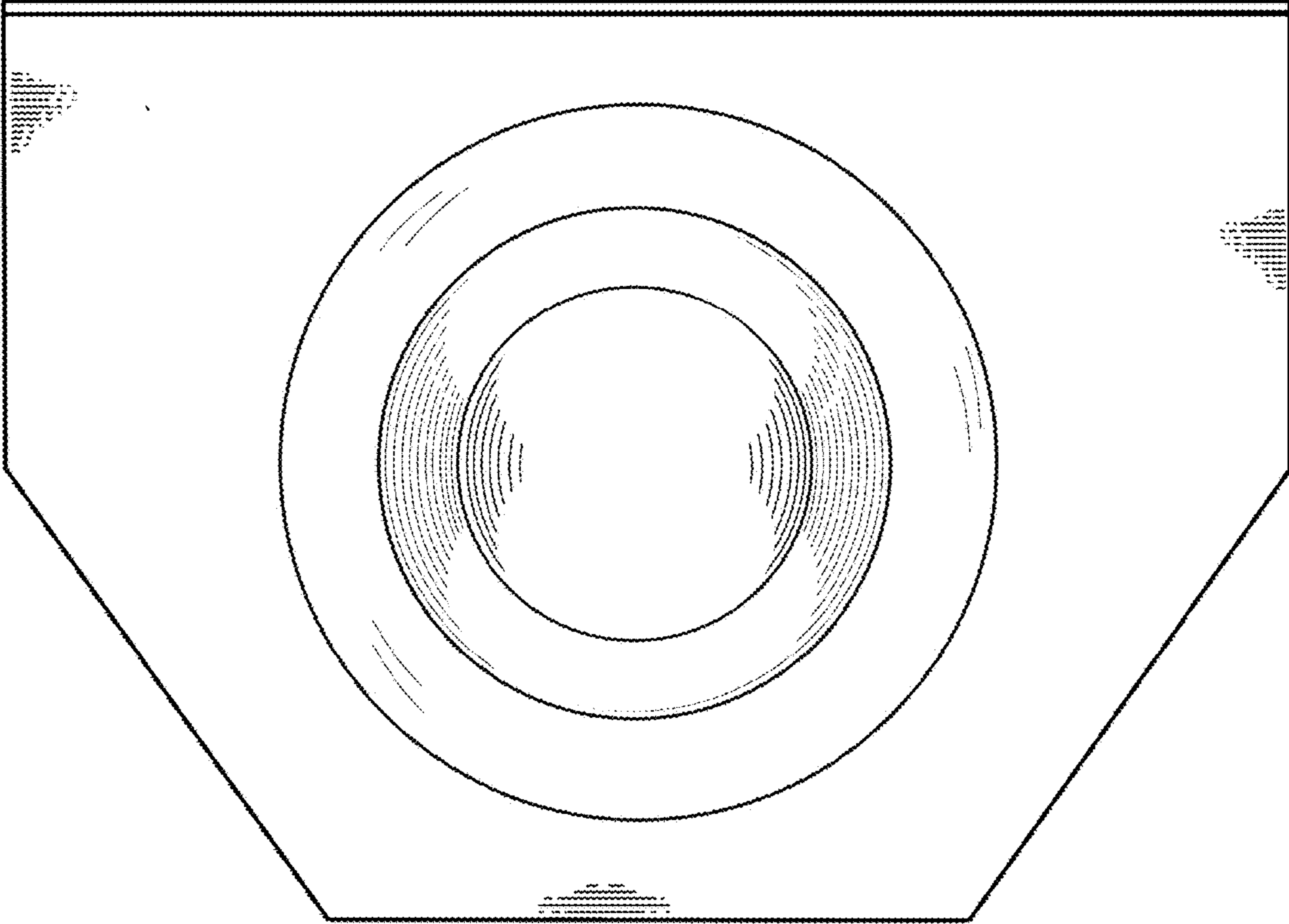


FIG. 8