



US00D841925S

(12) **United States Design Patent** (10) **Patent No.:** **US D841,925 S**
McMurtrey (45) **Date of Patent:** **** Feb. 26, 2019**

(54) **CART BRACKET**

(71) Applicant: **Unarco Industries LLC**, Wagoner, OK (US)

(72) Inventor: **Wesley McMurtrey**, Bixby, OK (US)

(73) Assignee: **Unarco Industries LLC**, Wagoner, OK (US)

(**) Term: **15 Years**

(21) Appl. No.: **29/604,627**

(22) Filed: **May 18, 2017**

(51) **LOC (11) Cl.** **12-02**

(52) **U.S. Cl.**
USPC **D34/27**

(58) **Field of Classification Search**
USPC D34/27; D7/620, 622
CPC B62B 3/148; B62B 3/1468; B62B 3/1484
See application file for complete search history.

(56) **References Cited**

U.S. PATENT DOCUMENTS

D357,785 S *	4/1995	Wang	D34/15
D400,678 S *	11/1998	Clark	D34/27
D429,050 S *	8/2000	Houry	D3/318
D583,123 S *	12/2008	Cassin, III	D34/27
8,534,520 B1 *	9/2013	Liparoti	B62B 3/1428 224/277
D714,012 S *	9/2014	Fredendall	D34/27
D779,764 S *	2/2017	Thorsen	D34/27
D806,976 S *	1/2018	Peota	D34/27

* cited by examiner

Primary Examiner — Cynthia Ramirez

(74) *Attorney, Agent, or Firm* — Banner & Witcoff, Ltd.

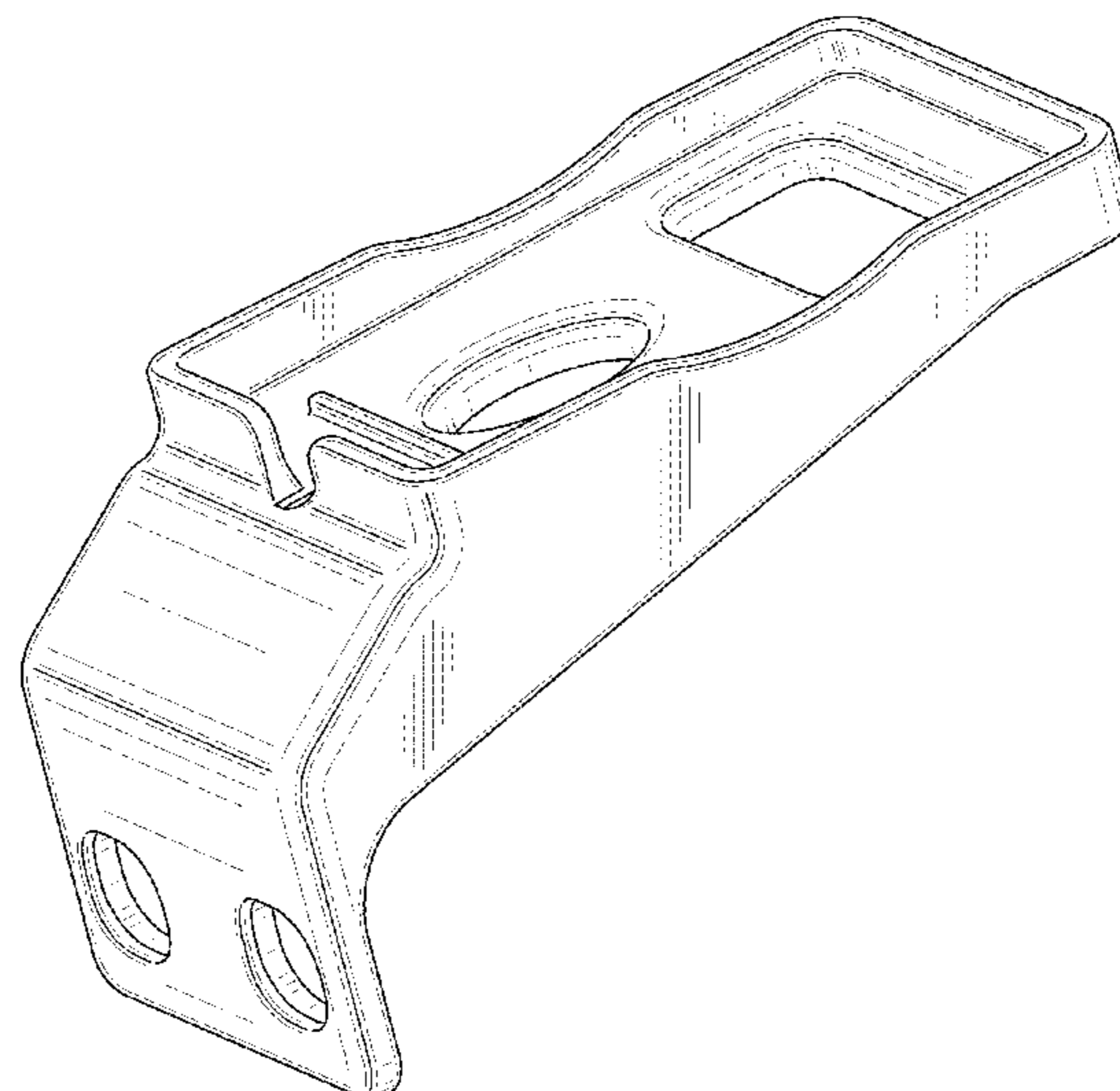
(57) **CLAIM**

The ornamental design for a cart bracket, as shown and described.

DESCRIPTION

FIG. 1 is a top, front, right, perspective view of a cart bracket showing my new design;
 FIG. 2 is a front view thereof;
 FIG. 3 is a rear view thereof;
 FIG. 4 is a right side view thereof;
 FIG. 5 is a left side view thereof;
 FIG. 6 is a top view thereof;
 FIG. 7 is a bottom view thereof;
 FIG. 8 is an alternate top, front, right, perspective view of a cart bracket shown in an exemplary environment;
 FIG. 9 is a front view thereof;
 FIG. 10 is a rear view;
 FIG. 11 is a right side view thereof;
 FIG. 12 is a left side view;
 FIG. 13 is a top view thereof; and,
 FIG. 14 is a bottom view thereof.
 The broken lines immediately adjacent to the shaded area represent unclaimed boundaries of the design. The broken lines showing a cart in FIGS. 8 through 14 are for environmental purposes only and form no part of the claimed design.

1 Claim, 14 Drawing Sheets



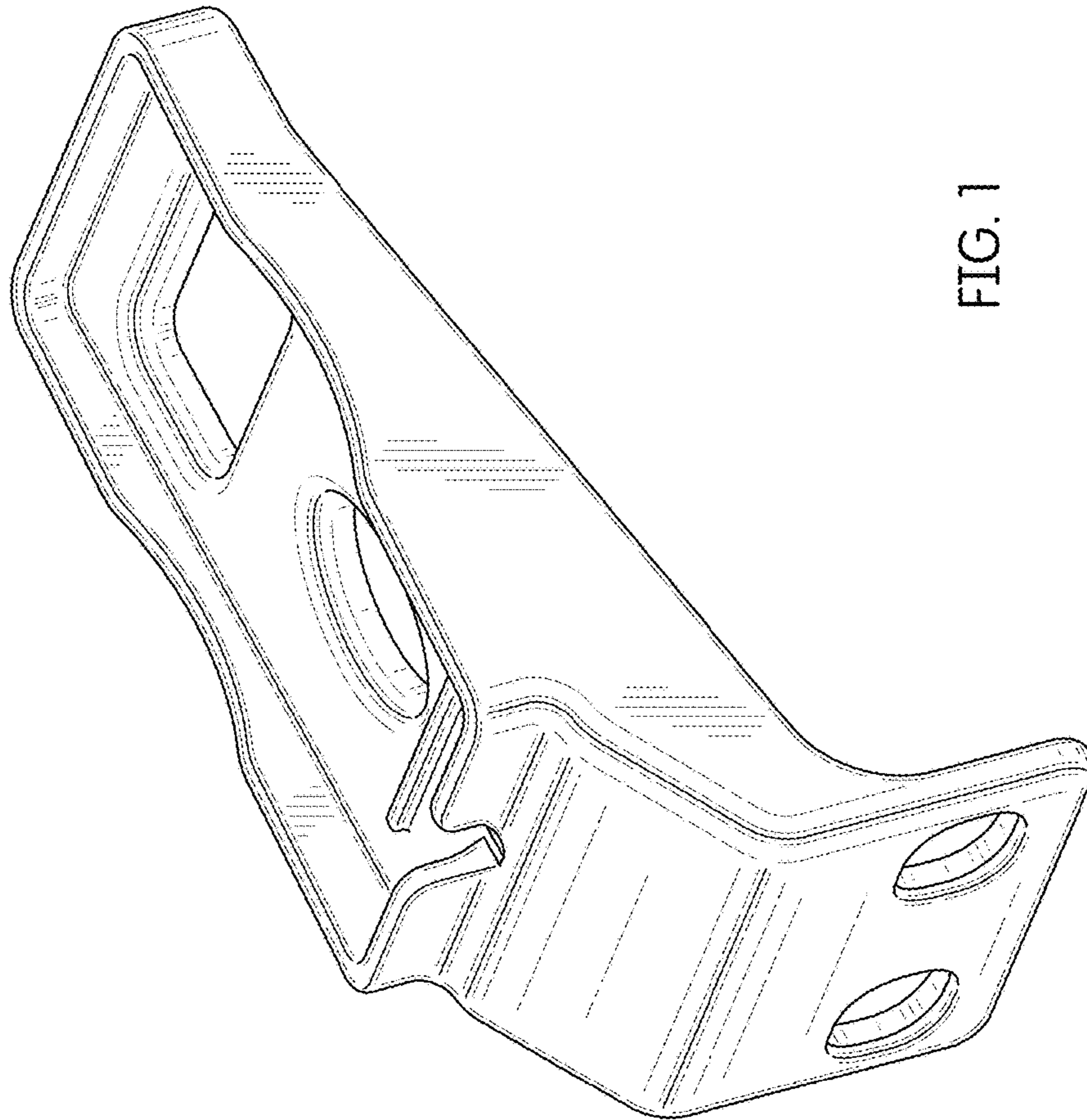


FIG. 1

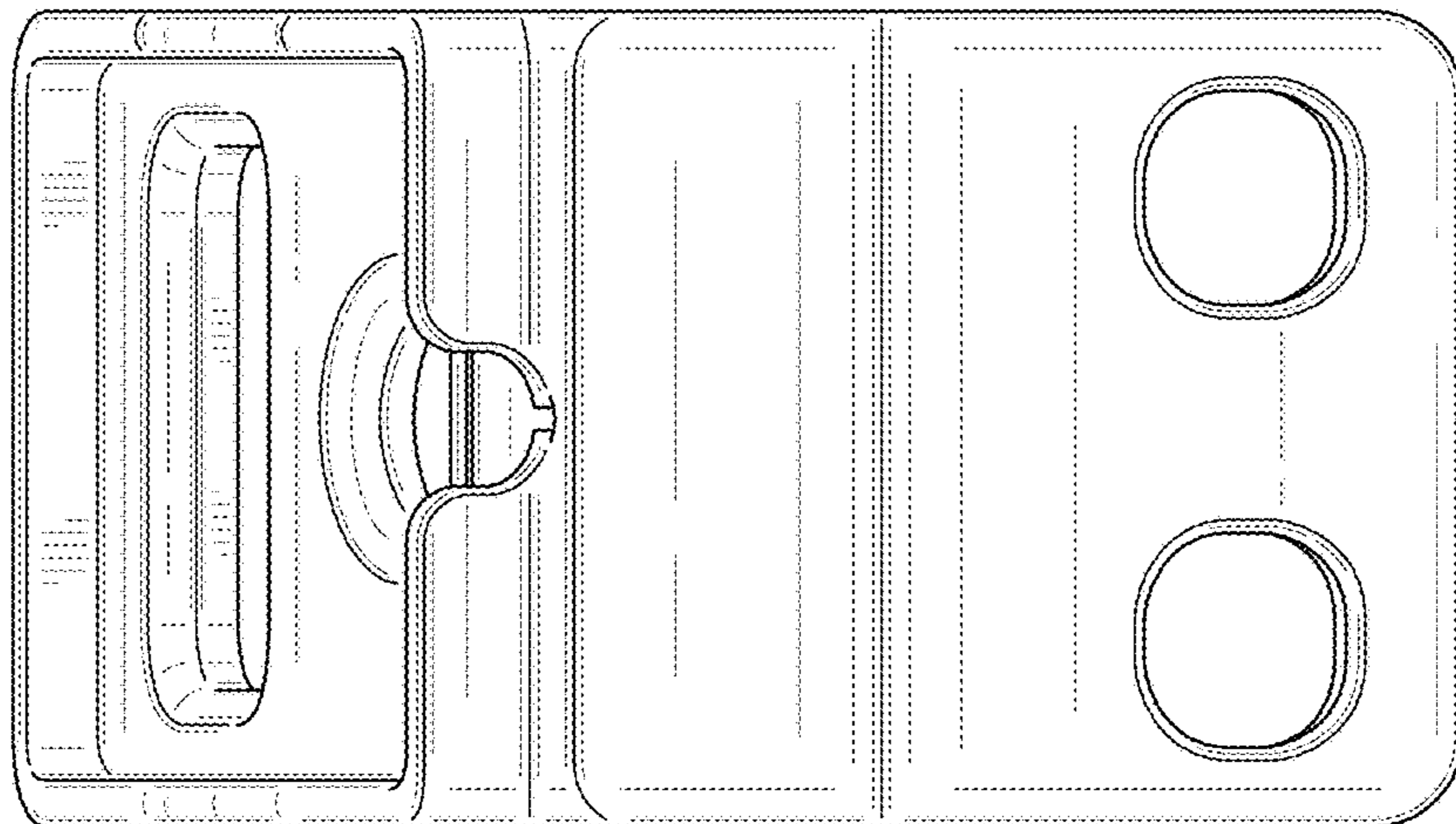


FIG. 2

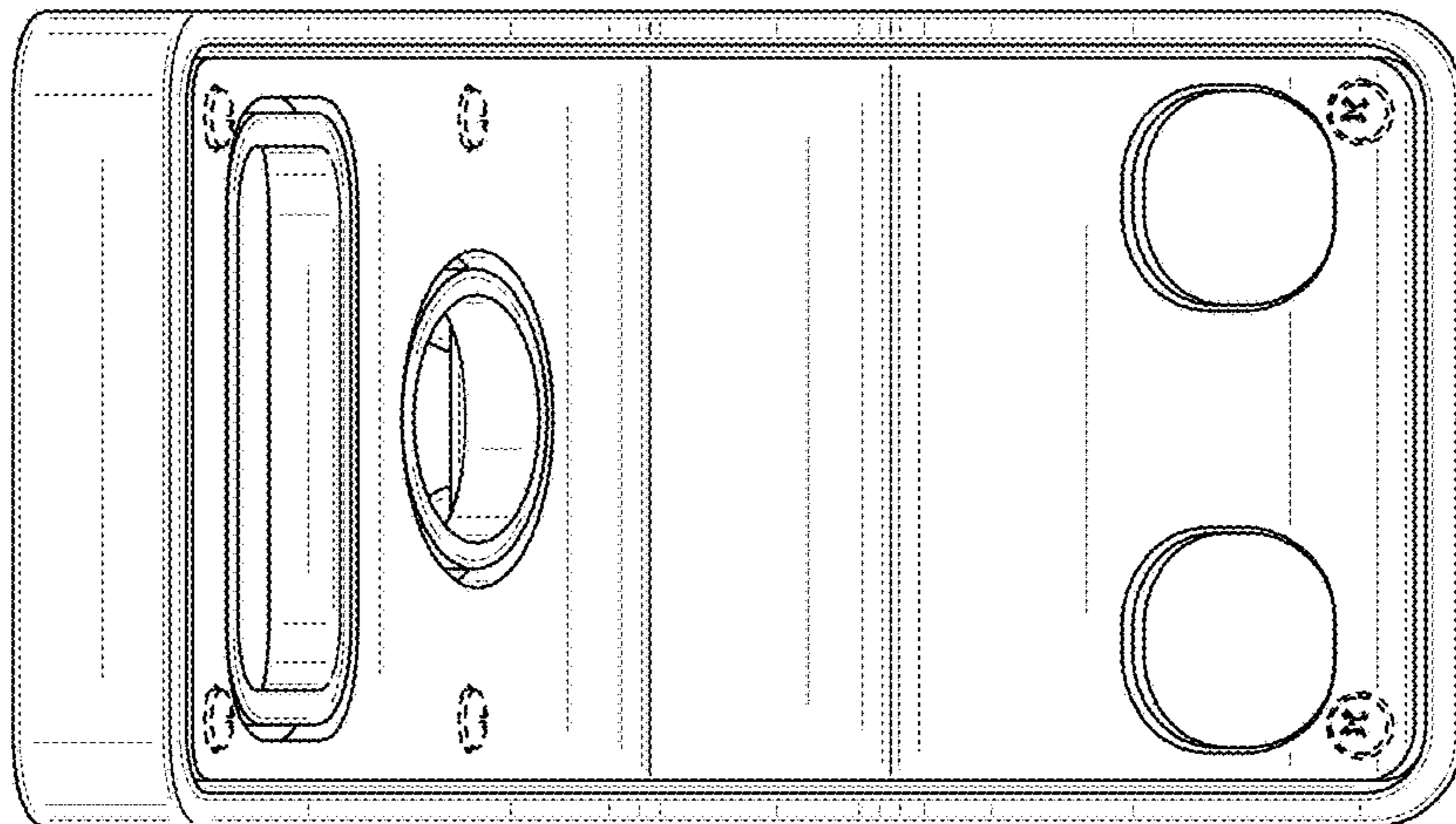


FIG. 3

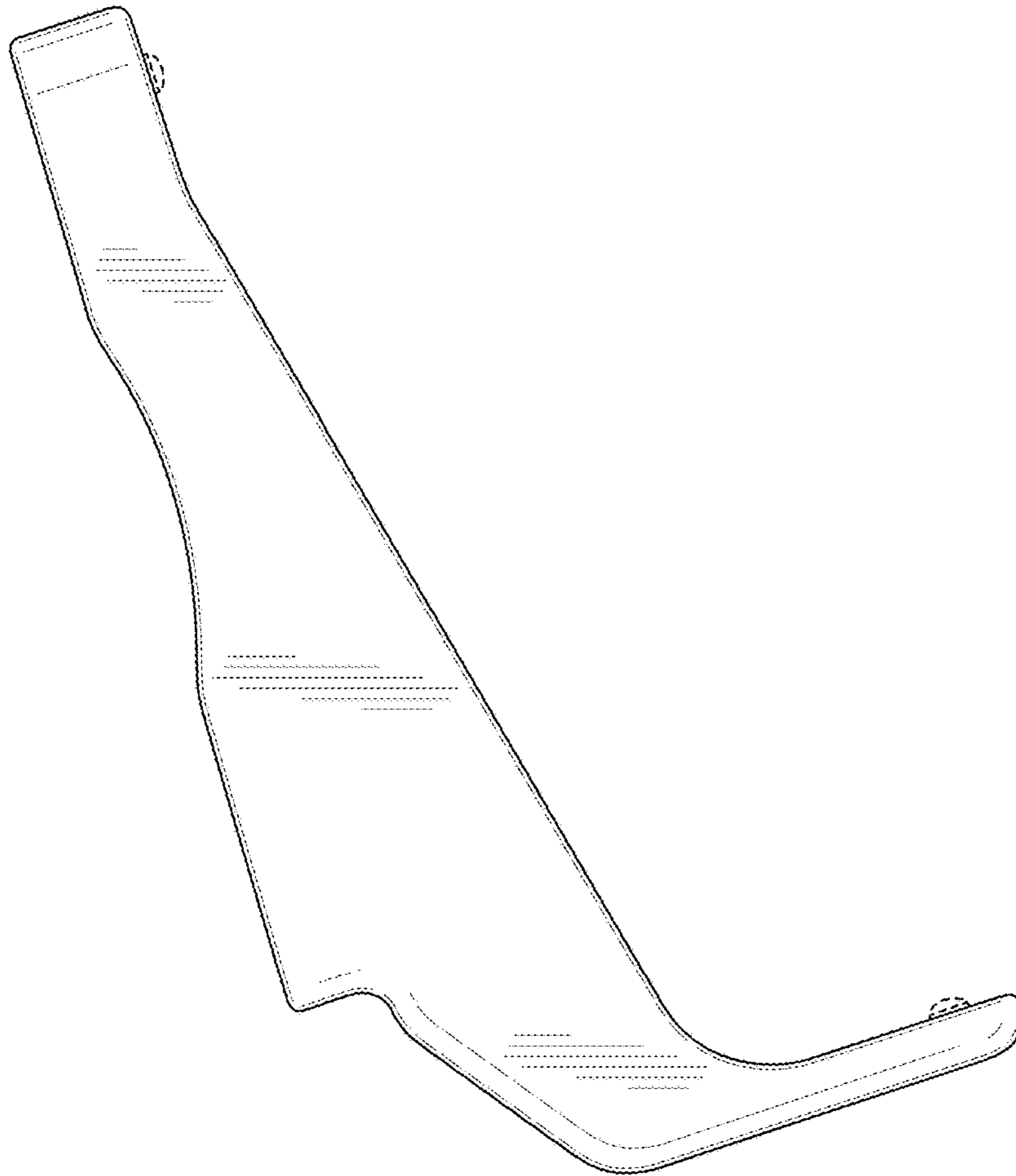


FIG. 4

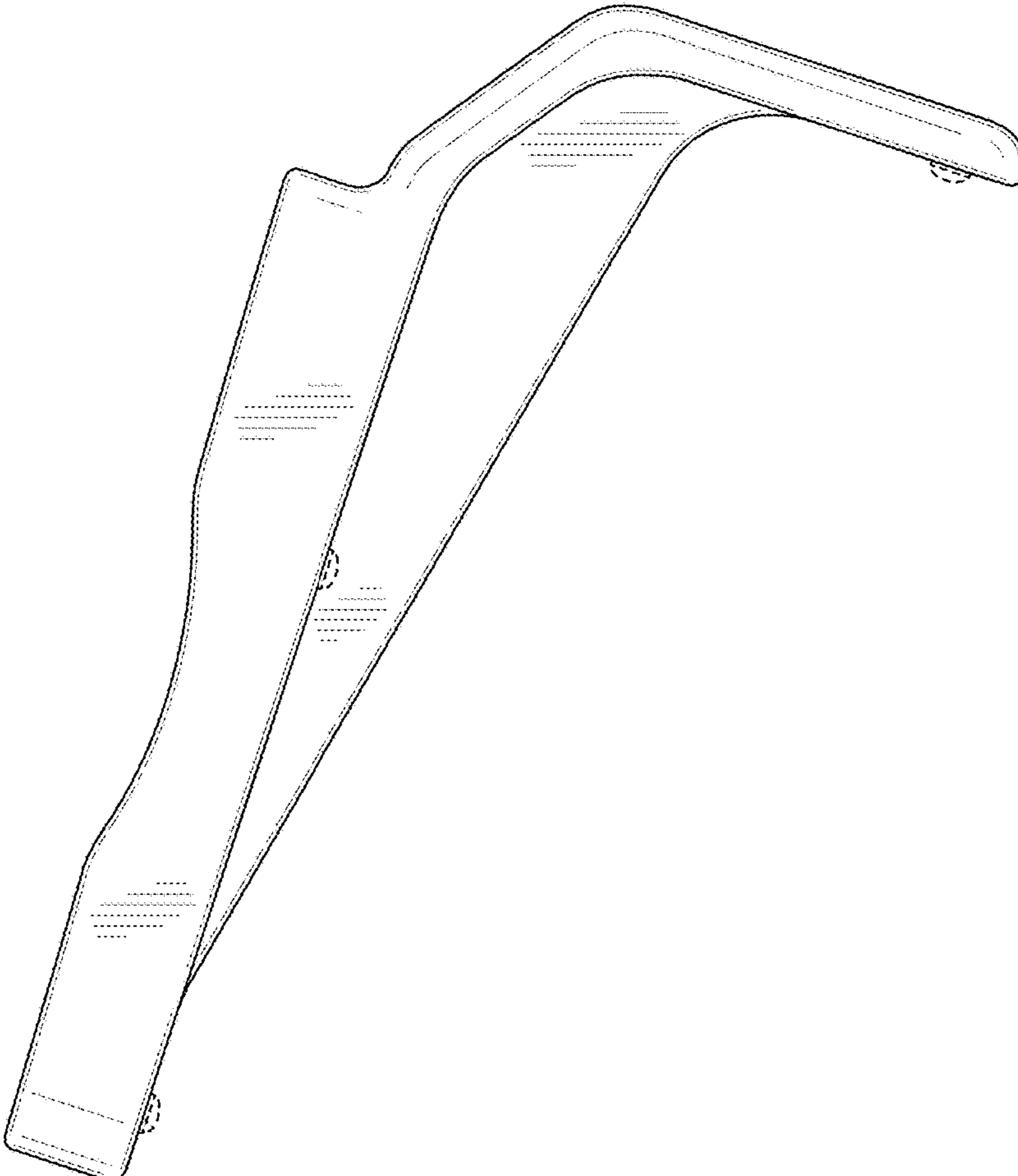


FIG. 5

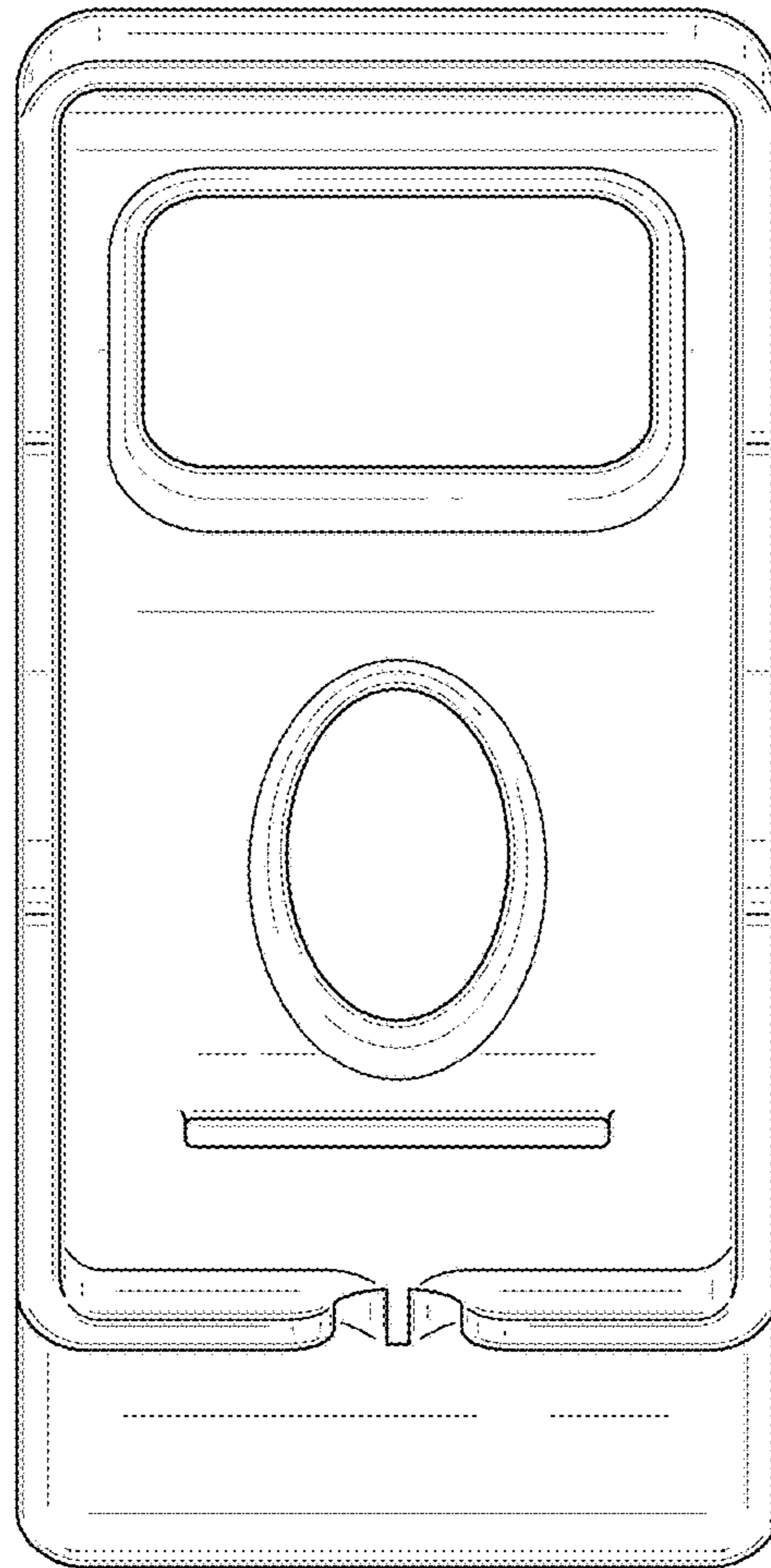


FIG. 6

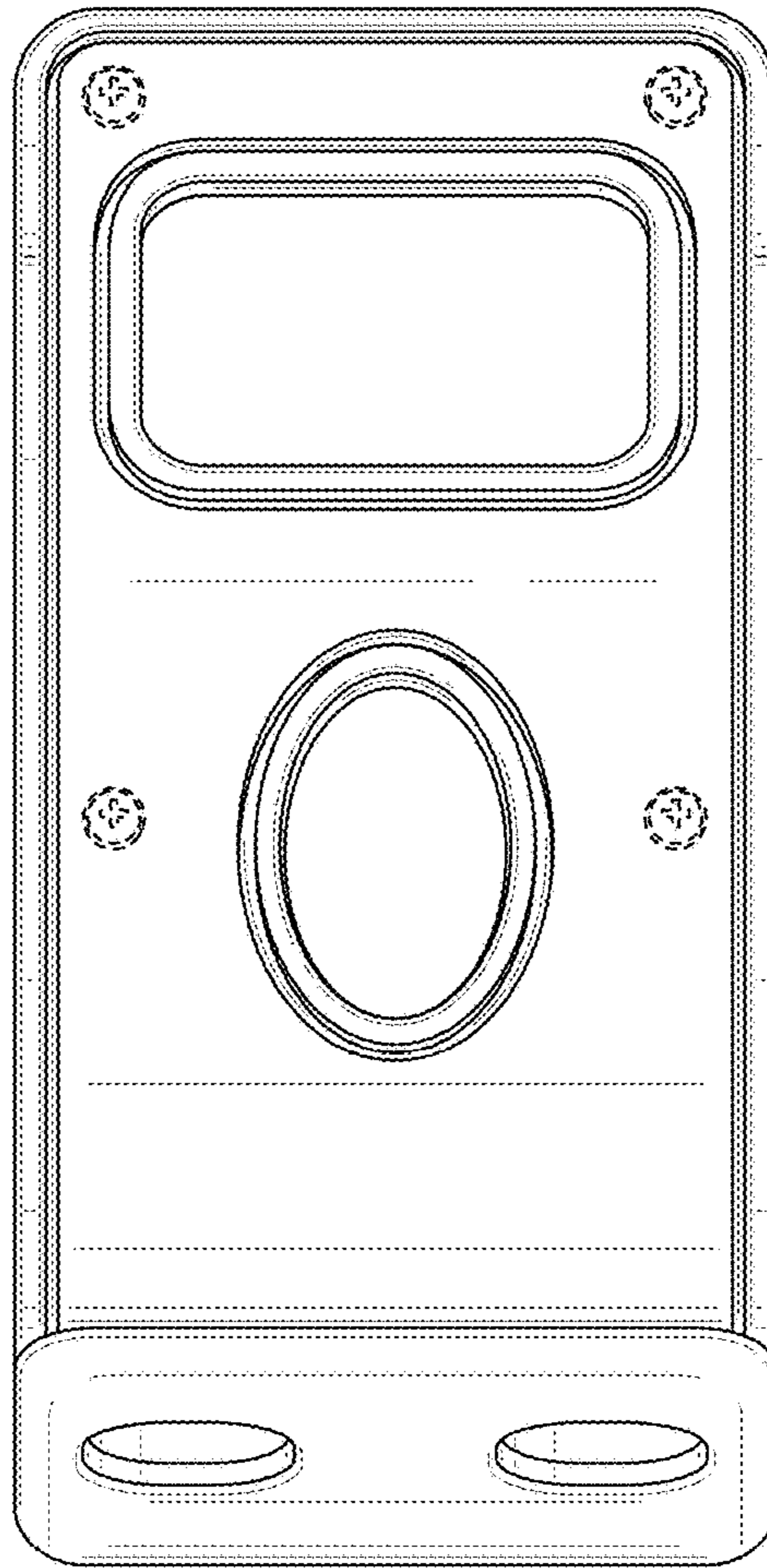


FIG. 7

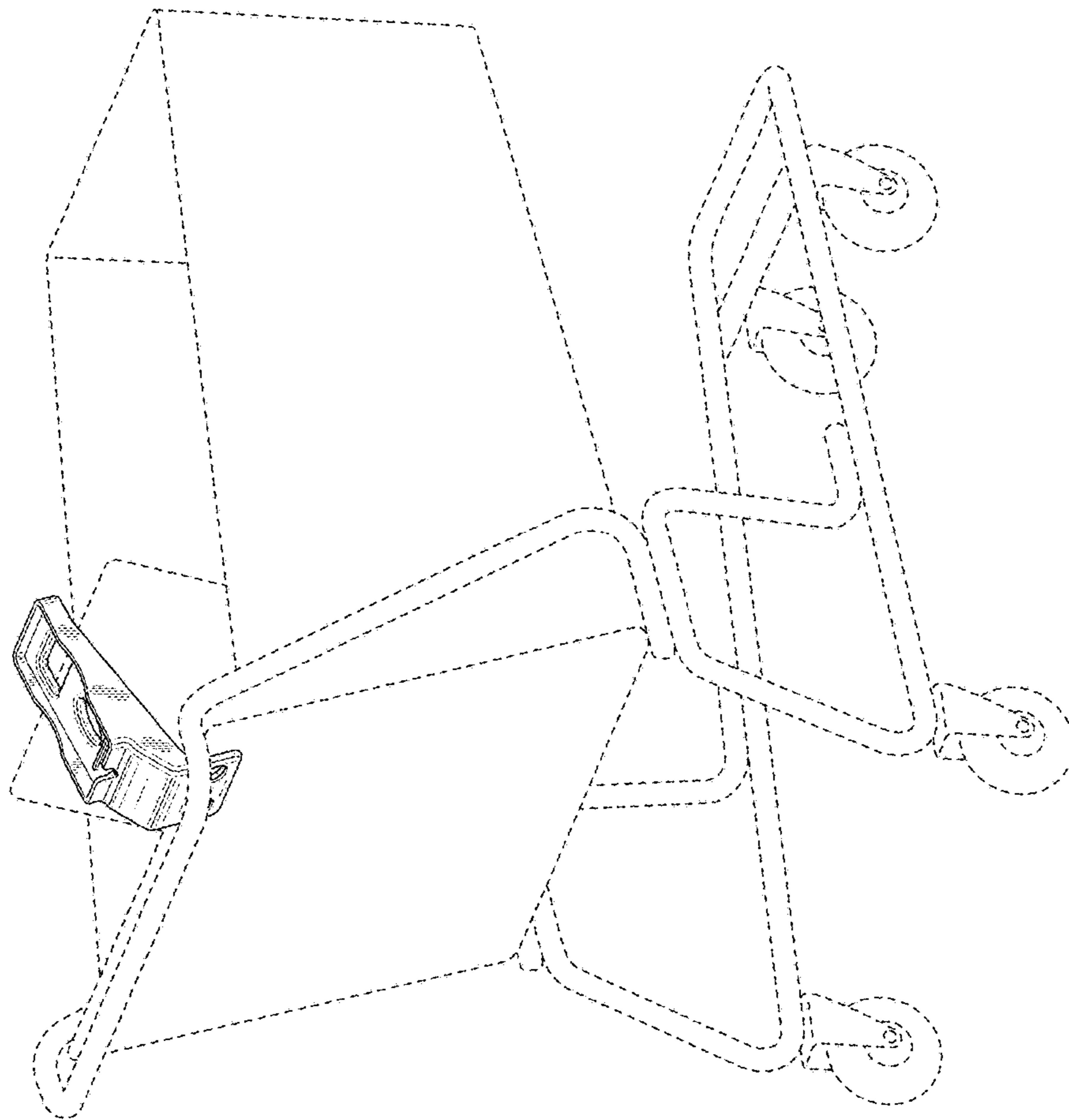


FIG. 8

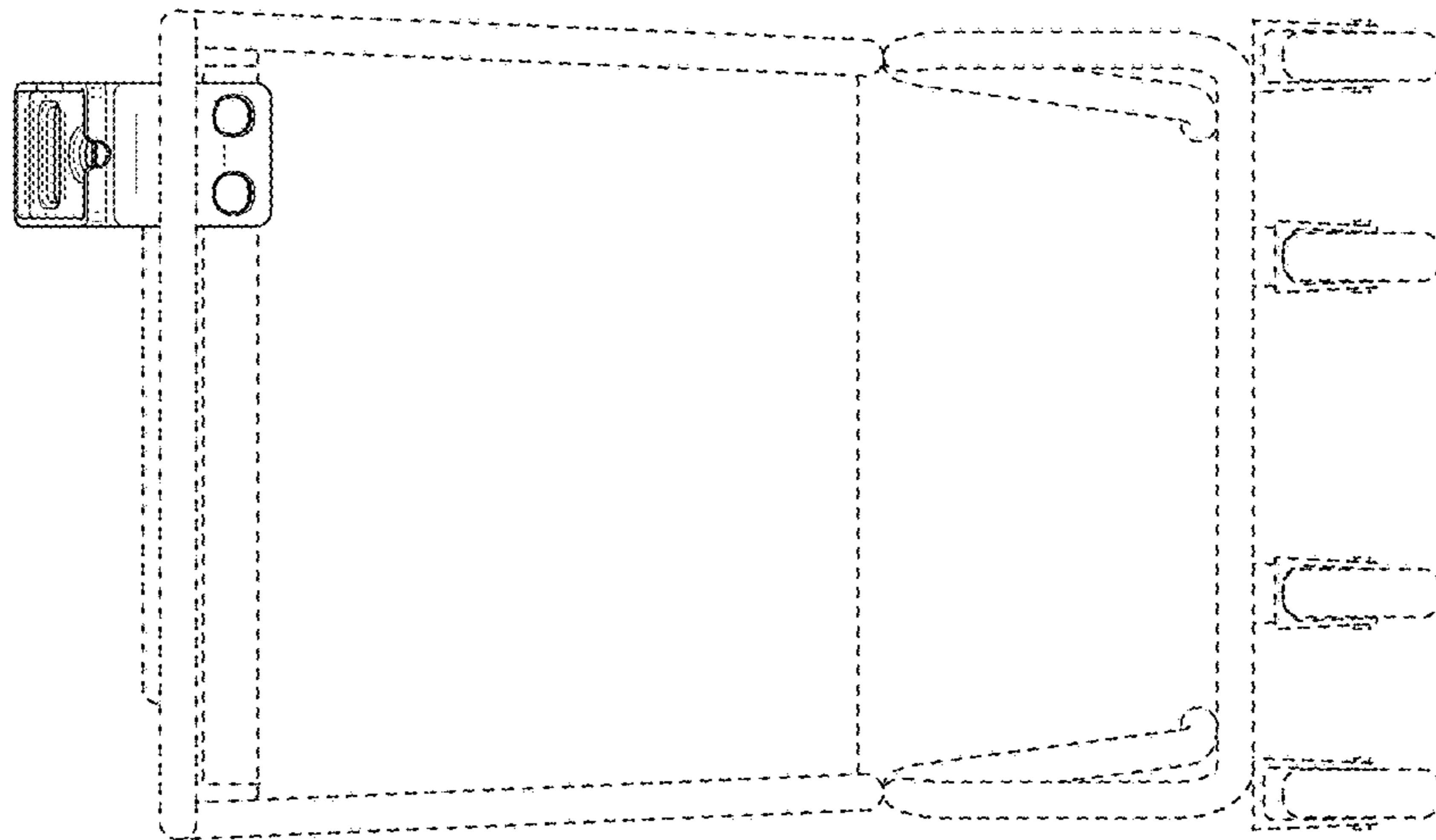


FIG. 9

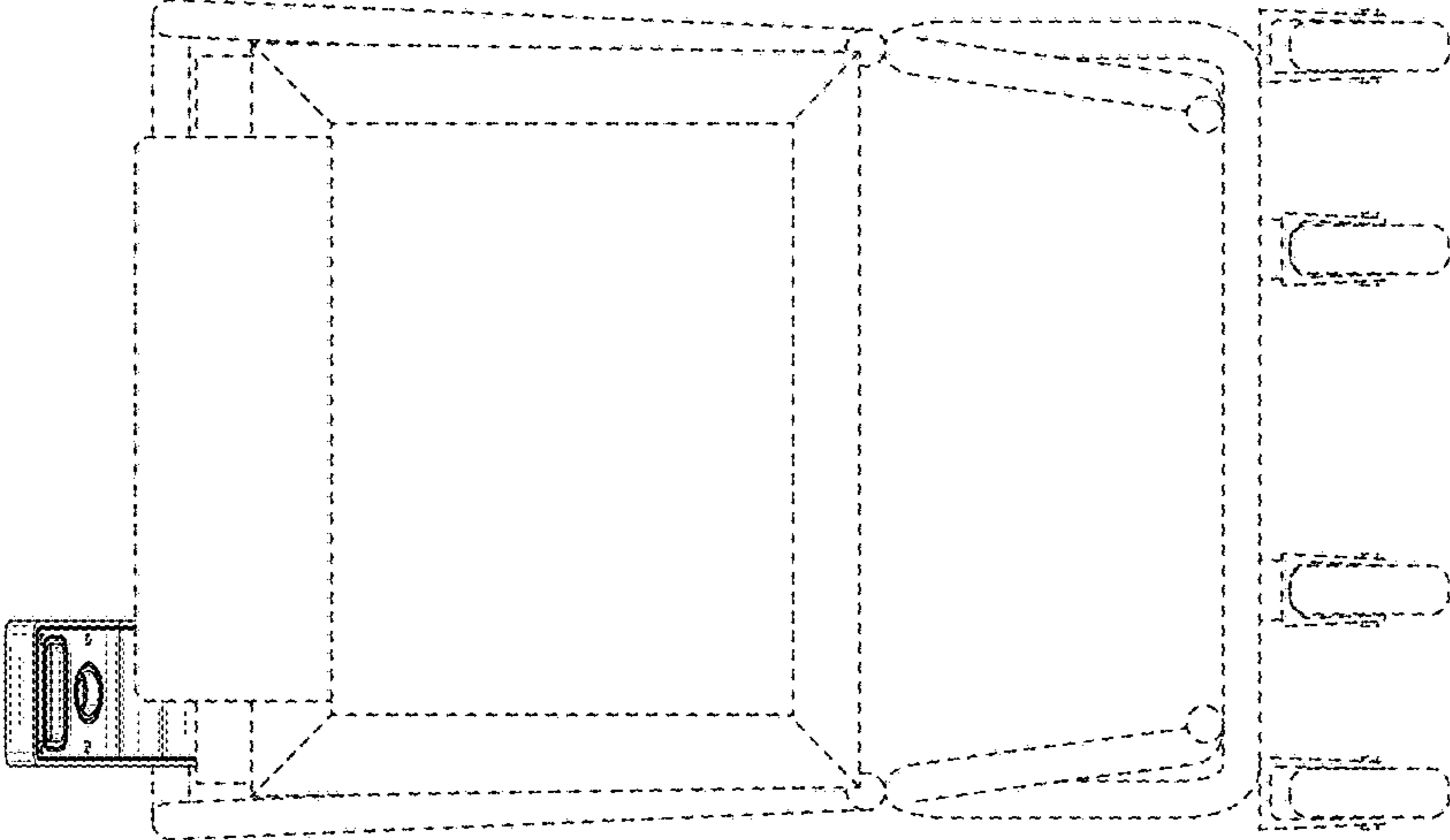


FIG. 10

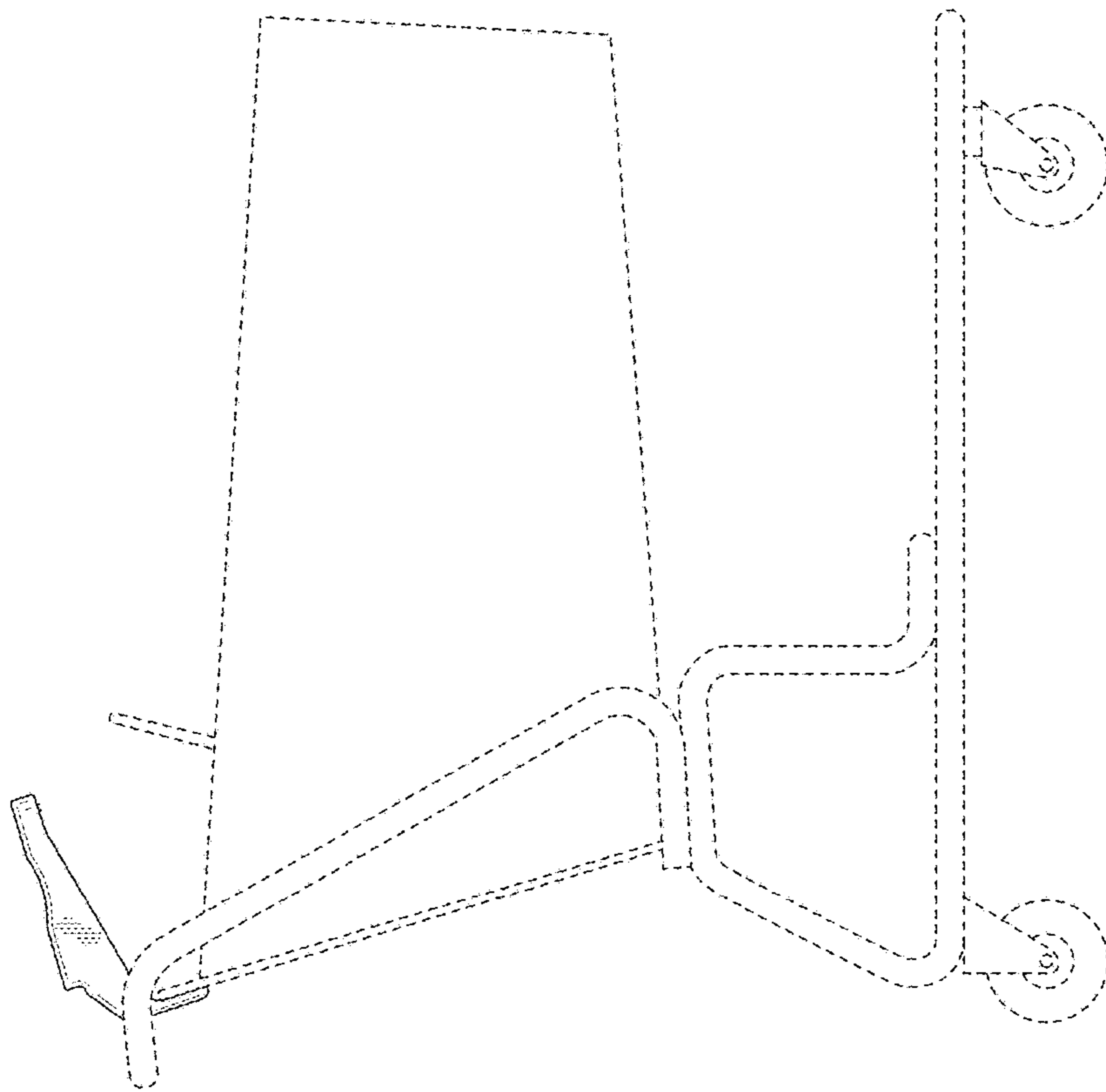


FIG. 11

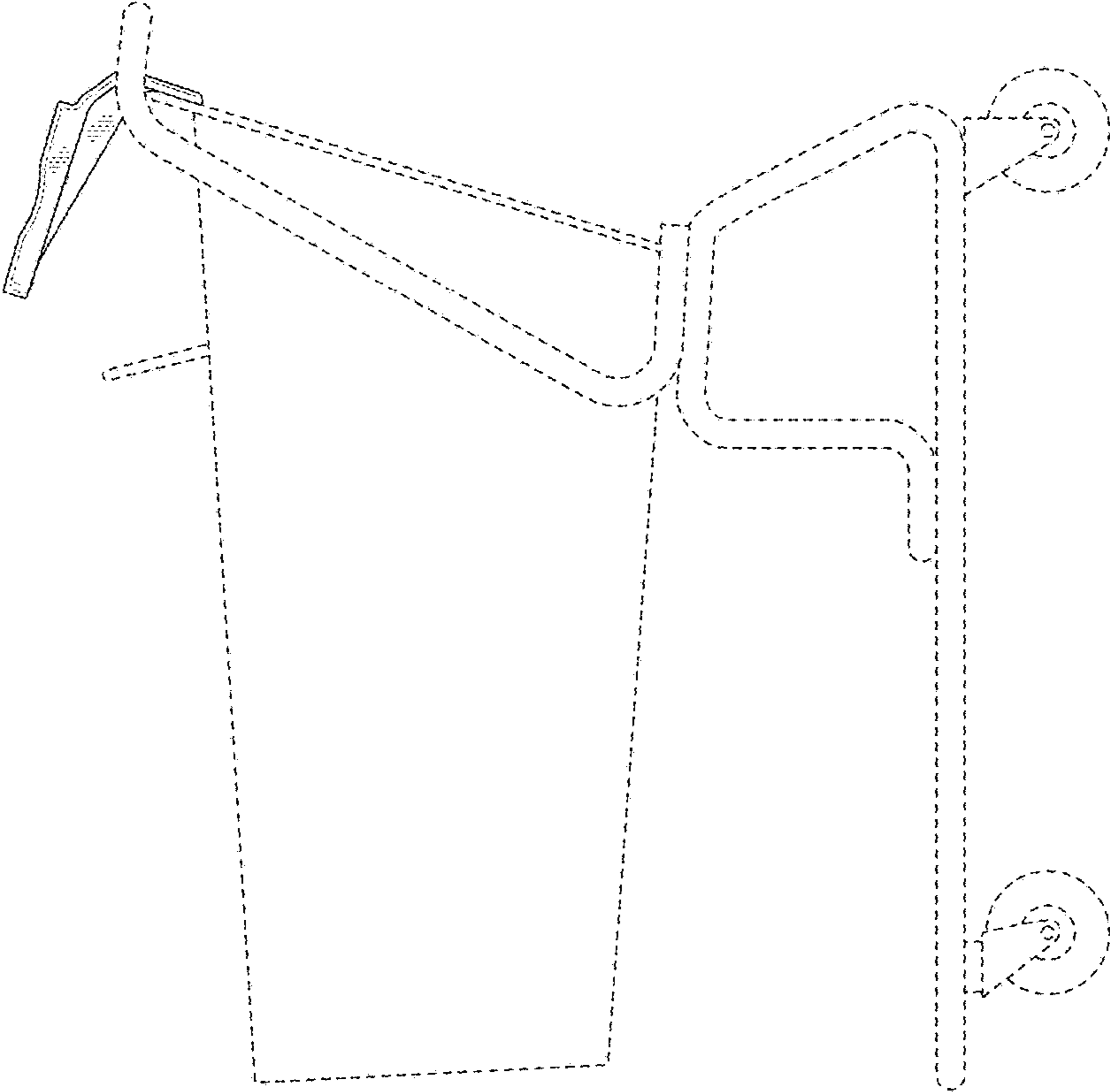


FIG. 12

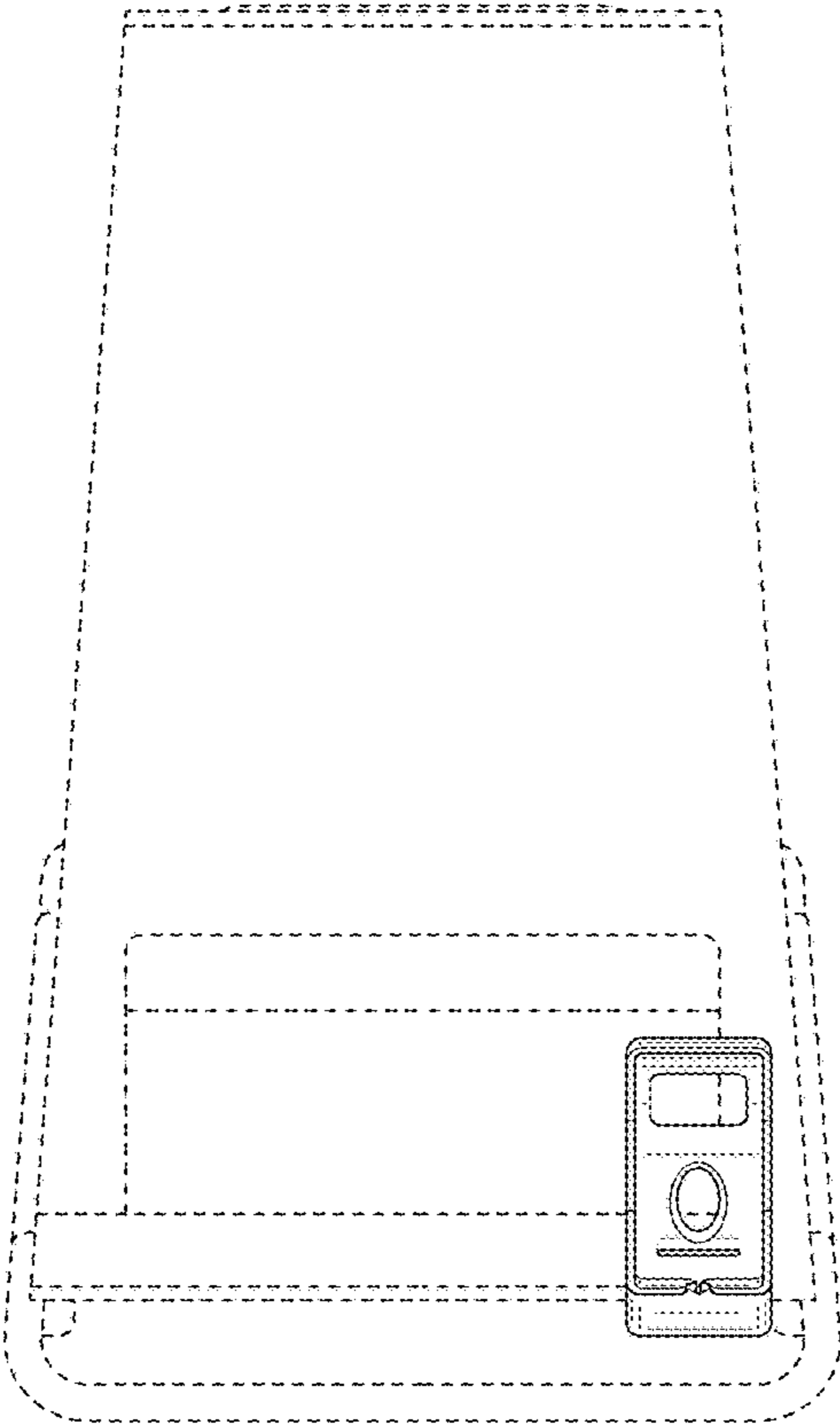


FIG. 13

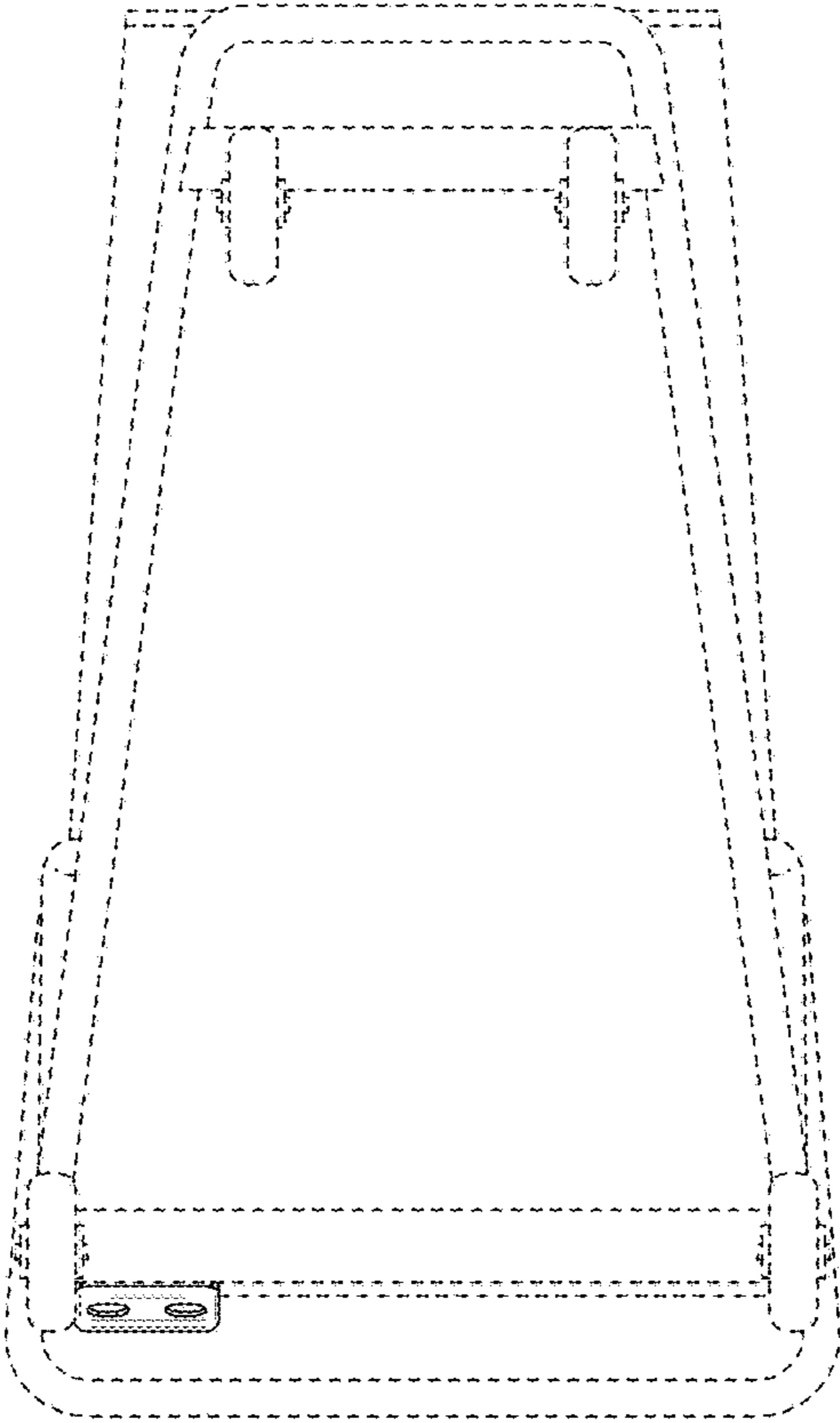


FIG. 14