



US00D841920S

(12) **United States Design Patent** (10) **Patent No.:** **US D841,920 S**
Bajuyo (45) **Date of Patent:** **** *Feb. 26, 2019**

(54) **PAIL**

(71) Applicant: **Antonio Bajuyo**, South Bend, IN (US)

(72) Inventor: **Antonio Bajuyo**, South Bend, IN (US)

(*) Notice: This patent is subject to a terminal disclaimer.

(**) Term: **15 Years**

(21) Appl. No.: **29/609,204**

(22) Filed: **Jun. 29, 2017**

Related U.S. Application Data

(60) Division of application No. 29/572,128, filed on Jul. 25, 2016, now Pat. No. Des. 794,891, which is a continuation of application No. 29/546,939, filed on Nov. 30, 2015, now Pat. No. Des. 765,934, which is a continuation of application No. 29/518,786, filed on Feb. 27, 2015, now Pat. No. Des. 748,357.

(51) **LOC (11) Cl.** **07-07**

(52) **U.S. Cl.**
USPC **D32/53**

(58) **Field of Classification Search**
USPC D32/53, 53.1, 54, 74; 15/260-264, 15/119.1, 120.1, 257.1; D9/429; 220/904, 659, 770, 752, 753, 696
CPC A47J 47/18; A47L 13/58; B65D 37/00
See application file for complete search history.

(56) **References Cited**

U.S. PATENT DOCUMENTS

D190,532 S *	6/1961	Heimsoth	D30/121
D744,185 S *	11/2015	Bajuyo	D32/53
D765,934 S *	9/2016	Bajuyo	D32/53
D794,891 S *	8/2017	Bajuyo	D32/53

* cited by examiner

Primary Examiner — Robin V Webster

(74) *Attorney, Agent, or Firm* — R. Tracy Crump

(57) **CLAIM**

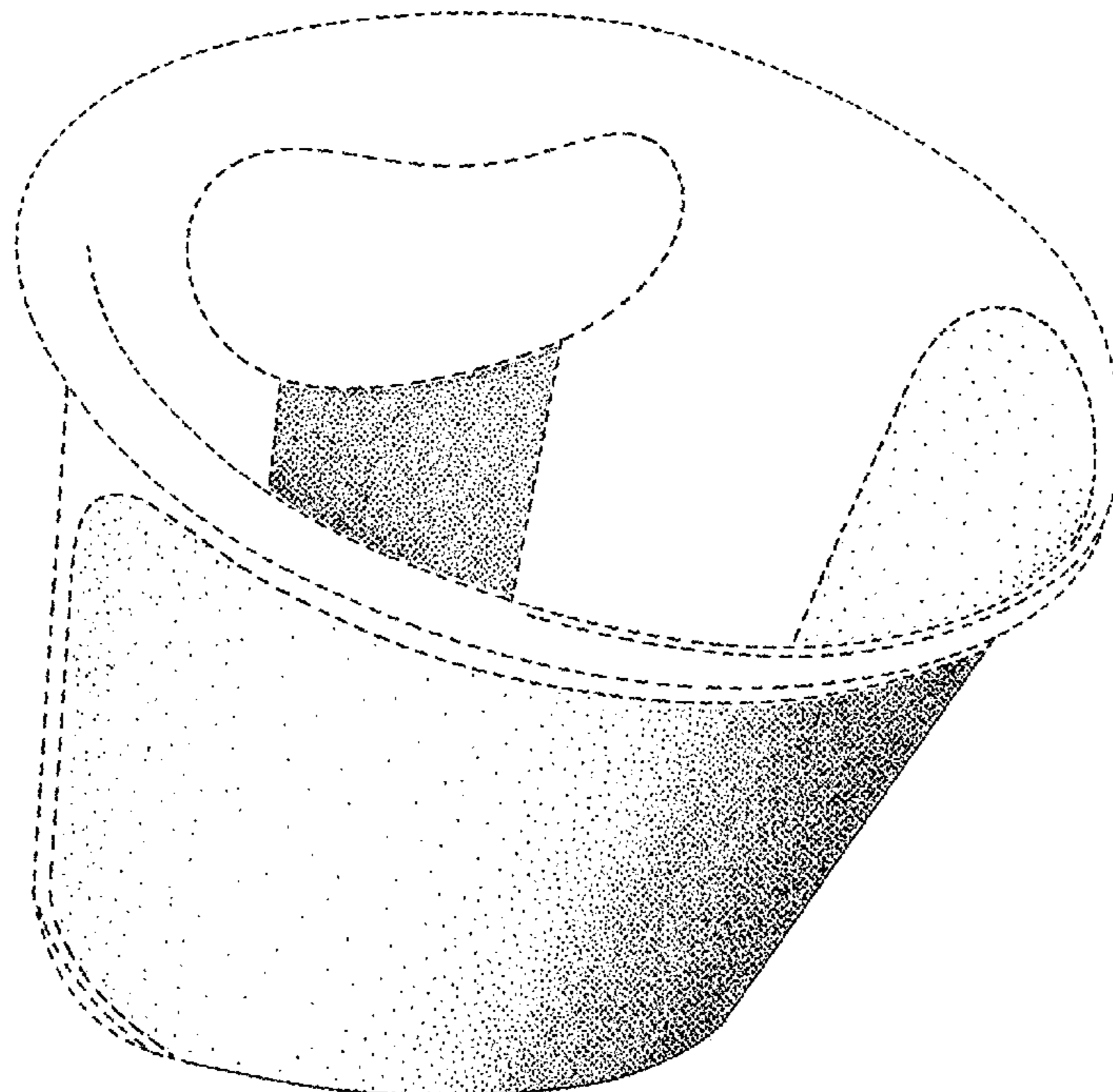
I claim the ornamental design of a pail, as shown and described.

DESCRIPTION

FIG. 1 is a perspective view of a pail showing my design; FIG. 2 is a side view thereof; FIG. 3 is a rear view thereof; FIG. 4 is a front view thereof; FIG. 5 is a top view thereof; and, FIG. 6 is a bottom view thereof.

The broken line showing of portions of the pail is included for the purpose of illustrating and forms no part of the claimed design.

1 Claim, 6 Drawing Sheets



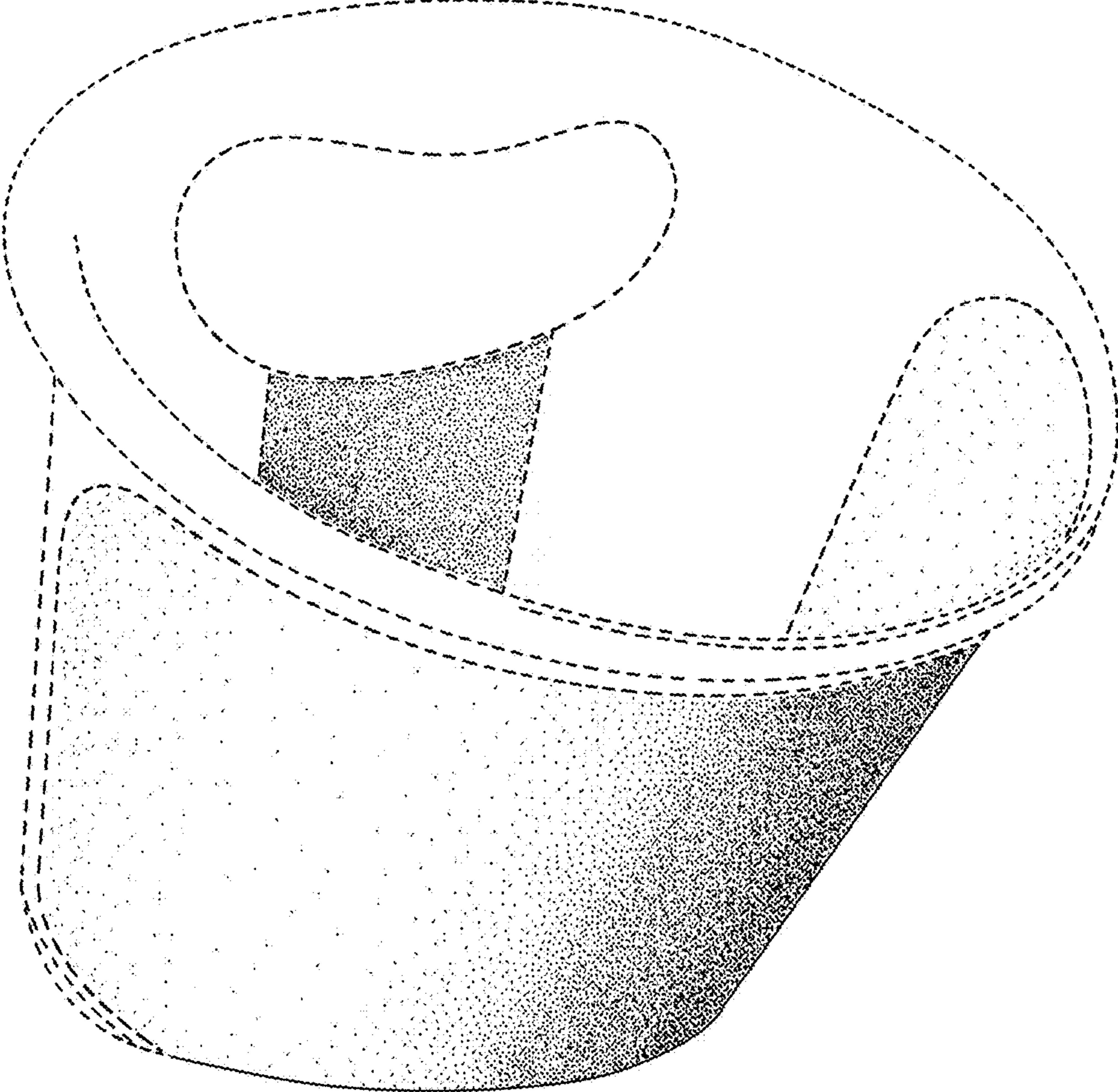


Fig. 1

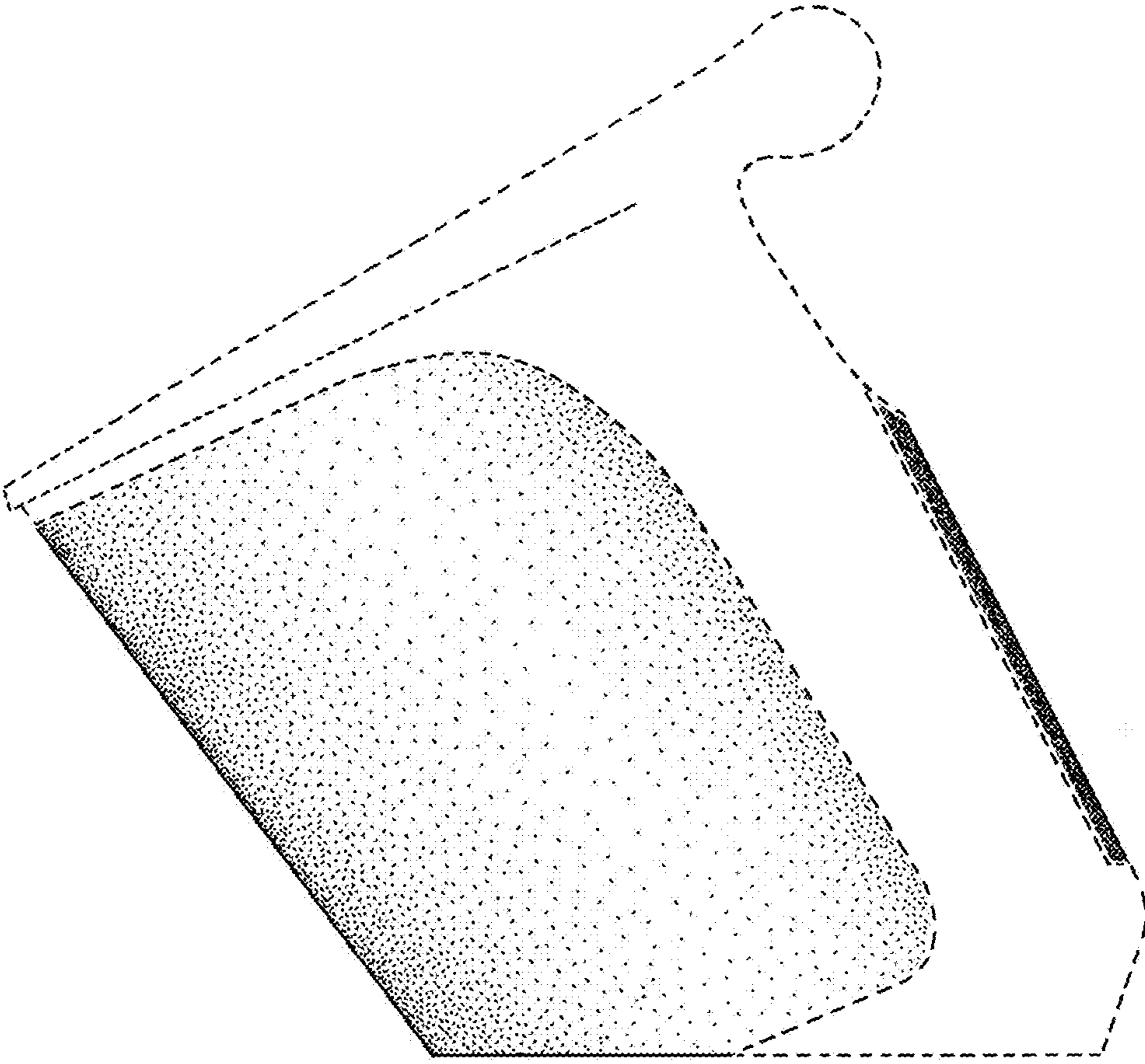


Fig. 2

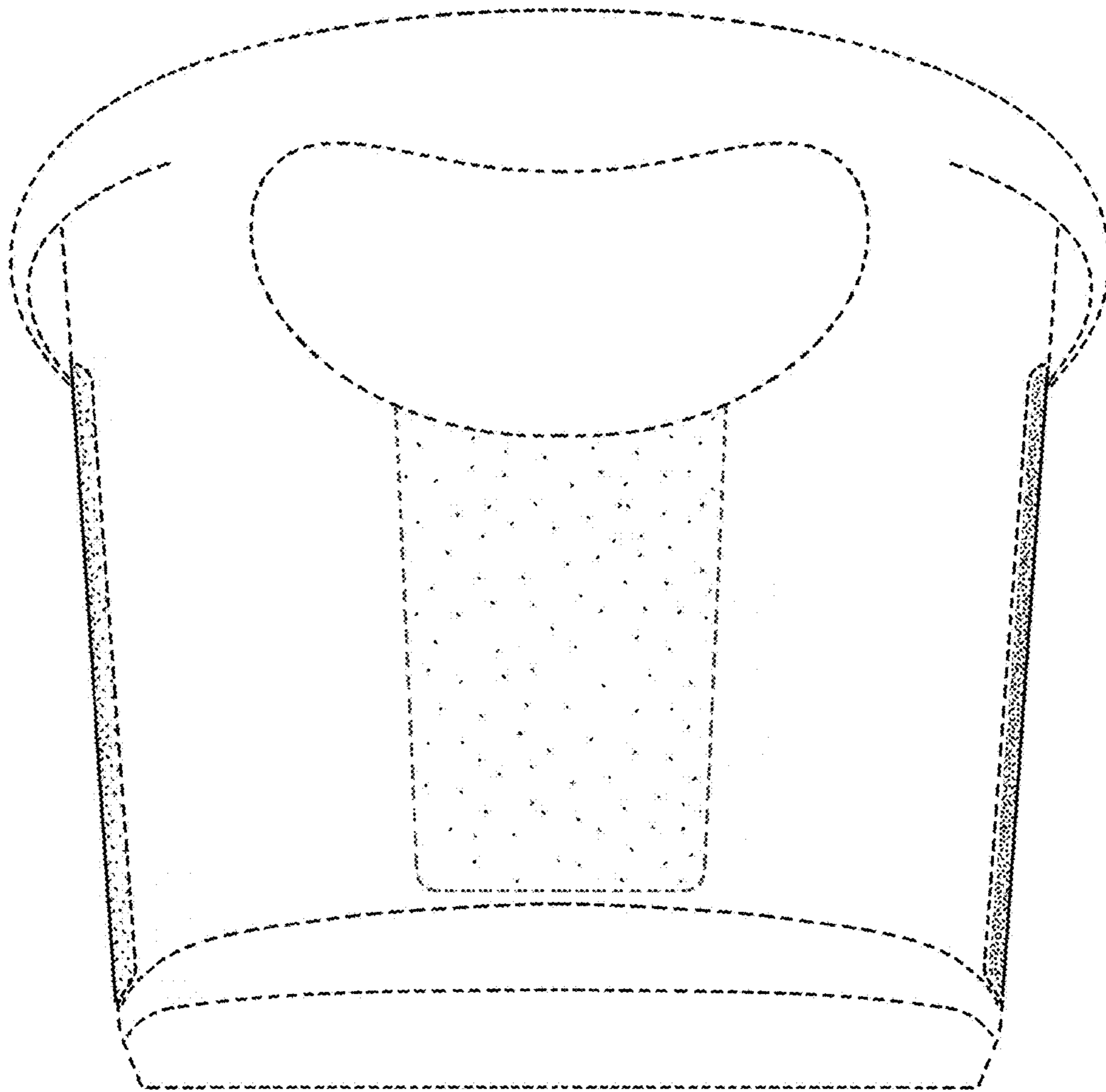


Fig. 3

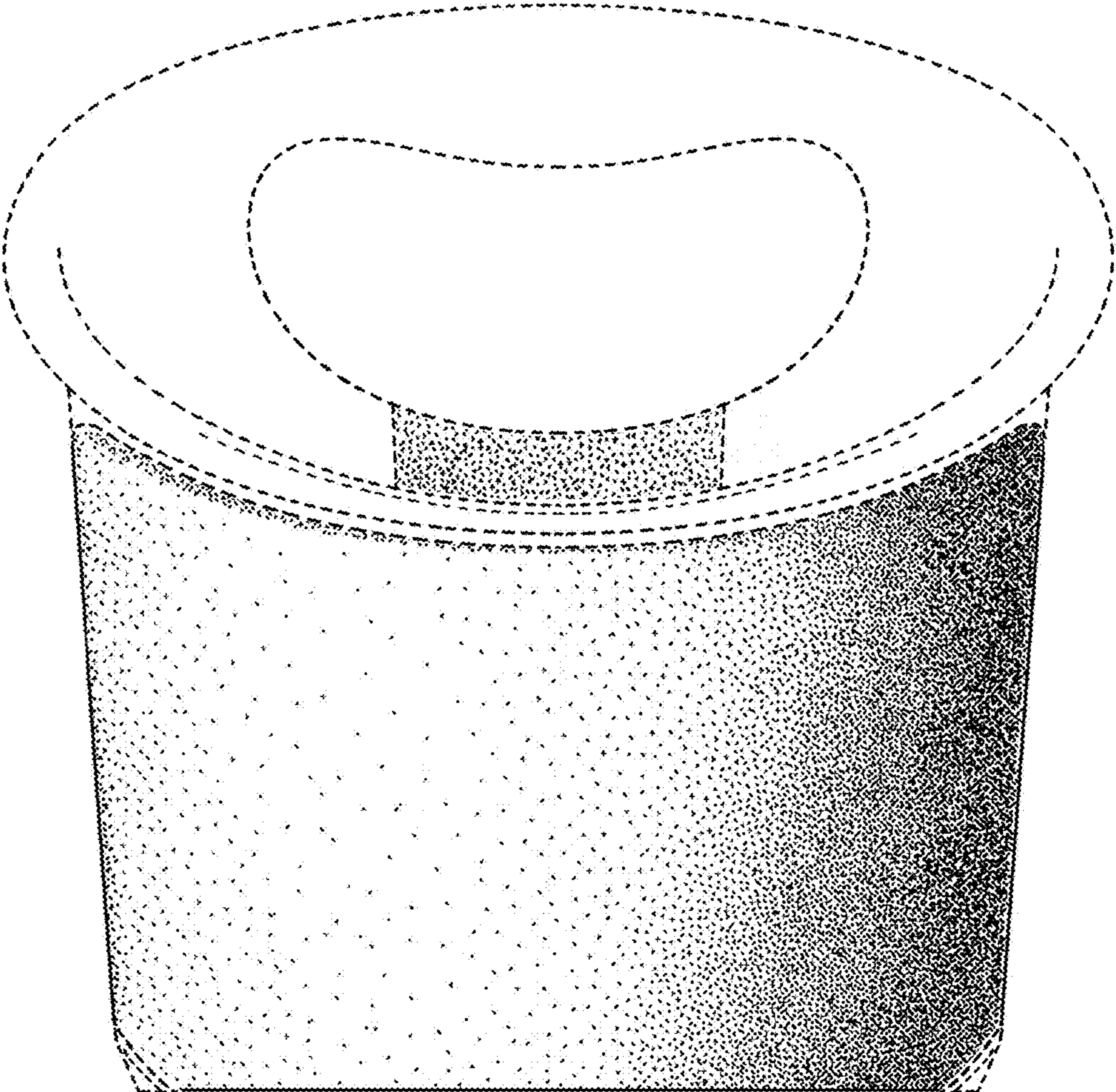


Fig. 4

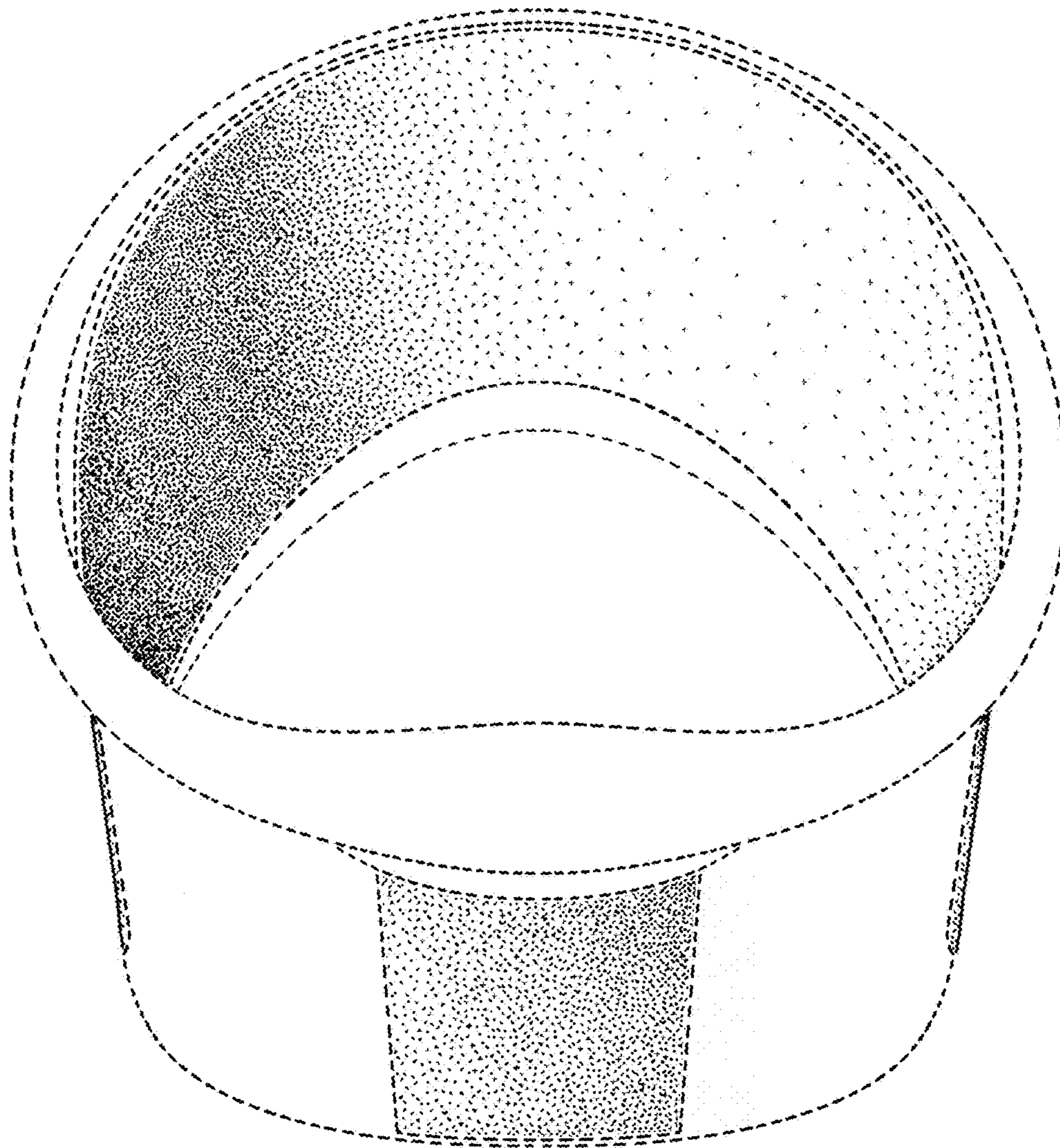


Fig. 5

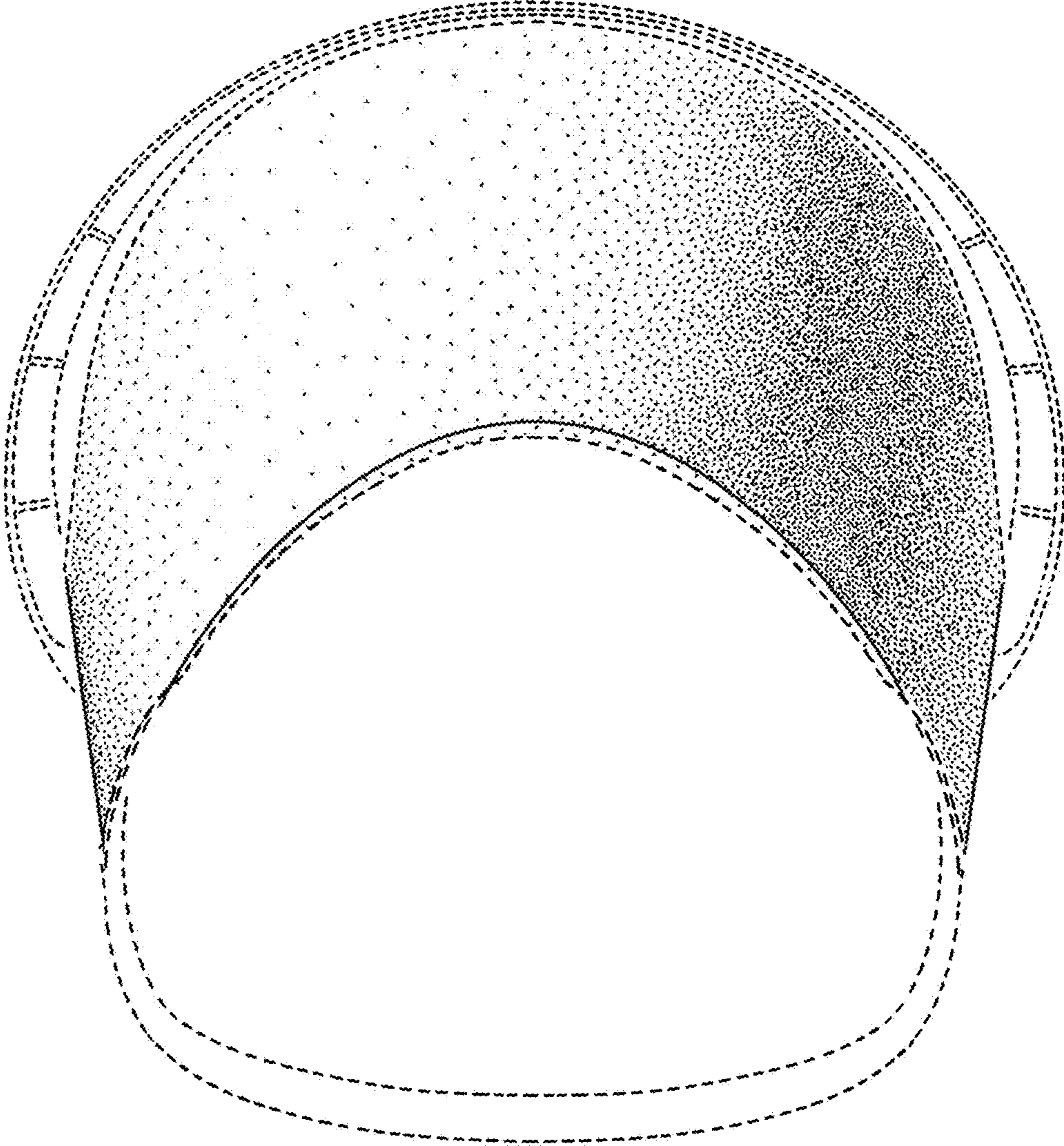


Fig. 6