



US00D841919S

(12) **United States Design Patent** (10) **Patent No.:** **US D841,919 S**
Renner et al. (45) **Date of Patent:** **** Feb. 26, 2019**

(54) **HANDLE**

(71) Applicant: **3M INNOVATIVE PROPERTIES COMPANY**, St. Paul, MN (US)

(72) Inventors: **Megan E. Renner**, St. Paul, MN (US); **Matthew D. Chaffee**, Minneapolis, MN (US); **Mark W. Baldwin**, Woodbury, MN (US); **Michael C. Mooney**, Coon Rapids, MN (US)

(73) Assignee: **3M INNOVATIVE PROPERTIES COMPANY**, St. Paul, MN (US)

(**) Term: **15 Years**

(21) Appl. No.: **29/621,602**

(22) Filed: **Oct. 10, 2017**

(51) **LOC (11) Cl.** **07-05**

(52) **U.S. Cl.**
USPC **D32/52; D4/127**

(58) **Field of Classification Search**
USPC .. D32/50-53, 40, 45, 17-18, 21-22, 24-25;
D4/127, 130-132, 134-135, 138, 199;
D8/1-14, 80, 94, 107
CPC A47L 13/52; A47L 13/12; A47L 13/00;
A47L 13/20; A47L 13/24; A47L 13/22;
A46B 7/04; A46B 7/06; A46B 5/00;
B43M 11/02

See application file for complete search history.

(56) **References Cited**

U.S. PATENT DOCUMENTS

D230,940 S * 3/1974 Lamb D7/395
D330,788 S * 11/1992 Berti D32/45
D334,845 S * 4/1993 Ricciareli D4/138
D349,193 S * 8/1994 Sloan D32/42
D358,491 S * 5/1995 Hoagland D32/42
5,454,659 A * 10/1995 Vosbikian A47L 13/17
401/140
D387,704 S * 12/1997 Berti D32/45

D389,964 S * 1/1998 Lewandowski 401/139
D422,147 S * 4/2000 King D32/42
D462,179 S * 9/2002 Lai D4/138
D481,290 S * 10/2003 Thompson D8/107
D493,962 S * 8/2004 Dotterman D32/45
D500,600 S 1/2005 Hay
D511,626 S * 11/2005 Hay D32/45

(Continued)

FOREIGN PATENT DOCUMENTS

CN 303214007 * 5/2015
JP D1545354 * 3/2016

OTHER PUBLICATIONS

Honnebasix YB33263L Dish Scrub Brush, Overstock website 2018, <https://www.overstock.com/Home-Garden/Homebasix-YB33263L-Dish-Scrub-Brush-Plasti...> site visited Sep. 3, 2018.*

(Continued)

Primary Examiner — John Windmuller

Assistant Examiner — John R Yeh

(74) *Attorney, Agent, or Firm* — Irina Hass

(57) **CLAIM**

The ornamental design for a handle, as shown and described.

DESCRIPTION

FIG. 1 is a perspective view showing the new design for a handle;

FIG. 2 is a right side view thereof;

FIG. 3 is a left side view thereof;

FIG. 4 is a front view thereof;

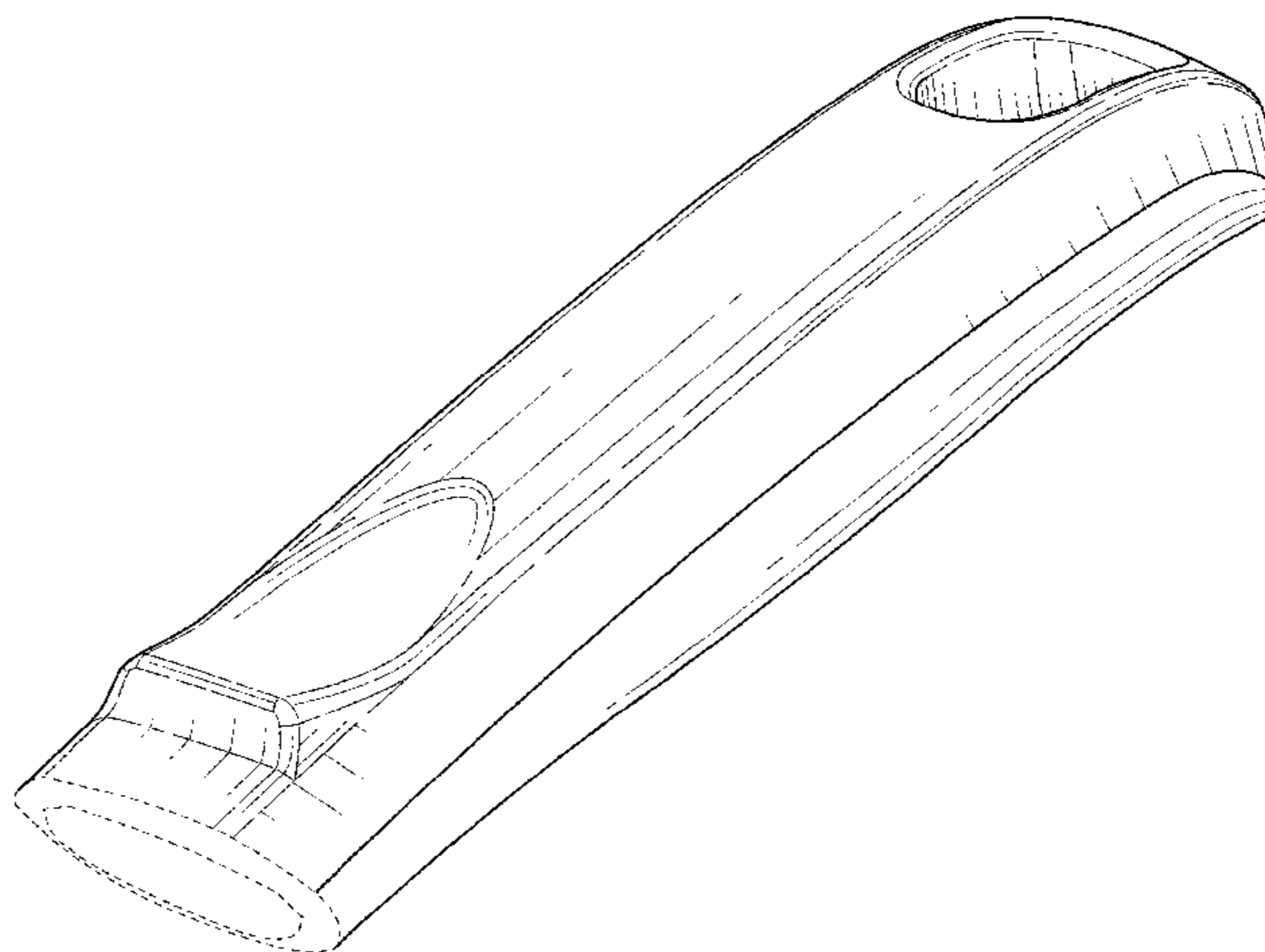
FIG. 5 is a rear view thereof;

FIG. 6 is a top view thereof; and,

FIG. 7 is a bottom view thereof.

The portions of the handle in FIGS. 1-2 and 4-7 shown in broken lines are included to show features that form no part of the claimed design.

1 Claim, 3 Drawing Sheets



(56)

References Cited

U.S. PATENT DOCUMENTS

D517,326 S * 3/2006 Hay D4/116
D522,342 S * 6/2006 Kwan D8/107
D545,655 S * 7/2007 Wu D8/4
D550,416 S * 9/2007 Berti D32/45
D574,211 S * 8/2008 Muehlebach D8/107
D584,061 S 1/2009 Meyer
D609,068 S * 2/2010 Lai D8/10
D770,118 S * 10/2016 Neumann D32/45
D770,712 S * 11/2016 Neumann D32/45
D783,374 S * 4/2017 Jenkins D8/1
D784,780 S * 4/2017 Jenkins D8/1

OTHER PUBLICATIONS

Lysol Liquid Dispensing Dish Brush, Quickie website 2018, <https://www.quickie.com/lysol-liquid-dispensing-dish-brush/1036113.html>, site visited Sep. 3, 2018.*

* cited by examiner

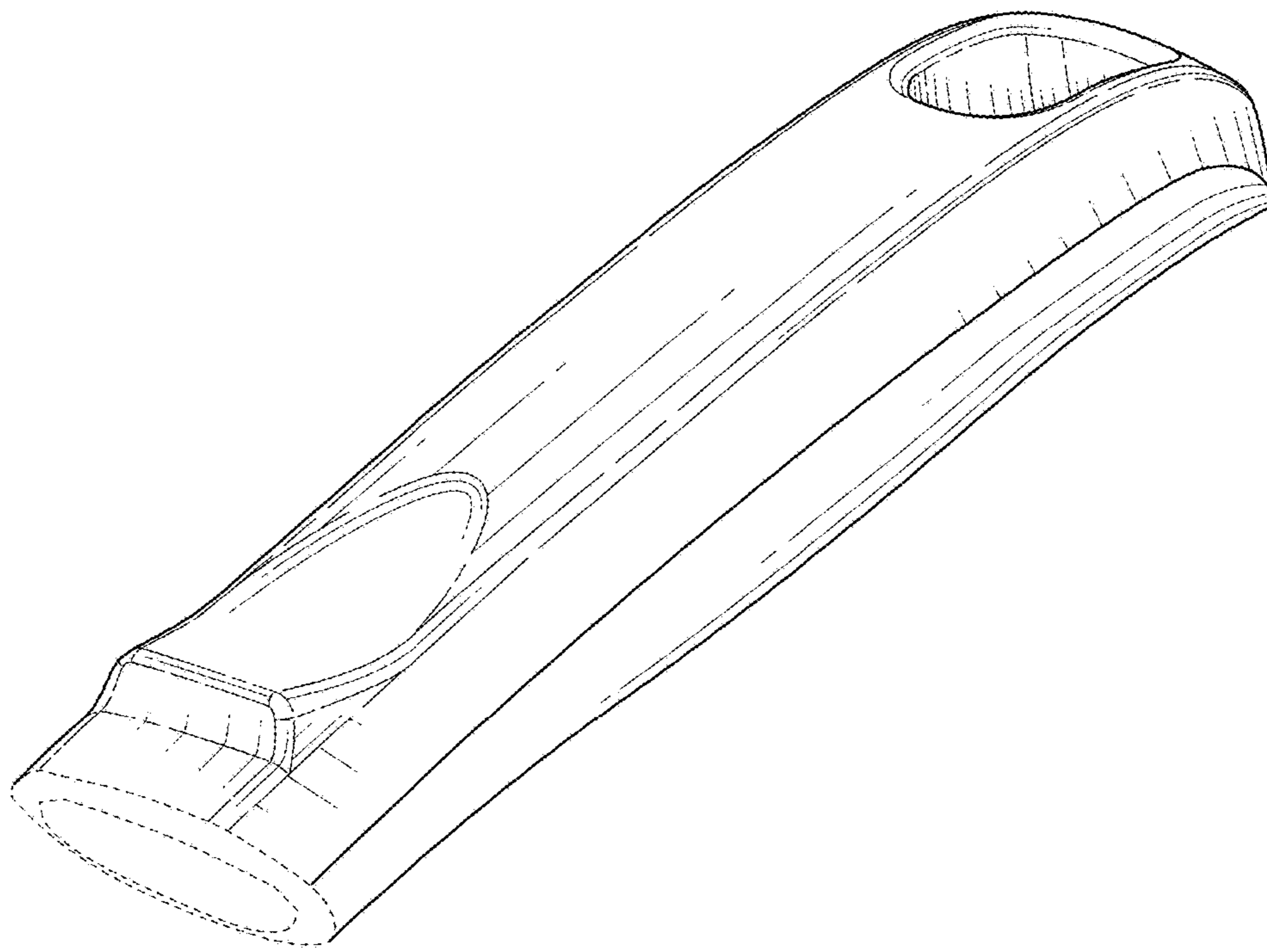


FIG. 1

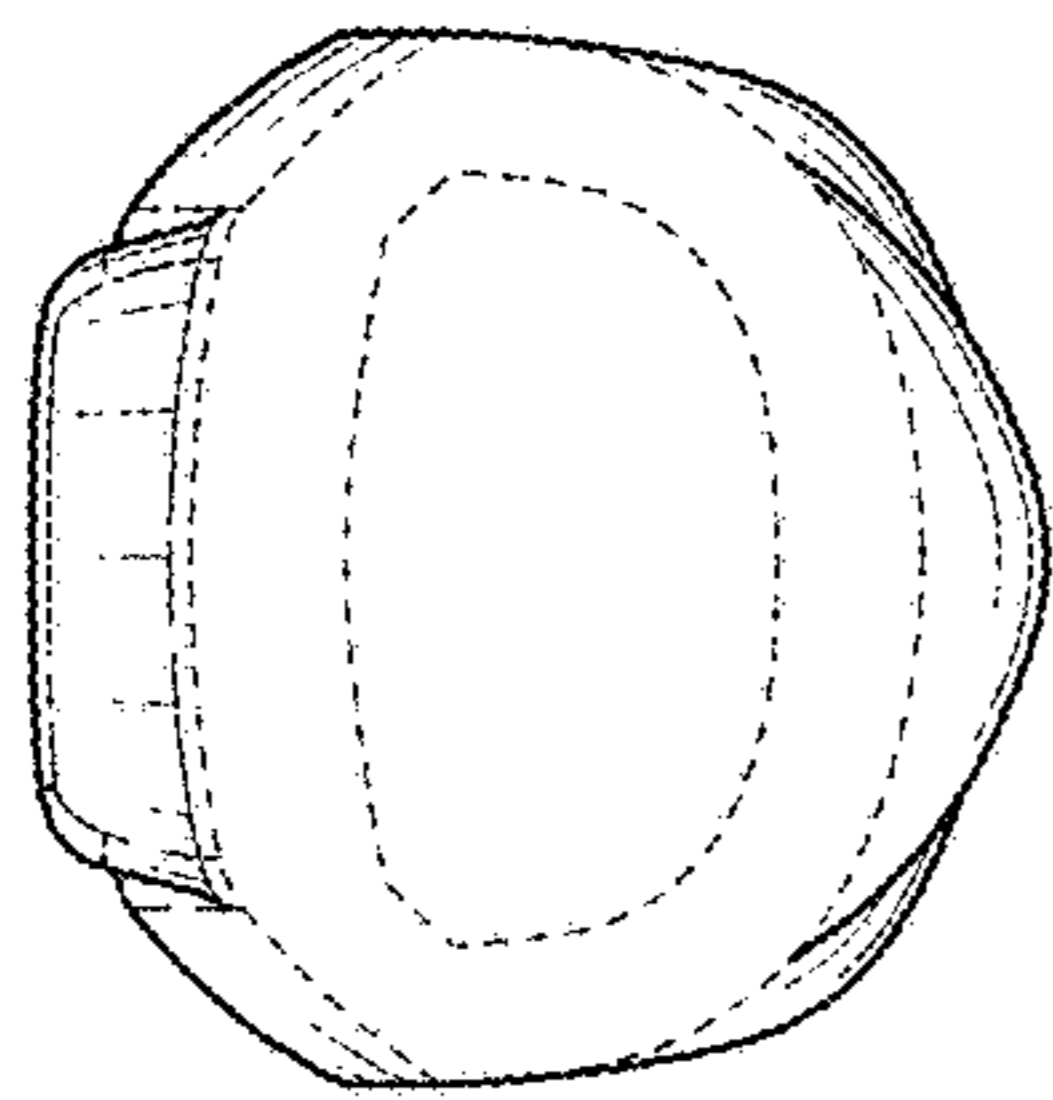


FIG. 2

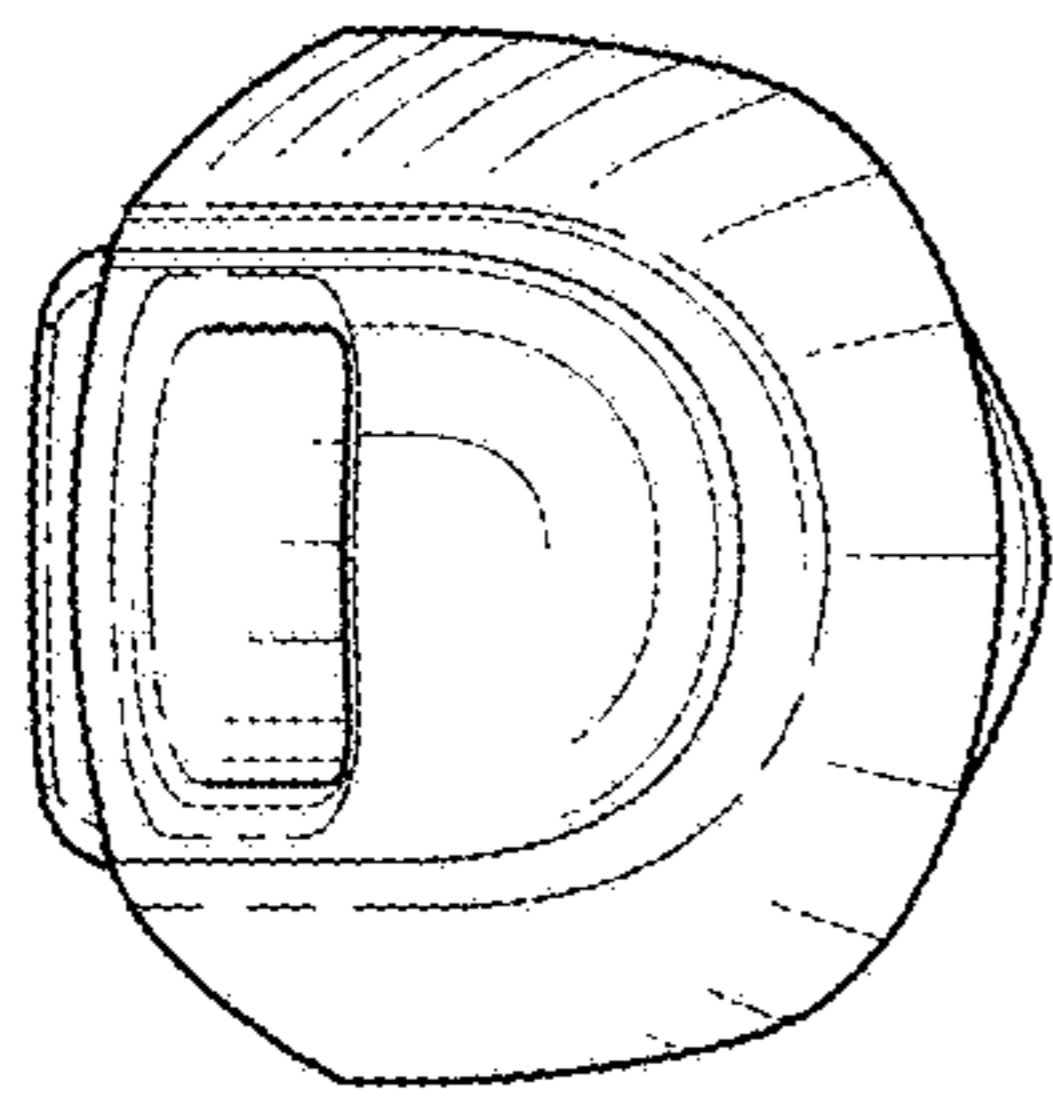


FIG. 3

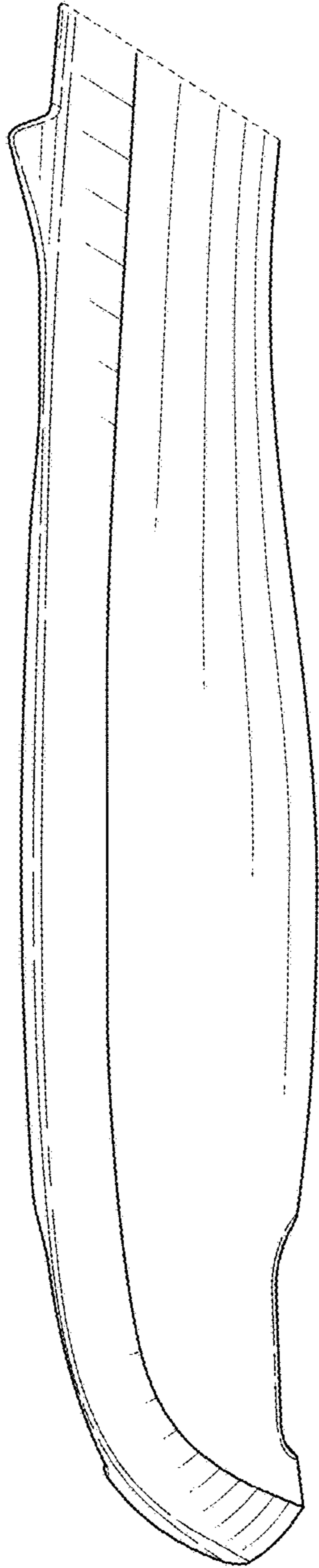


FIG. 4

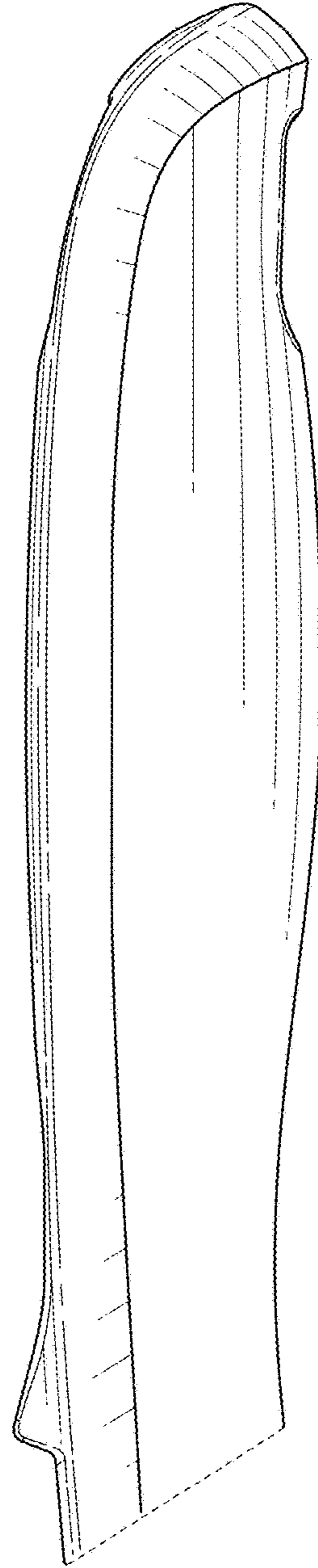


FIG. 5

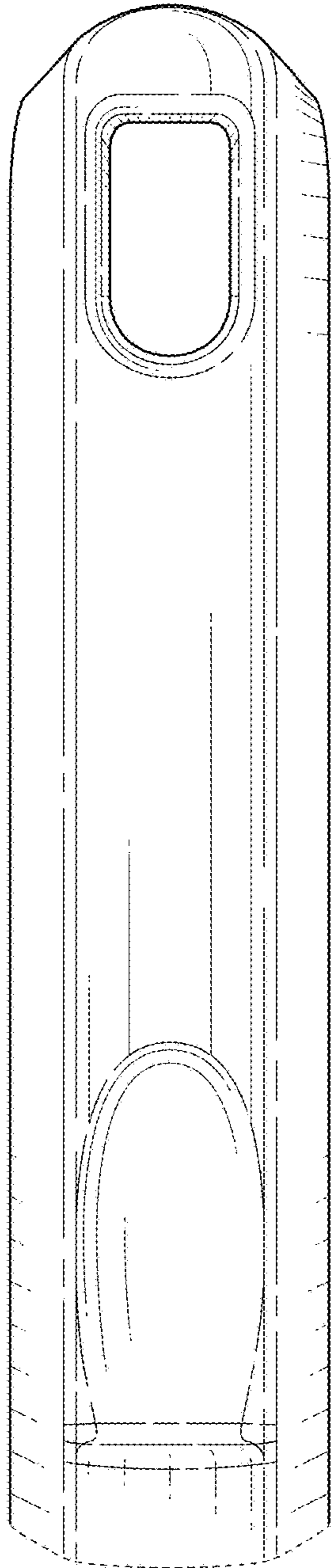


FIG. 6

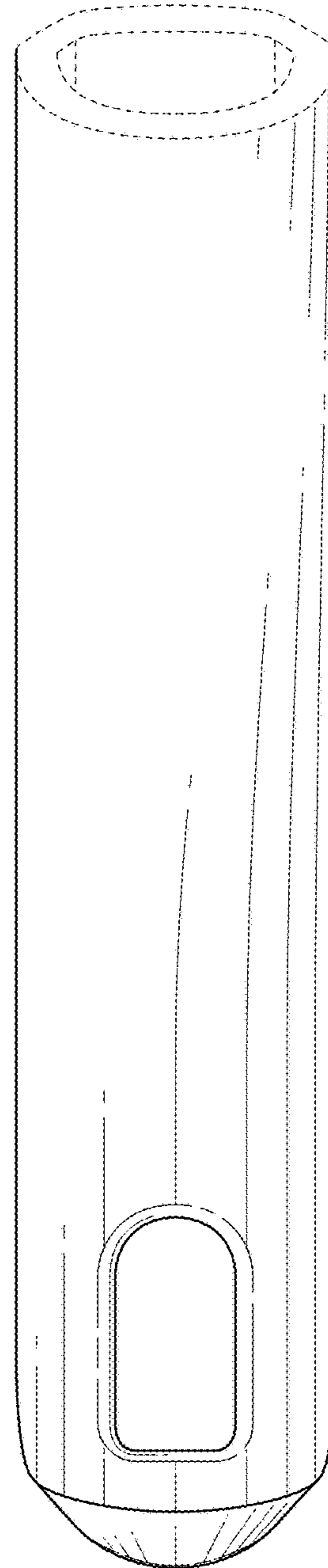


FIG. 7