



US00D841918S

(12) **United States Design Patent**
Tschopp

(10) **Patent No.:** **US D841,918 S**

(45) **Date of Patent:** **** Feb. 26, 2019**

(54) **ICE SCRAPER**

(71) Applicant: **Black & Decker Inc.**, New Britain, CT
(US)

(72) Inventor: **Tylan A. Tschopp**, Baltimore, MD (US)

(73) Assignee: **BLACK & DECKER INC.**, New
Britain, CT (US)

(**) Term: **15 Years**

(21) Appl. No.: **29/628,571**

(22) Filed: **Dec. 6, 2017**

(51) **LOC (11) Cl.** **07-05**

(52) **U.S. Cl.**
USPC **D32/46**

(58) **Field of Classification Search**
USPC D32/40-46; D8/1-14, 80, 94, 107;
D4/127, 130-132, 134-135, 138, 199
CPC .. A46B 13/02; A47J 37/07; A47L 1/16; A47L
13/02; B60S 3/04; B60S 1/38
See application file for complete search history.

(56) **References Cited**

U.S. PATENT DOCUMENTS

- 1,018,844 A * 2/1912 Meyer A47L 13/08
15/236.07
- 4,040,140 A * 8/1977 Hopkins B60S 3/045
15/236.02
- 4,164,801 A * 8/1979 Thomas B60S 3/045
15/236.02
- 4,275,476 A * 6/1981 Hopkins B60S 3/045
15/236.02
- D279,415 S * 6/1985 Osrow D26/38
- D358,491 S * 5/1995 Hoagland D32/42
- D362,093 S * 9/1995 Vogt D32/42
- D372,349 S * 7/1996 Adair D32/46
- 5,572,820 A * 11/1996 Mallory A47L 1/16
206/573
- D394,923 S * 6/1998 Hellinger D32/46
- D410,122 S * 5/1999 Hellinger D32/46
- D415,325 S * 10/1999 Hellinger D32/46

- D417,049 S * 11/1999 Hughes D32/49
- 6,006,396 A * 12/1999 Hellinger A47L 1/16
15/143.1
- D485,034 S * 1/2004 Anderson D32/49
- D542,490 S * 5/2007 Barnes, Jr. D32/49

(Continued)

FOREIGN PATENT DOCUMENTS

CN 302740024 * 2/2014

OTHER PUBLICATIONS

Amazon.com: Stanley 28-593 Window Scraper, review 2016, https://www.amazon.com/...w-Scraper-Blade/dp/B00002X1ZY/ref=sr_1_fkmr0_2?ie=UTF8&qid=1536073370&sr=8-2-fkmr0&keywords=black+and+decker+ice+scraper#customerReviews, site visited Sep. 4, 2018.*

(Continued)

Primary Examiner — John Windmuller

Assistant Examiner — John R Yeh

(74) *Attorney, Agent, or Firm* — Adan Ayala

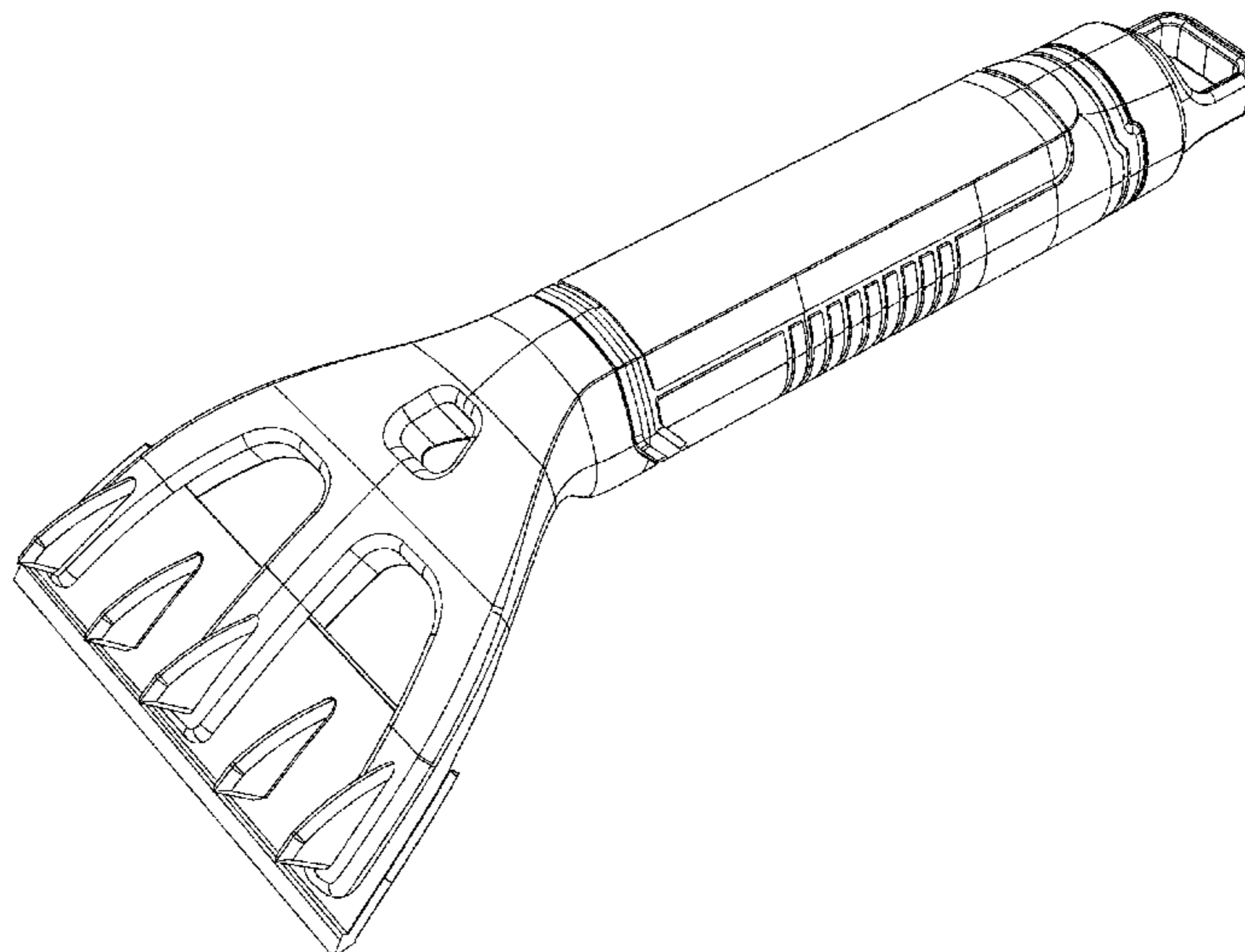
(57) **CLAIM**

The ornamental design for an ice scraper, as shown and described.

DESCRIPTION

FIG. 1 is a front perspective view of an ice scraper according to the invention.
FIG. 2 is a front view of the ice scraper of FIG. 1.
FIG. 3 is a rear view of the ice scraper of FIG. 1.
FIG. 4 is a left side view of the ice scraper of FIG. 1.
FIG. 5 is a right side view of the ice scraper of FIG. 1.
FIG. 6 is a top plan view of the ice scraper of FIG. 1.
FIG. 7 is a bottom plan view of the ice scraper of FIG. 1; and,
FIG. 8 is a rear perspective view of the ice scraper of FIG. 1.

1 Claim, 8 Drawing Sheets



(56)

References Cited

U.S. PATENT DOCUMENTS

D544,162 S * 6/2007 Uffner D32/46
7,469,444 B1 * 12/2008 Thomas A47L 1/16
15/172
D614,824 S * 4/2010 Heidel D32/52
D656,736 S * 4/2012 Hoffelner D4/118
D685,554 S * 7/2013 Malvasio D32/40
D702,905 S * 4/2014 Holma D32/46
D716,055 S * 10/2014 Kassem Llano D4/138
D797,391 S * 9/2017 Latham D32/46

OTHER PUBLICATIONS

Foam Handle Ice Scraper, Everything branded website 2018, <https://www.everythingbranded.com/home-garden/auto/promotional-ice-scrapers/foam-handle-ice-scraper>, site visited Sep. 4, 2018.*

* cited by examiner

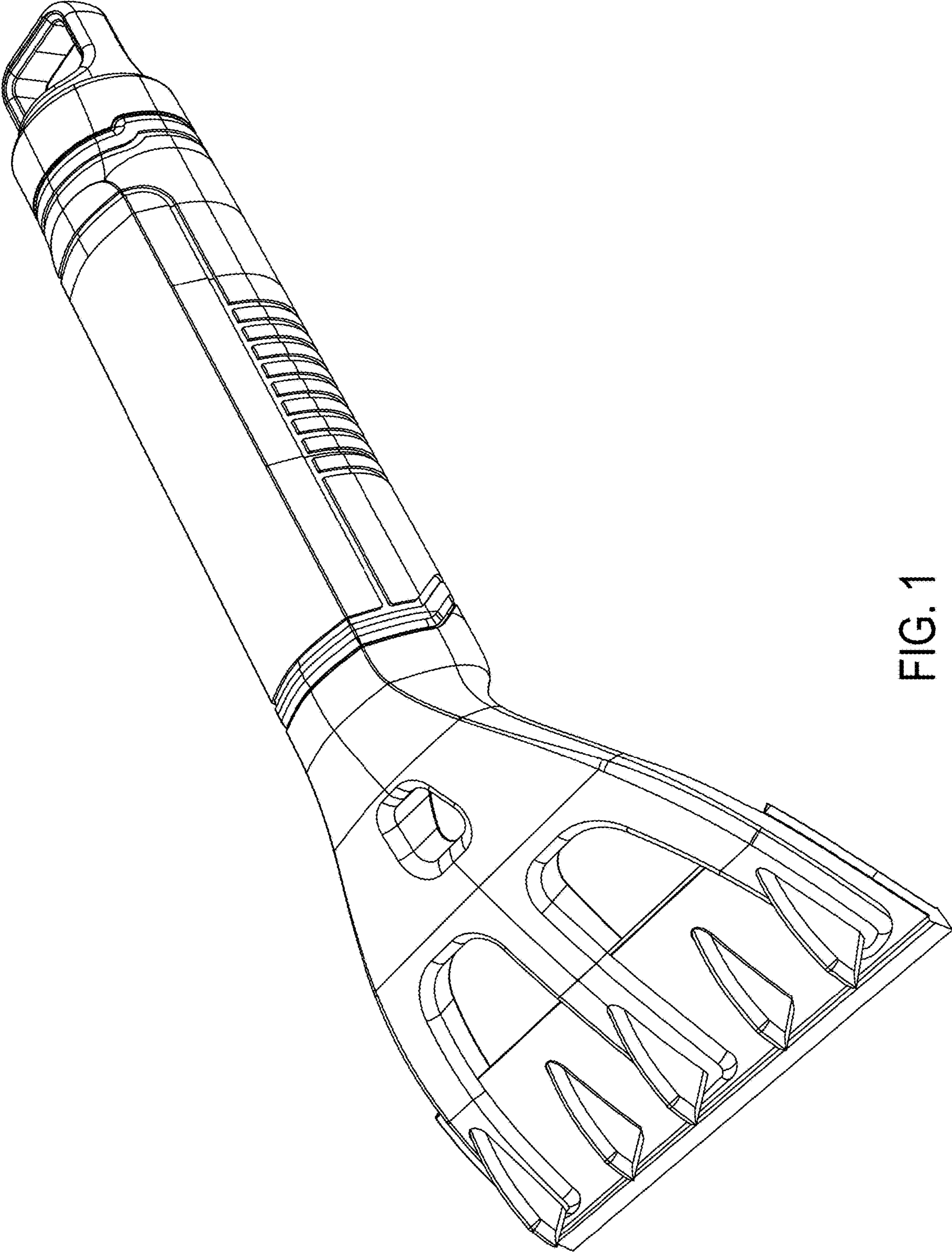


FIG. 1

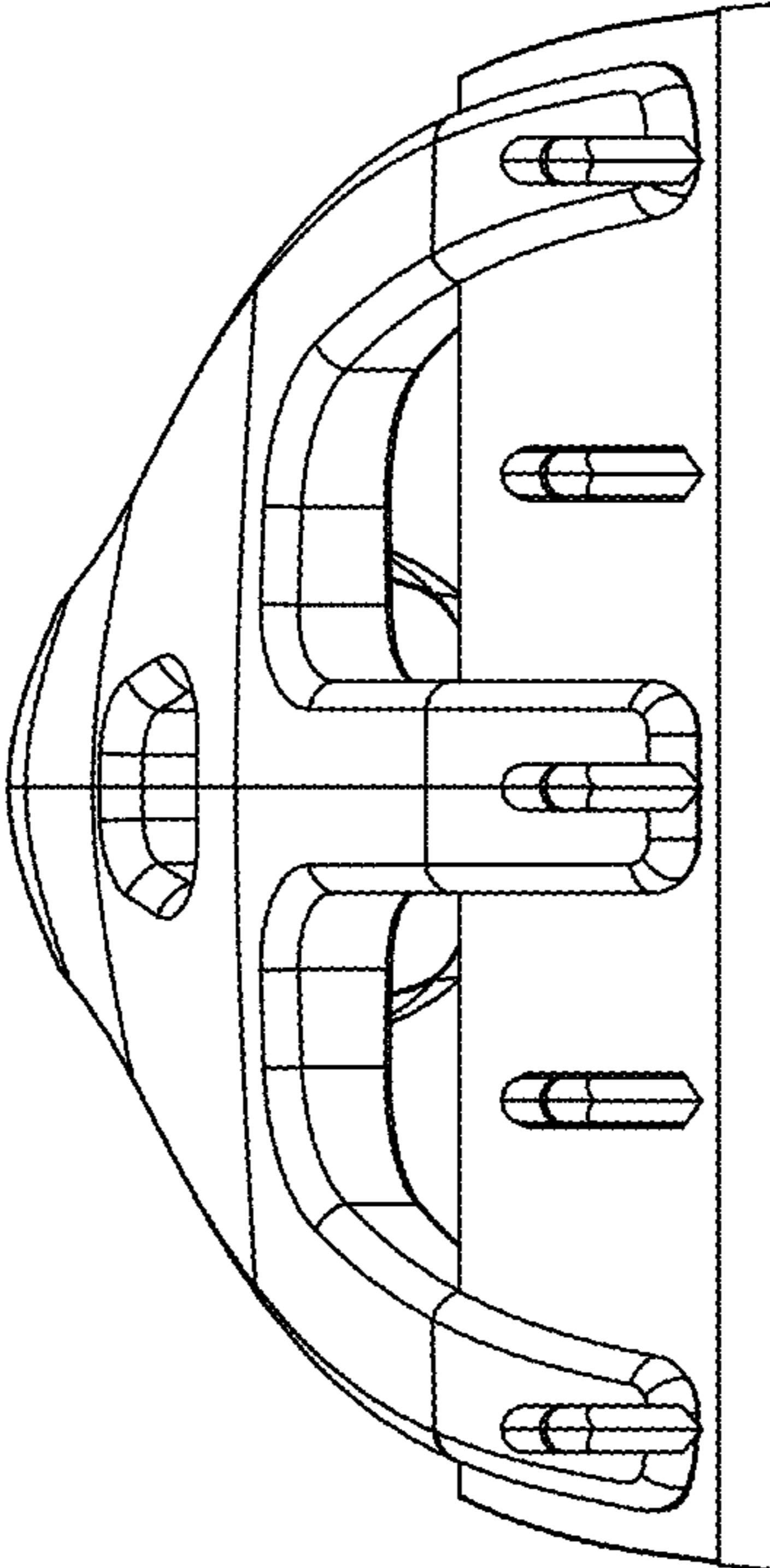


FIG. 2

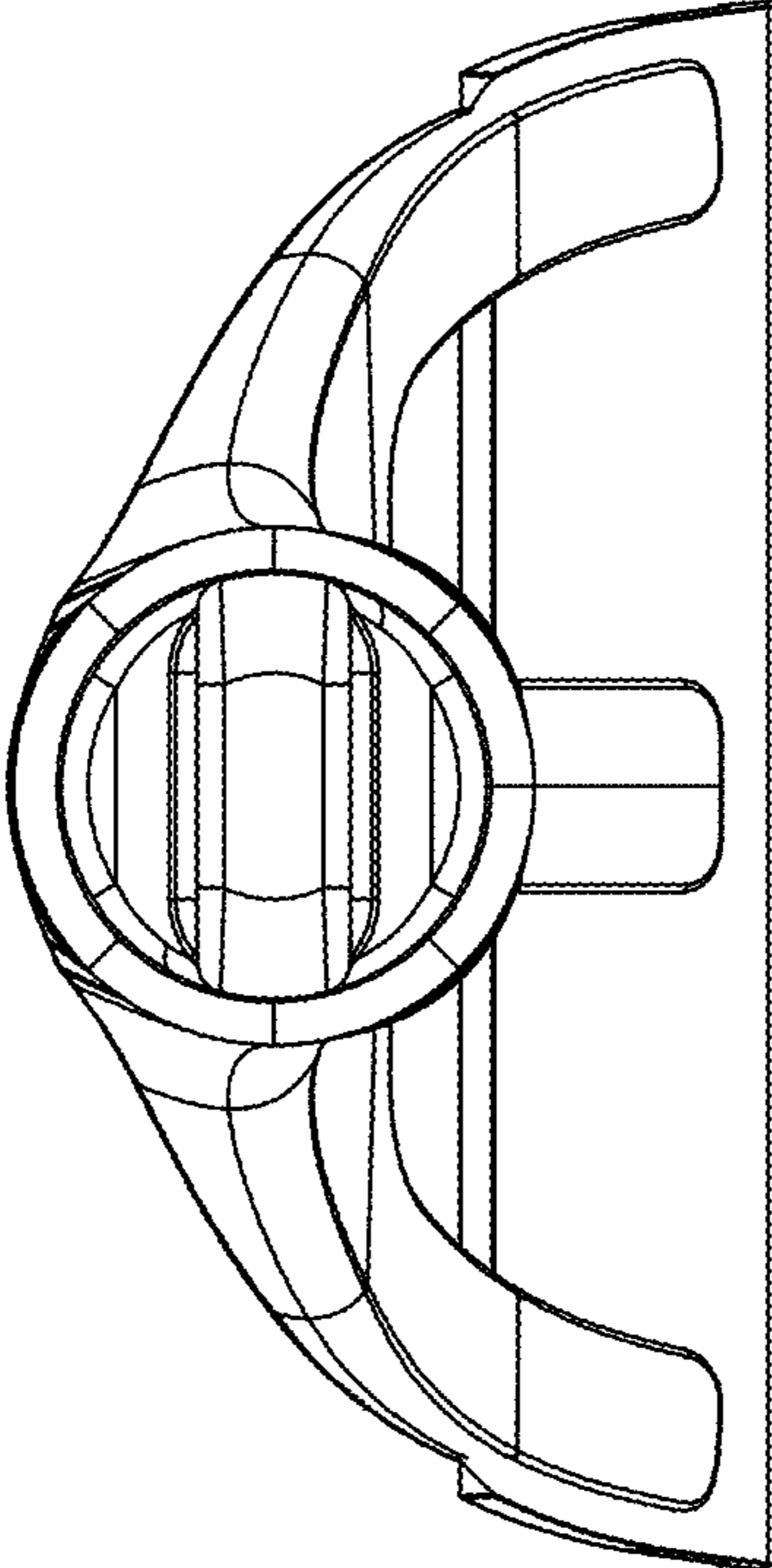


FIG. 3

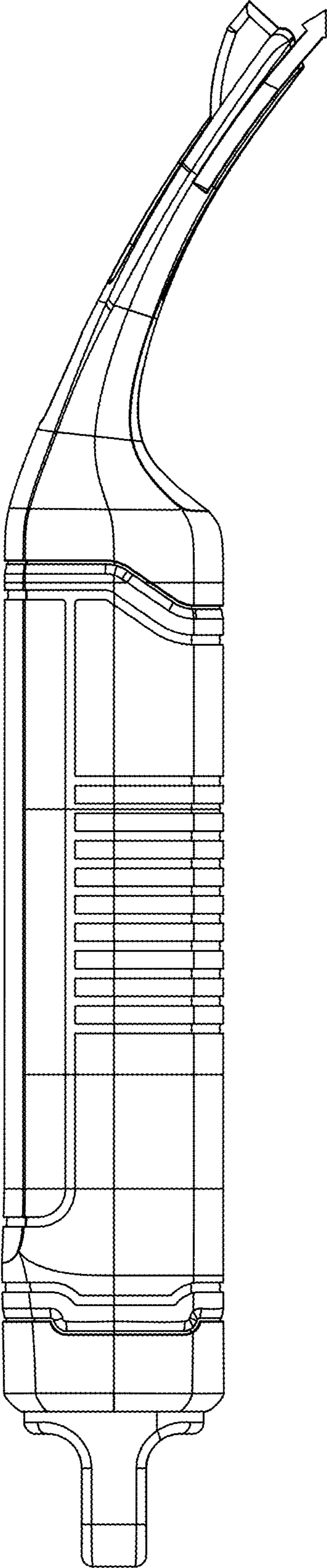


FIG. 4

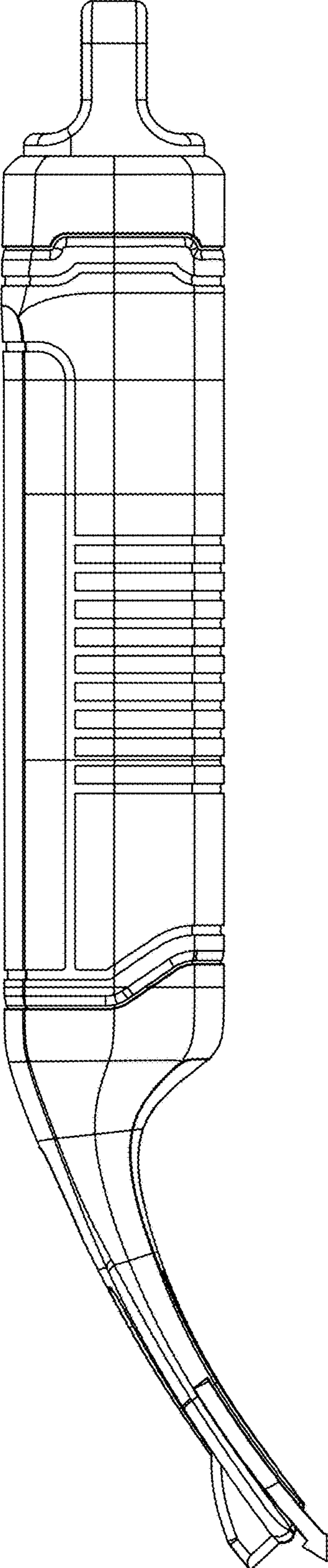


FIG. 5

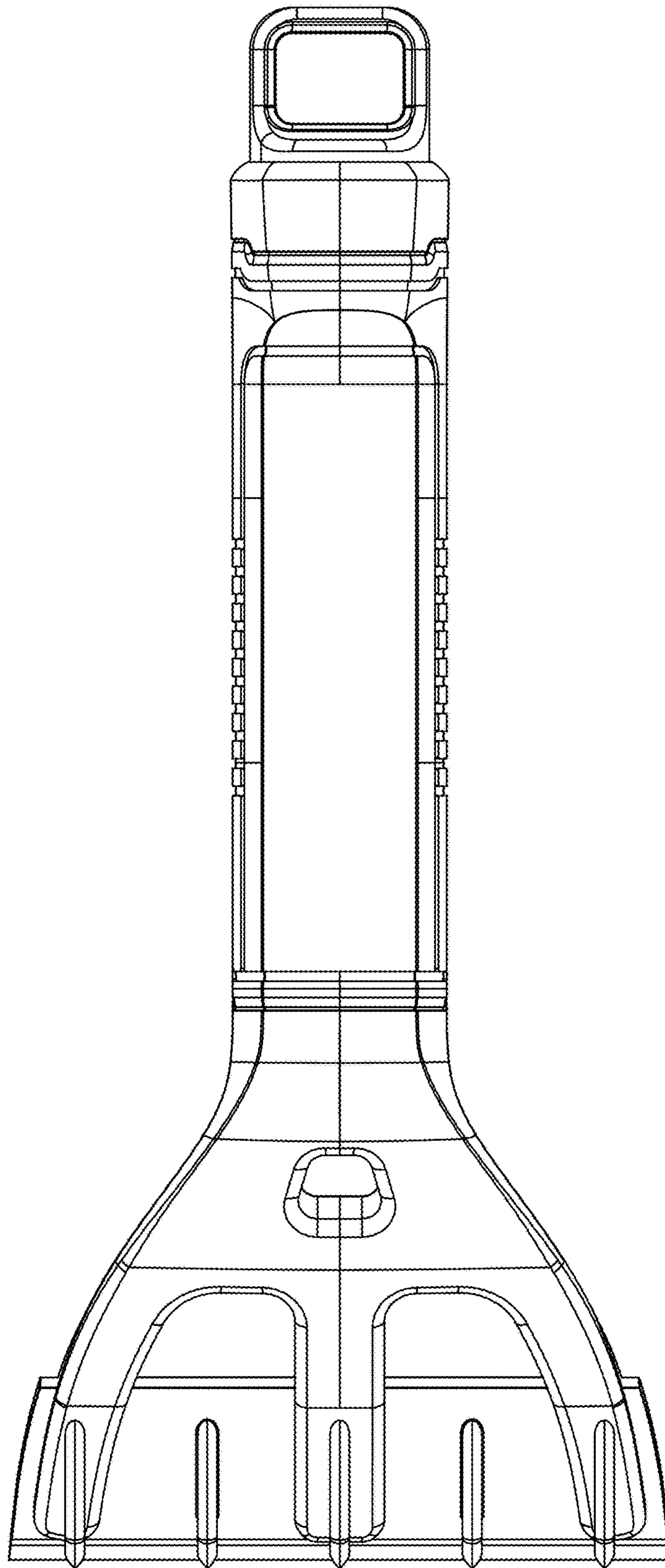


FIG. 6

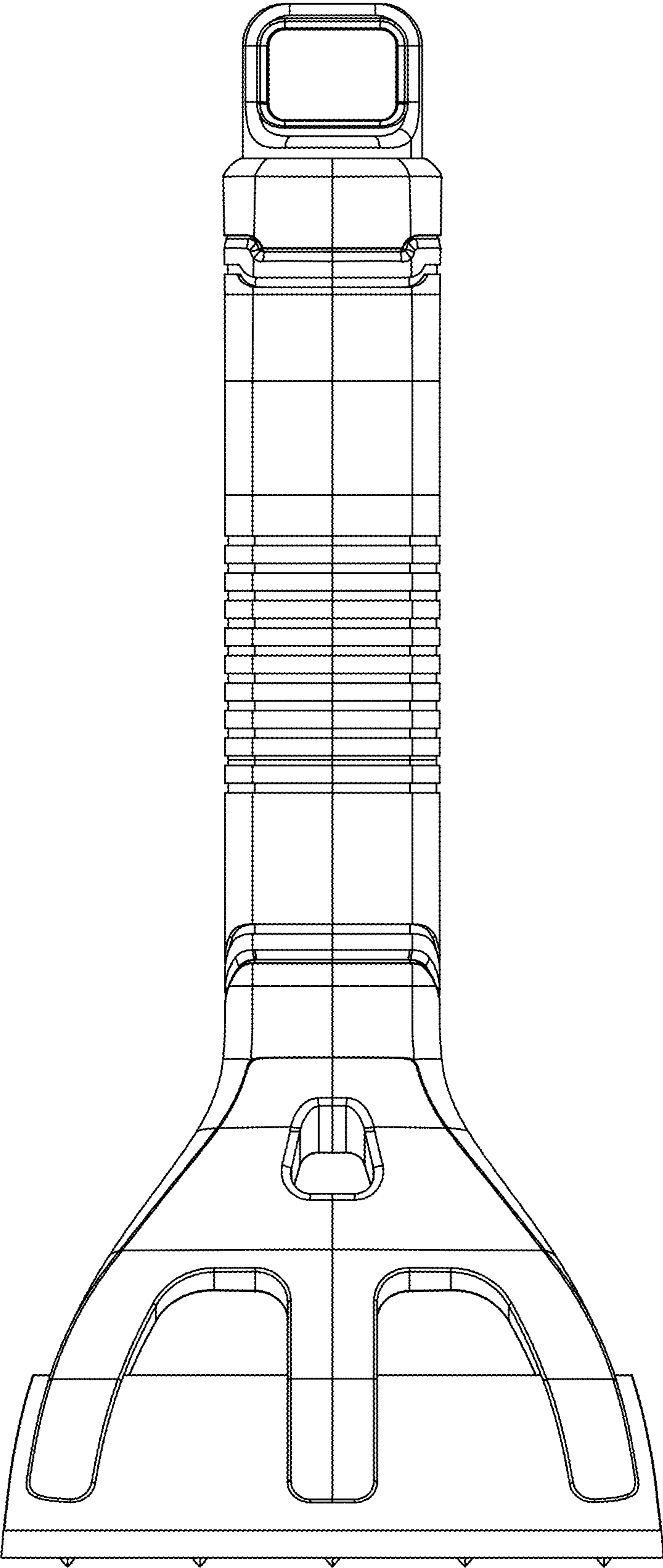


FIG. 7

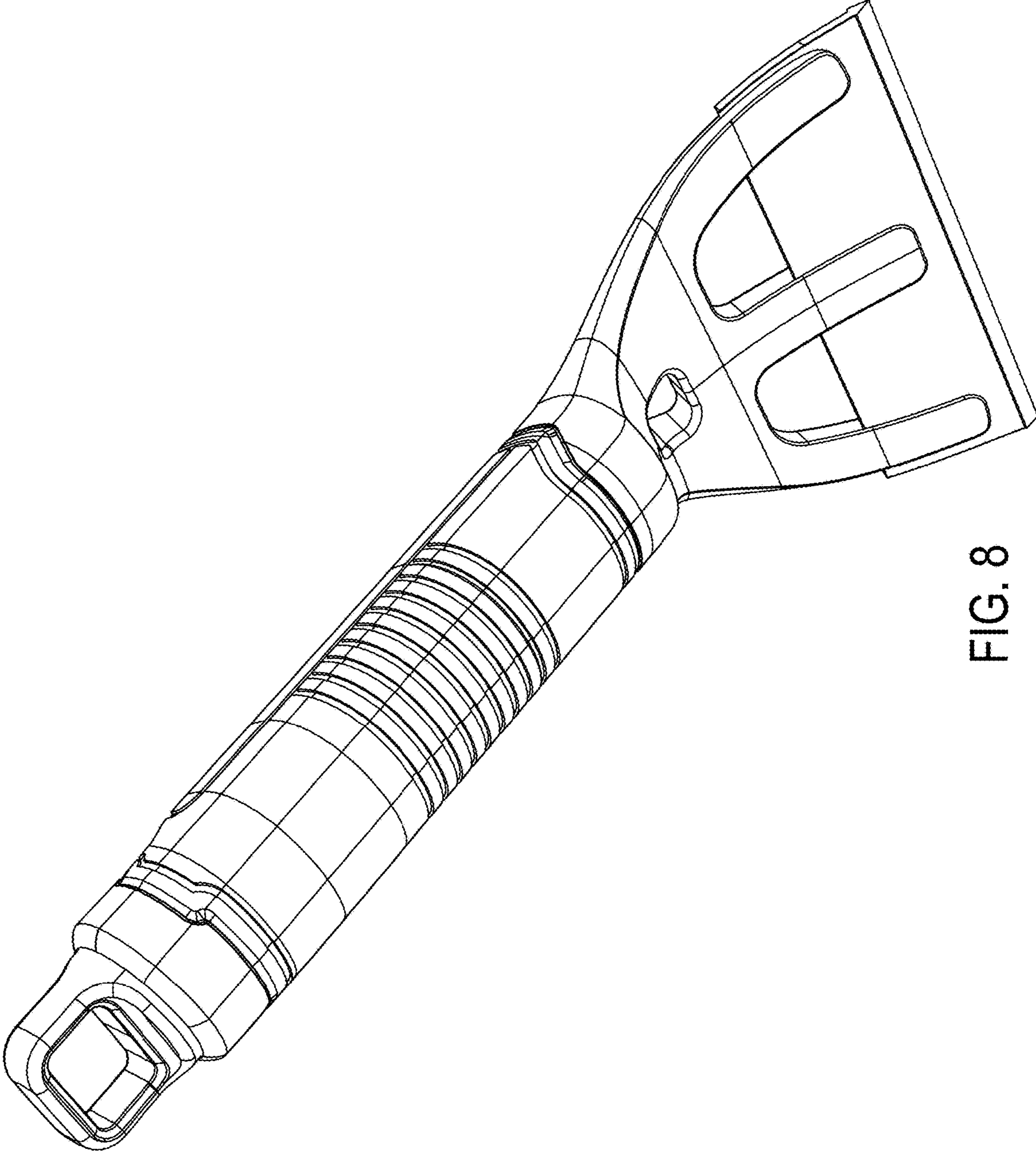


FIG. 8