



US00D841917S

(12) **United States Design Patent** (10) **Patent No.:** **US D841,917 S**
Renner et al. (45) **Date of Patent:** **** Feb. 26, 2019**

(54) **CLEANING TOOL**

(71) Applicant: **3M INNOVATIVE PROPERTIES COMPANY**, St. Paul, MN (US)

(72) Inventors: **Megan E. Renner**, St. Paul, MN (US); **Matthew D. Chaffee**, Minneapolis, MN (US); **Mark W. Baldwin**, Woodbury, MN (US); **Lloyd S. Vasilakes**, Stillwater, MN (US); **Heidi A. Sandell**, St. Paul, MN (US); **Michael C. Mooney**, Coon Rapids, MN (US)

(73) Assignee: **3M INNOVATIVE PROPERTIES COMPANY**, St. Paul, MN (US)

(**) Term: **15 Years**

(21) Appl. No.: **29/621,496**

(22) Filed: **Oct. 9, 2017**

(51) **LOC (11) Cl.** **07-05**

(52) **U.S. Cl.**
USPC **D32/45**

(58) **Field of Classification Search**
USPC D9/456-457, 499; D14/485, 488-489, D14/491, 493; D32/40-45, 50-52; D4/130-135, 199
CPC A47L 13/24; A47L 13/12; A46B 5/02
See application file for complete search history.

(56) **References Cited**

U.S. PATENT DOCUMENTS

D215,876 S *	11/1969	Linke	D28/63
D267,282 S *	12/1982	Gross	D32/51
D358,491 S *	5/1995	Hoagland	D32/42
D381,518 S *	7/1997	Emerson	D28/63
6,041,466 A *	3/2000	Payton, Jr.	A47L 13/022
				15/105
D423,159 S *	4/2000	Payton, Jr.	D32/42
D493,962 S *	8/2004	Dotterman	D32/45
D496,766 S *	9/2004	Colburn	D32/40
D497,258 S *	10/2004	Puckett	D4/118
D502,301 S *	2/2005	Hay	D32/52

D511,626 S *	11/2005	Hay	D32/45
D554,314 S *	10/2007	Kubes	D32/45
D558,417 S *	12/2007	Libman	D32/45
D565,846 S *	4/2008	Holcomb	D4/114
D575,523 S *	8/2008	Libman	D4/132

(Continued)

FOREIGN PATENT DOCUMENTS

CN 304215869 * 7/2017

OTHER PUBLICATIONS

Amazon.com: 3M Scotch-Brite Heavy Duty Dishwand Soap Dispenser Scrub Sponge Plus, review date Apr. 29, 2017, <https://www.amazon.com/...one=&hvptwo=&hvqmt=&hvdev=c&hvdvcmdl=&hvlocint=&hvlocphy=9008192&hvtargid=aud-467077737785:pla-379950390844&pvc=1#customerReviews>, site visited Sep. 23, 2018 (Year: 2017).*

(Continued)

Primary Examiner — John Windmuller

Assistant Examiner — John R Yeh

(74) *Attorney, Agent, or Firm* — Irina Hass

(57) **CLAIM**

The ornamental design for a cleaning tool, as shown and described.

DESCRIPTION

FIG. 1 is a perspective view showing the new design for a cleaning tool;

FIG. 2 is a front view thereof;

FIG. 3 is a rear view thereof;

FIG. 4 is a left side view thereof;

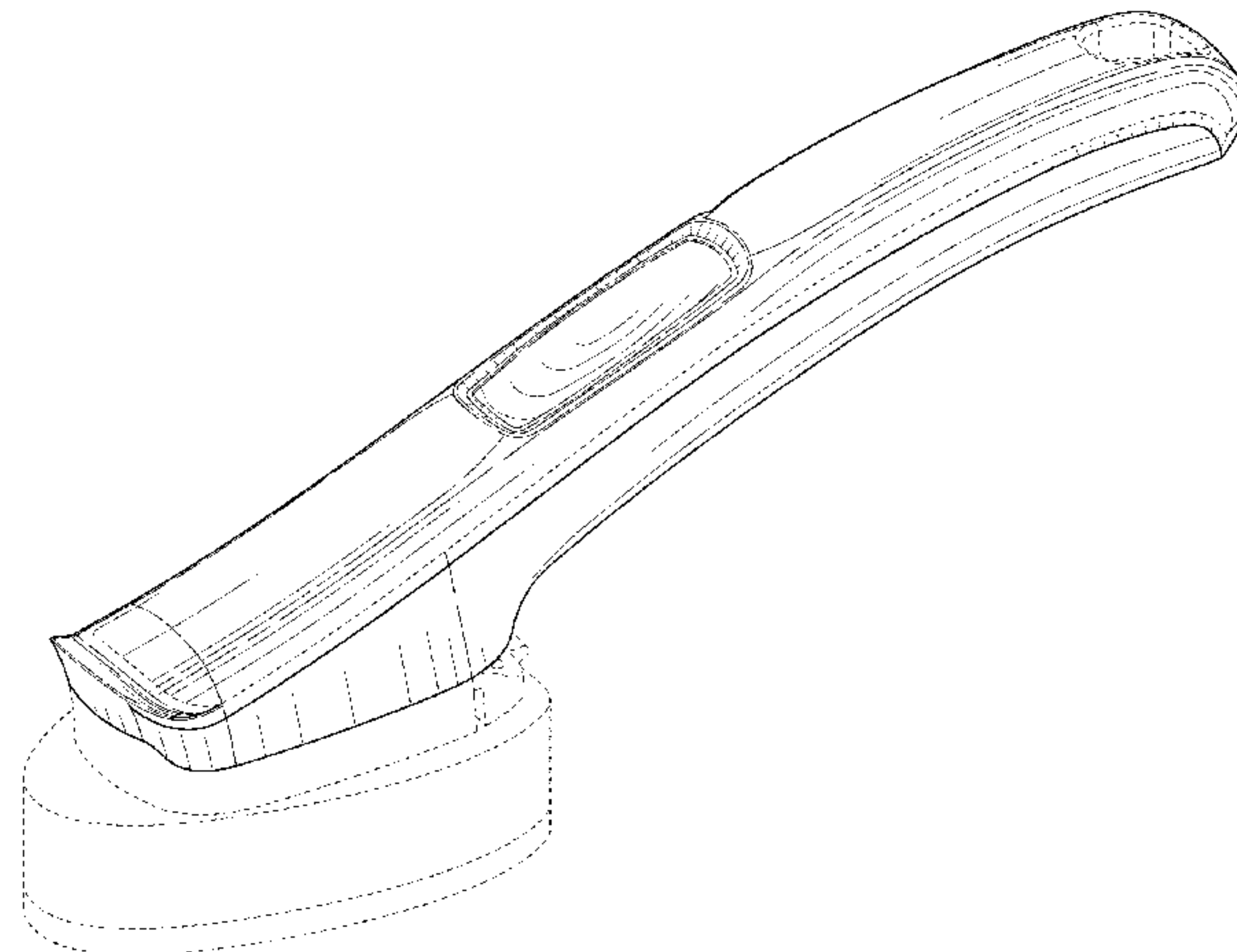
FIG. 5 is a right side view thereof;

FIG. 6 is a top view thereof; and,

FIG. 7 is a bottom view thereof.

The portions of the cleaning tool in FIGS. 1-7 shown in broken lines are included to show features that form no part of the claimed design.

1 Claim, 5 Drawing Sheets



(56)

References Cited

U.S. PATENT DOCUMENTS

D584,060	S	*	1/2009	Hay	D4/134
D660,006	S	*	5/2012	Li	D32/51
D685,548	S	*	7/2013	Wong	D32/40
D685,549	S	*	7/2013	Wong	D32/40
D690,481	S	*	9/2013	Roehm	D32/40
D719,357	S	*	12/2014	Li	D32/45
9,408,521	B2		8/2016	Molinet		
D770,116	S	*	10/2016	Neumann	D32/45
D770,117	S	*	10/2016	Neumann	D32/45

OTHER PUBLICATIONS

Scotch-Brite (12pc) Extreme Scrub, Set of 3 Handled Dishwands, review date Nov. 10, 2017, [https://www.amazon.ca/Scotch-Brite-Extreme-Handled-Dishwands-Refills/dp/](https://www.amazon.ca/Scotch-Brite-Extreme-Handled-Dishwands-Refills/dp/B075782MMZ#customerReviews)

B075782MMZ#customerReviews, site visited Sep. 23, 2018 (Year: 2017).*

Buy Washing Up Brush plus Sponge, reviews 2018, site visited Sep. 23, 2018, https://www.caraselledirect.com/_/dishmatic_washing_up_brush_with_sponge_caraselle-colour_handle_may_vary.1801-1

(Year: 2018).*

Fishpond website 2018, Dishmatic Washing Sponge, site visited Sep. 23, 2018, www.fishpond.com/Homeware/Dishmatic-Washing-Up-Brush-plus-Heavy-DutySponge/ (Year: 2018).*

* cited by examiner

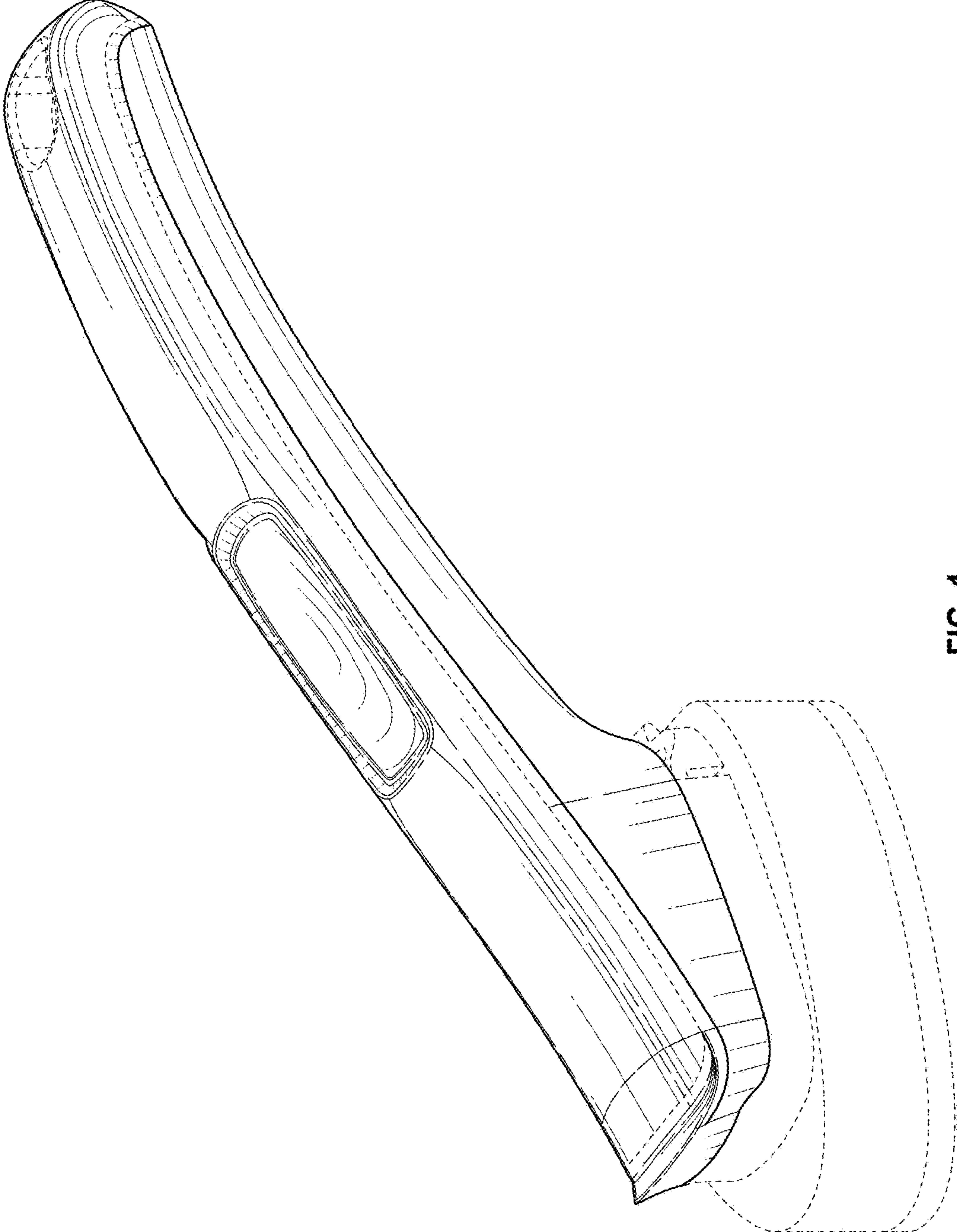


FIG. 1

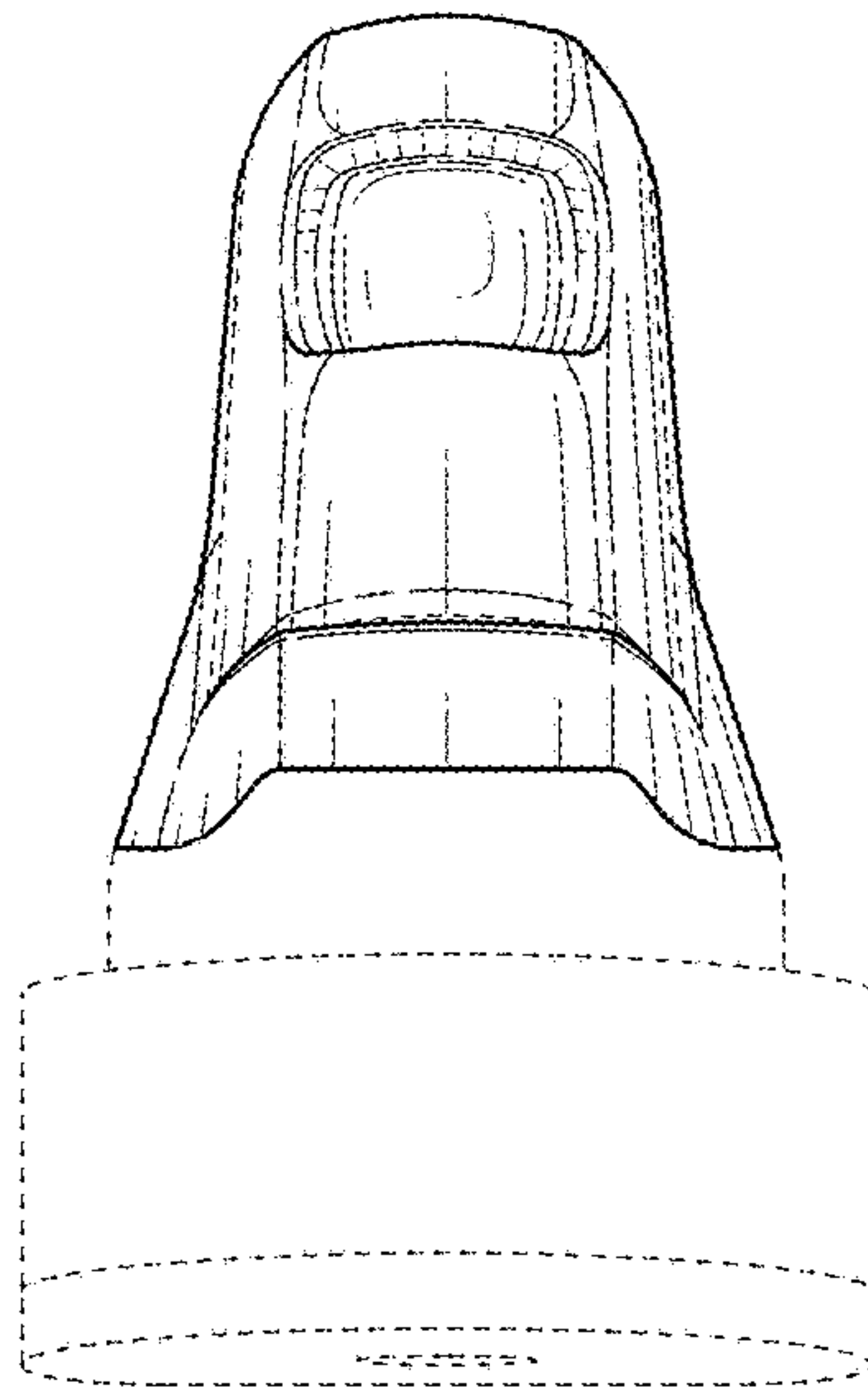


FIG. 2

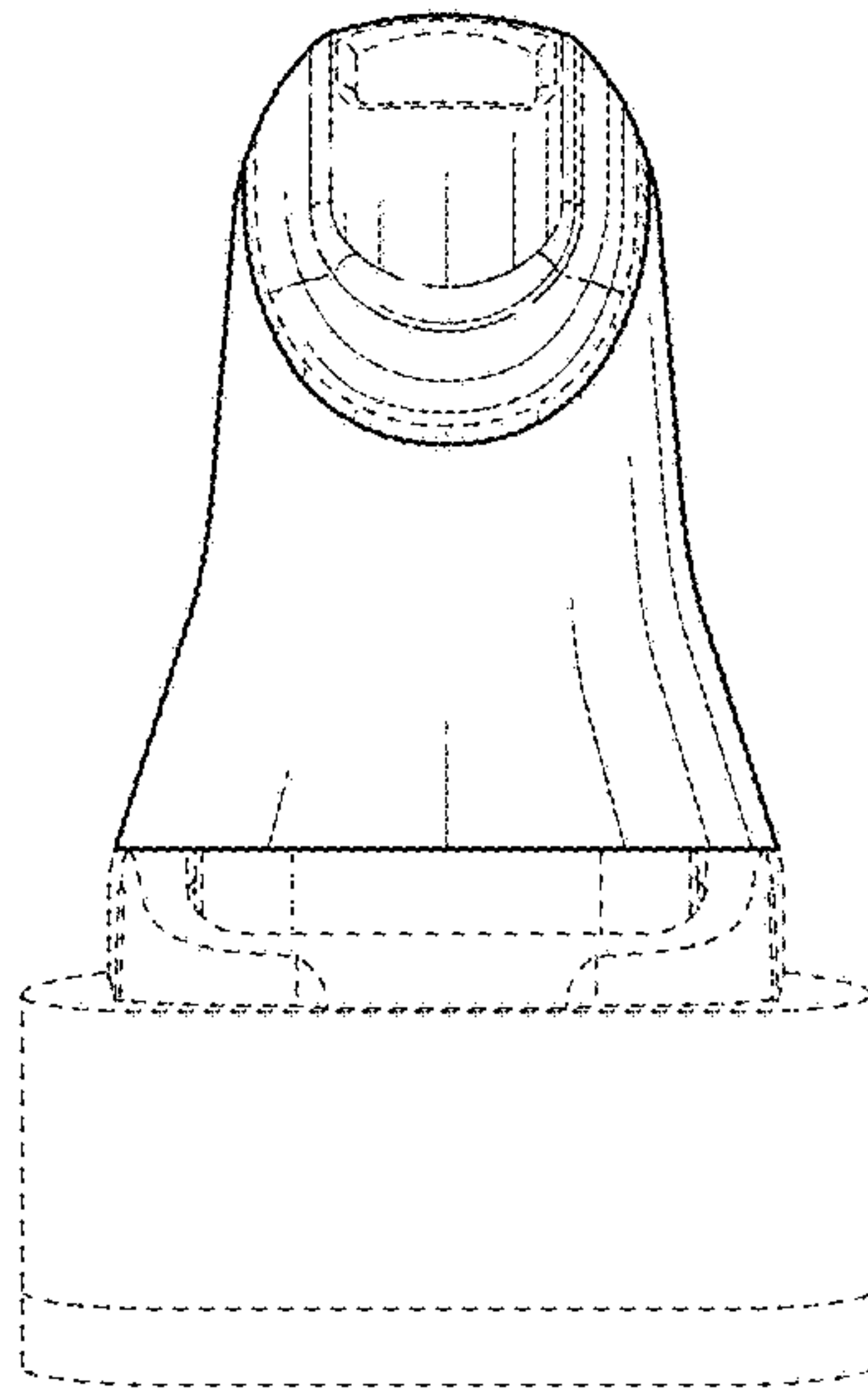


FIG. 3

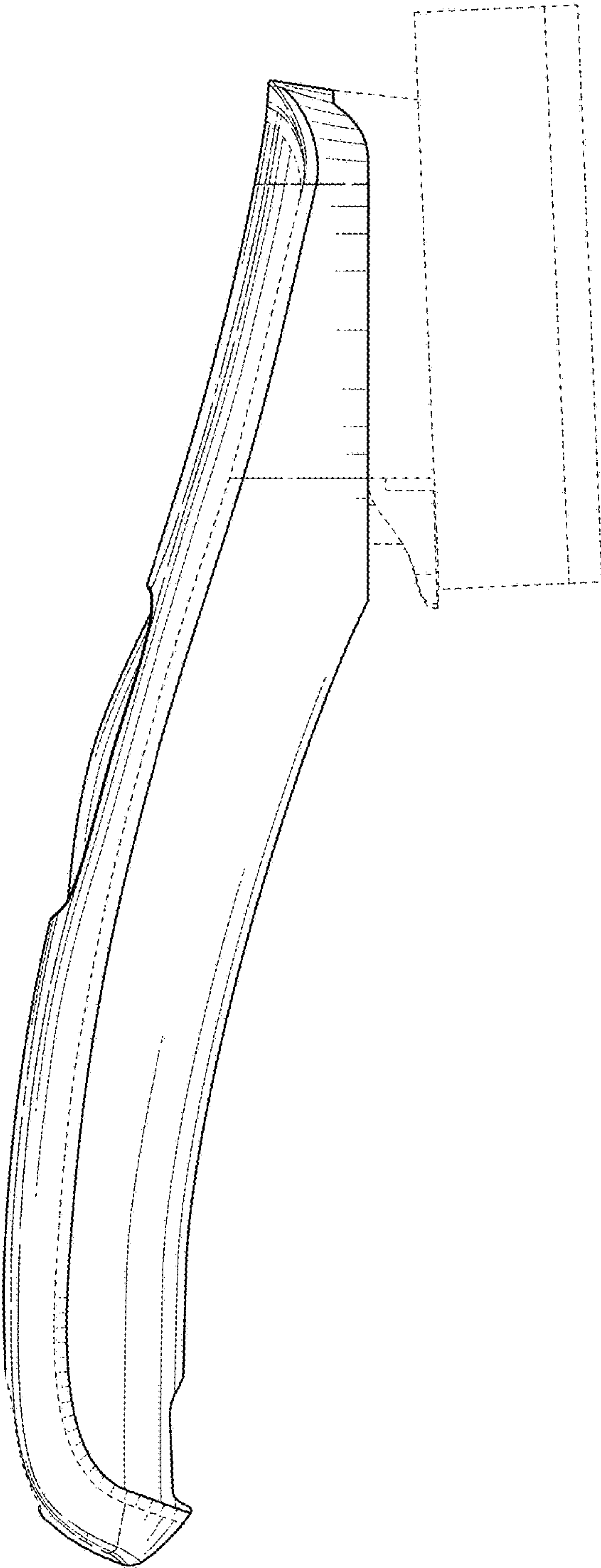


FIG. 4

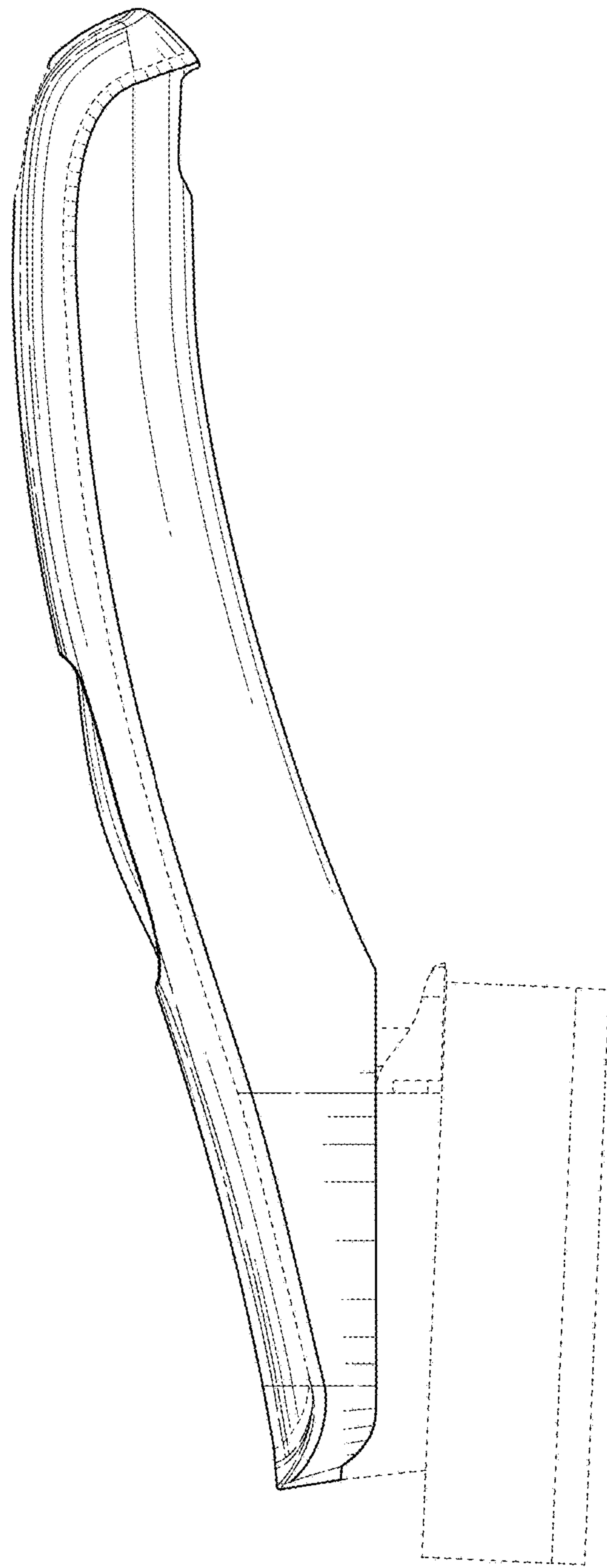


FIG. 5

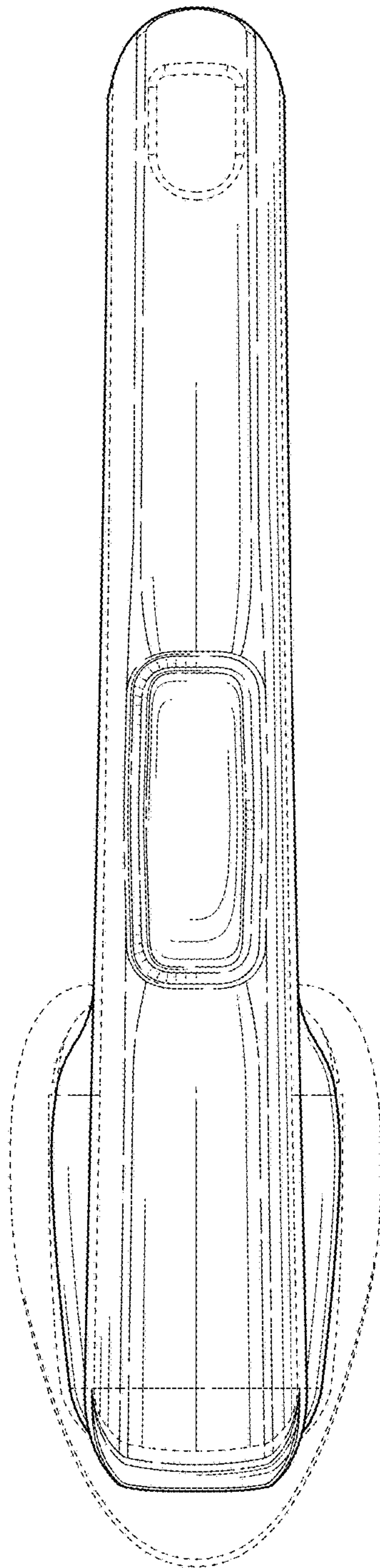


FIG. 6

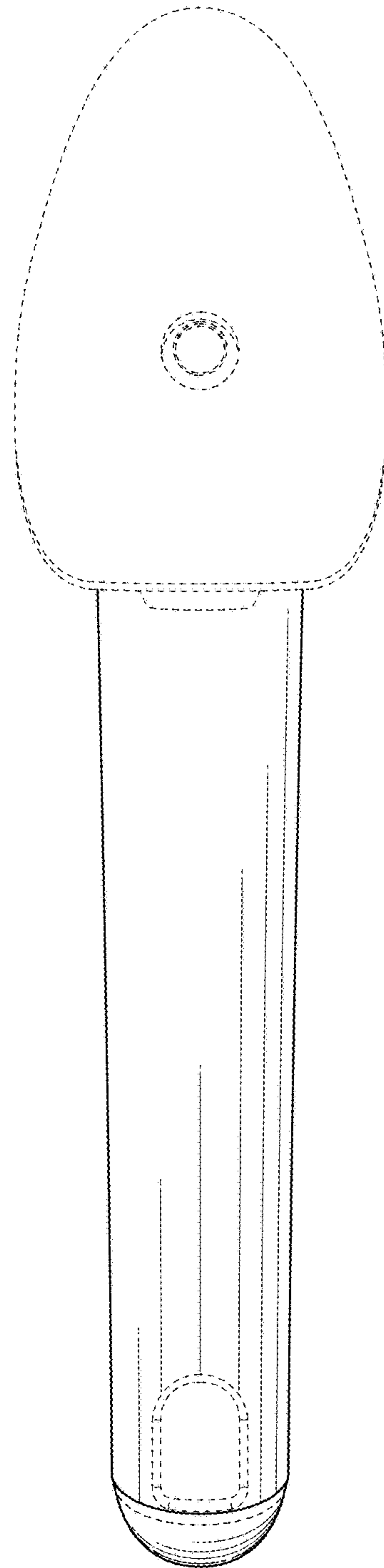


FIG. 7