



US00D841915S

(12) **United States Design Patent** (10) **Patent No.:** **US D841,915 S**  
**Cira** (45) **Date of Patent:** **\*\* Feb. 26, 2019**

(54) **HANDLE FOR A CLEANING PAD**  
(71) Applicant: **PROUD GRILL COMPANY LIMITED**, King City (CA)  
(72) Inventor: **Paul Cira**, Toronto (CA)  
(73) Assignee: **Proud Grill Company Limited** (CA)  
(\*\*) Term: **15 Years**  
(21) Appl. No.: **29/617,359**  
(22) Filed: **Sep. 13, 2017**  
(51) **LOC (11) Cl.** ..... **07-05**  
(52) **U.S. Cl.**  
USPC ..... **D32/42**  
(58) **Field of Classification Search**  
USPC ..... D32/40-43, 46-47; D8/101, 107, 45  
CPC ... A47L 1/06; A47L 1/00; A47L 13/20; A47L 13/254; A47L 13/11; A47L 13/10; A47L 13/16; A47L 13/12; G03D 15/02; F16K 1/22; B60S 1/38; A47K 7/03; B41F 15/40; B41F 15/42; B41F 15/14; B41F 15/44  
See application file for complete search history.

D310,012 S \* 8/1990 Henke ..... D8/45  
D373,715 S \* 9/1996 Fink ..... D8/45  
D392,079 S \* 3/1998 Omerza ..... D32/40  
D402,474 S \* 12/1998 Danielson ..... D4/137  
(Continued)

**FOREIGN PATENT DOCUMENTS**

CN 302358638 \* 3/2013  
CN 303316094 \* 8/2015  
CN 304149399 \* 5/2017

**OTHER PUBLICATIONS**

Remco Vikan Handheld Cleaning Pad Holder, website 2018, <http://remcoproducts.com/products/catalog/Pad>, site visited Sep. 16, 2018 (Year: 2018).\*

(Continued)

*Primary Examiner* — John Windmuller  
*Assistant Examiner* — John R Yeh  
(74) *Attorney, Agent, or Firm* — Sand & Sebolt

(57) **CLAIM**

The ornamental design for a handle for a cleaning pad, as shown and described.

(56) **References Cited**

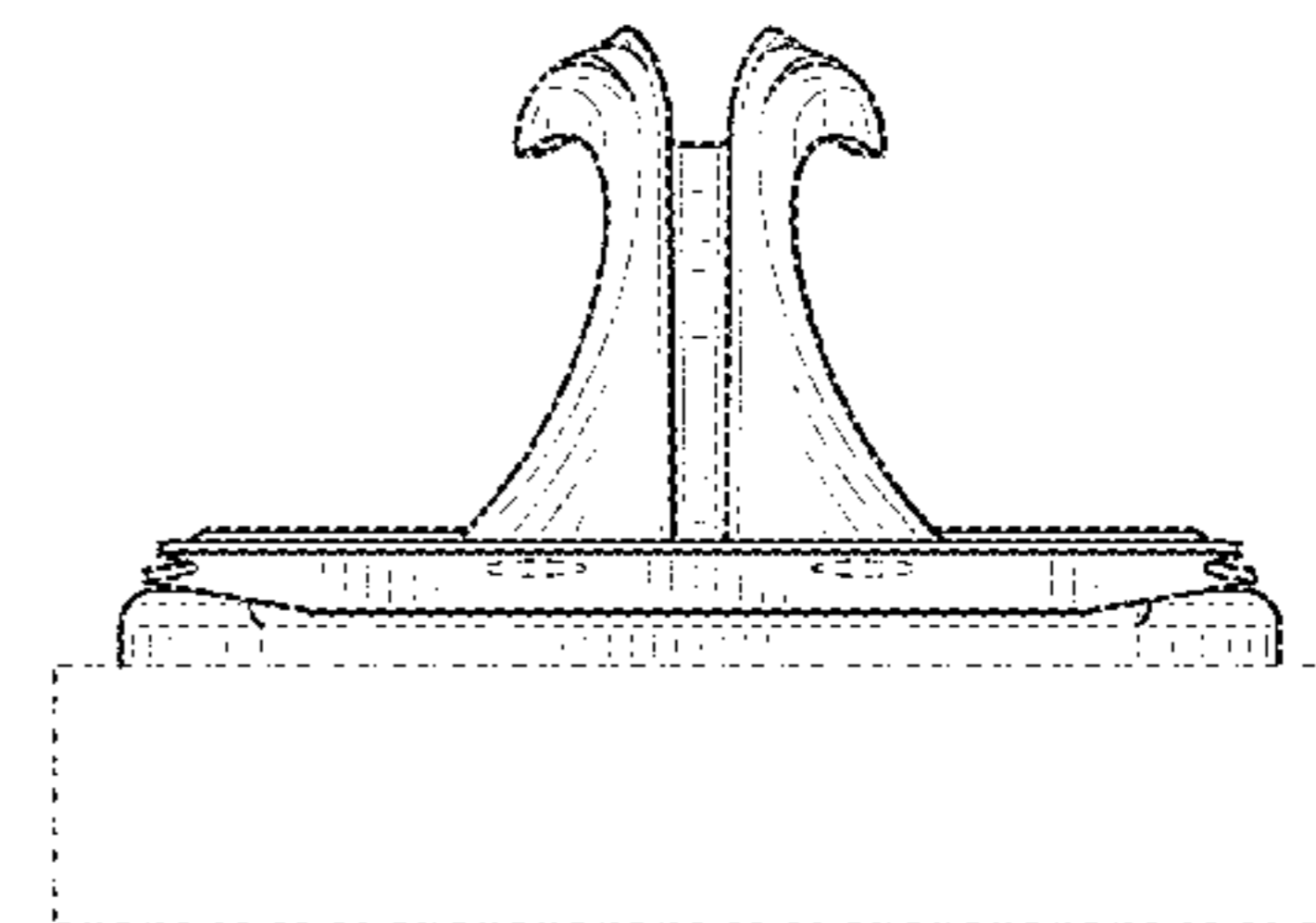
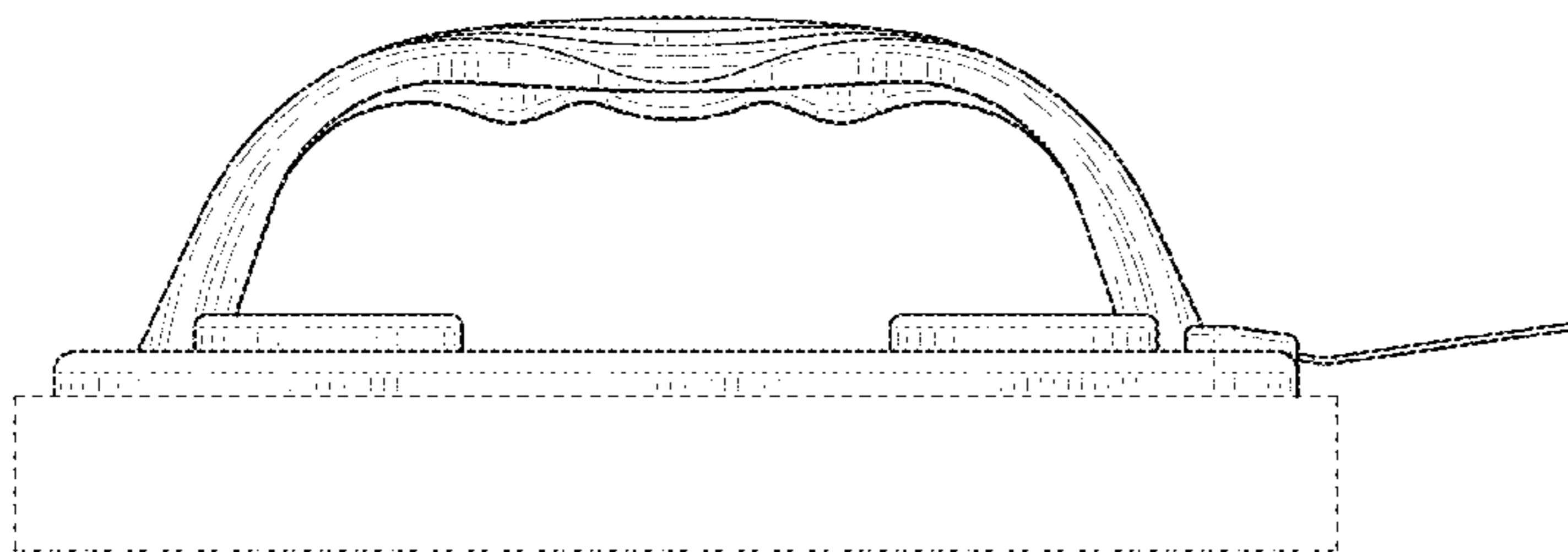
**U.S. PATENT DOCUMENTS**

1,509,807 A \* 9/1924 Gray ..... E04F 21/06  
15/235.4  
1,761,109 A \* 6/1930 Dietz ..... E04F 21/06  
15/235.4  
2,307,892 A \* 1/1943 Lowther ..... B44C 7/08  
33/382  
2,952,028 A \* 9/1960 Robbins ..... E04F 21/06  
15/235.4  
3,010,133 A \* 11/1961 Hurd ..... E04F 21/06  
15/235.4  
3,140,500 A \* 7/1964 Pilla ..... E04F 21/06  
15/235.4  
4,351,525 A \* 9/1982 Rozenblad ..... A63B 23/12  
482/141  
D278,790 S \* 5/1985 Chaney ..... D8/14

**DESCRIPTION**

FIG. 1 is a right side elevation view of a handle for a cleaning pad in accordance with my design; FIG. 2 is a left side elevation view thereof; FIG. 3 is a front elevation view thereof; FIG. 4 is a rear elevation view thereof; FIG. 5 is a top plan view thereof; FIG. 6 is a bottom plan view thereof; FIG. 7 is a section view taken along line 7-7 in FIG. 5; and, FIG. 8 is a section view taken along line 8-8 in FIG. 5. The broken lines illustrate portions of the environment which form no part of the claimed design.

**1 Claim, 5 Drawing Sheets**



(56)

**References Cited**

U.S. PATENT DOCUMENTS

D426,134 S \* 6/2000 Pytlewski ..... D8/107  
D453,672 S \* 2/2002 McCoy ..... D8/45  
6,493,899 B1 \* 12/2002 Hintz ..... B44D 3/06  
15/147.1  
6,505,408 B1 \* 1/2003 Talamantez ..... G01C 9/26  
15/235.4  
D474,389 S \* 5/2003 Panfili ..... D8/45  
6,640,378 B2 \* 11/2003 Hsu ..... B25G 1/102  
15/143.1  
D504,601 S \* 5/2005 Jimenez ..... D8/45  
D525,508 S \* 7/2006 Leonard, II ..... D8/90  
D668,124 S \* 10/2012 Lewis ..... D8/45  
D680,401 S \* 4/2013 Renfro ..... D8/71  
D811,849 S \* 3/2018 Chou ..... D8/107

OTHER PUBLICATIONS

Unger PHD20 8' Handheld Aluminum Pad Holder, Webstaurant website 2018, <https://www.webstaurantstore.com/unger-phd20-8-handheld-aluminum-pad-holder/905PH> . . . site visited Sep. 16, 2018 (Year: 2018).\*

\* cited by examiner

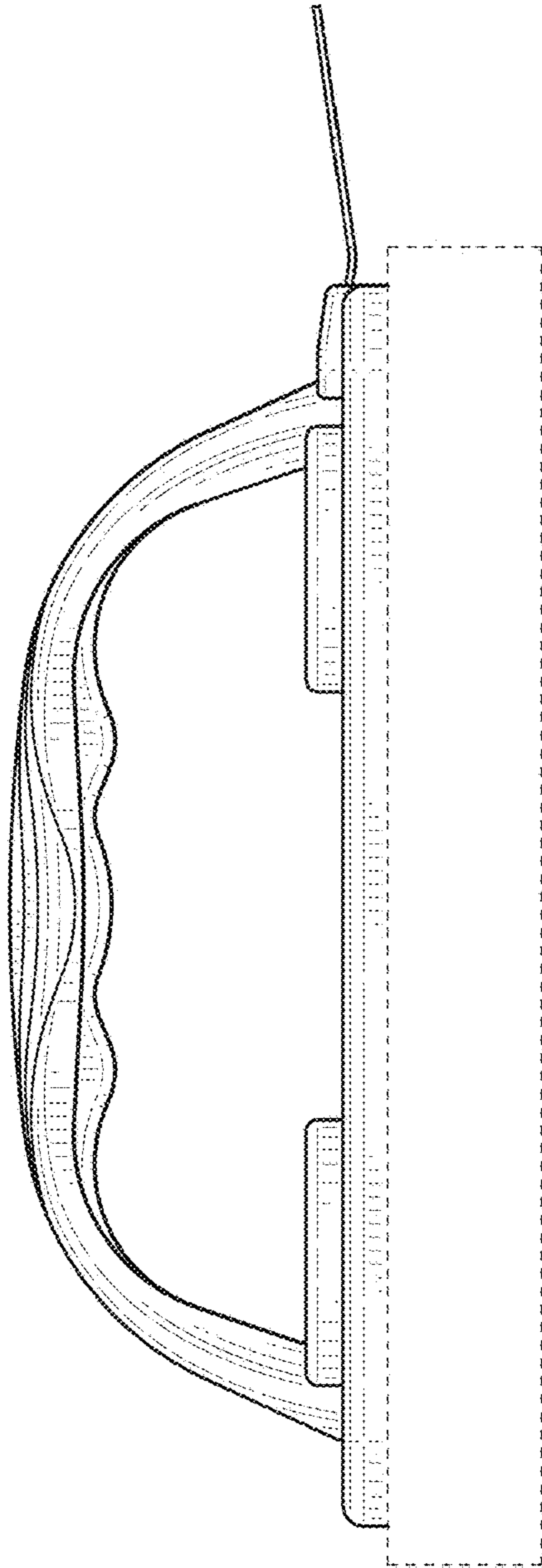


FIG. 1

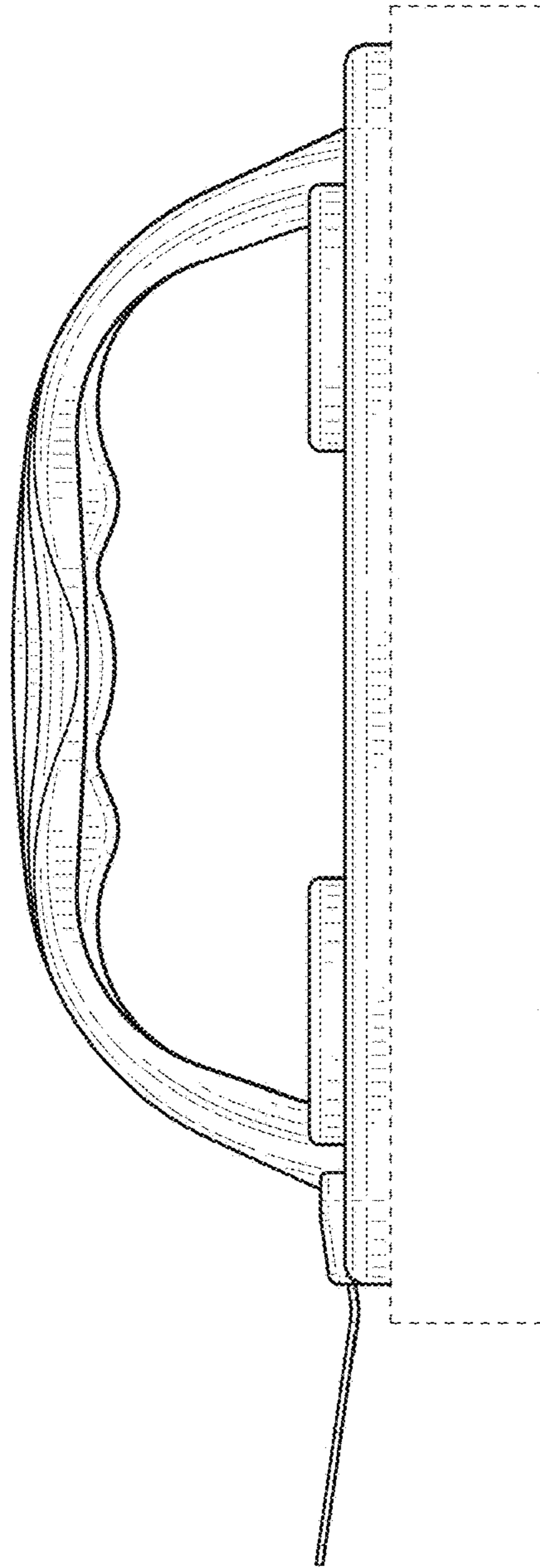


FIG. 2

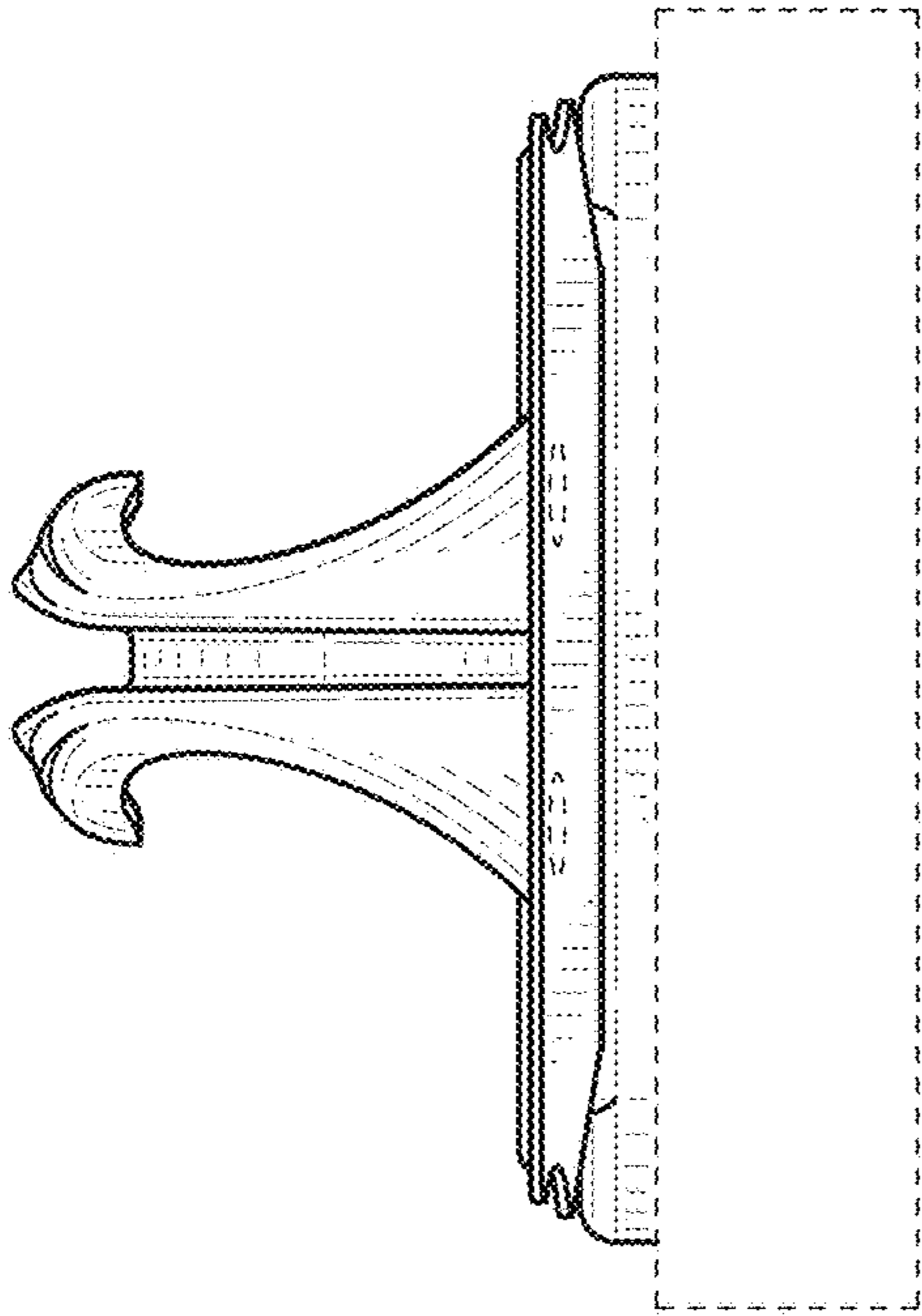


FIG. 3

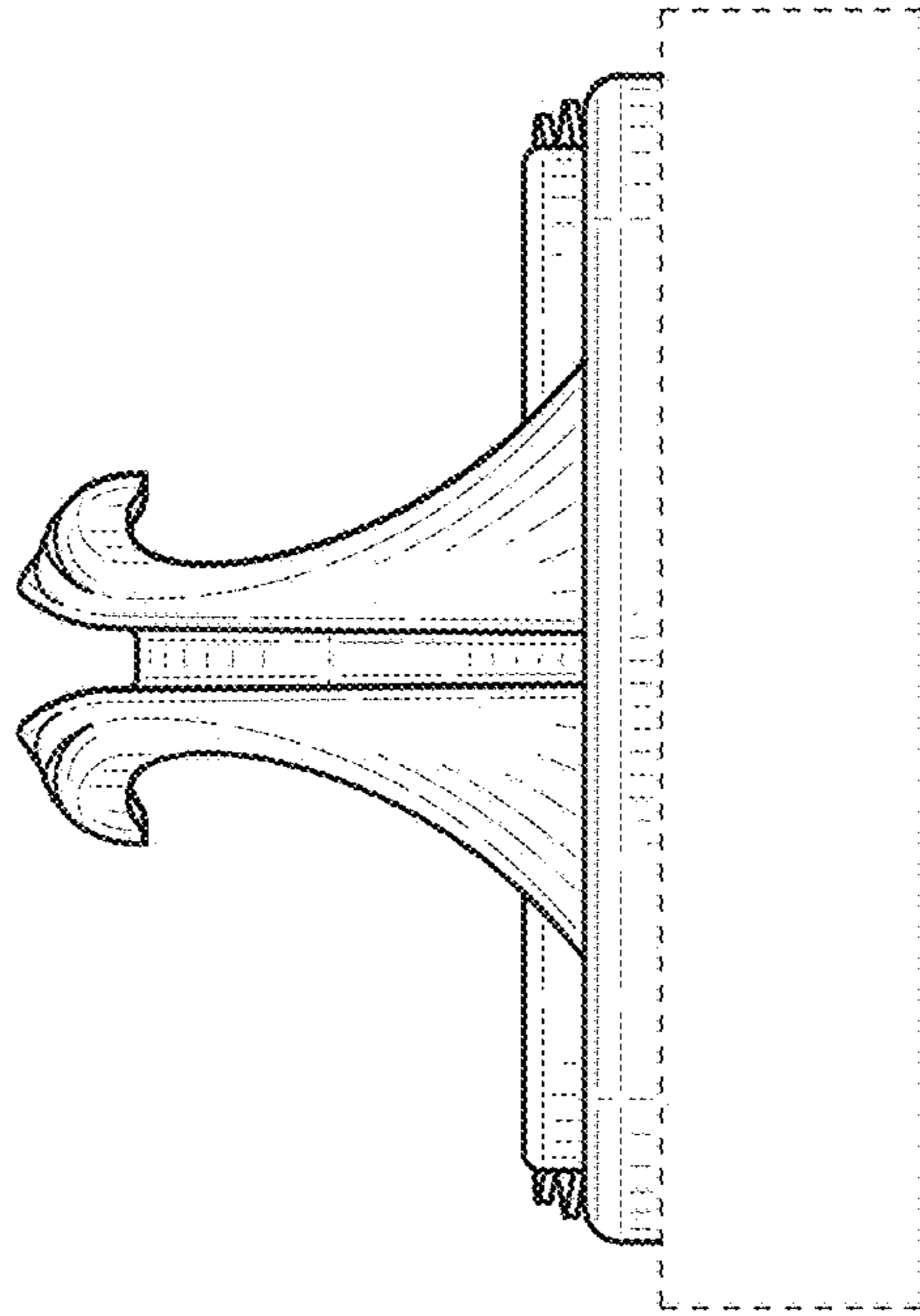
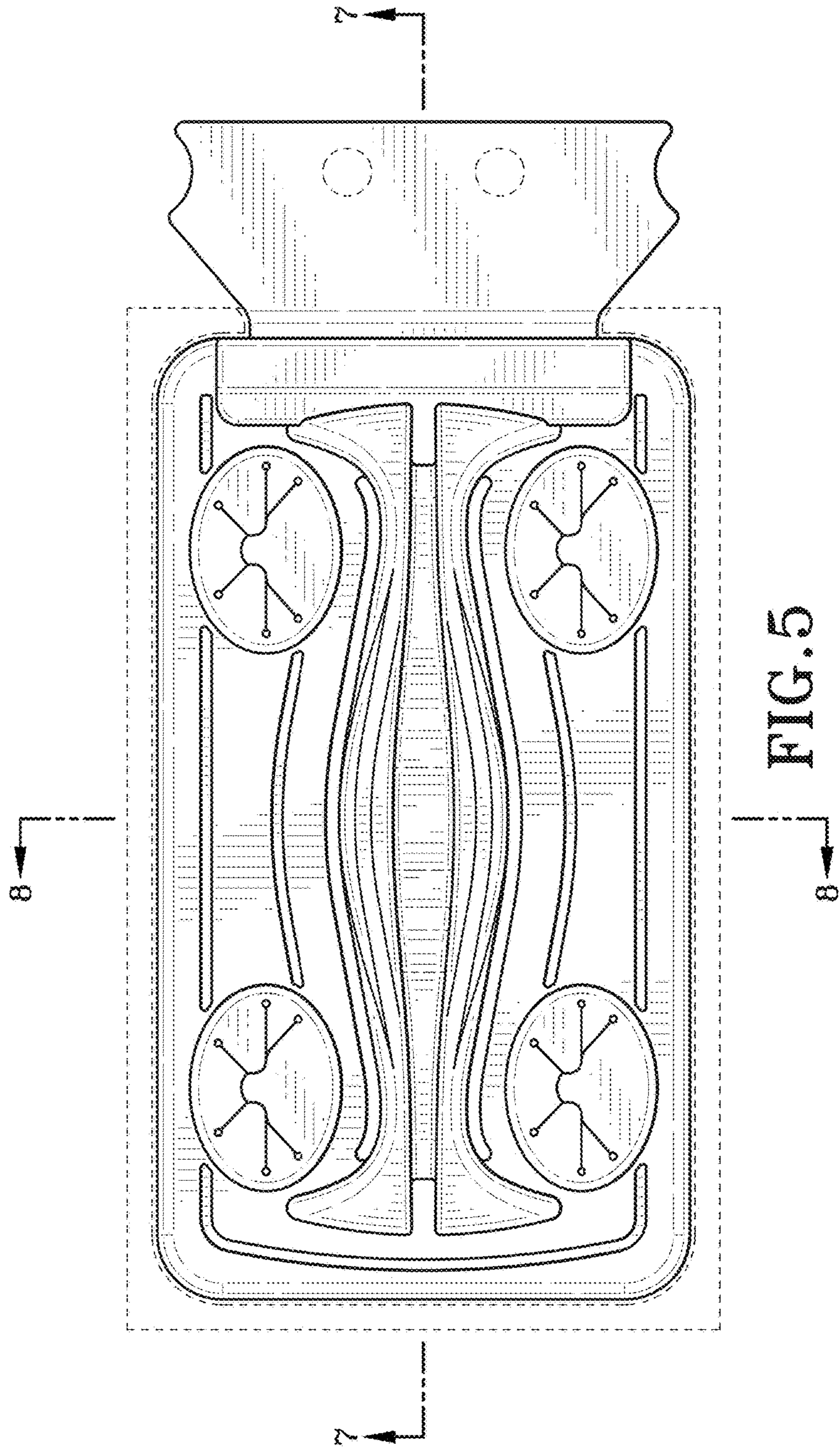


FIG. 4



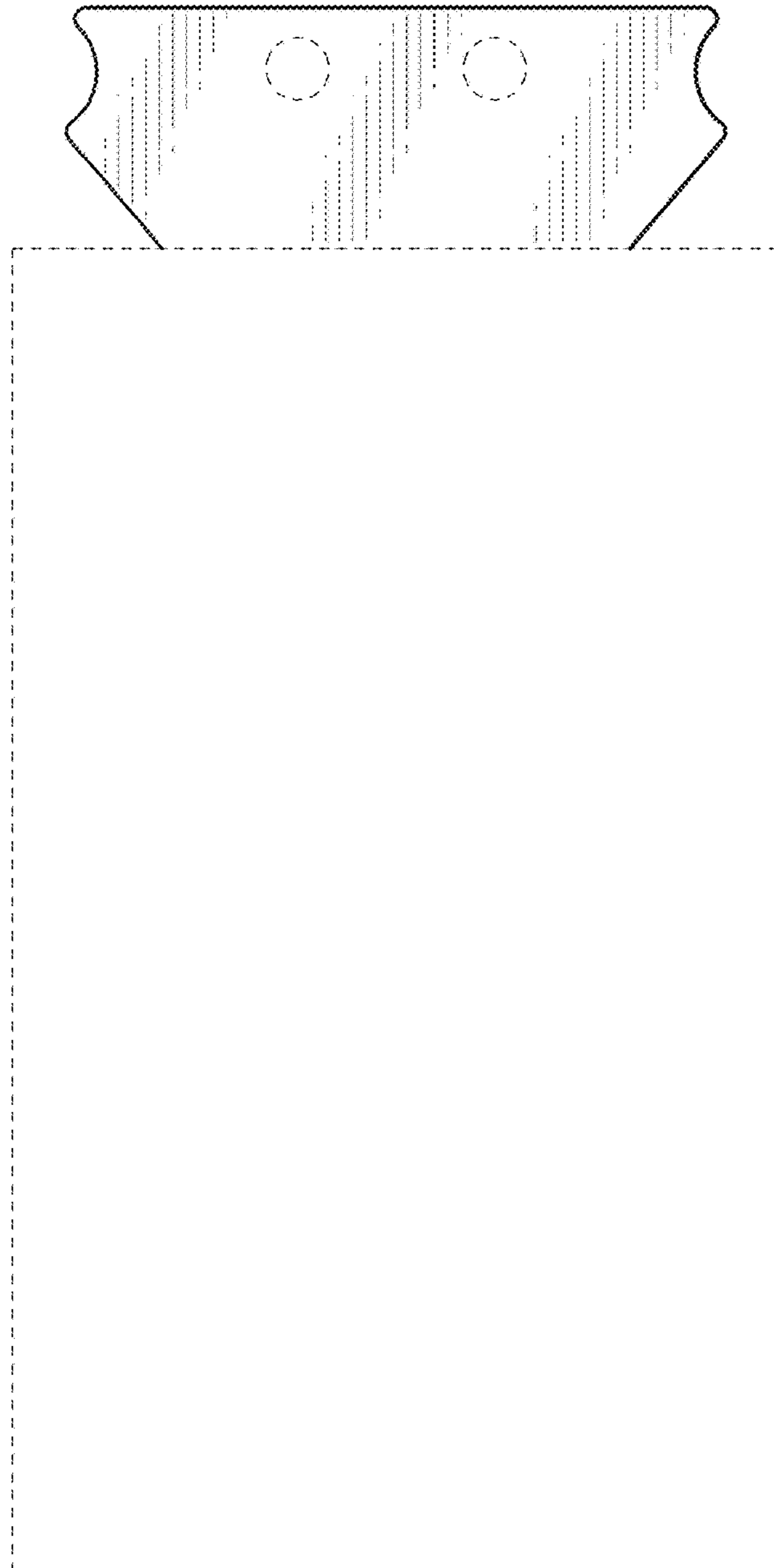


FIG. 6

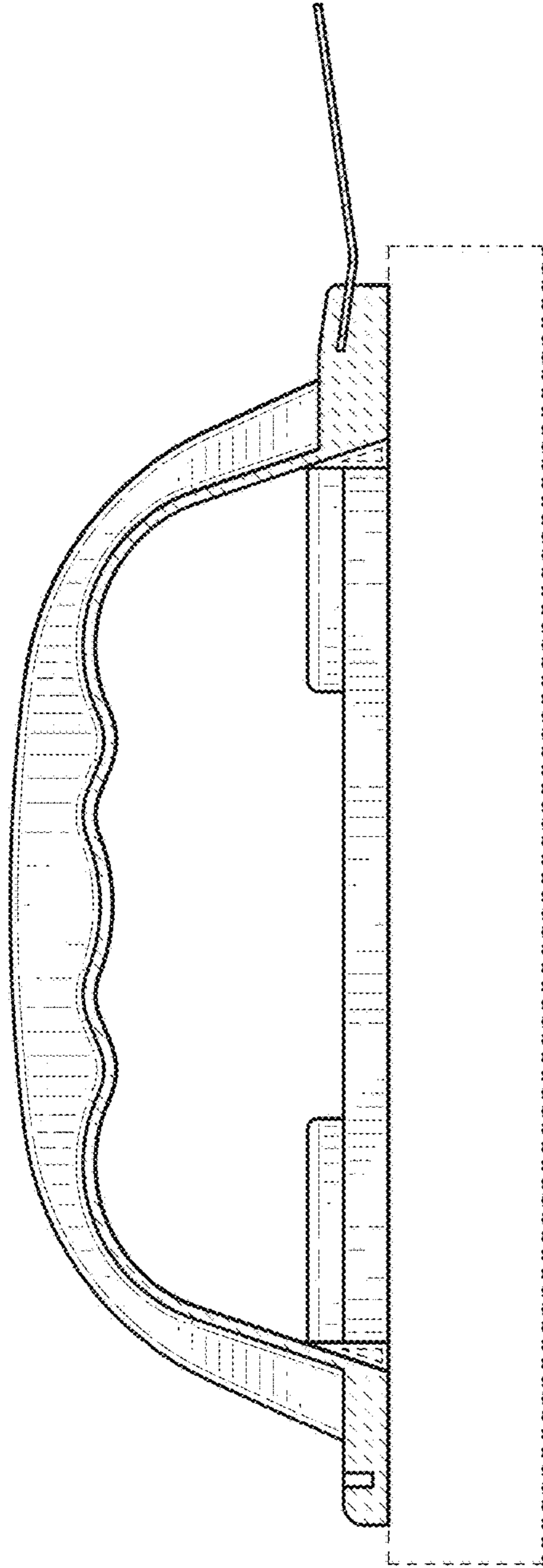


FIG. 7

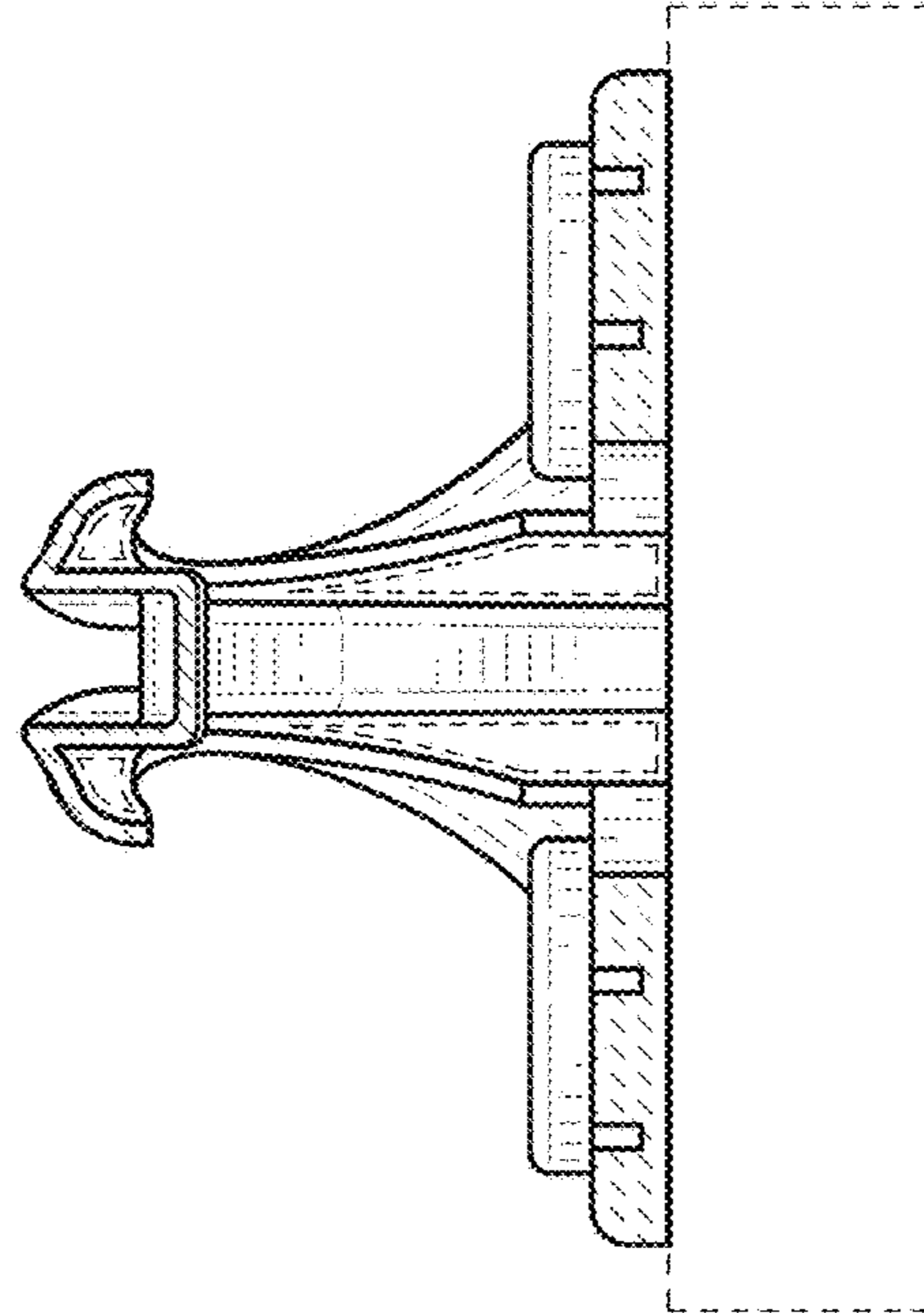


FIG. 8