



US00D841908S

(12) **United States Design Patent** (10) **Patent No.:** **US D841,908 S**
Ayers et al. (45) **Date of Patent:** **** Feb. 26, 2019**

(54) **DRYER**
(71) Applicant: **WHIRLPOOL CORPORATION**,
Benton Harbor, MI (US)
(72) Inventors: **Kevin B. Ayers**, St. Joseph, MI (US);
Abhijet Bhattacharya, Lehi, UT (US);
Seth E. Bixby, Stevensville, MI (US);
Andrew Kubasiak, St. Joseph, MI
(US); **Michael R. Mackay**, St. Joseph,
MI (US); **David Miller**, Zeeland, MI
(US)
(73) Assignee: **Whirlpool Corporation**, Benton
Harbor, MI (US)

D627,115 S 11/2010 Jeon et al.
D631,623 S 1/2011 Chung et al.
D681,892 S 5/2013 Meda et al.
D703,887 S * 4/2014 Lee D32/8
D708,800 S 7/2014 Choi et al.
D718,505 S 11/2014 Hyounsub et al.
D754,937 S * 4/2016 Kim D32/8
D758,030 S * 5/2016 Bixby D32/25
D758,032 S * 5/2016 Bixby D32/25
D760,968 S * 7/2016 Choi D32/8
D772,506 S * 11/2016 Bixby D32/25
D772,507 S * 11/2016 Bixby D32/25
D778,010 S * 1/2017 Choi D32/8
D795,512 S * 8/2017 Joo D32/8
D798,005 S * 9/2017 Bixby D32/6
D798,511 S * 9/2017 Bixby D32/6
D812,325 S * 3/2018 Bixby D32/8
D818,219 S * 5/2018 Bixby D32/6

(**) Term: **15 Years**
(21) Appl. No.: **29/657,457**
(22) Filed: **Jul. 23, 2018**

(Continued)
Primary Examiner — Ian Simmons
Assistant Examiner — Yolanda Robinson
(74) *Attorney, Agent, or Firm* — Price Heneveld, LLP

Related U.S. Application Data

(62) Division of application No. 29/539,919, filed on Sep.
18, 2015, now Pat. No. Des. 826,494.
(51) **LOC (11) Cl.** **15-05**
(52) **U.S. Cl.**
USPC **D32/25**
(58) **Field of Classification Search**
USPC D32/8, 10, 16, 24, 25, 28; 34/58, 108,
34/242, 595-597; 312/228
CPC D06F 58/00; D06F 58/02; D06F 58/04;
D06F 58/10; D06F 58/28
See application file for complete search history.

(57) **CLAIM**

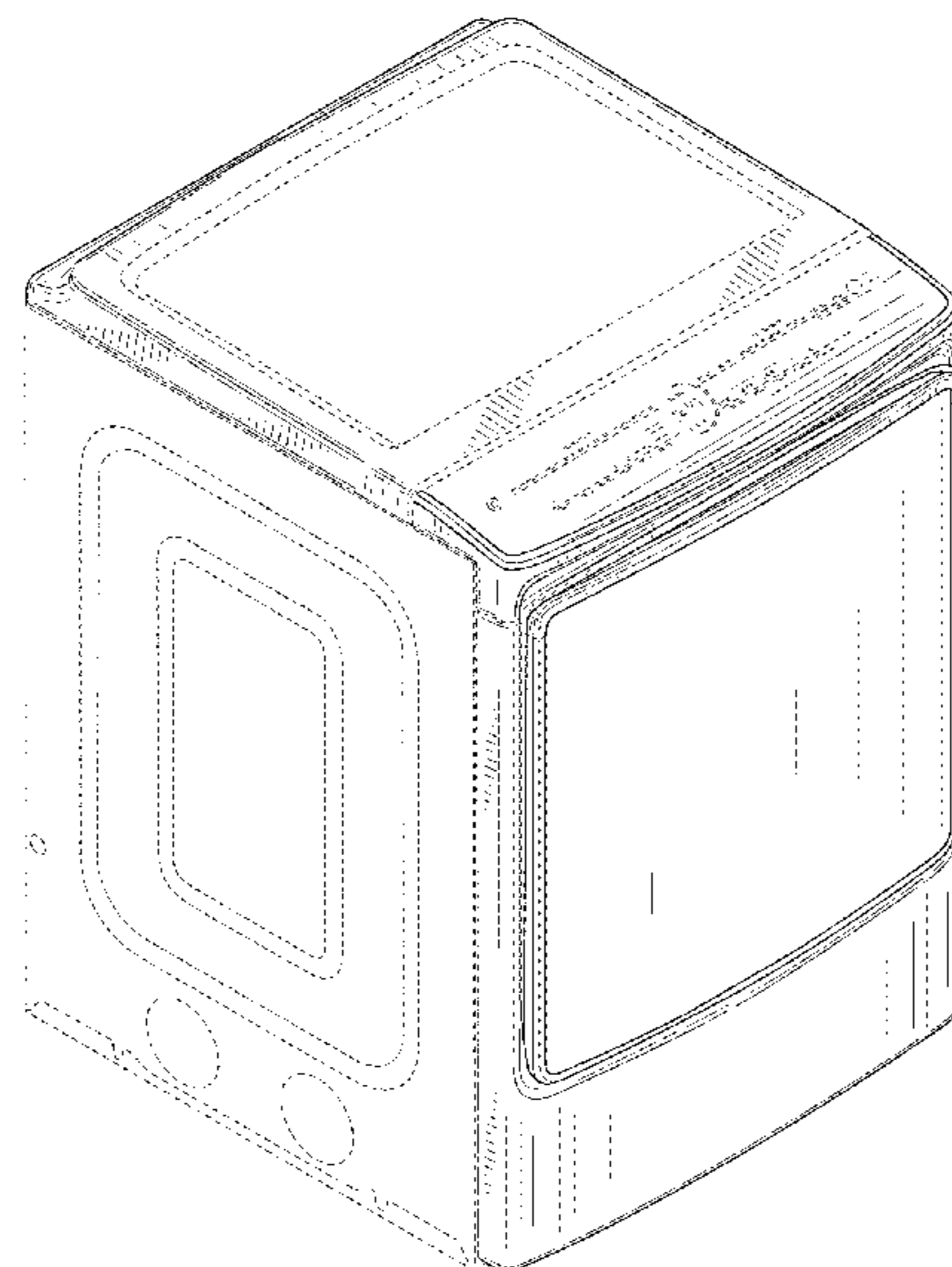
The ornamental design for a dryer, as shown and described.

DESCRIPTION

FIG. 1 is a front-left perspective view of a dryer according to a first embodiment of our design;
FIG. 2 is a front elevation view thereof;
FIG. 3 is a back elevation view thereof;
FIG. 4 is a left side elevation view thereof;
FIG. 5 is a right side elevation view thereof;
FIG. 6 is a top plan view thereof; and,
FIG. 7 is a bottom plan view thereof.
The broken line showing of various features is for the purpose of illustrating unclaimed portions of the washing machine and forms no part of the claimed design.
Dash-dot lines adjacent un-shaded areas represent bounds of the claimed design and form no part thereof.

(56) **References Cited**
U.S. PATENT DOCUMENTS
D589,215 S 3/2009 Cho et al.
D618,865 S 6/2010 Cline et al.

1 Claim, 7 Drawing Sheets



(56)

References Cited

U.S. PATENT DOCUMENTS

D826,494 S * 8/2018 Ayers D32/25
2009/0193678 A1* 8/2009 Latack D06F 58/04
34/139
2018/0187366 A1* 7/2018 Adkins D06F 39/005

* cited by examiner

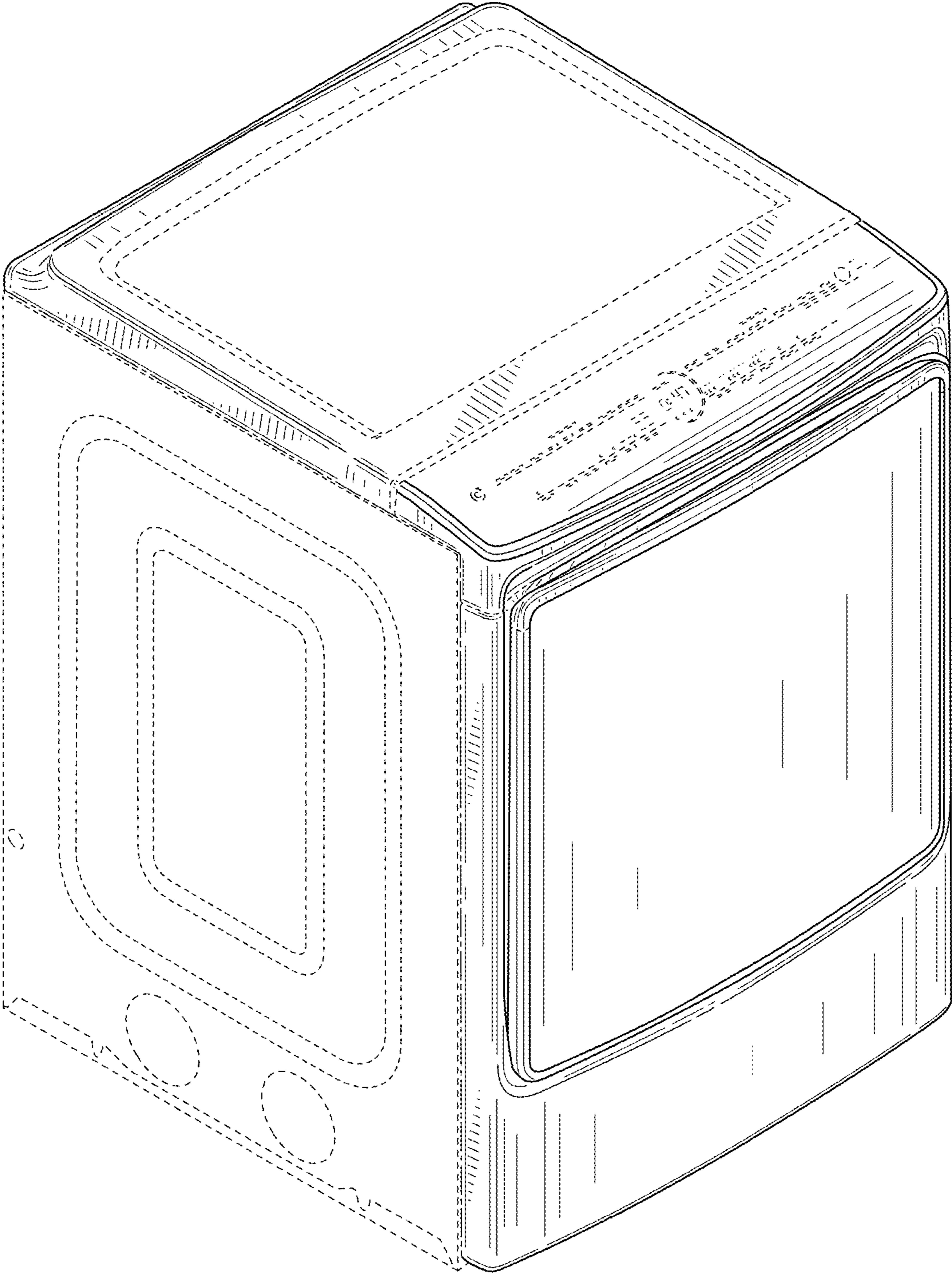


FIG. 1

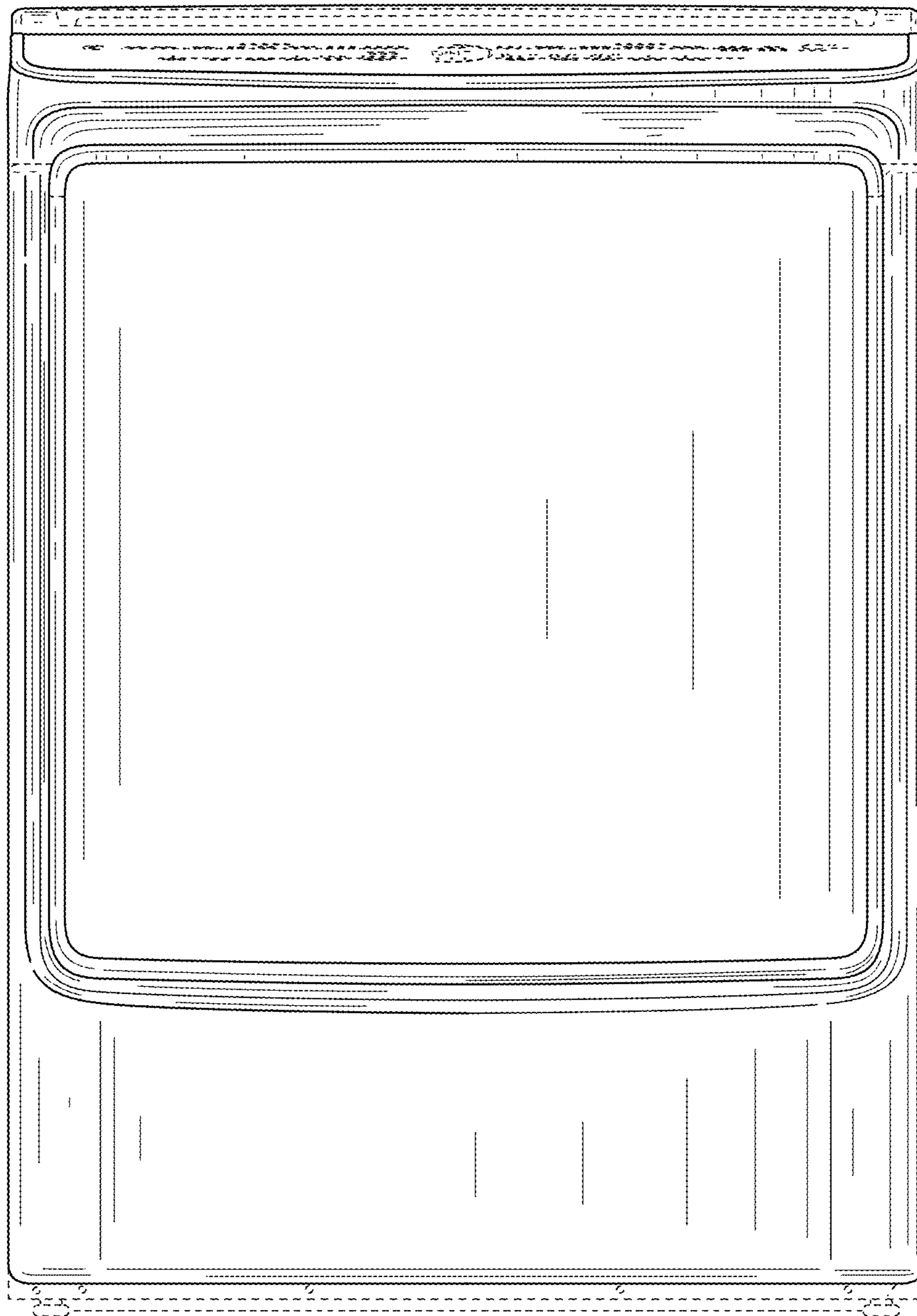


FIG. 2

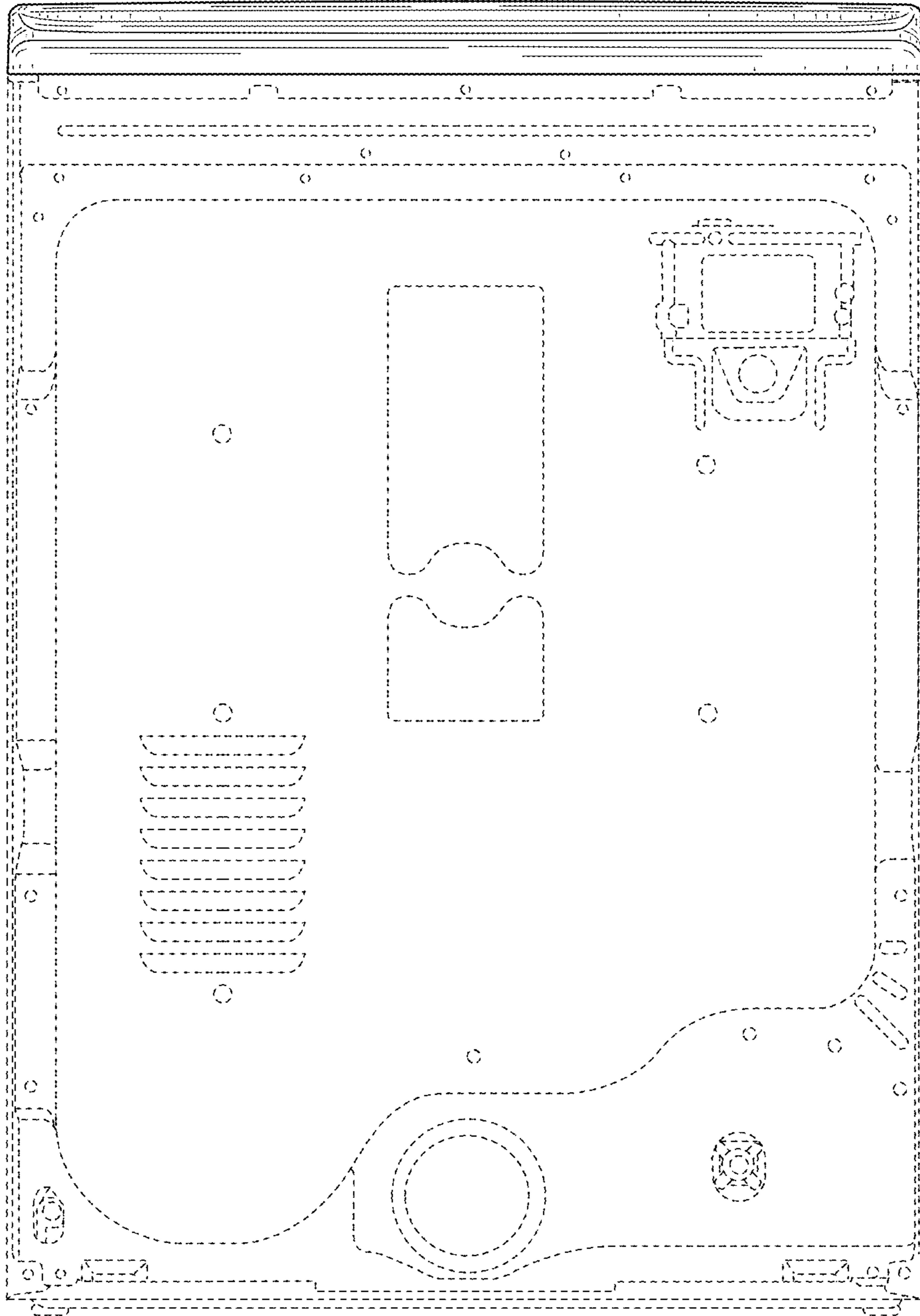


FIG. 3

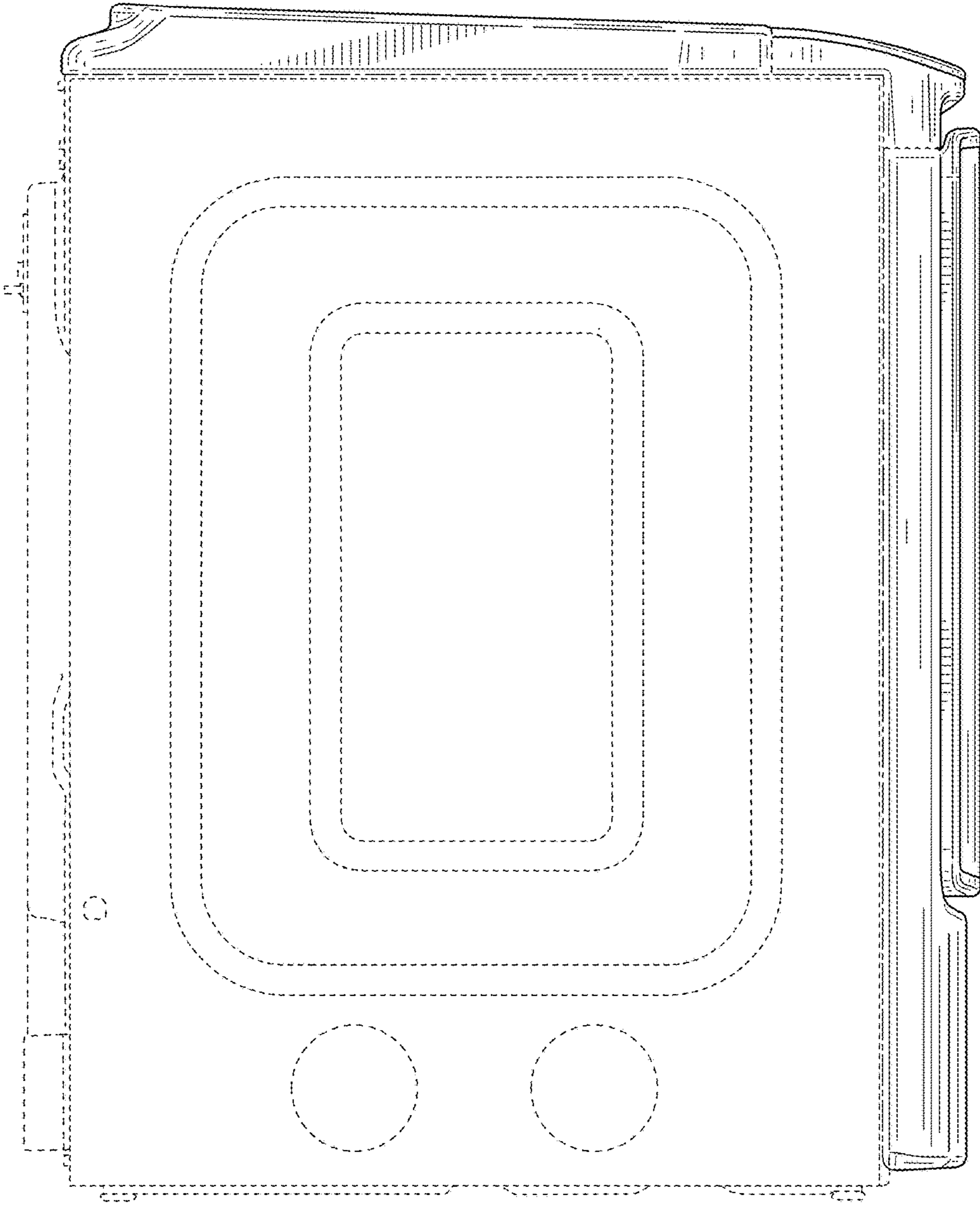


FIG. 4

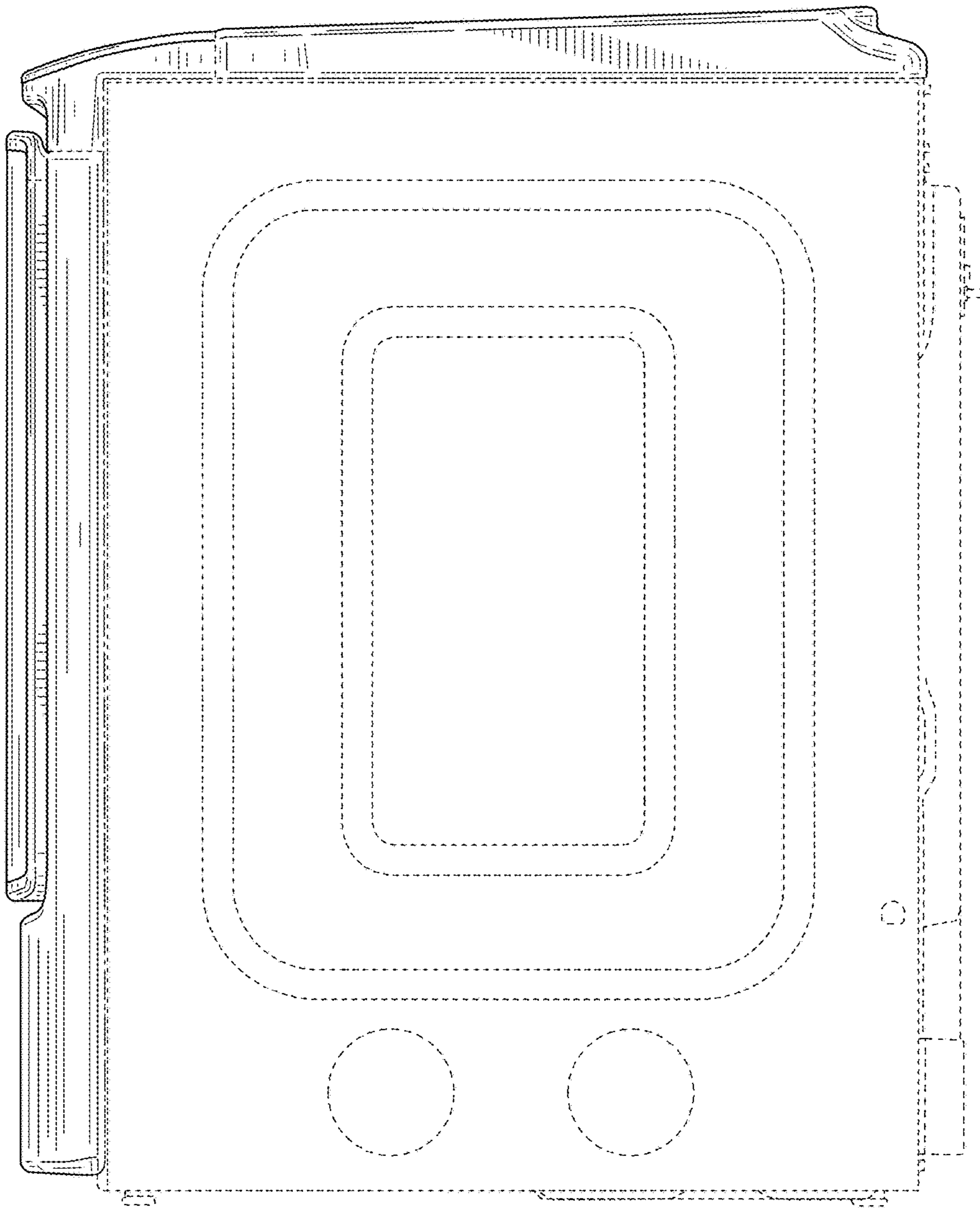


FIG. 5

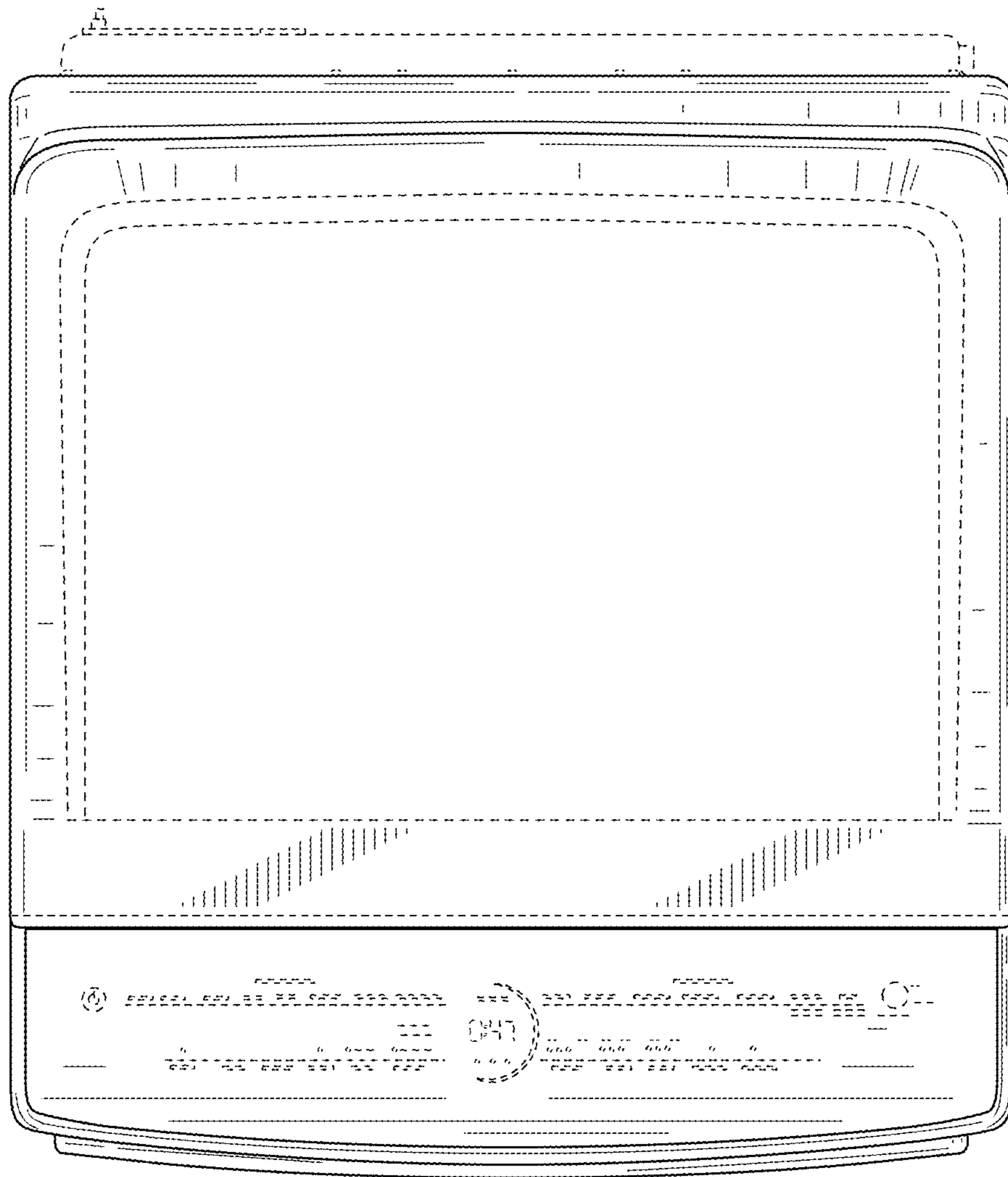


FIG. 6

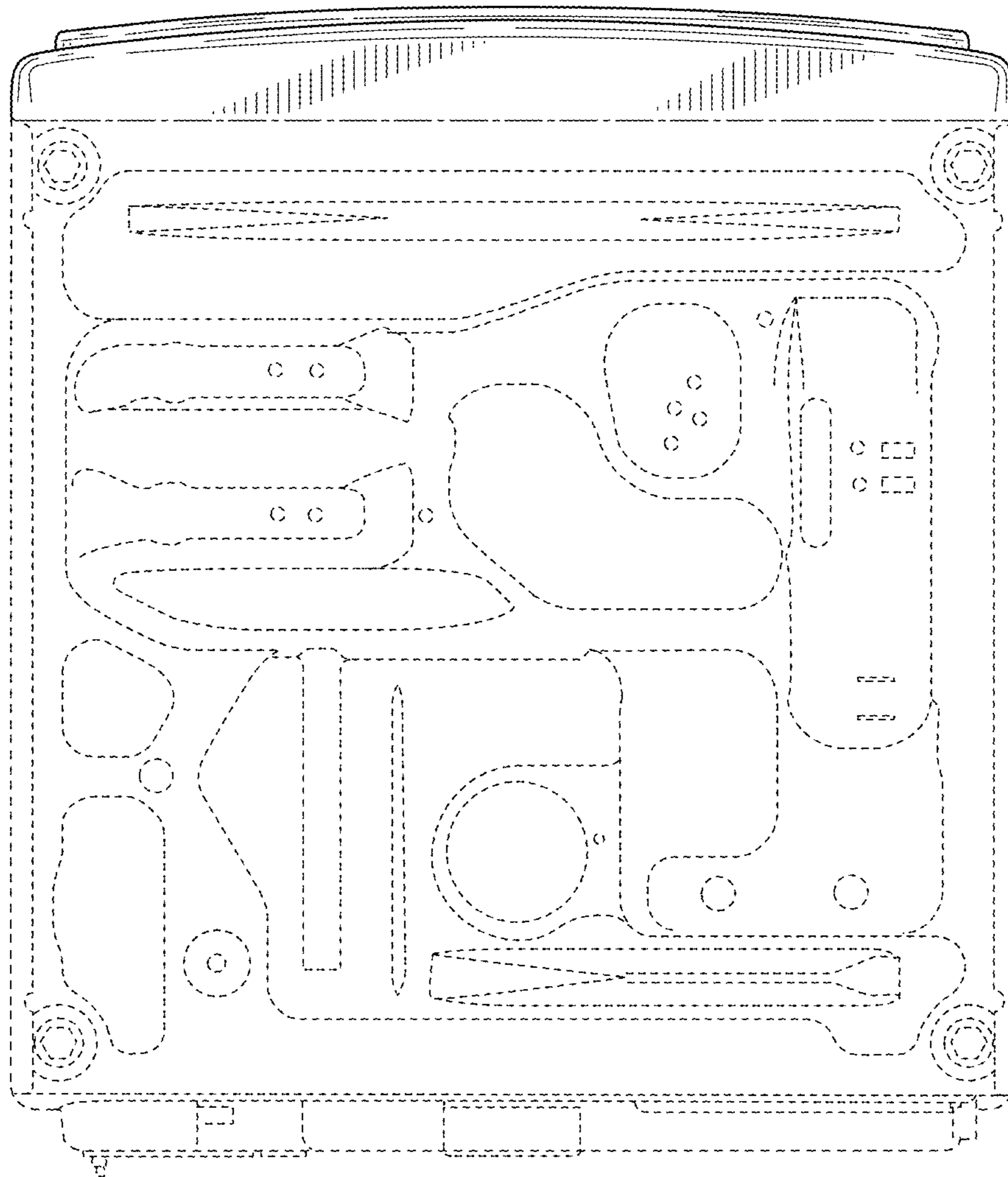


FIG. 7