



US00D841907S

(12) **United States Design Patent**
Nam et al.

(10) **Patent No.:** **US D841,907 S**
(45) **Date of Patent:** **** Feb. 26, 2019**

(54) **VACUUM CLEANER**

(71) Applicant: **LG ELECTRONICS INC.**, Seoul (KR)

(72) Inventors: **Bohyun Nam**, Seoul (KR); **Seunghyun Song**, Seoul (KR); **Jungkyu Son**, Seoul (KR); **Sehwan Bae**, Seoul (KR); **Myungwhoon Lee**, Seoul (KR)

(73) Assignee: **LG ELECTRONICS INC.**, Seoul (KR)

(**) Term: **15 Years**

(21) Appl. No.: **29/597,986**

(22) Filed: **Mar. 22, 2017**

(51) **LOC (11) Cl.** **15-05**

(52) **U.S. Cl.**
USPC **D32/21**

(58) **Field of Classification Search**
USPC D32/21-24, 31
CPC E04H 4/1654; A47L 9/2842; A47L 9/26;
A47L 9/325; A47L 9/009; A47L 11/34;
A47L 5/362; A47L 5/365; A47L 7/0004;
A47L 7/0019

See application file for complete search history.

(56) **References Cited**

U.S. PATENT DOCUMENTS

D539,492 S * 3/2007 Konno D32/21
D552,810 S * 10/2007 Shin D32/21

D553,811 S * 10/2007 Shin D32/21
D709,253 S * 7/2014 Lim D32/21
D718,504 S * 11/2014 Carter D32/21
D724,281 S * 3/2015 Irfan D32/21
D724,799 S * 3/2015 Yun D32/21
D728,175 S * 4/2015 Park D32/21
D745,758 S * 12/2015 Carter D32/21
D746,524 S * 12/2015 Kim D32/21
D785,877 S * 5/2017 Cao D32/21
D792,037 S * 7/2017 Yin D32/21
D812,329 S * 3/2018 Nam D32/21

* cited by examiner

Primary Examiner — Ruth McInroy

(74) *Attorney, Agent, or Firm* — Birch, Stewart, Kolasch & Birch, LLP

(57) **CLAIM**

The ornamental design for a vacuum cleaner, as shown and described.

DESCRIPTION

FIG. 1 is a front, right side, perspective view of a vacuum cleaner showing our new design;
FIG. 2 is a front view thereof;
FIG. 3 is a rear view thereof;
FIG. 4 is a left side view thereof;
FIG. 5 is a right side view thereof;
FIG. 6 is a top view thereof; and,
FIG. 7 is a bottom view.

The broken lines shown in the Figures depict portions of the vacuum cleaner that form no part of the claimed design.

1 Claim, 7 Drawing Sheets

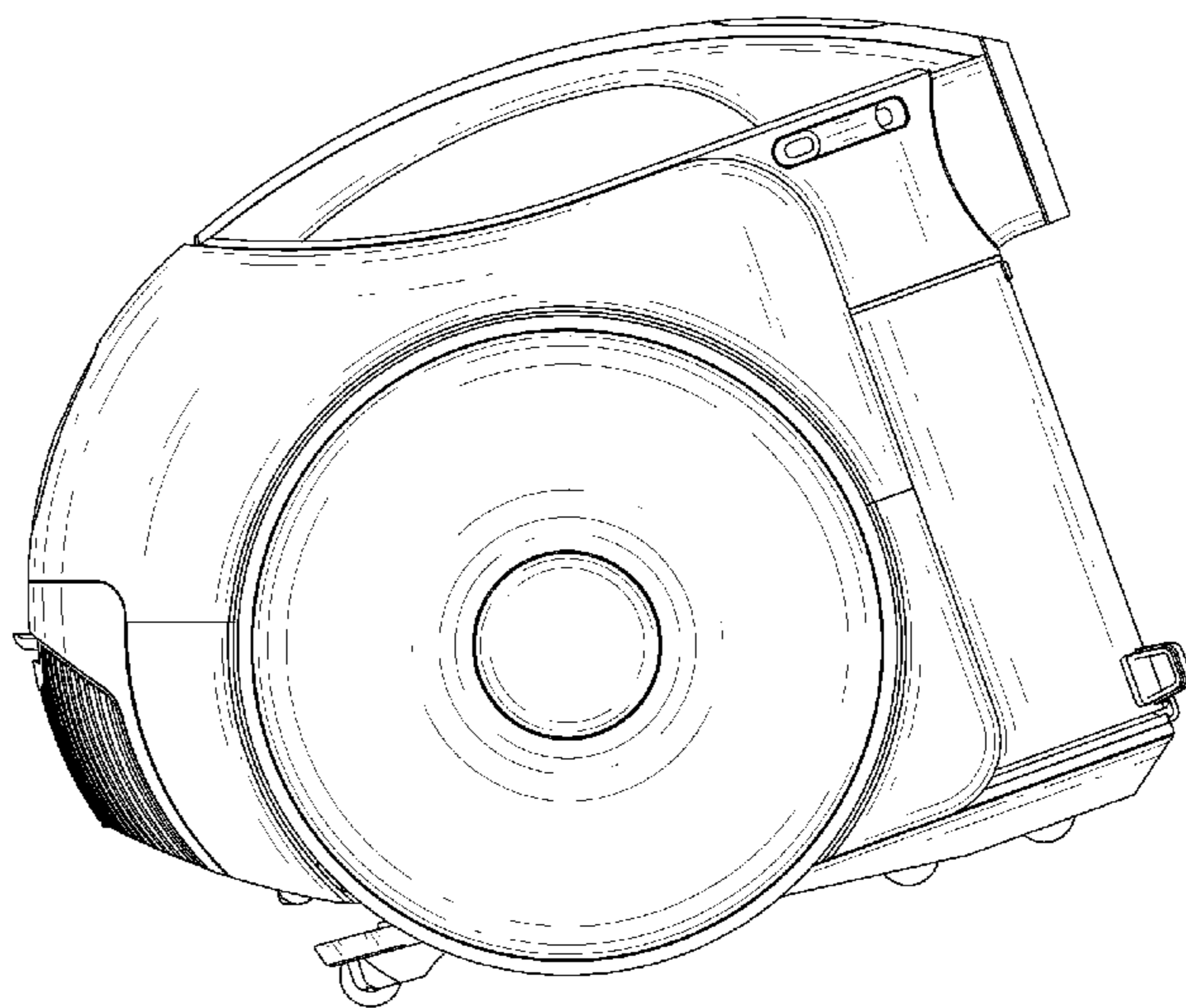
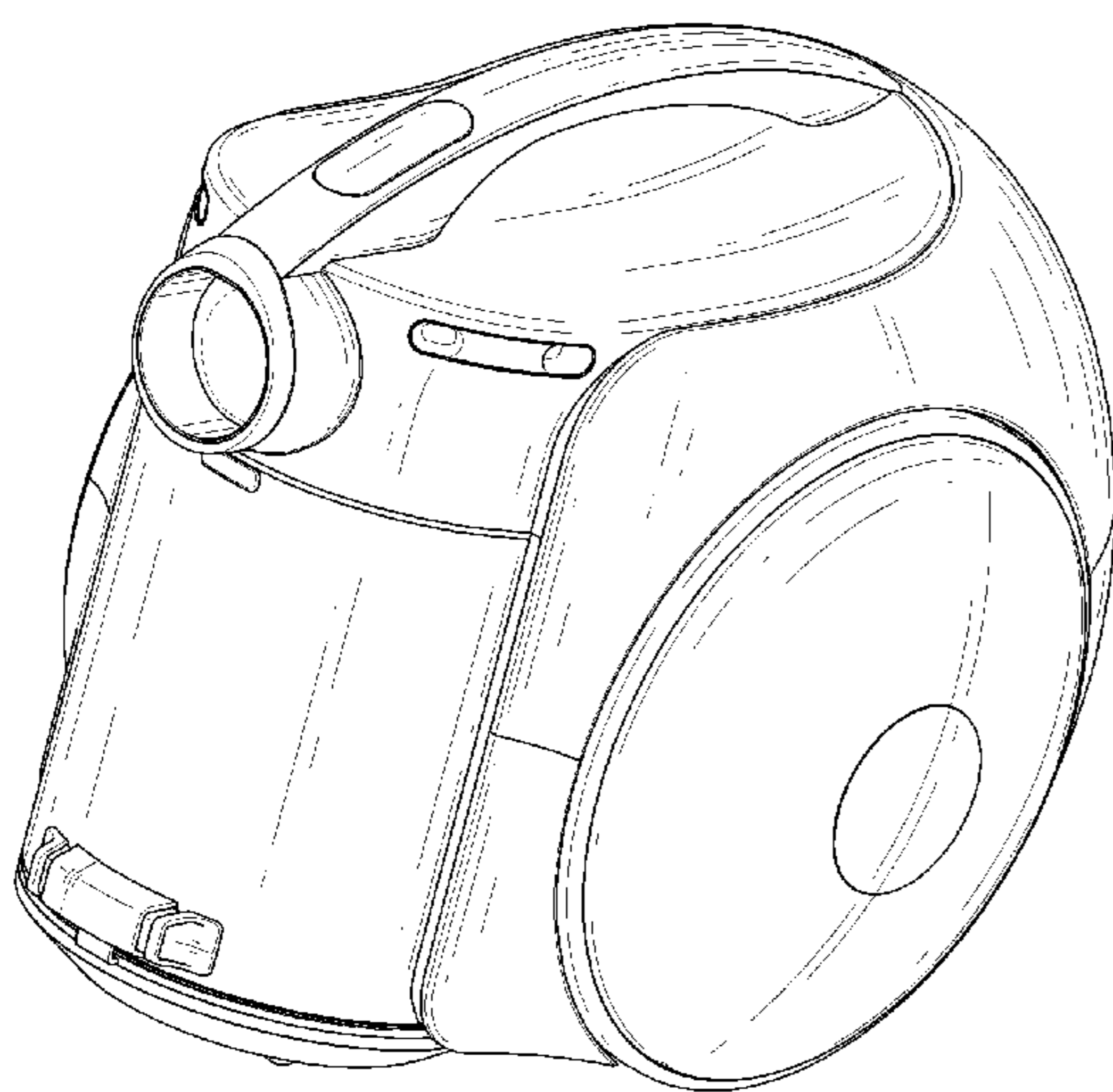


FIG. 1

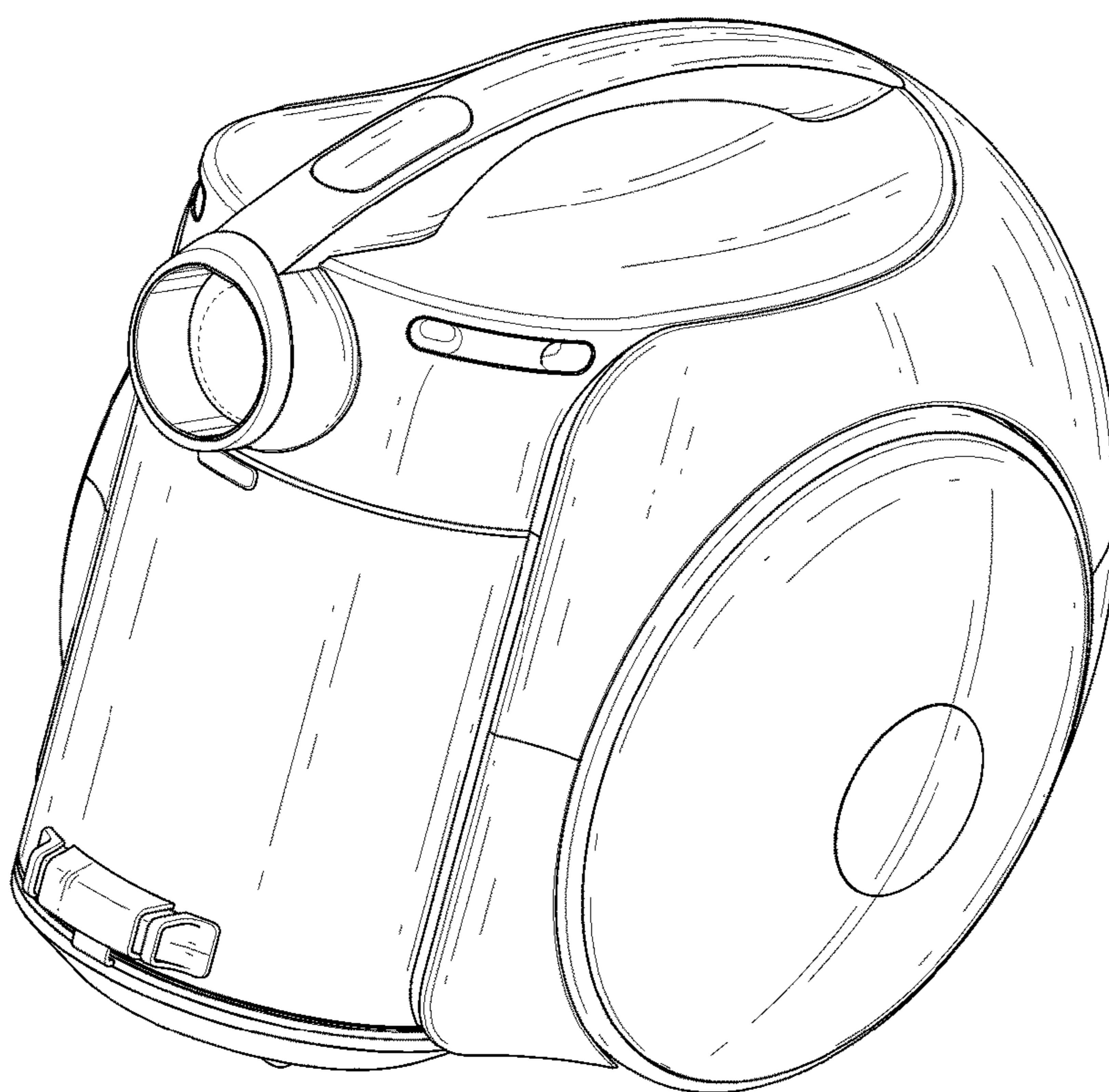


FIG. 2

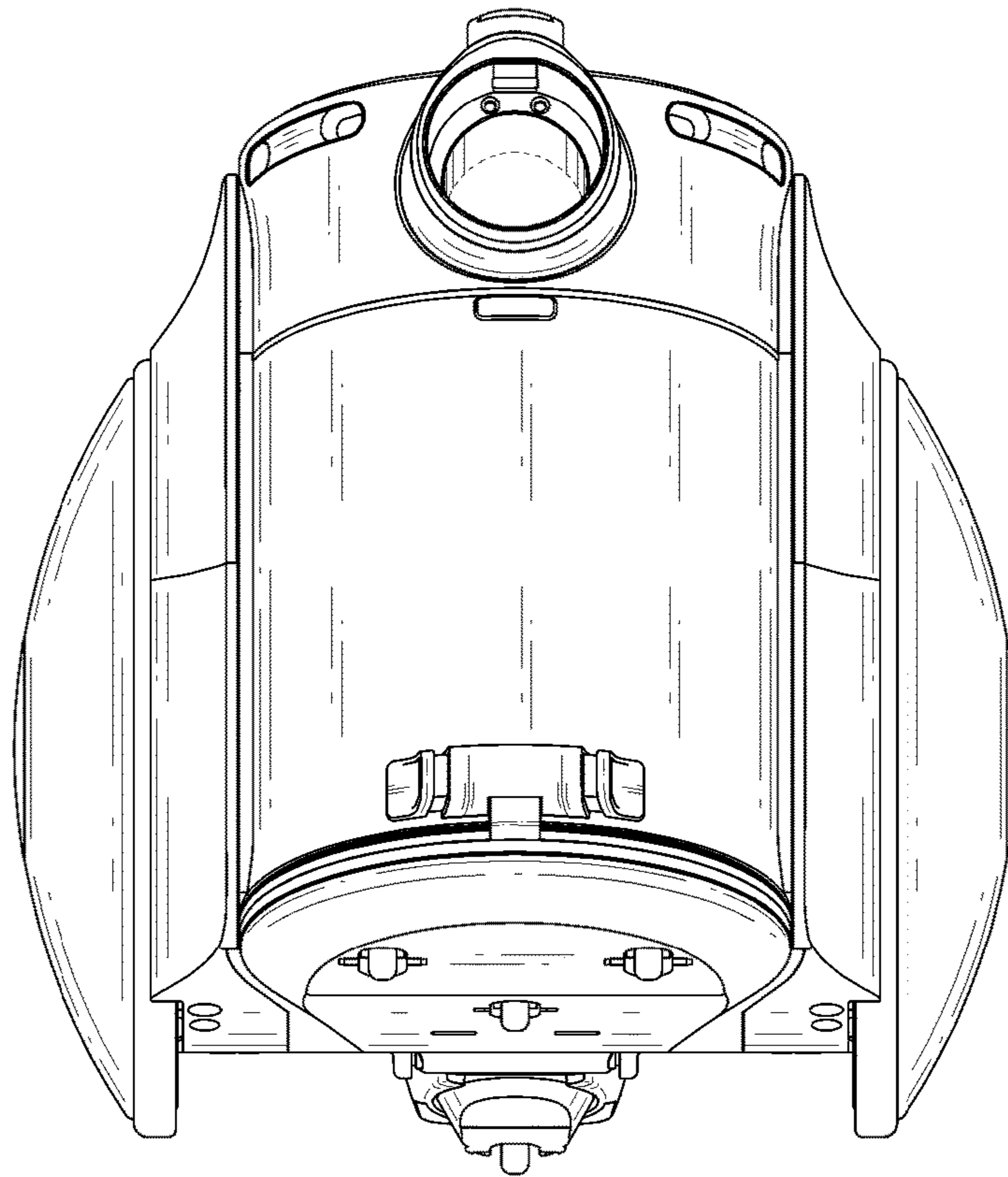


FIG. 3

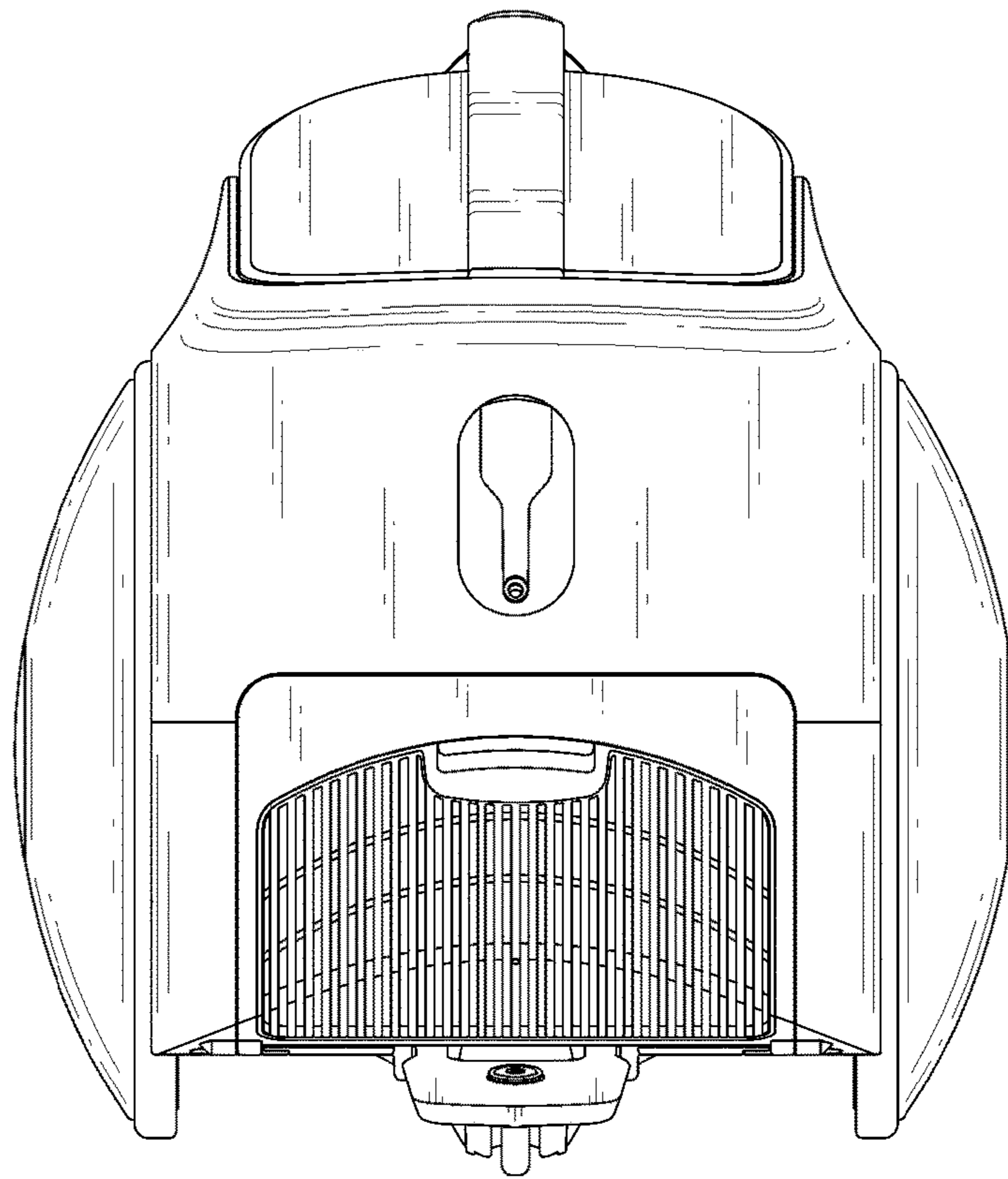


FIG. 4

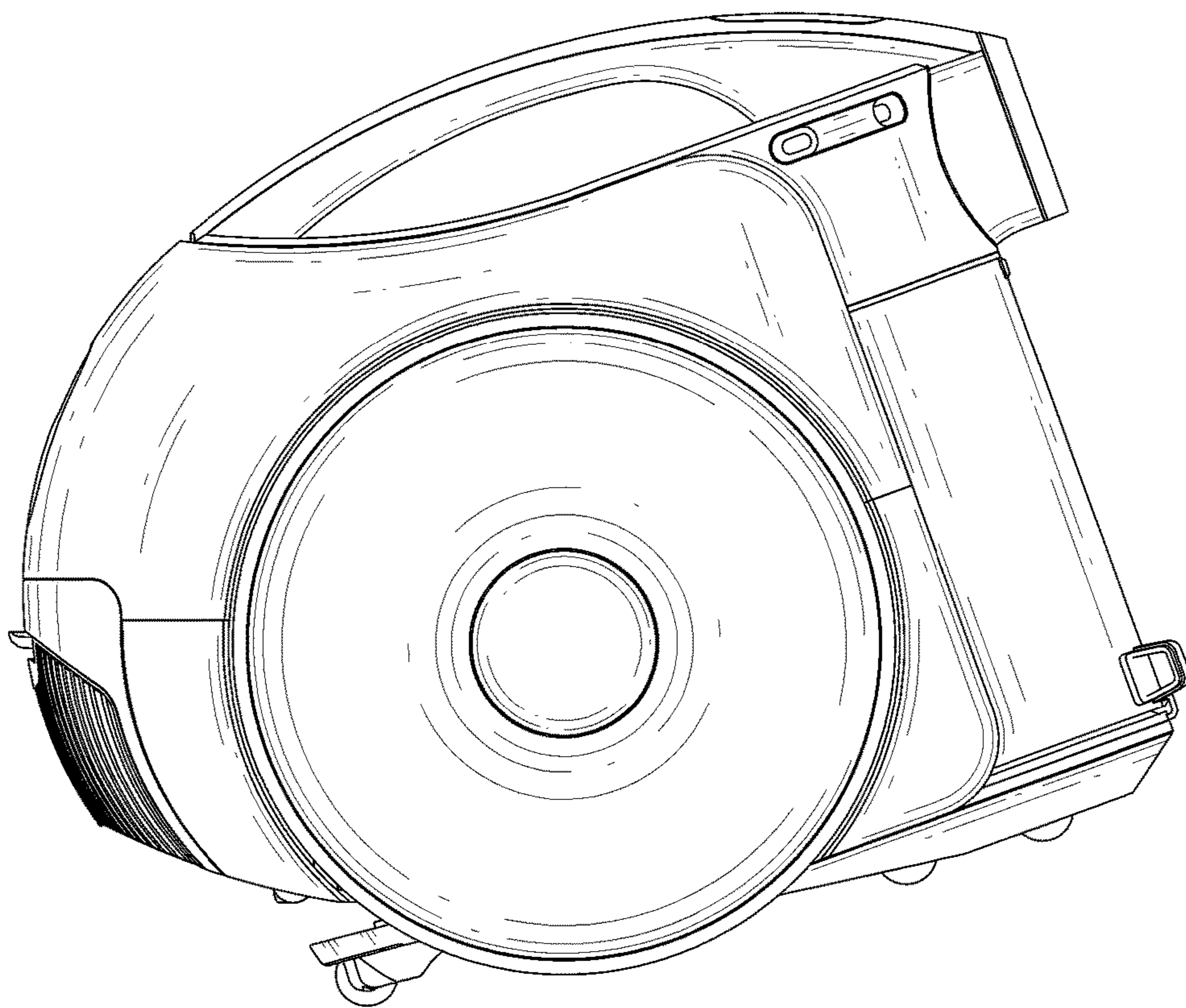


FIG. 5

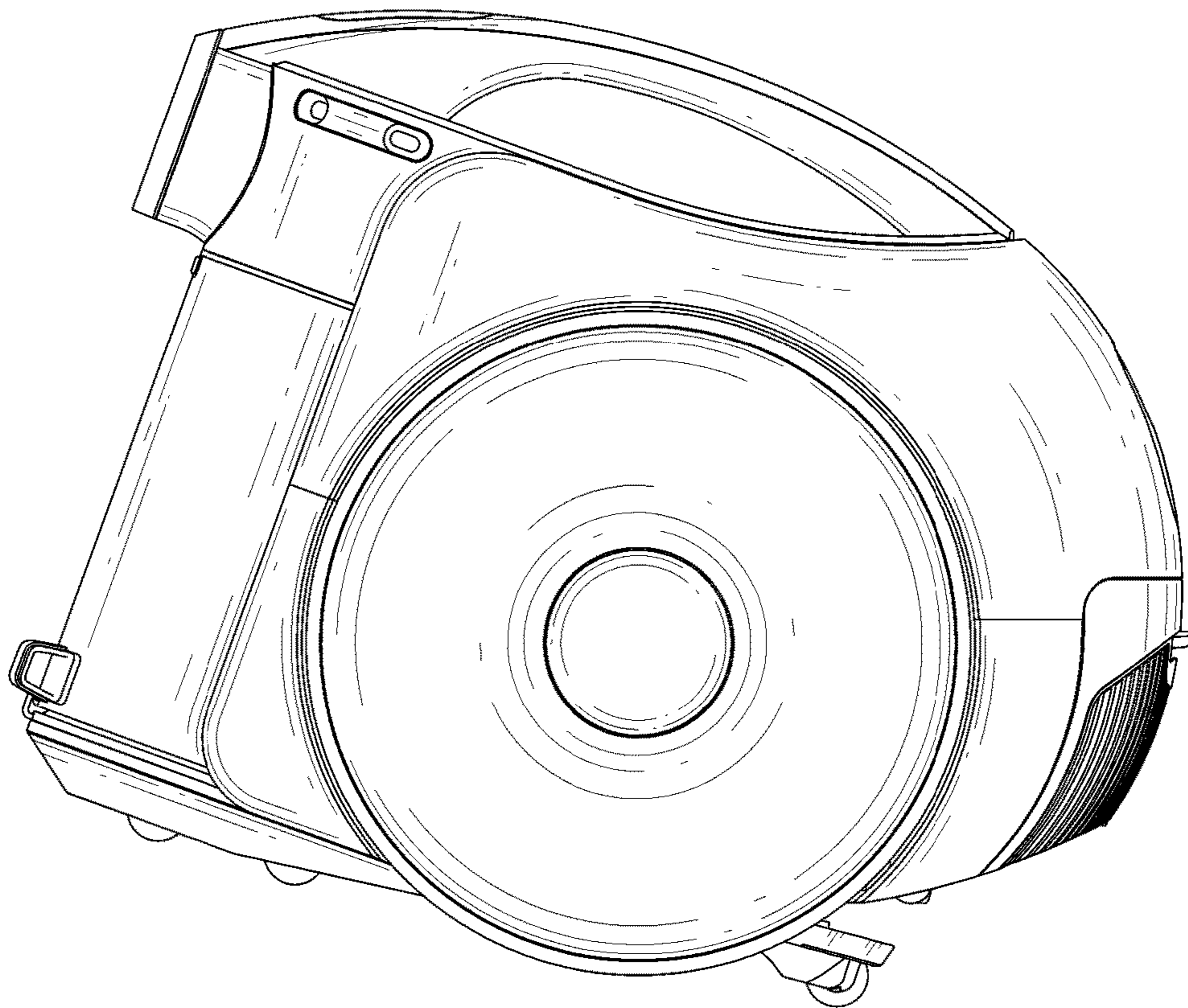


FIG. 6

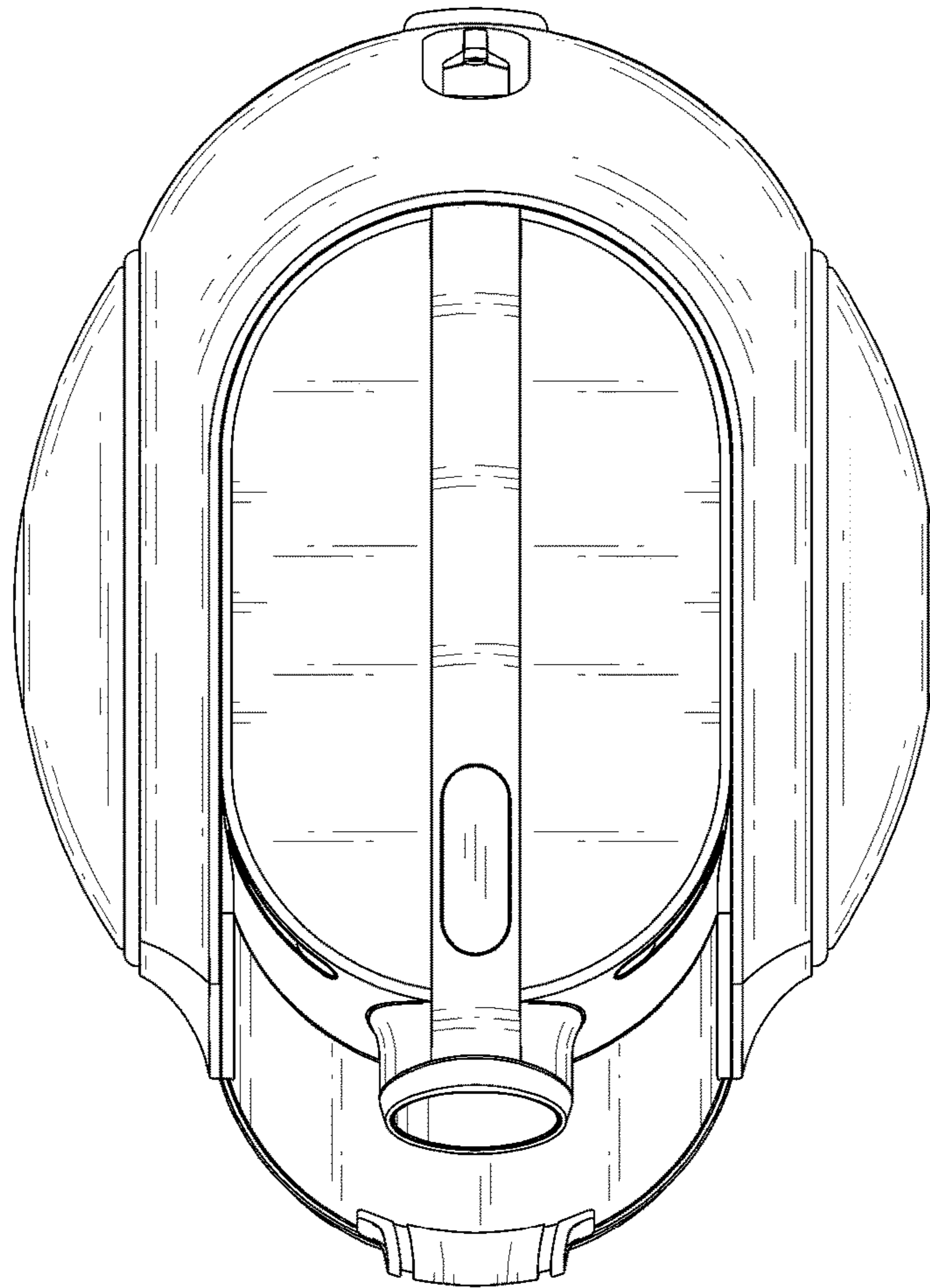


FIG. 7

