



US00D841906S

(12) **United States Design Patent** (10) **Patent No.:** **US D841,906 S**
Weinberg (45) **Date of Patent:** **** Feb. 26, 2019**

(54) **HIGH-PRESSURE CLEANER** 2005/0155972 A1* 7/2005 Ray B05B 1/12
220/694
(71) Applicant: **Andreas Stihl AG & Co. KG,** 2006/0038034 A1* 2/2006 Hillary B05B 9/0855
Waiblingen (DE) 239/146
2006/0196967 A1* 9/2006 Monty B05B 1/00
239/73
(72) Inventor: **Andreas Weinberg,** Stuttgart (DE) 2008/0245899 A1* 10/2008 Parris F04B 17/05
239/526
(73) Assignee: **Andreas Stihl AG & Co. KG,** 2009/0269218 A1* 10/2009 Gardner B08B 3/026
Waiblingen (DE) 417/234
2010/0206964 A1* 8/2010 Li F04B 17/03
239/398

(**) Term: **15 Years**

(21) Appl. No.: **29/621,741**

(22) Filed: **Oct. 11, 2017**

(30) **Foreign Application Priority Data**

Apr. 13, 2017 (EM) 003855378-0005

(51) **LOC (11) Cl.** **15-05**

(52) **U.S. Cl.**
USPC **D32/16; D32/15**

(58) **Field of Classification Search**
USPC D32/15-16, 1, 6, 2, 12; 8/931; 68/5 C,
68/13 R, 27-28; 15/320, 213-214, 323,
15/3.5; D15/199; D24/217
CPC A47L 7/0036
See application file for complete search history.

(56) **References Cited**

U.S. PATENT DOCUMENTS

D338,292 S * 8/1993 Schmitz D32/21
D675,794 S * 2/2013 Chen D32/15
D739,100 S * 9/2015 Tatic D32/15
D742,080 S * 10/2015 Rigon D32/15
D749,805 S * 2/2016 Janik D32/16
D778,011 S * 1/2017 Alexander D32/16
D779,744 S * 2/2017 Weinberg D32/16
D779,745 S * 2/2017 Weinberg D32/16
D779,746 S * 2/2017 Weinberg D32/16
2002/0122730 A1* 9/2002 Dexter B08B 3/026
417/299

(Continued)

Primary Examiner — Michelle E. Wilson

(74) *Attorney, Agent, or Firm* — McGuireWoods LLP

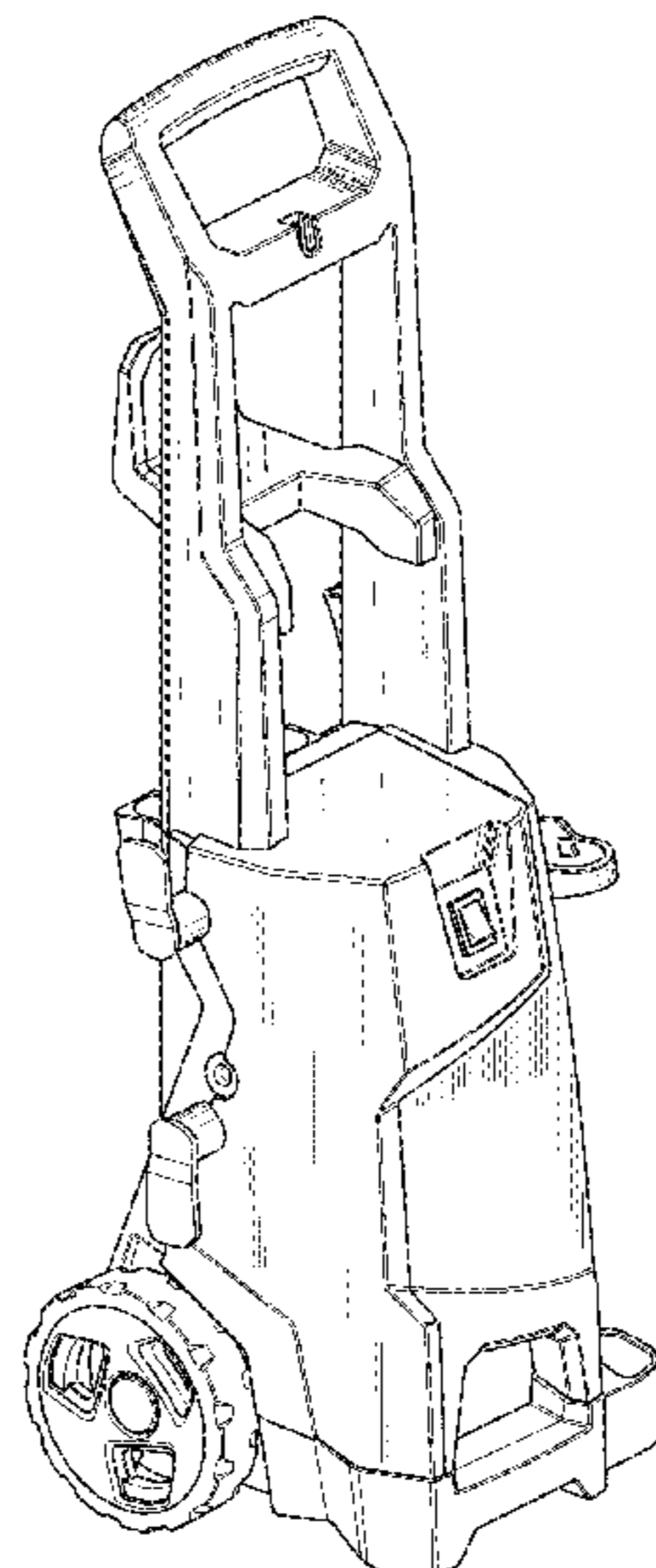
(57) **CLAIM**

I claim the ornamental design for a high-pressure cleaner, as shown and described.

DESCRIPTION

FIG. 1 is a left side perspective view of the high-pressure cleaner;
FIG. 2 is a front view of the high-pressure cleaner shown in FIG. 1;
FIG. 3 is a rear view of the high-pressure cleaner shown in FIG. 1;
FIG. 4 is a left side view of the high-pressure cleaner shown in FIG. 1;
FIG. 5 is a right side view of the high-pressure cleaner shown in FIG. 1;
FIG. 6 is a top view of the high-pressure cleaner shown in FIG. 1; and,
FIG. 7 is a bottom view of the high-pressure cleaner shown in FIG. 1.
The subject matter shown in dashed lines, and any surfaces of the design not shown, including interior surfaces, form no part of the claimed invention.

1 Claim, 7 Drawing Sheets



(56)

References Cited

U.S. PATENT DOCUMENTS

2014/0263754 A1* 9/2014 Nushart B05B 1/1654
239/442
2015/0174598 A1* 6/2015 Eschrich B08B 3/028
239/526
2015/0306614 A1* 10/2015 Pierce B05B 9/007
137/12
2016/0067726 A1* 3/2016 Gilpatrick B05B 7/32
239/526

* cited by examiner

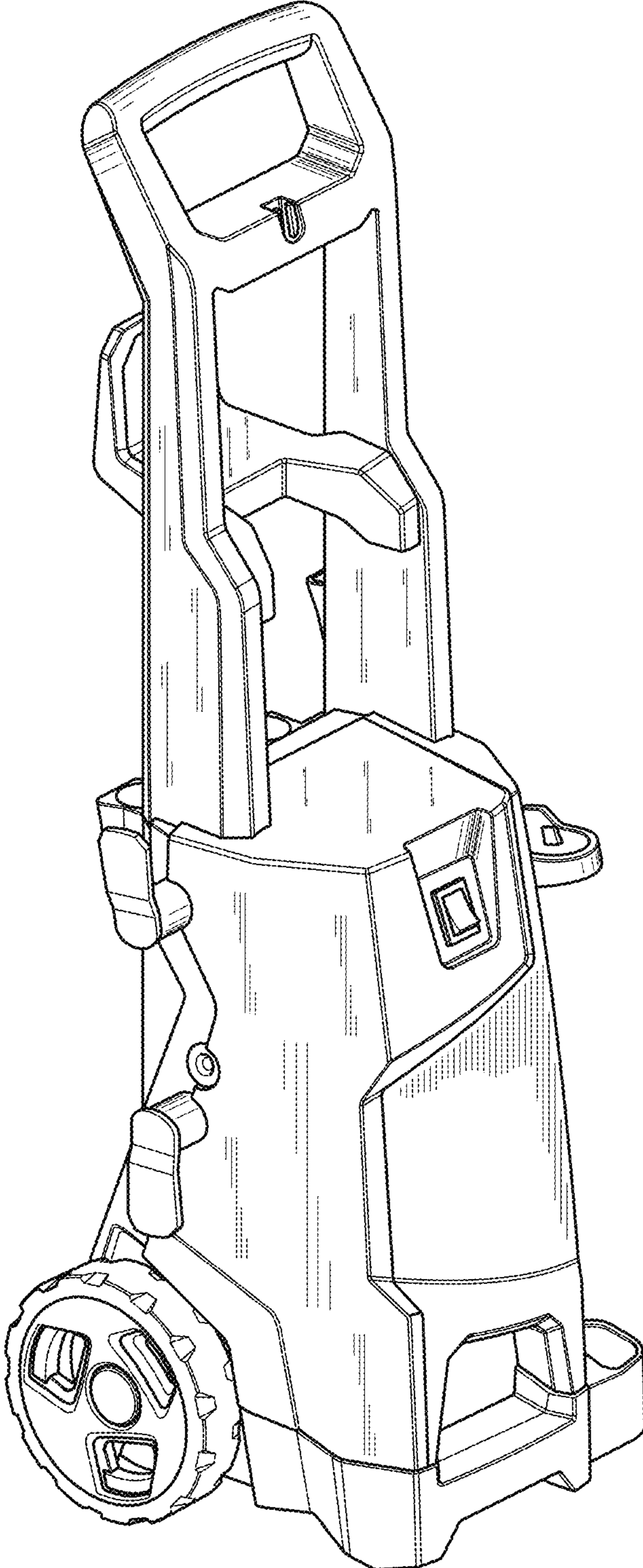


FIG. 1

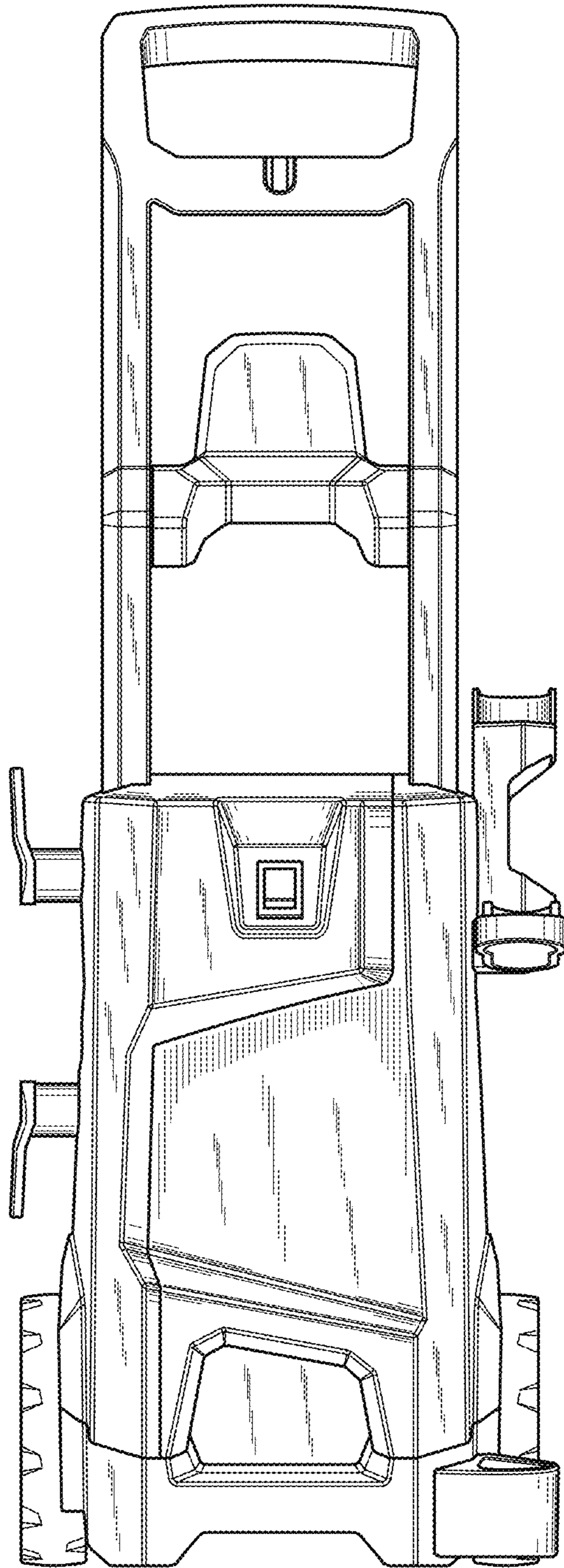


FIG. 2

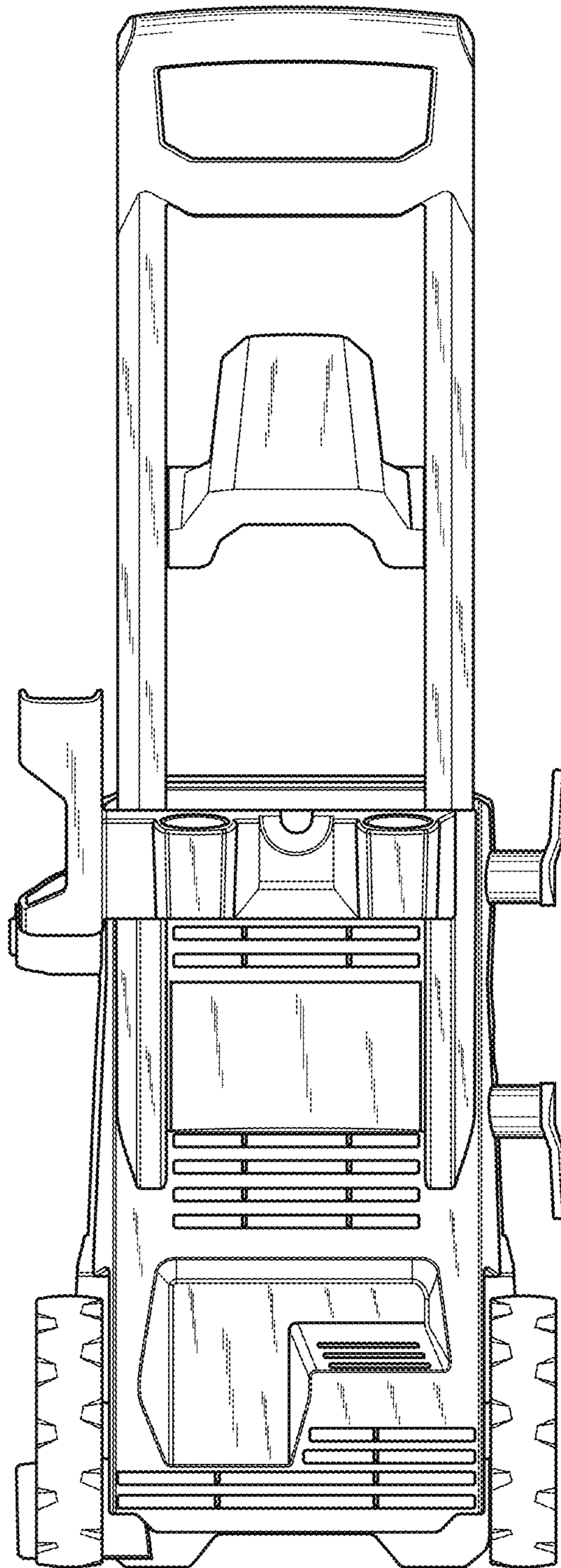


FIG. 3

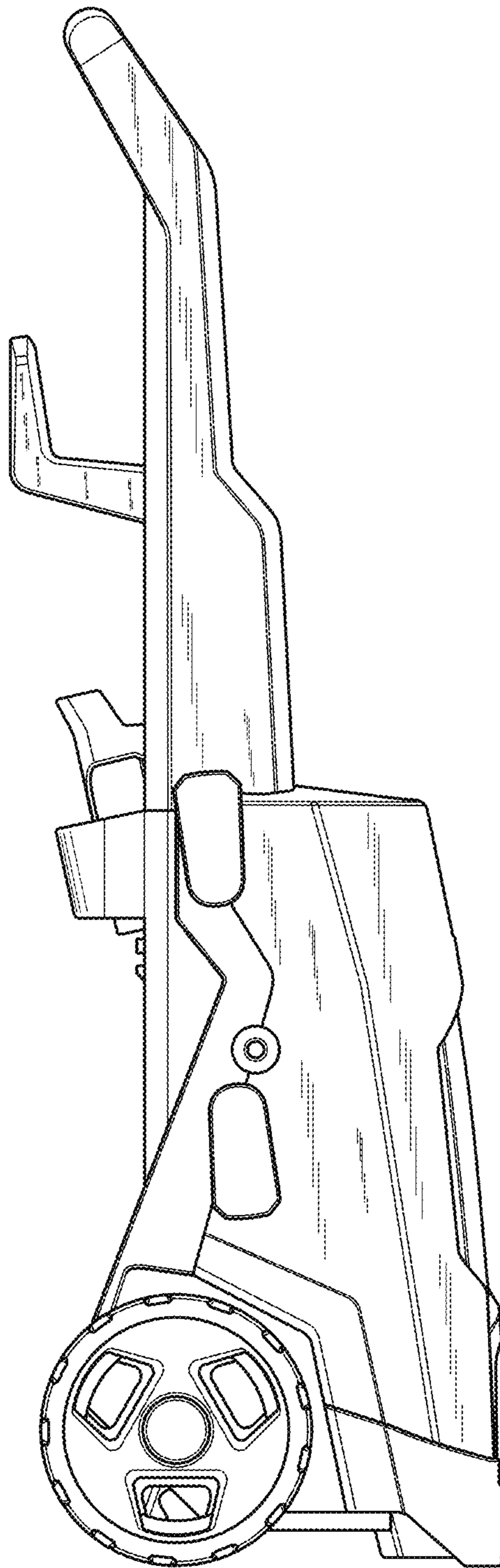


FIG. 4

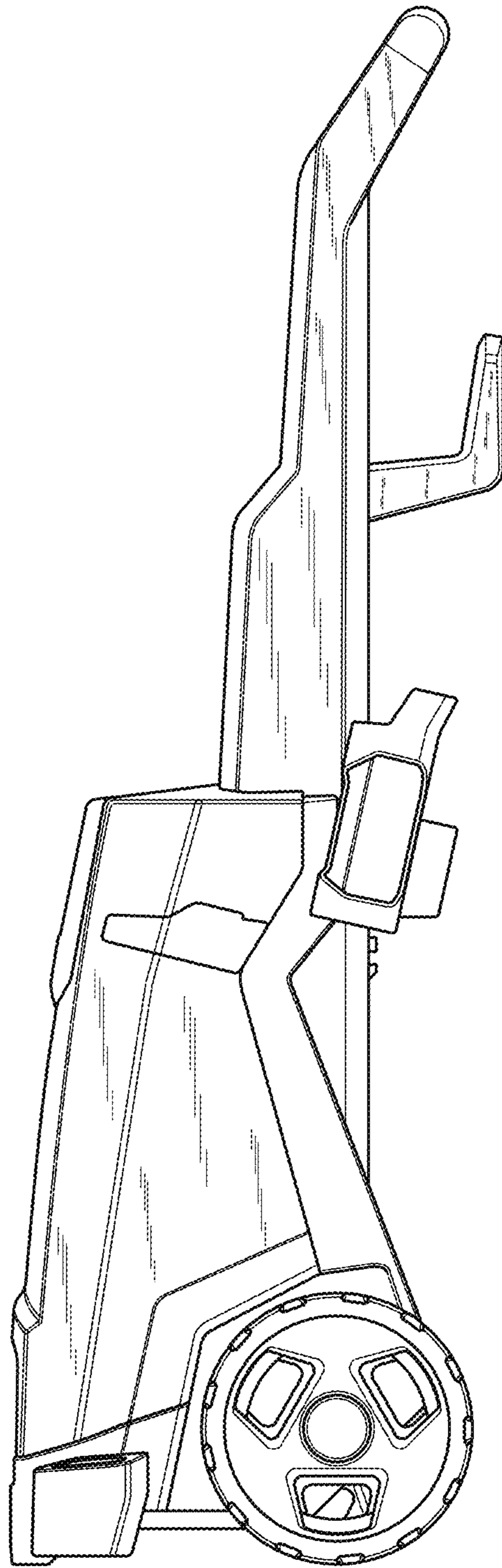


FIG. 5

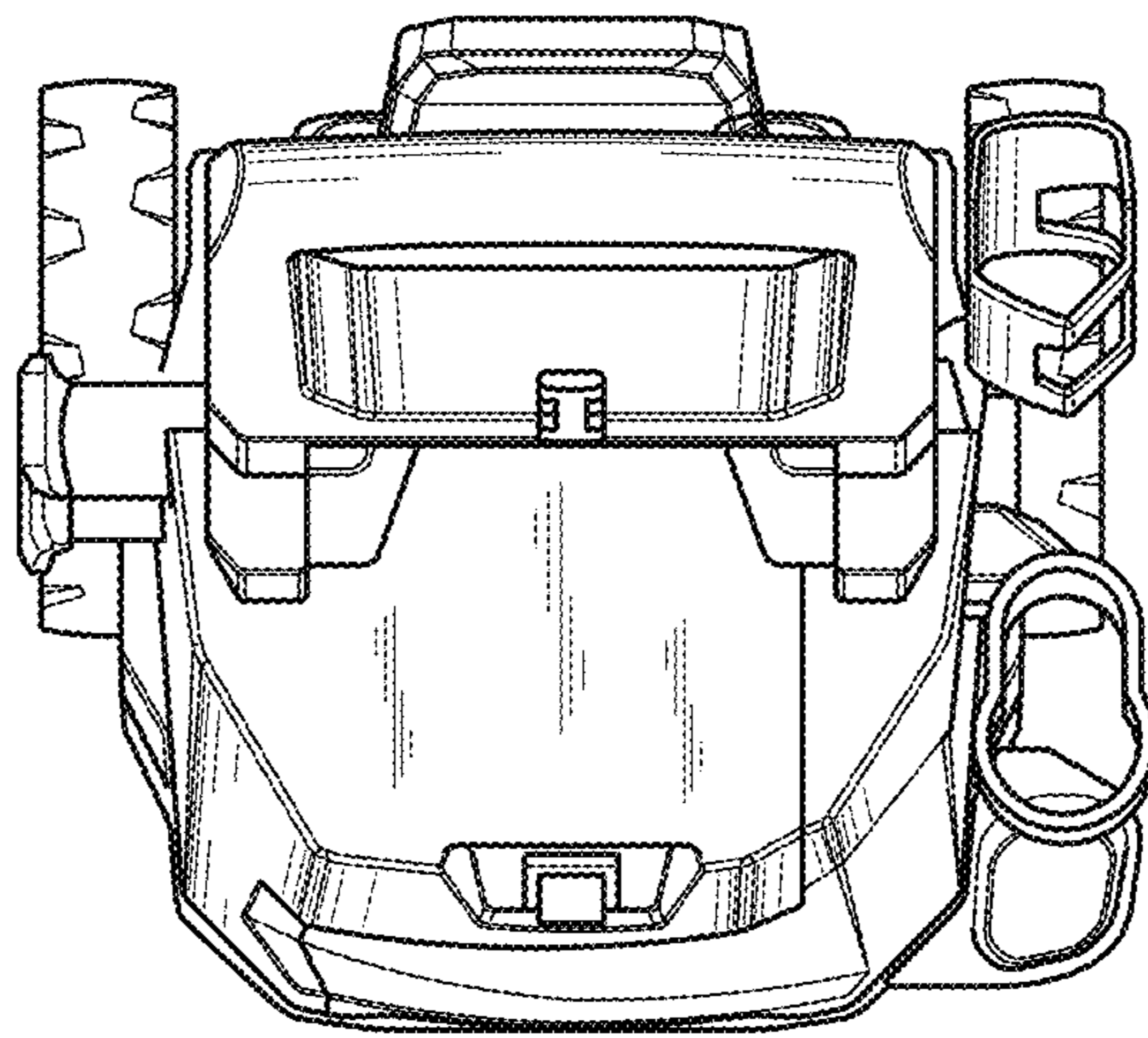


FIG. 6

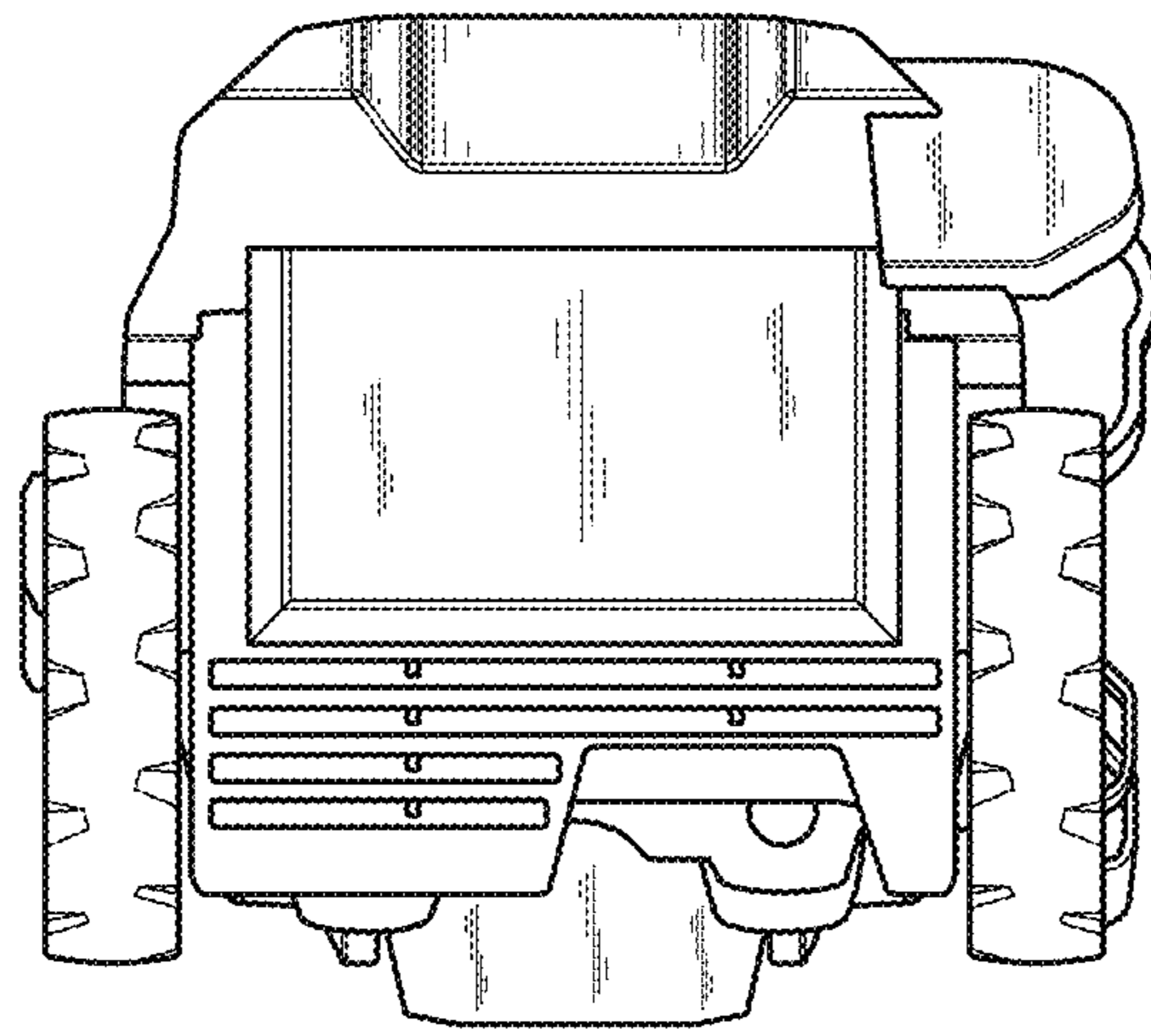


FIG. 7