



US00D841905S

(12) **United States Design Patent** (10) **Patent No.:** **US D841,905 S**
Kim et al. (45) **Date of Patent:** **** Feb. 26, 2019**

(54) **WASHING MACHINE** 5,469,593 A * 11/1995 Cuthbert D06F 37/28
68/140
(71) Applicant: **Samsung Electronics Co., Ltd.**, 5,875,655 A * 3/1999 Herman-Latack D06F 39/026
Suwon-si (KR) 222/166
(72) Inventors: **Kangdoo Kim**, Seoul (KR); **Sanghun** D446,890 S * 8/2001 Cho D32/6
Yoon, Seoul (KR); **Sung-Kyung Lee**, D470,632 S * 2/2003 Oda D32/6
Seoul (KR); **Yeonsu Kim**, Seoul (KR); D489,500 S 5/2004 Sneddon
Jiyeun Yoon, Seoul (KR); **Myunggyu** D516,258 S * 2/2006 Matsusaki D32/1
Kim, Seoul (KR) (Continued)

FOREIGN PATENT DOCUMENTS

(73) Assignee: **Samsung Electronics Co., Ltd.**, CN 201530065669 10/2015
Suwon-si (KR) CN 201530296000 12/2015
CN 201530284060 1/2016

(**) Term: **15 Years**

OTHER PUBLICATIONS

(21) Appl. No.: **29/657,586**

“It invented the washing machine again! One body, two twin washing machine LG TROMM” [2016] www.lge.co.kr Sep. 22, 2016 <<http://www.lge.co.kr/lgekor/product/householdappliances/washing-machine/productDetail.do?cateId=5600&prdId=EPRD.295352>>.

(22) Filed: **Jul. 24, 2018**

Related U.S. Application Data

(63) Continuation of application No. 29/586,328, filed on Dec. 2, 2016, now Pat. No. Des. 830,650.

Primary Examiner — Michelle E. Wilson

(30) **Foreign Application Priority Data**

(74) *Attorney, Agent, or Firm* — NSIP Law

Jun. 3, 2016 (KR) 30-2016-0027137

(57) **CLAIM**

(51) **LOC (11) Cl.** **15-05**

We claim the ornamental design for a washing machine, as shown and described.

(52) **U.S. Cl.**
USPC **D32/6**

(58) **Field of Classification Search**
USPC D32/1, 5, 6, 8, 10, 25, 28, 29, 29.1
CPC D06F 39/045; D06F 25/00; D06F 39/022;
D06F 33/02; D06F 2204/065; D06F
35/006; D06F 39/12; D06F 39/00; D06F
49/06; D06F 37/26; D06F 37/20; D06F
31/00; A47L 15/4418; F16M 9/00
See application file for complete search history.

DESCRIPTION

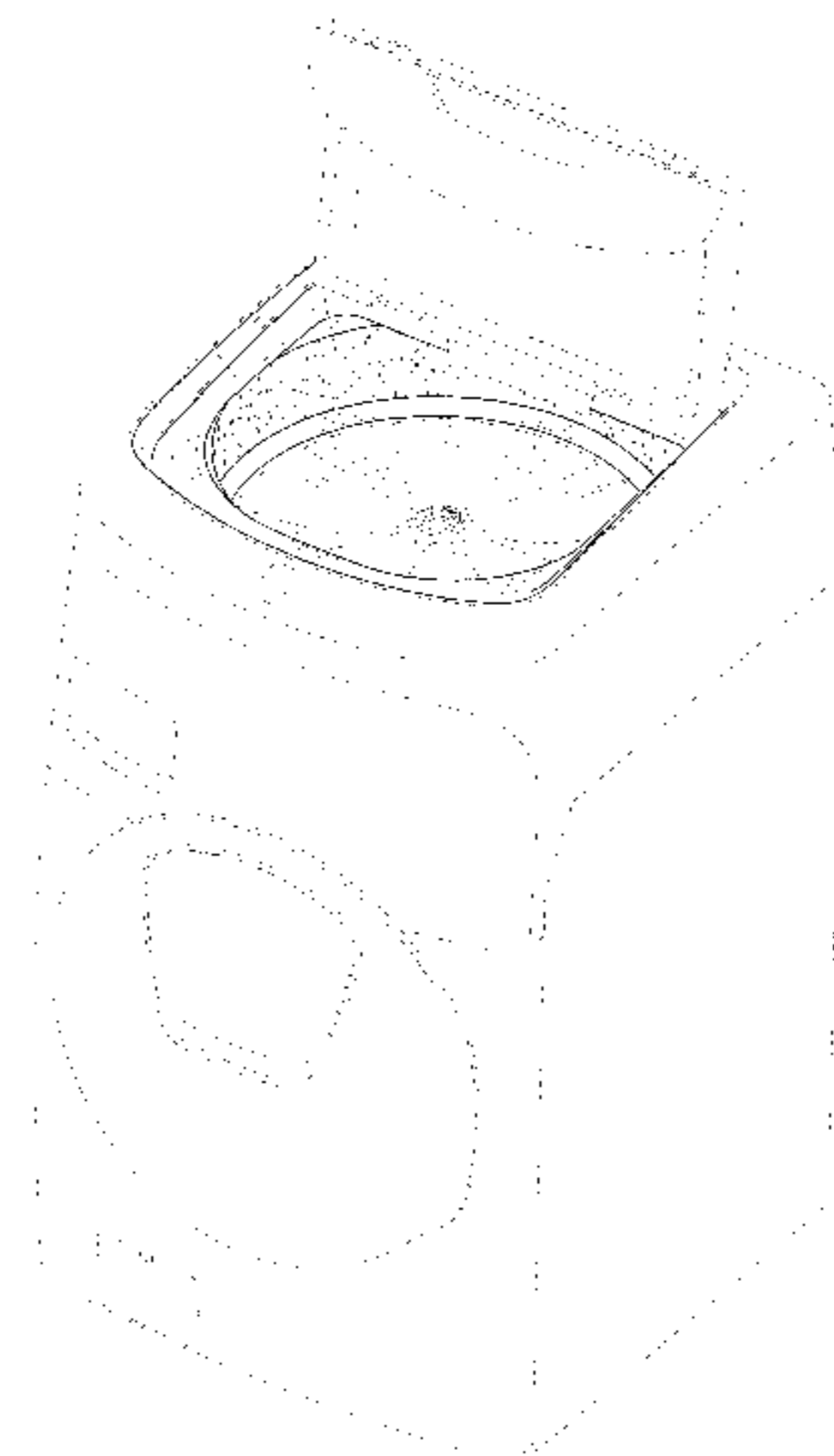
FIG. 1 is a front perspective view of a washing machine showing our new design;
FIG. 2 is a front view thereof;
FIG. 3 is a rear view thereof;
FIG. 4 is a left-side view thereof;
FIG. 5 is a right-side view thereof;
FIG. 6 is a top view thereof; and,
FIG. 7 is a bottom view thereof.
The broken lines in the figures depict environmental subject matter and form no part of the claimed design.

(56) **References Cited**

U.S. PATENT DOCUMENTS

D300,279 S * 3/1989 Umehara D32/6
5,437,168 A 8/1995 Mason et al.

1 Claim, 7 Drawing Sheets



(56)

References Cited

U.S. PATENT DOCUMENTS

D519,692 S * 4/2006 Jun D32/6
7,073,356 B2 * 7/2006 Nakamura D06F 37/10
68/12.26
D537,217 S 2/2007 Charmoille et al.
D541,491 S * 4/2007 Jun D32/6
D554,813 S 11/2007 Boler, Jr.
D658,342 S 4/2012 Danak
D669,647 S 10/2012 Arnold
D704,907 S * 5/2014 Yoo D32/6
D709,657 S * 7/2014 Shin D32/25
D711,605 S * 8/2014 Jo D32/25
D729,467 S * 5/2015 Jee D32/6
D744,177 S * 11/2015 Jung D32/6
D748,355 S * 1/2016 Sim D32/6
D772,495 S 11/2016 Son et al.
D776,373 S 1/2017 Joo et al.
D781,007 S 3/2017 Jang et al.
D785,339 S 5/2017 Brown
D798,006 S 9/2017 Kang et al.
D809,221 S 1/2018 Kim et al.
D809,222 S 1/2018 Kim et al.
D809,224 S 1/2018 Kim et al.
D809,225 S 1/2018 Kim et al.
D809,226 S 1/2018 Kim et al.
2008/0011024 A1 1/2008 Won
2009/0229320 A1 9/2009 Yoo et al.

* cited by examiner

FIG. 1

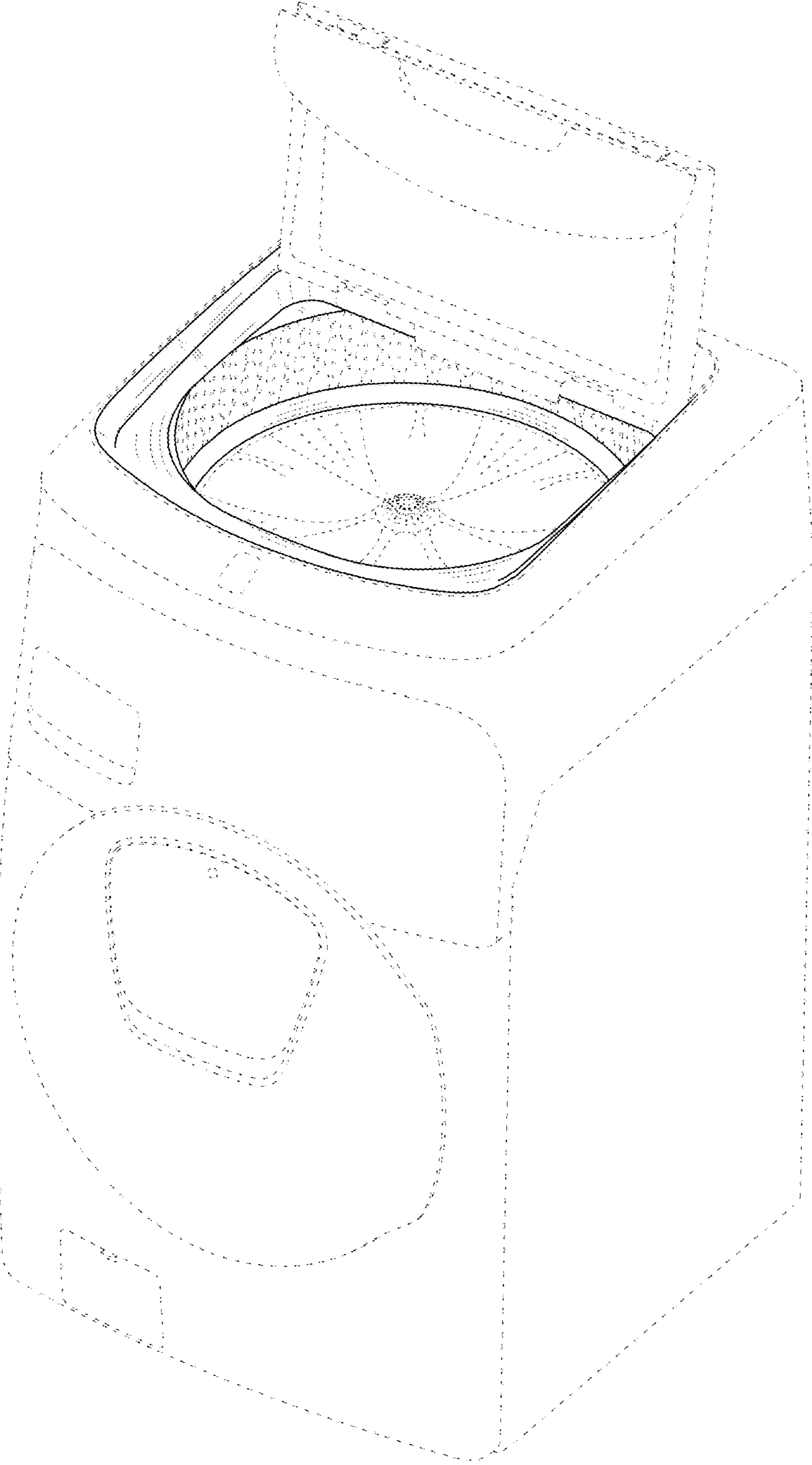


FIG. 2

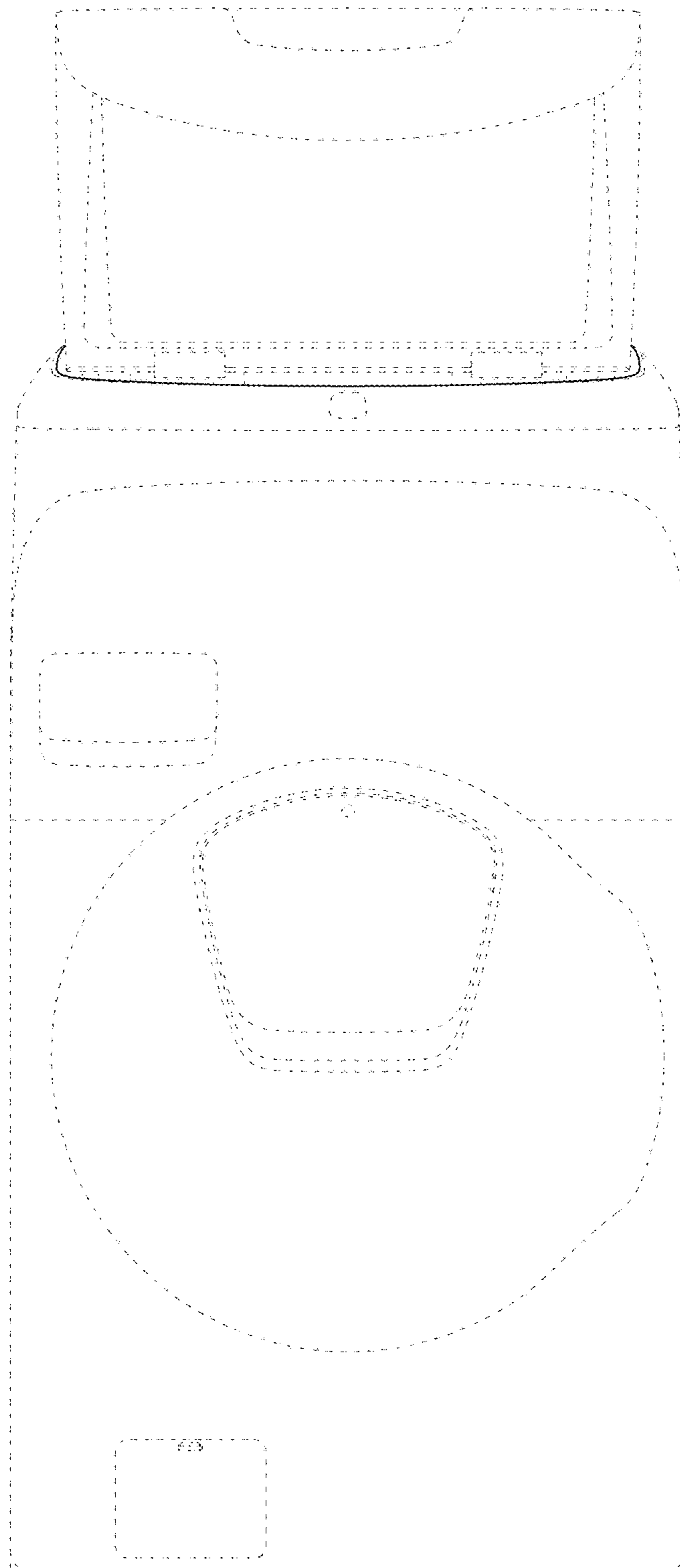


FIG. 3



FIG. 4

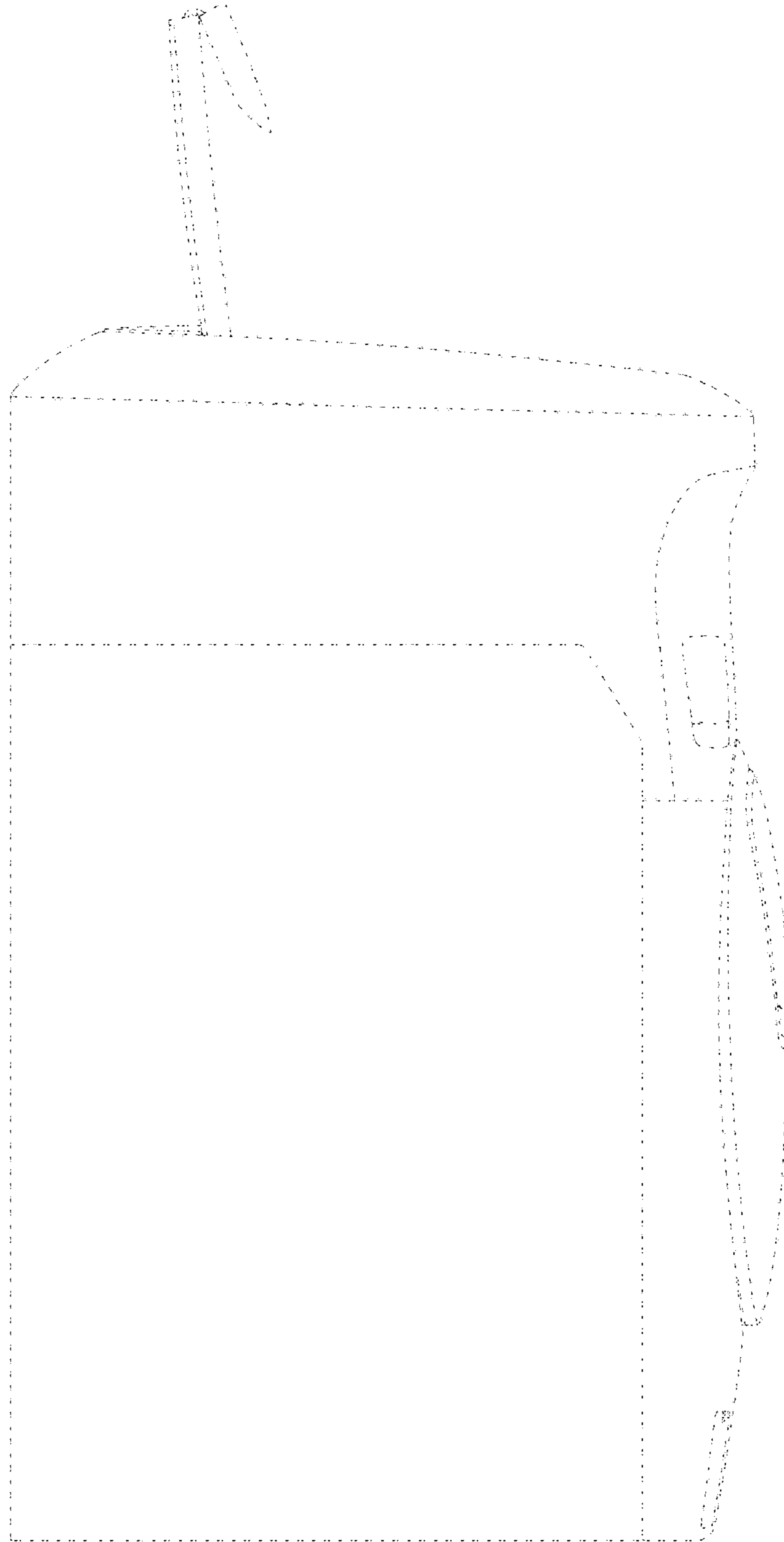


FIG. 5

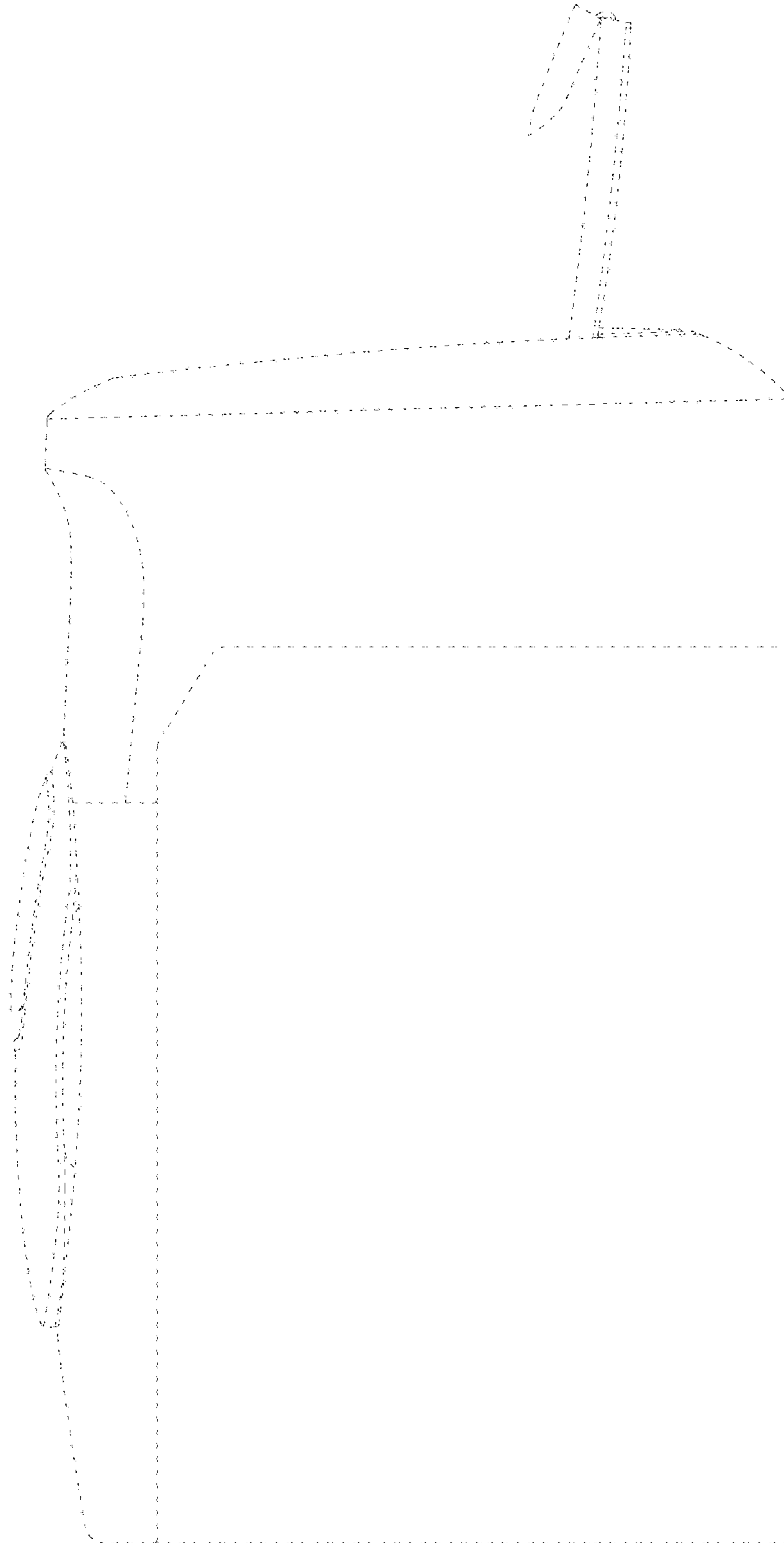


FIG. 6

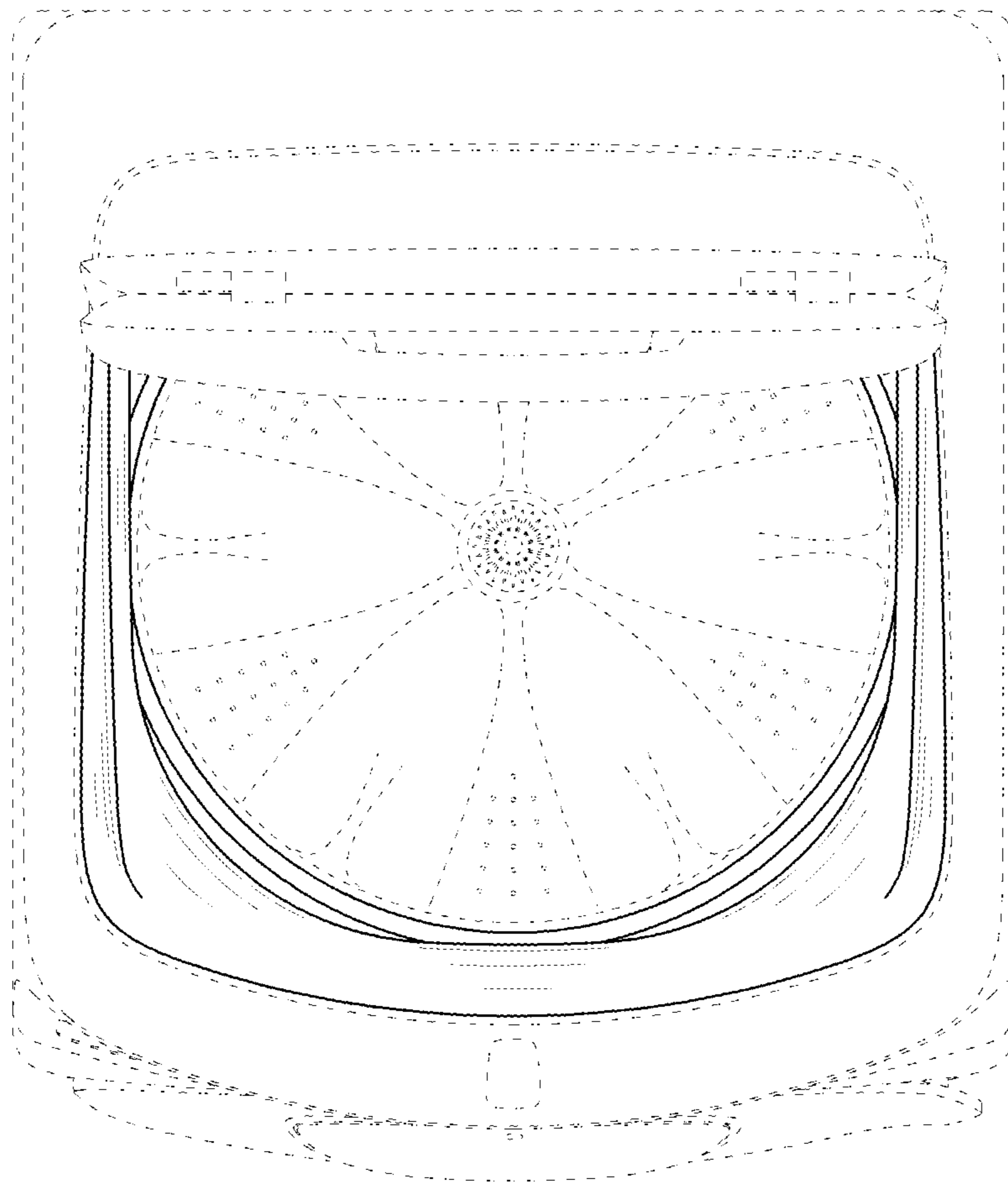


FIG. 7

