



US00D841904S

(12) **United States Design Patent** (10) **Patent No.:** **US D841,904 S**  
**Wirth et al.** (45) **Date of Patent:** **\*\* Feb. 26, 2019**

(54) **LITTER SCOOP**  
(71) Applicant: **Pet Fusion, LLC**, Fanwood, NJ (US)  
(72) Inventors: **Josh Wirth**, Mountainside, NJ (US);  
**Andrew Roost**, Fanwood, NJ (US);  
**Theodore Elliott**, Bentleyville, OH (US)  
(73) Assignee: **PET FUSION, LLC**, Fanwood, NJ (US)  
(\*\*) Term: **15 Years**

D314,254 S \* 1/1991 Gordon ..... 294/1.3  
D332,675 S \* 1/1993 Simon ..... 294/1.3  
D347,497 S \* 5/1994 VanSkiver ..... 294/1.3  
5,775,258 A \* 7/1998 Larsen ..... A01K 1/0114  
119/161  
D416,359 S \* 11/1999 Schlueter ..... D30/162  
6,022,058 A \* 2/2000 O'Rourke ..... A01K 1/0114  
209/418  
D429,853 S \* 8/2000 Hammond ..... D30/162  
D438,349 S \* 2/2001 Keller ..... 294/1.3  
6,234,549 B1 5/2001 Brownell  
6,312,029 B1 \* 11/2001 Renforth ..... A01K 1/0114  
209/418  
D451,652 S \* 12/2001 Lewis, II ..... D30/162  
(Continued)

(21) Appl. No.: **29/618,992**  
(22) Filed: **Sep. 26, 2017**  
(51) **LOC (11) Cl.** ..... **30-99**  
(52) **U.S. Cl.**  
USPC ..... **D30/162**  
(58) **Field of Classification Search**  
USPC ..... D30/162, 161, 199; 119/867, 161, 166,  
119/174; D8/13, 10; D9/430;  
294/1.3-1.5, 19.1, 49, 50, 50.5, 55, 179,  
294/176, 180, 3, 7, 99.2, 177, 59, 57;  
209/418, 419; 15/257.1, 257.2, 1.7;  
210/464, 465, 470, 472; D7/692;  
D21/532; D32/74  
CPC ..... A01K 1/01; A01K 1/011; A01K 1/0128;  
A01K 1/0132; E01H 1/12; E01H 1/1206;  
E01H 2001/122; E01H 2001/1226; E01H  
2001/1233; E01H 2001/1246; E01H  
2001/126; E01H 2001/1266; E01H  
2001/1273; E01H 2001/128; B07B 1/00;  
B07B 1/005; B07B 1/02; E04H 4/1609;  
F24B 15/08  
See application file for complete search history.

FOREIGN PATENT DOCUMENTS

EP 0 486 412 B1 5/1992  
WO 2007/001279 A1 1/2007

Primary Examiner — Susan Moon Lee  
(74) Attorney, Agent, or Firm — Myers Wolin, LLC

(57) **CLAIM**

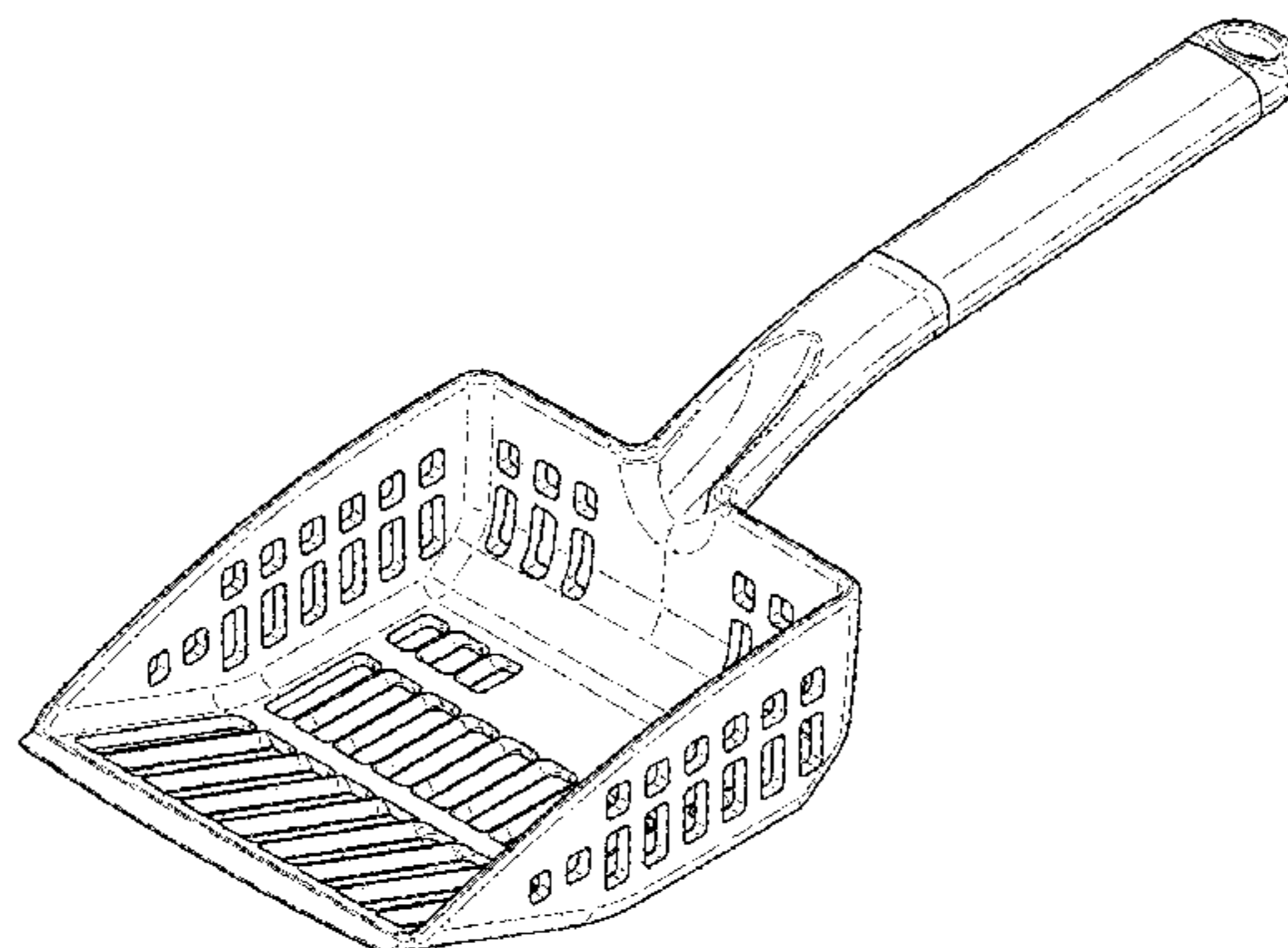
The ornamental design for a litter scoop, as shown and described.

**DESCRIPTION**

FIG. 1 is a front perspective view of a litter scoop according to our new design;  
FIG. 2 is a rear perspective view thereof;  
FIG. 3 is top view thereof;  
FIG. 4 is a bottom view thereof;  
FIG. 5 is a front elevation view thereof;  
FIG. 6 is a rear elevation view thereof; and,  
FIG. 7 is a right side elevation view thereof, the left side elevation view being identical.

**1 Claim, 3 Drawing Sheets**

(56) **References Cited**  
U.S. PATENT DOCUMENTS  
316,623 A \* 4/1885 Hooper ..... F24B 15/08  
209/419  
4,062,769 A \* 12/1977 Simonson ..... B07B 1/4609  
209/399



# US D841,904 S

Page 2

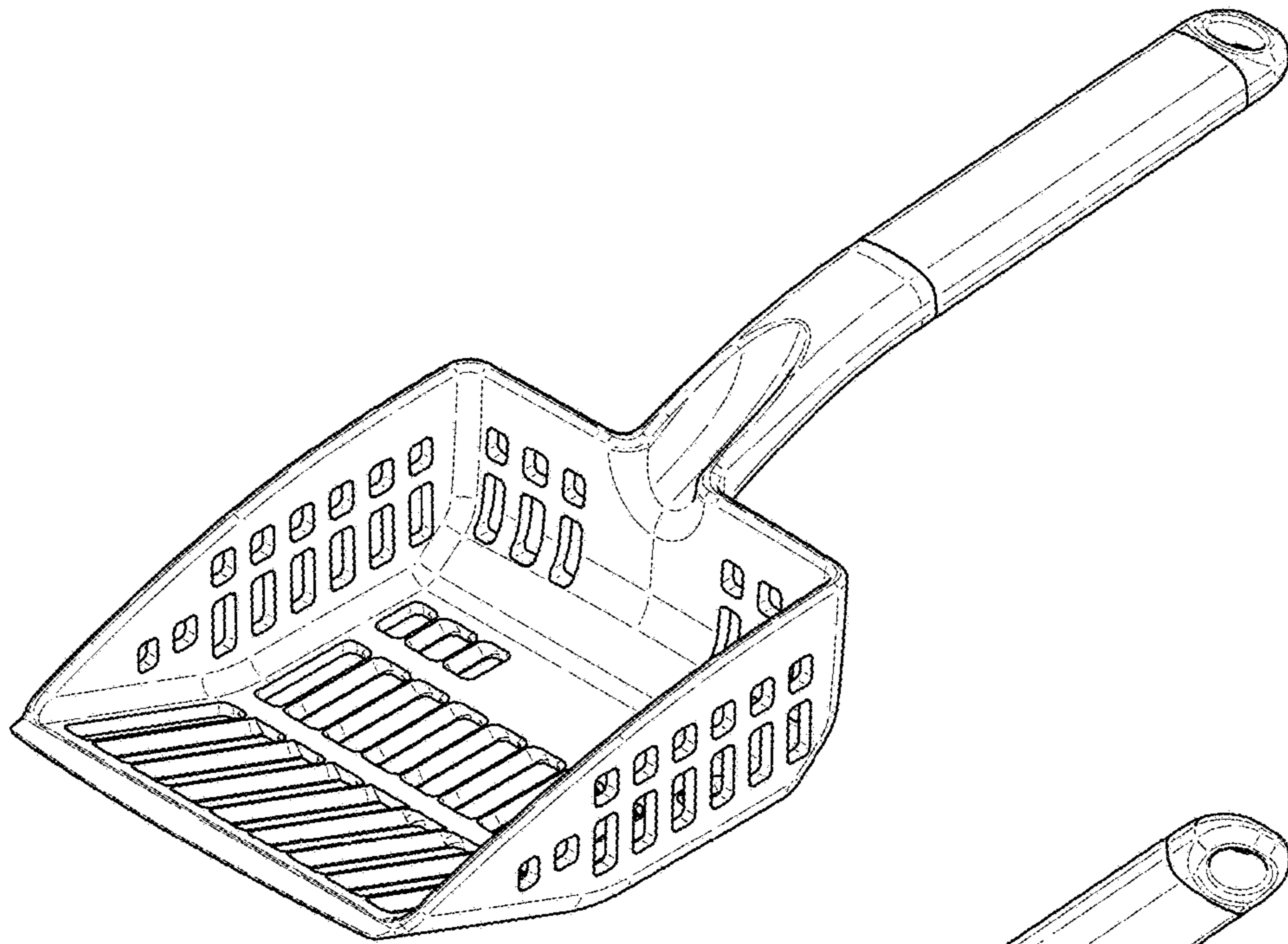
(56)

## References Cited

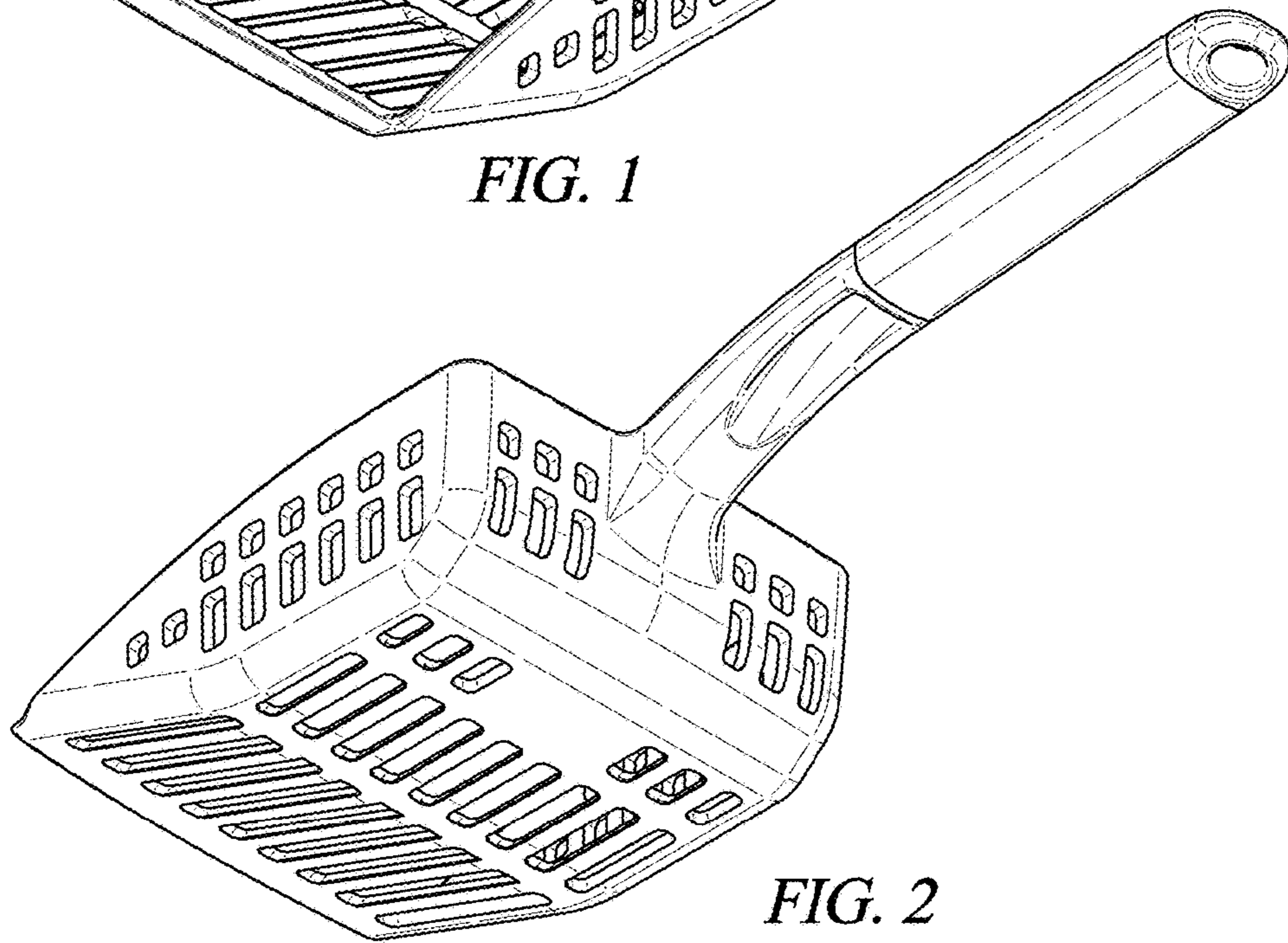
### U.S. PATENT DOCUMENTS

6,578,807 B1 *	6/2003	Lipscomb	.....	A01K 1/0114	248/314
D479,105 S *	9/2003	Debord	.....	D8/10	
D480,519 S *	10/2003	Firth	.....	D30/162	
7,047,907 B1 *	5/2006	Johnston	.....	A01K 1/0114	119/867
D583,203 S *	12/2008	Genest	.....	D8/13	
D604,915 S *	11/2009	Teper	.....	D30/162	
D608,061 S *	1/2010	Seager	.....	D30/162	
7,878,334 B2 *	2/2011	Tucker	.....	A01B 1/02	209/417
8,066,311 B2	11/2011	Axelrod			
D667,284 S *	9/2012	Genest	.....	D8/10	
D679,876 S *	4/2013	Teren	.....	D30/162	
D749,278 S *	2/2016	Garvey	.....	D30/162	
D760,965 S *	7/2016	Becattini, Jr.	.....	D30/162	
2004/0124646 A1 *	7/2004	Peko	.....	A01K 23/005	294/1.4
2004/0227364 A1 *	11/2004	Pain	.....	A01K 1/0114	294/1.3
2005/0173935 A1 *	8/2005	Pain	.....	A01K 1/0114	294/1.3
2007/0267333 A1 *	11/2007	Delman	.....	A01K 1/0114	209/418
2007/0277741 A1 *	12/2007	Delman	.....	A01K 1/0114	119/166
2009/0038553 A1 *	2/2009	Lin	.....	A01K 1/0114	119/166
2013/0292957 A1 *	11/2013	Paculdo	.....	A01K 1/0114	294/179
2015/0167265 A1 *	6/2015	Becattini, Jr.	.....	E01H 1/1206	294/1.3
2016/0324115 A1 *	11/2016	Bridges	.....	A01K 1/0114	
2017/0150696 A1 *	6/2017	Christian	.....	A01K 1/0114	

\* cited by examiner



*FIG. 1*



*FIG. 2*

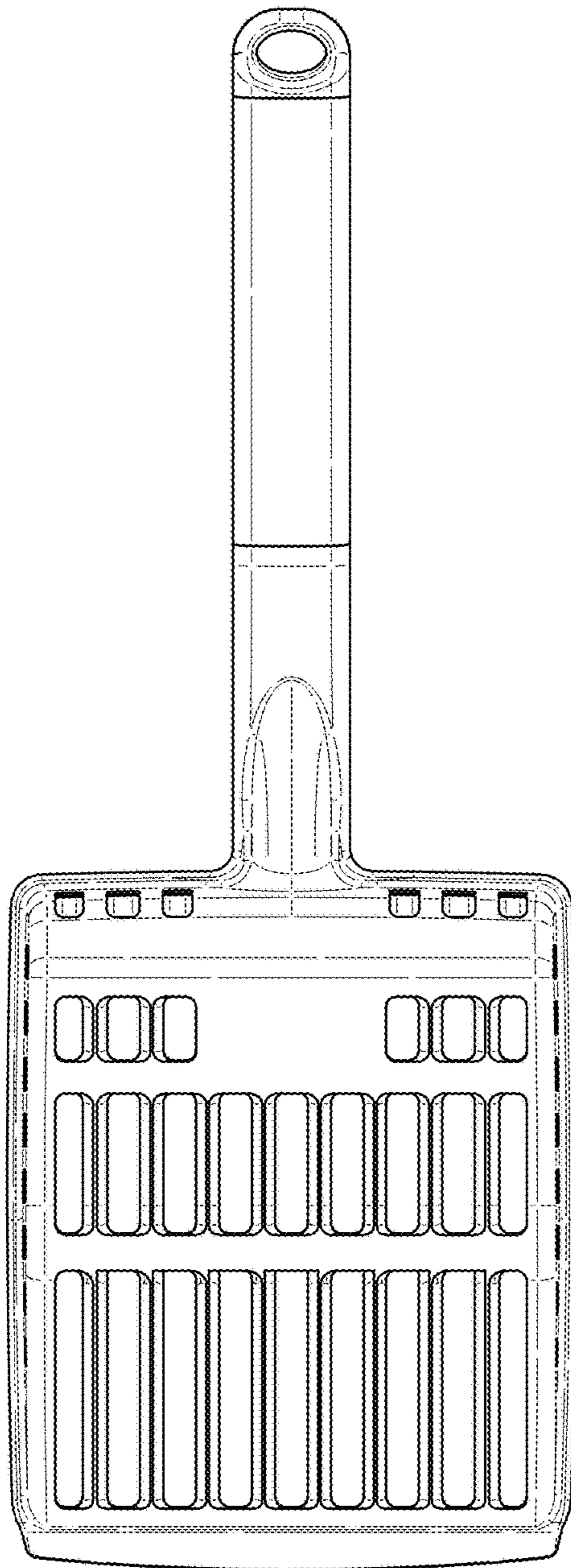


FIG. 3

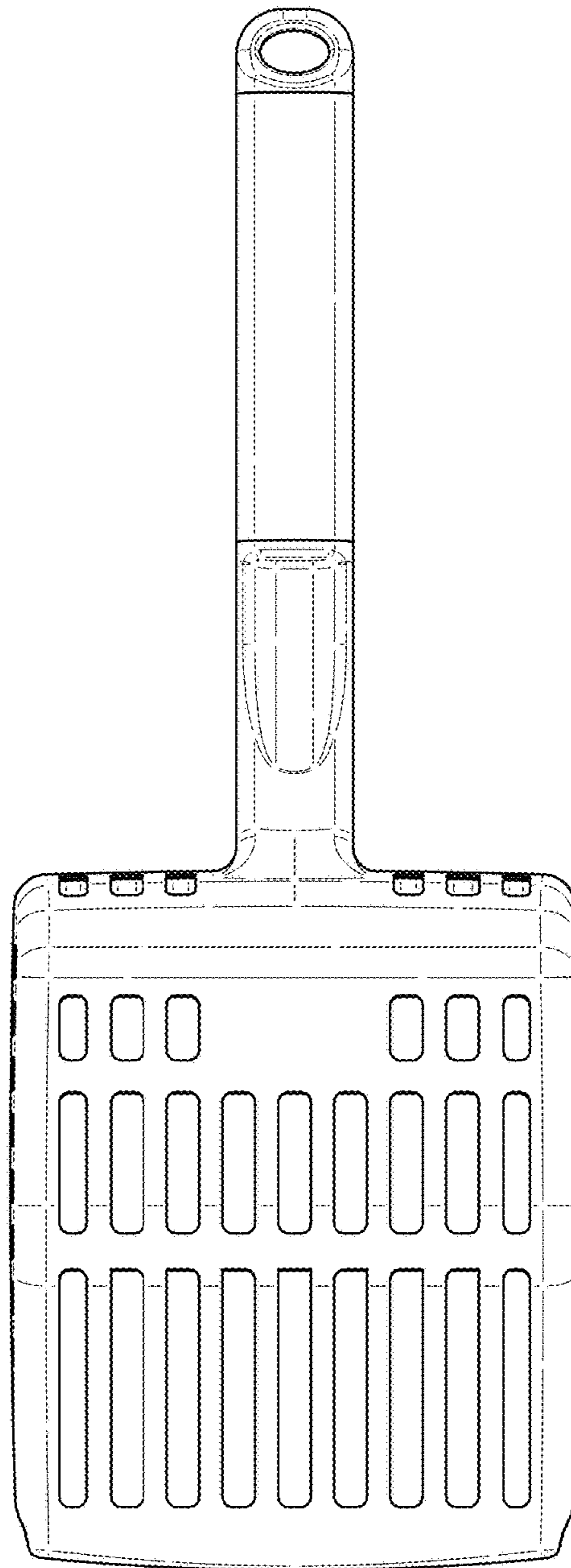


FIG. 4

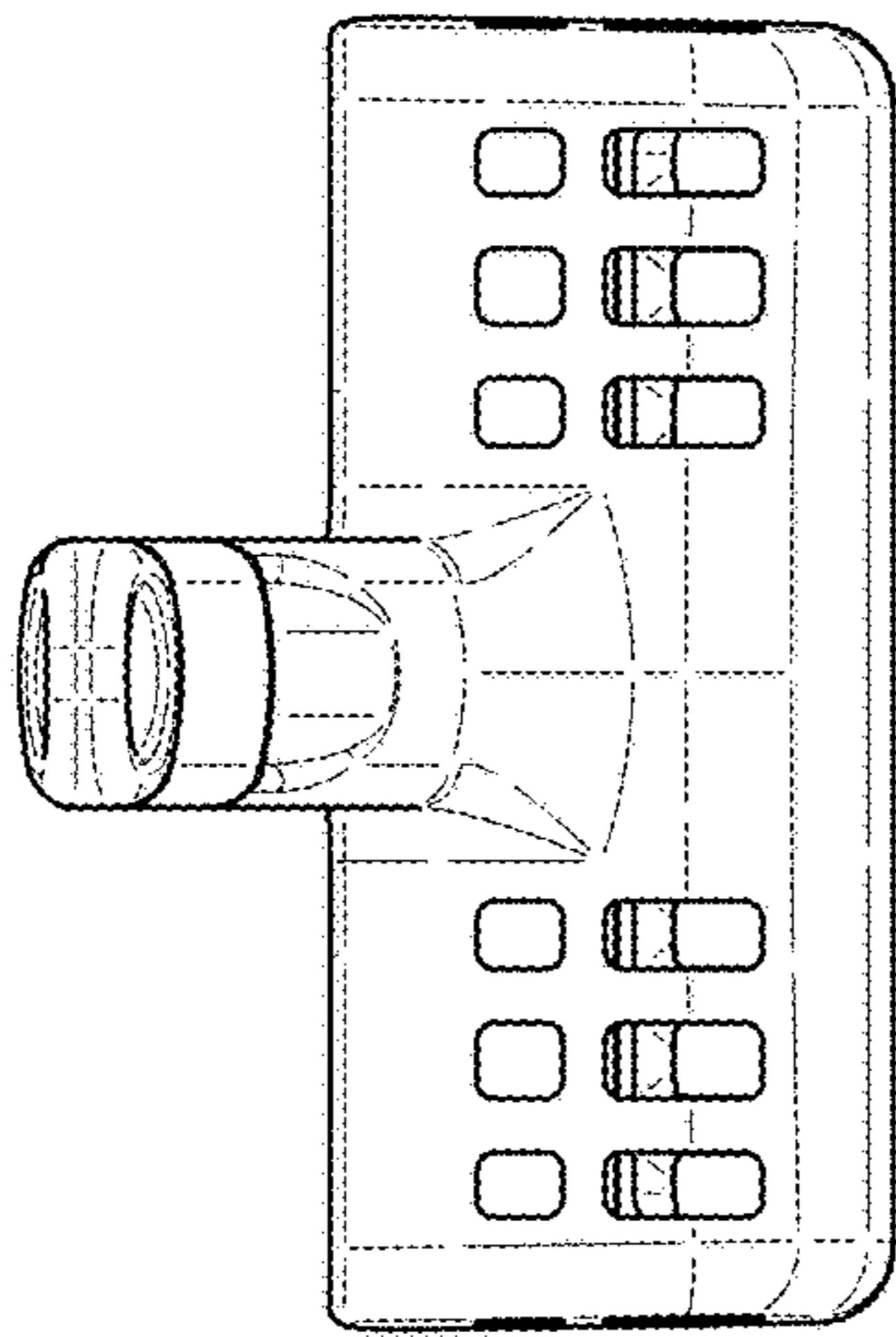


FIG. 5

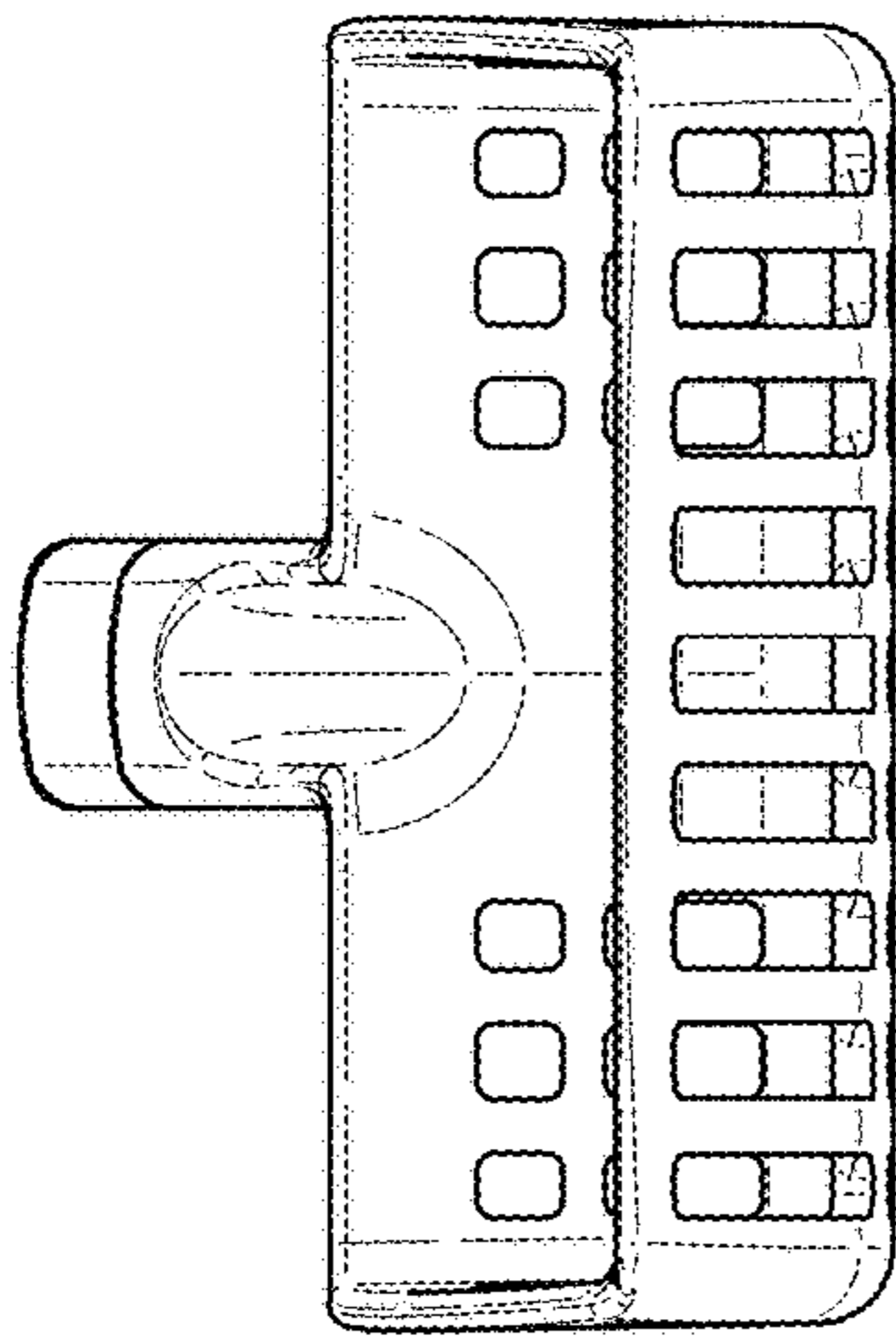


FIG. 6

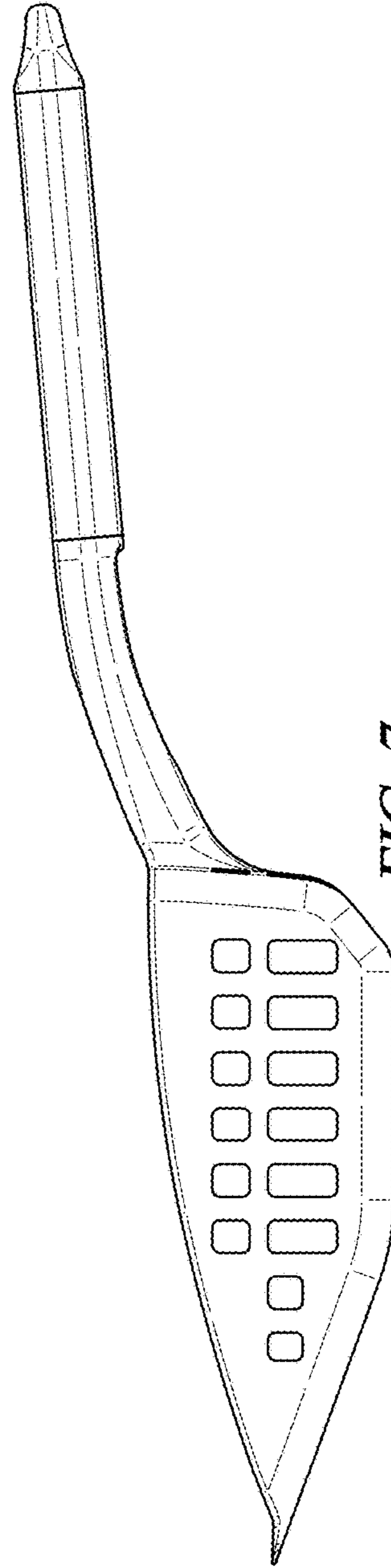


FIG. 7