



US00D841901S

(12) **United States Design Patent**
Renforth et al.

(10) **Patent No.:** **US D841,901 S**

(45) **Date of Patent:** **** Feb. 26, 2019**

- (54) **PET TOY**
- (71) Applicant: **Doskocil Manufacturing Company, Inc., Arlington, TX (US)**
- (72) Inventors: **Jack Renforth, Azle, TX (US); Josiah Wilhelm, Columbia Station, OH (US)**
- (73) Assignee: **DOSKOCIL MANUFACTURING COMPANY, INC, Arlington, TX (US)**
- (**) Term: **15 Years**
- (21) Appl. No.: **29/558,045**
- (22) Filed: **Mar. 15, 2016**
- (51) **LOC (11) Cl.** **30-99**
- (52) **U.S. Cl.**
USPC **D30/160**
- (58) **Field of Classification Search**
USPC D30/129, 160
CPC .. A01K 15/024; A01K 15/025; A01K 15/026;
A01K 15/027
See application file for complete search history.

(56) **References Cited**

U.S. PATENT DOCUMENTS

- D371,641 S * 7/1996 Crowley D21/470
- 5,579,725 A * 12/1996 Boshears A01K 15/025
119/706
- D414,903 S * 10/1999 Baiera D30/160
- D471,677 S * 3/2003 Northrop D30/129
- D533,973 S * 12/2006 Kelsoe D1/106
- D606,713 S * 12/2009 Kellogg D30/160

- 7,832,362 B2 * 11/2010 Deghionno A01K 5/0114
119/707
- D656,282 S * 3/2012 Dixon D30/160
- D658,825 S * 5/2012 Wolfe, Jr. D30/160
- D659,296 S * 5/2012 Anderson D30/129
- D680,280 S * 4/2013 Nielsen D30/160
- 8,418,657 B2 * 4/2013 Dixon A01K 15/025
119/707
- D685,538 S * 7/2013 Watts D30/160
- 9,288,969 B2 * 3/2016 Christianson A01K 5/0114
- 9,622,458 B2 * 4/2017 Williams A01K 15/026
- 2010/0077963 A1 * 4/2010 Lipscomb A01K 5/0142
119/54

* cited by examiner

Primary Examiner — Cathy Anne MacCormac

(74) *Attorney, Agent, or Firm* — Global IP Counselors, LLP

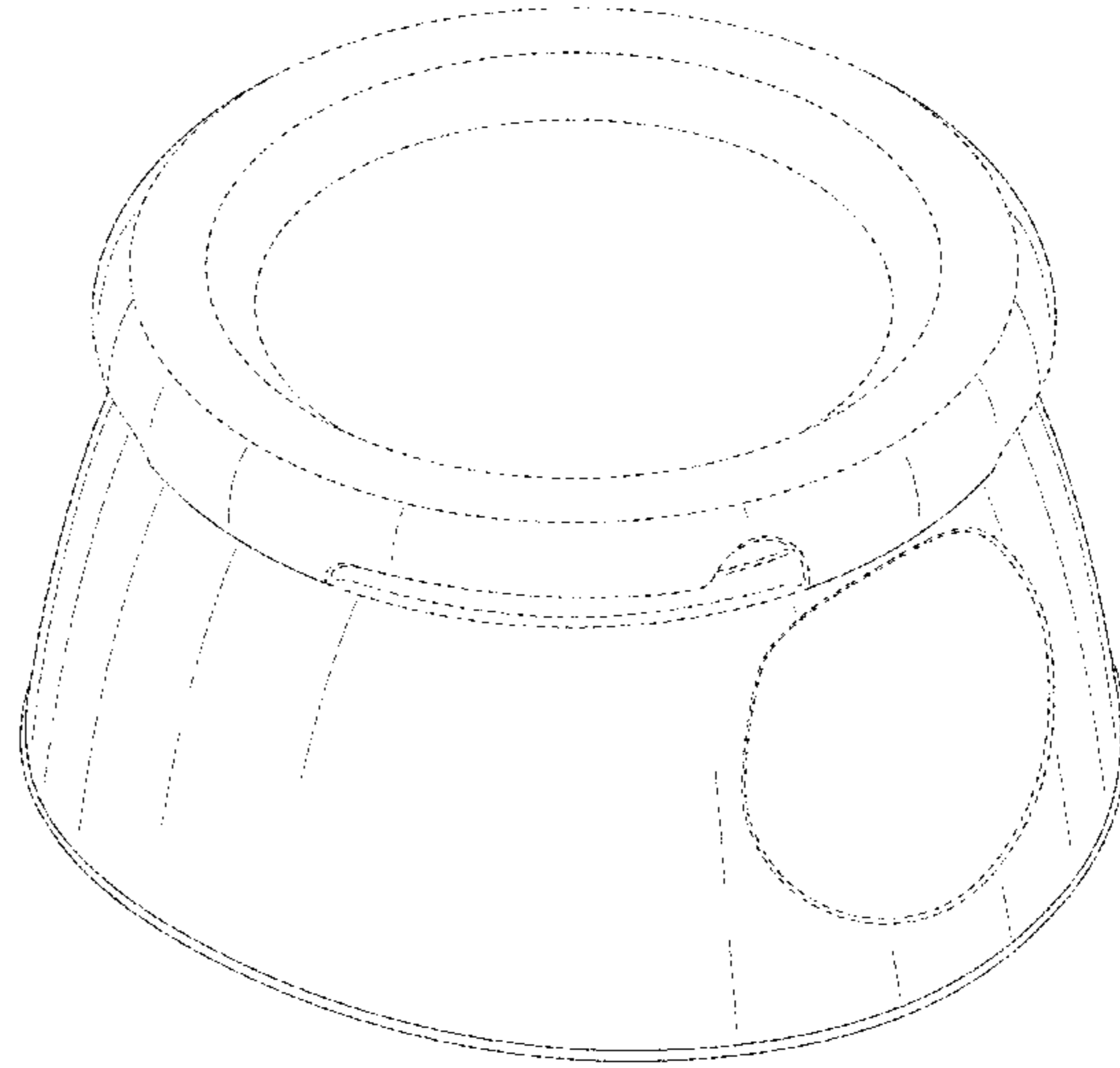
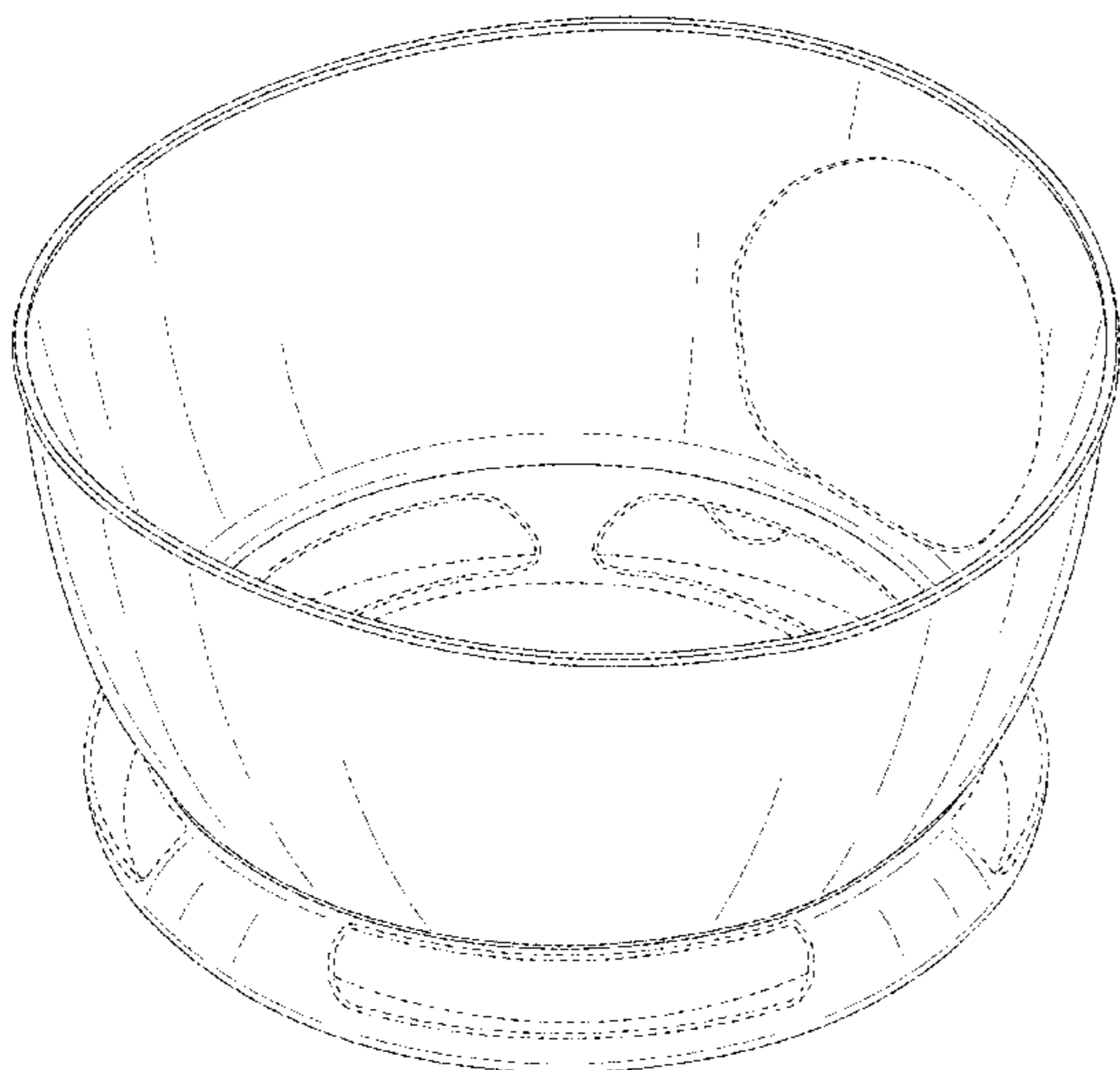
(57) **CLAIM**

The ornamental design for a pet toy, as shown and described.

DESCRIPTION

FIG. 1 is a top perspective view of a pet toy in accordance with our new design;
 FIG. 2 is a back view thereof;
 FIG. 3 is a front view thereof;
 FIG. 4 is a right side view thereof;
 FIG. 5 is a left side view thereof;
 FIG. 6 is a top view thereof;
 FIG. 7 is a bottom view thereof; and,
 FIG. 8 is a bottom perspective view thereof.
 The broken lines depict environmental subject matter, are for illustration only, and form no part of the claimed design.

1 Claim, 6 Drawing Sheets



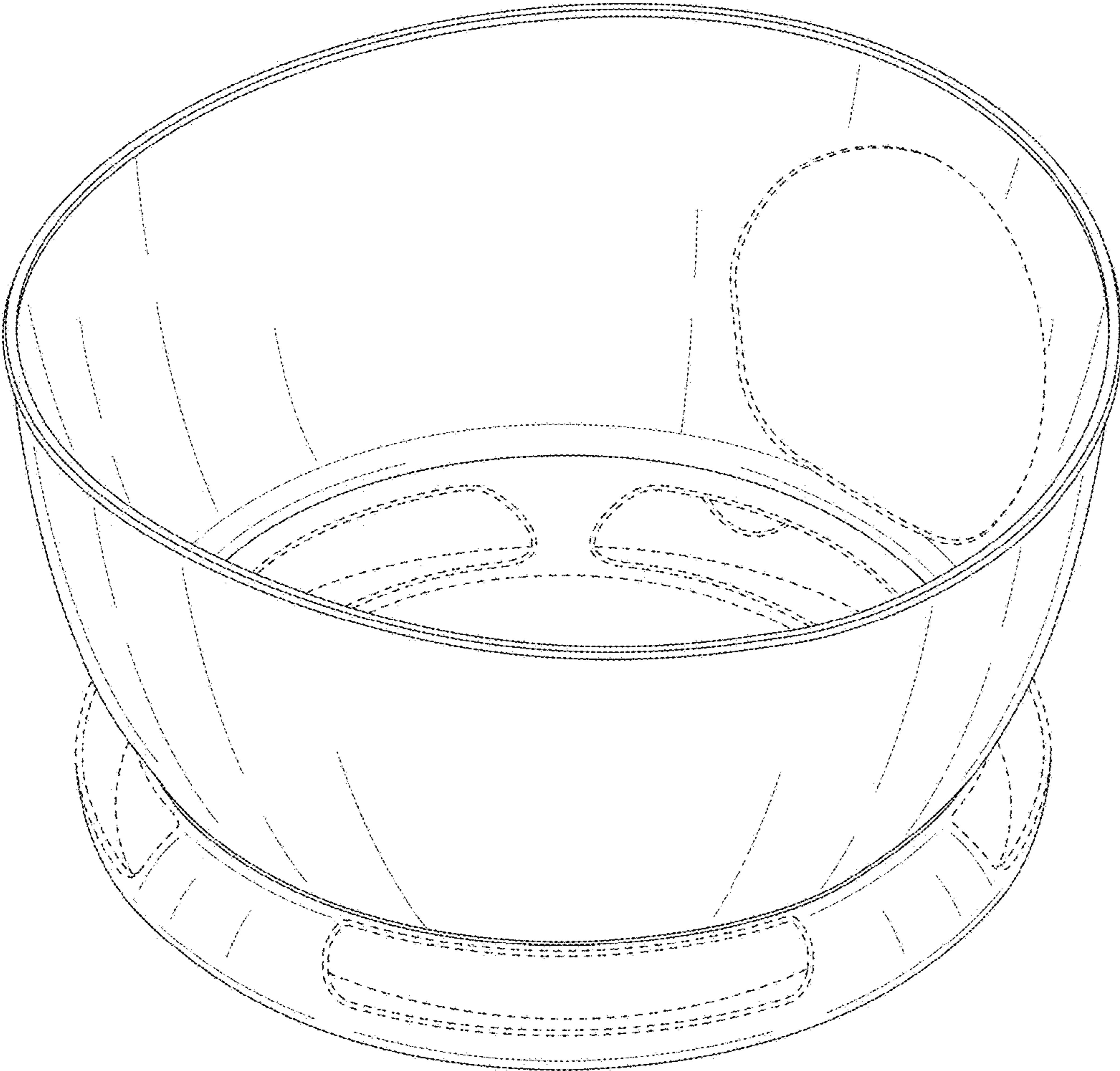


FIG. 1

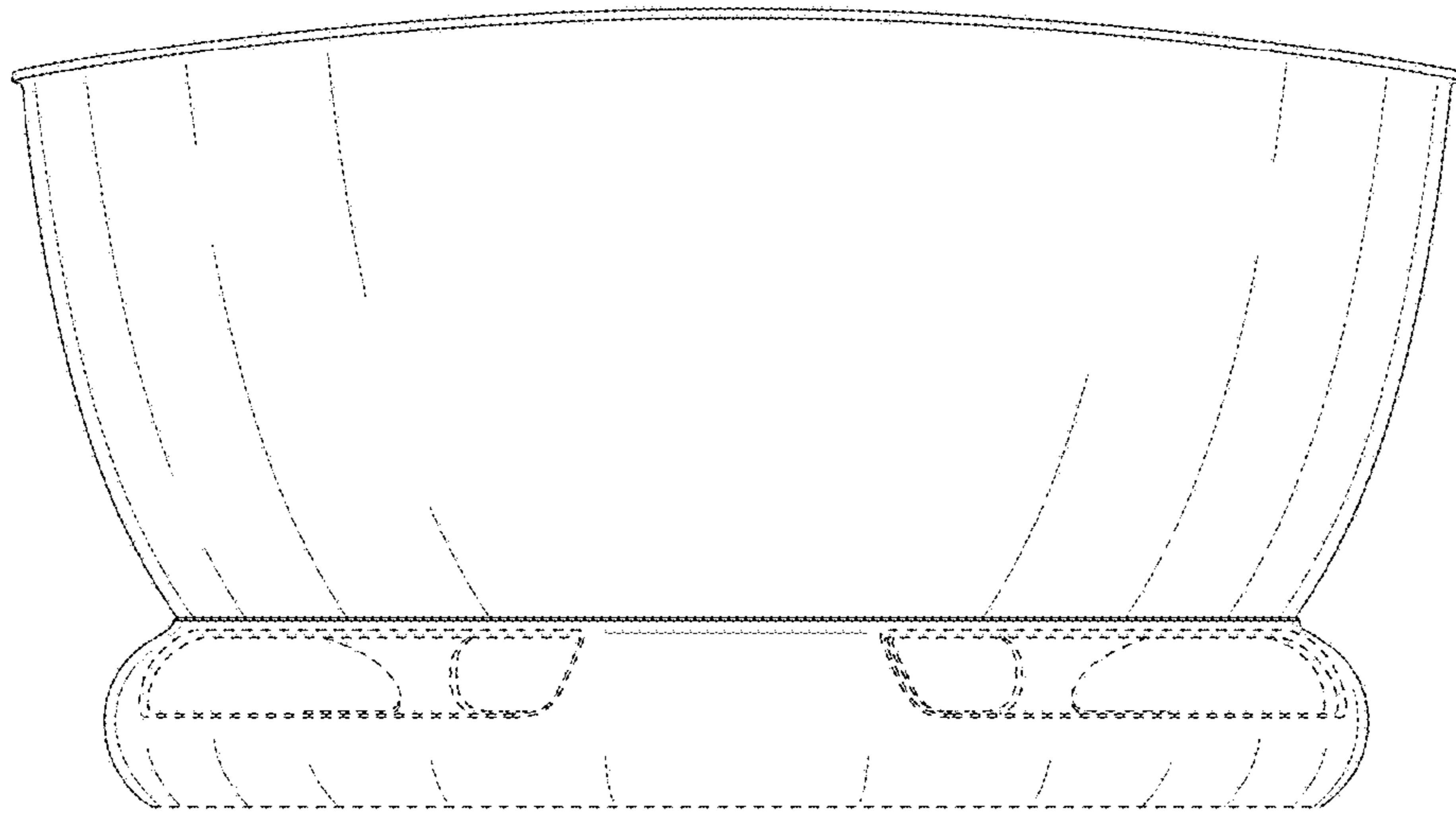


FIG. 2

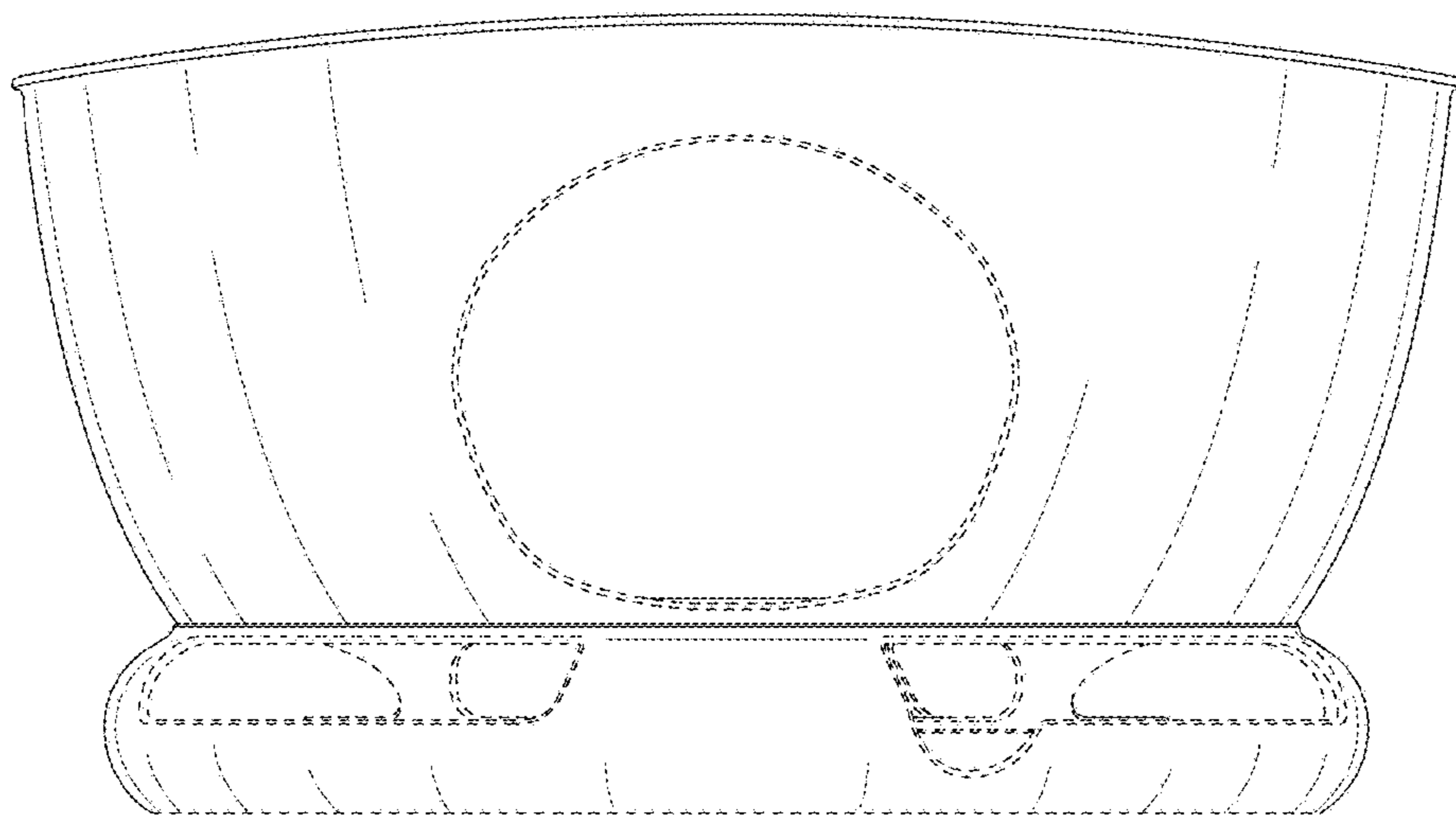


FIG. 3

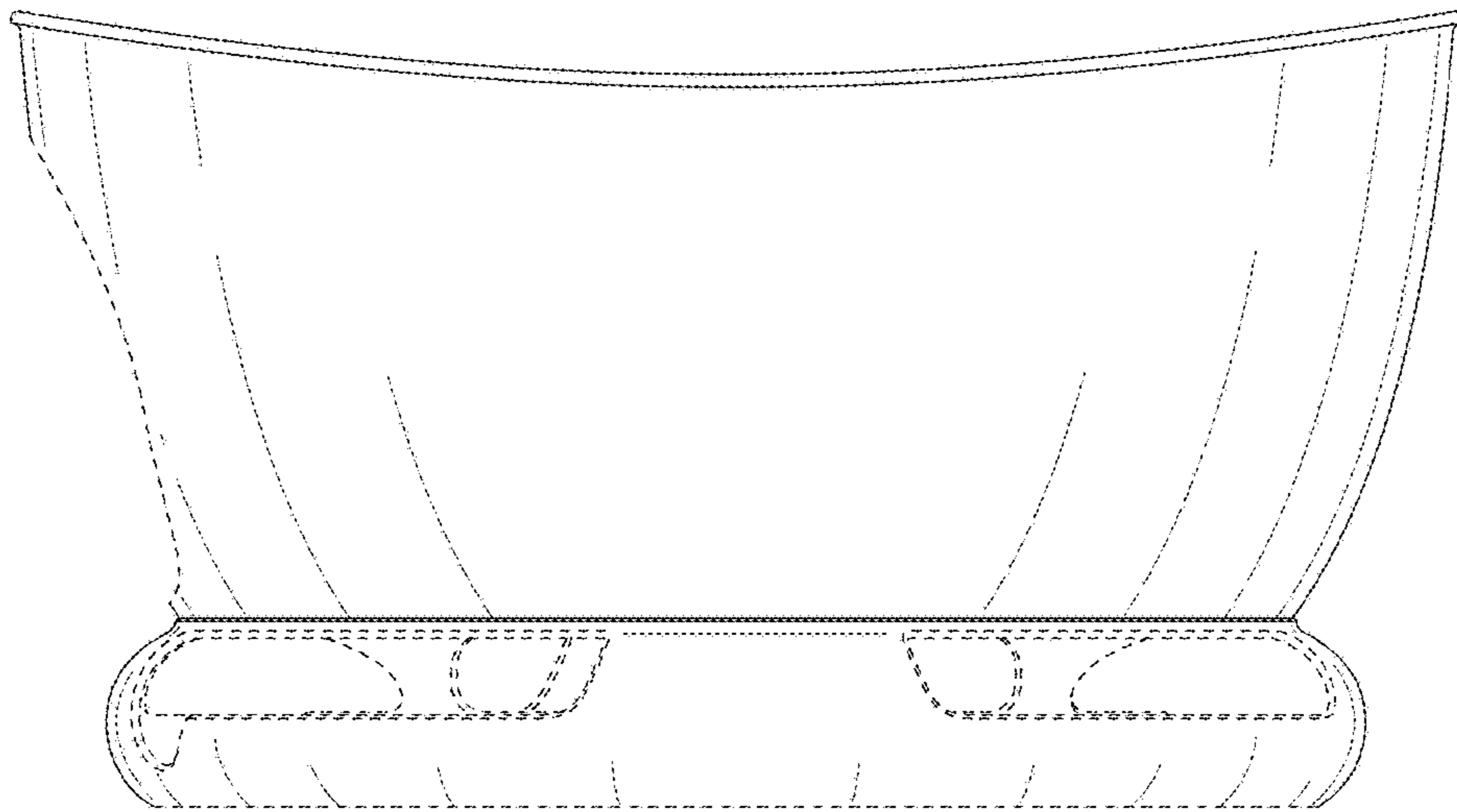


FIG. 4

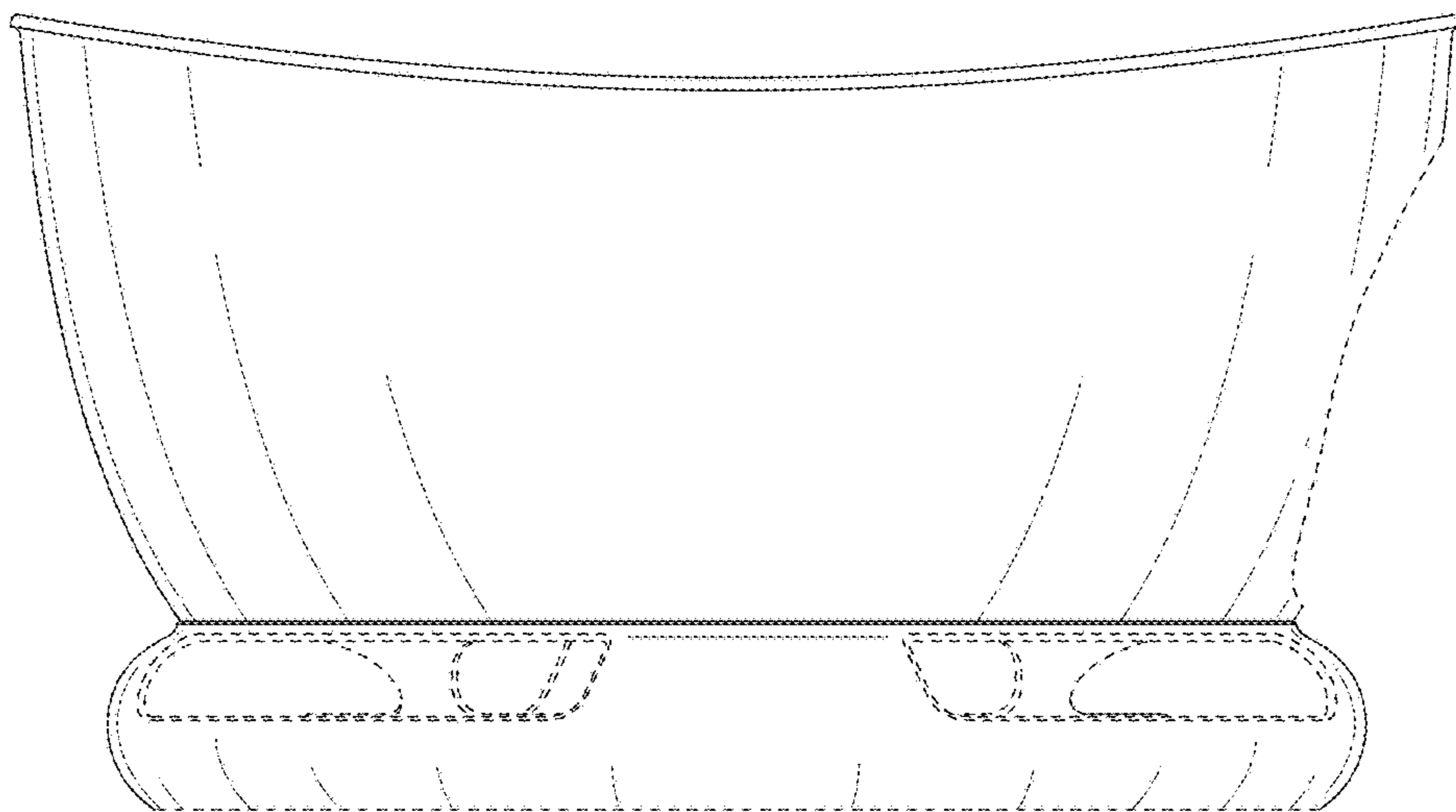


FIG. 5

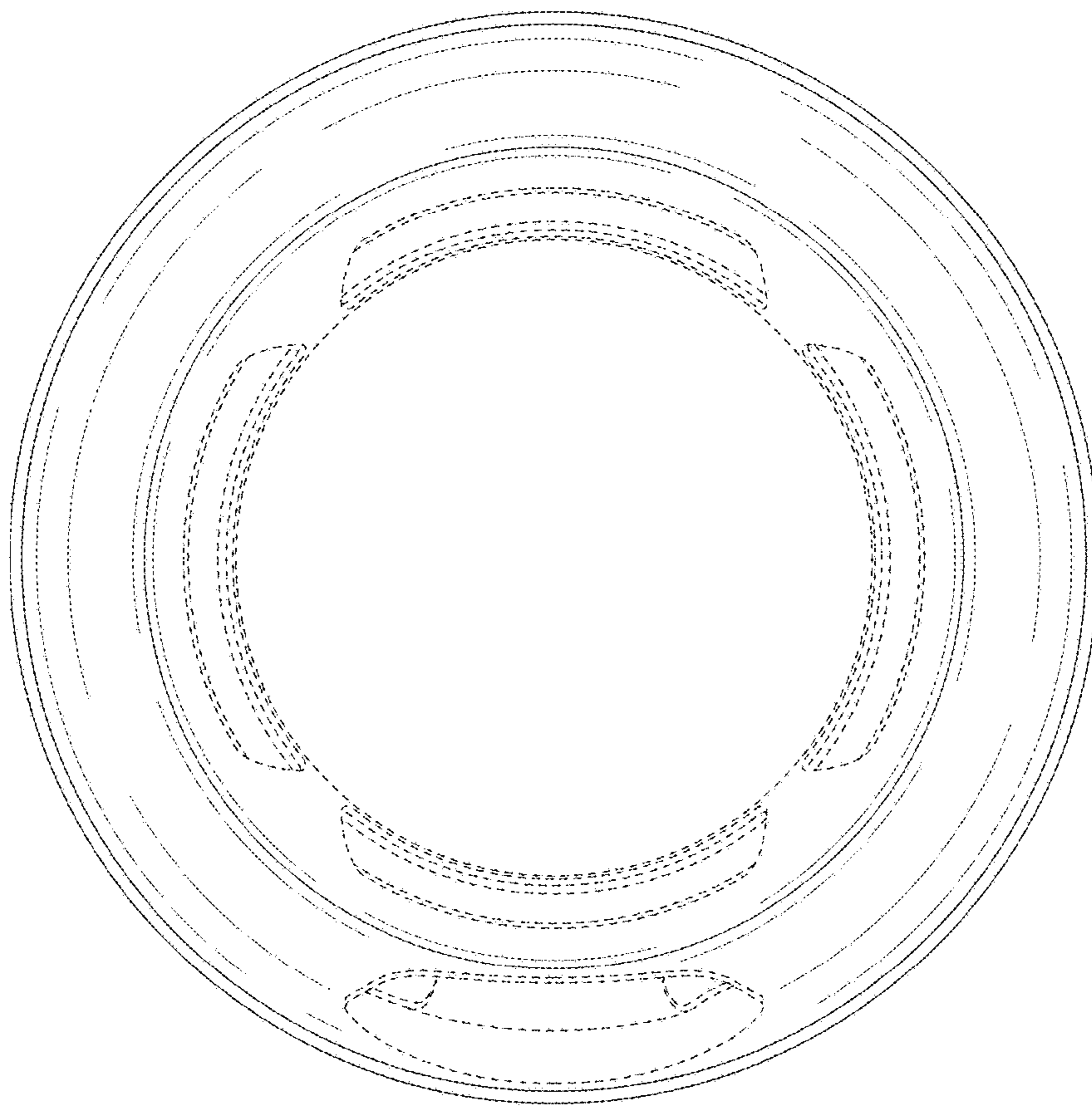


FIG. 6

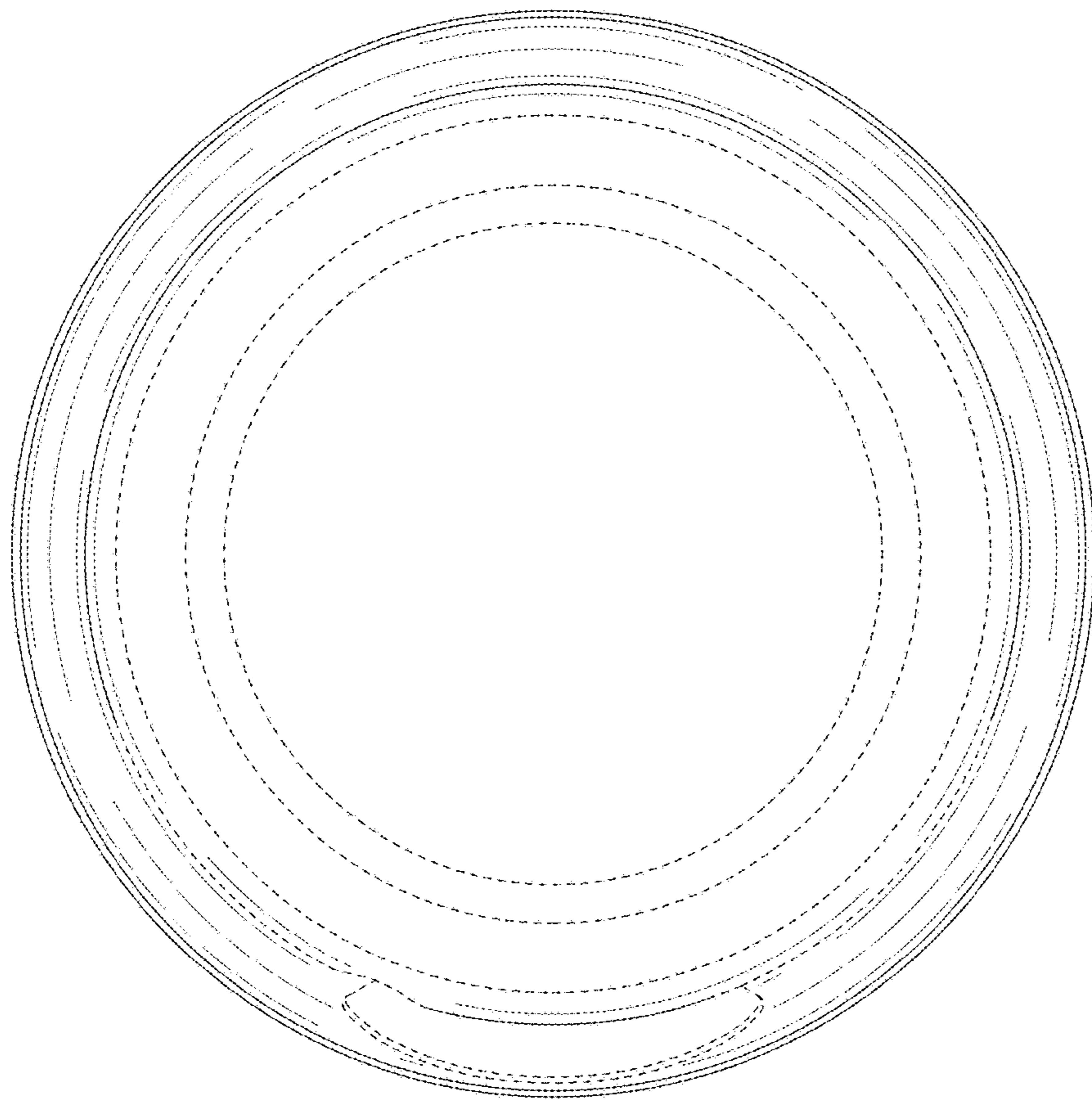


FIG. 7

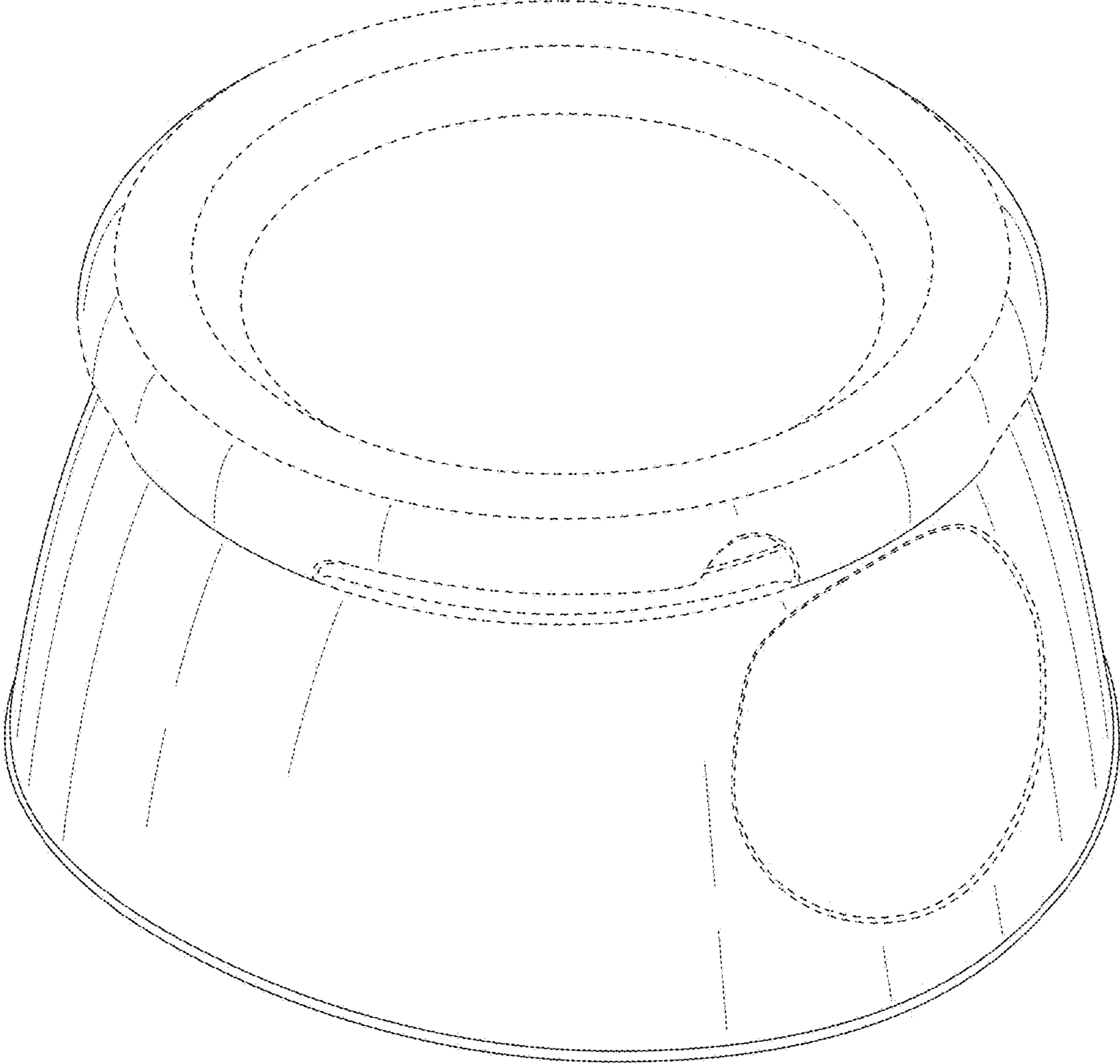


FIG. 8