



US00D841896S

(12) **United States Design Patent** (10) **Patent No.:** **US D841,896 S**  
**Wu** (45) **Date of Patent:** **\*\* Feb. 26, 2019**

(54) **AUTO-DARKENING WELDING FILTER  
DISPLAY SCREEN WITH TOUCH  
GRAPHICAL USER INTERFACE**

D678,619 S \* 3/2013 Jackson ..... D29/110  
D683,502 S \* 5/2013 Jackson ..... D29/110  
D683,906 S \* 6/2013 Jackson ..... D29/110  
D721,169 S \* 1/2015 Moon ..... A62B 18/02  
D24/110.1  
D734,558 S \* 7/2015 Wu ..... D29/110  
(Continued)

(71) Applicant: **Tecmen Electronics Co., Ltd.**, Nanjing (CN)

*Primary Examiner* — Rhea Shields

(72) Inventor: **Ziqian Wu**, Nanjing (CN)

(73) Assignee: **Tecmen Electronics Co., Ltd.**, Nanjing (CN)

(57) **CLAIM**

(\*\*) Term: **15 Years**

The ornamental design for an auto-darkening welding filter display screen with touch graphical user interface, as shown and described.

(21) Appl. No.: **29/535,321**

(22) Filed: **Aug. 5, 2015**

**DESCRIPTION**

(30) **Foreign Application Priority Data**

Apr. 7, 2015 (CN) ..... 2015 3 0087743

(51) **LOC (11) Cl.** ..... **02-99**

(52) **U.S. Cl.**  
USPC ..... **D29/122**

(58) **Field of Classification Search**  
USPC ..... D29/109, 122, 110; D24/110.1; 2/8.1, 2/8.3  
CPC .. A61F 9/06; A61F 9/061; A61F 9/065; A61F 9/067; A62B 18/02  
See application file for complete search history.

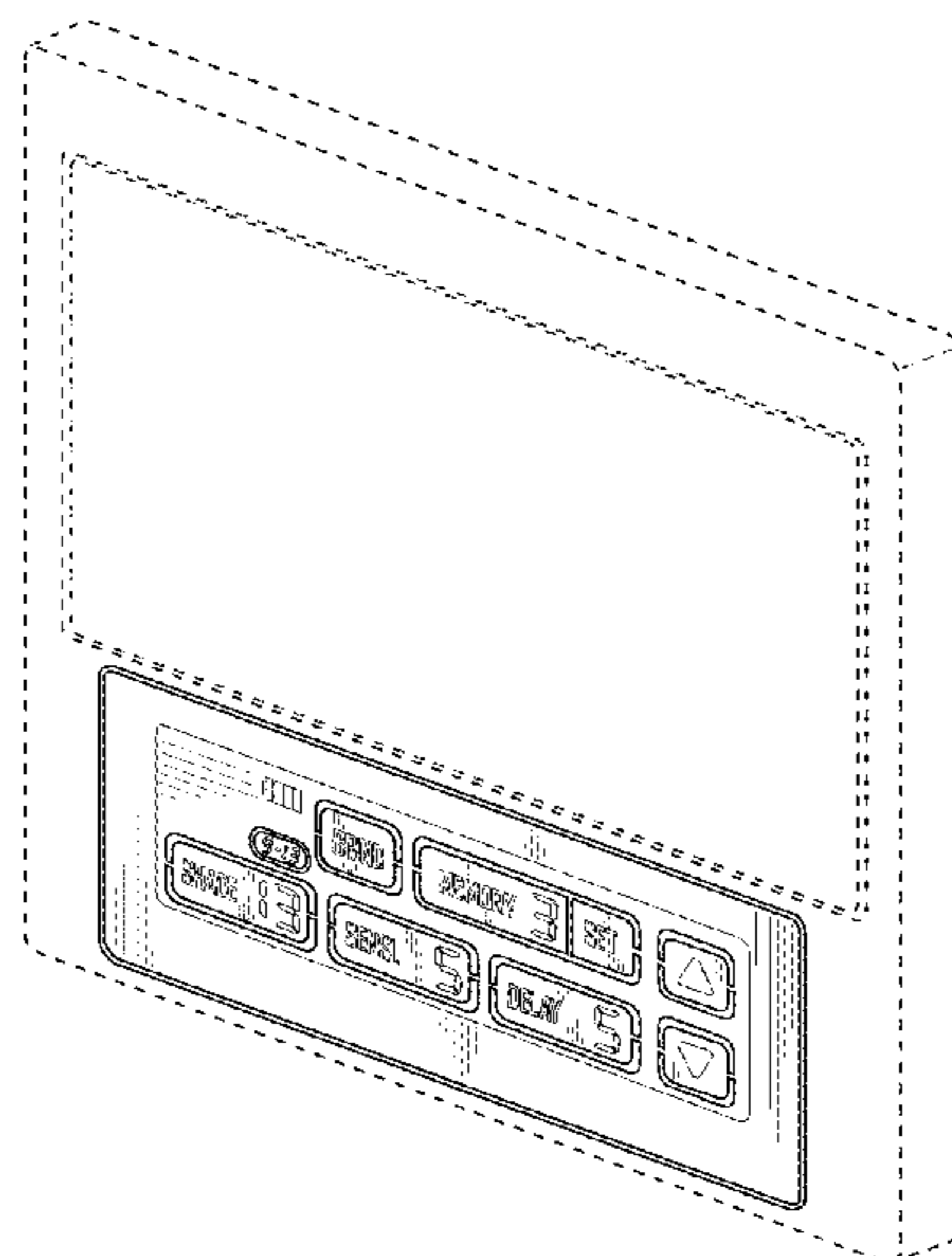
FIG. 1 is a top, back, right side perspective view of a first embodiment of an auto-darkening welding filter display screen with touch graphical user interface showing my new design;  
FIG. 2 is a top, front, right side perspective view thereof;  
FIG. 3 is a rear view thereof;  
FIG. 4 is a front view thereof;  
FIG. 5 is a left side view thereof;  
FIG. 6 is a right side view thereof;  
FIG. 7 is a top plan view thereof; and  
FIG. 8 is a bottom plan view thereof.  
FIG. 9 is an enlarged front view of a second embodiment of an auto-darkening welding filter display screen with touch graphical user interface, showing my new design; and,  
FIG. 10 is an enlarged front view of a third embodiment of an auto-darkening welding filter display screen with touch graphical user interface, showing my new design.  
In the drawings, the dash-dash broken lines are for the purpose of illustrating the auto-darkening welding filter display screen with touch graphical user interface that forms no part of the claimed design. In FIGS. 1, 3, 9, and 10 the fragmented lines form a part of the claimed design.

(56) **References Cited**

U.S. PATENT DOCUMENTS

2,505,640 A \* 4/1950 Fitch ..... A61F 9/06  
2/8.1  
3,251,065 A \* 5/1966 Caldwell ..... A61F 9/061  
2/8.3  
4,774,723 A \* 10/1988 Ruck ..... A61F 9/06  
2/8.1  
5,062,156 A \* 11/1991 Siegal ..... A61F 9/06  
2/8.1  
D616,155 S \* 5/2010 Juhlin ..... D29/122

**1 Claim, 9 Drawing Sheets**



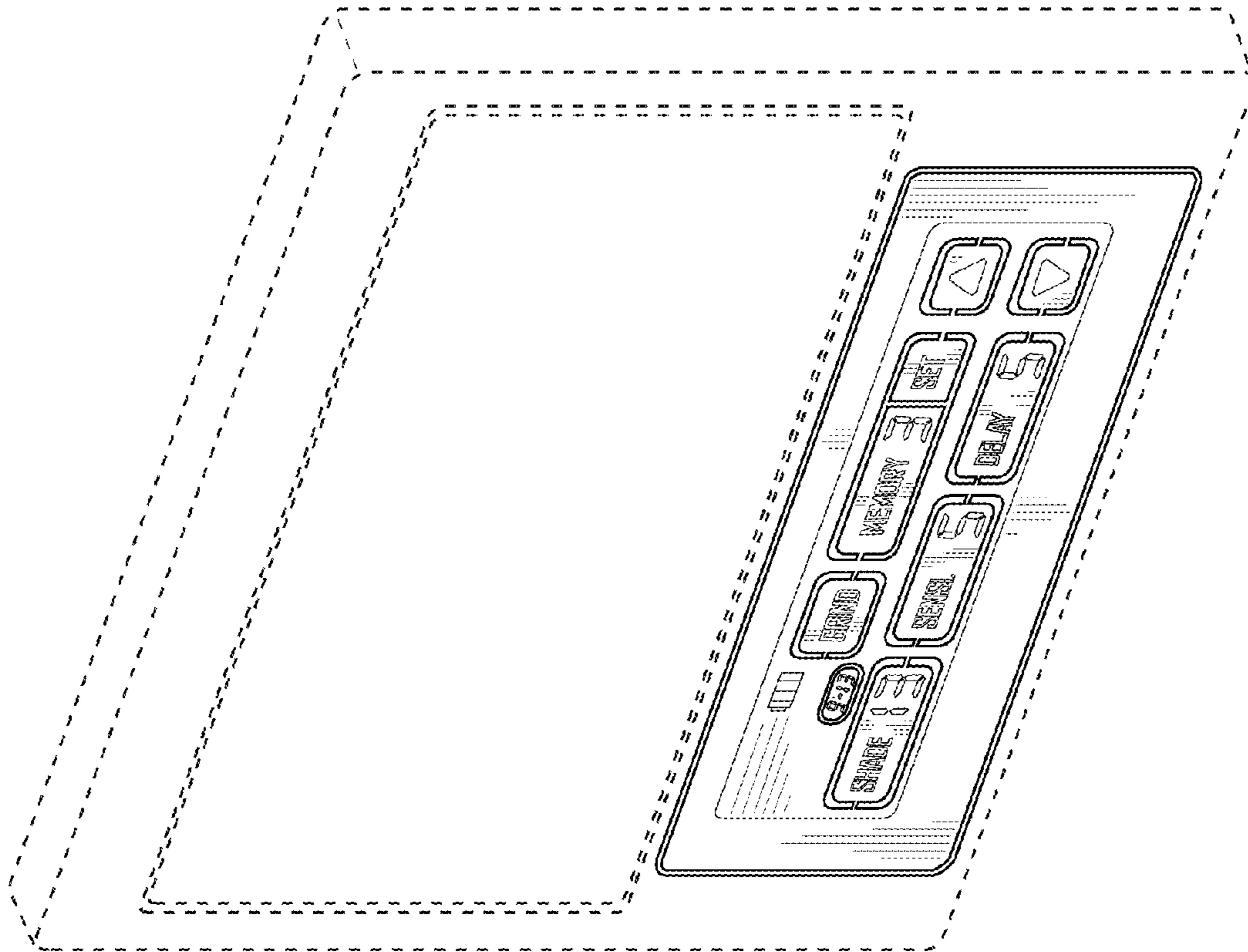
(56)

**References Cited**

U.S. PATENT DOCUMENTS

D775,344 S \* 12/2016 Wu ..... D24/162  
2017/0252215 A1 \* 9/2017 Wu ..... A61F 9/065  
2017/0258639 A1 \* 9/2017 Wu ..... A61F 9/067

\* cited by examiner



**FIG. 1**

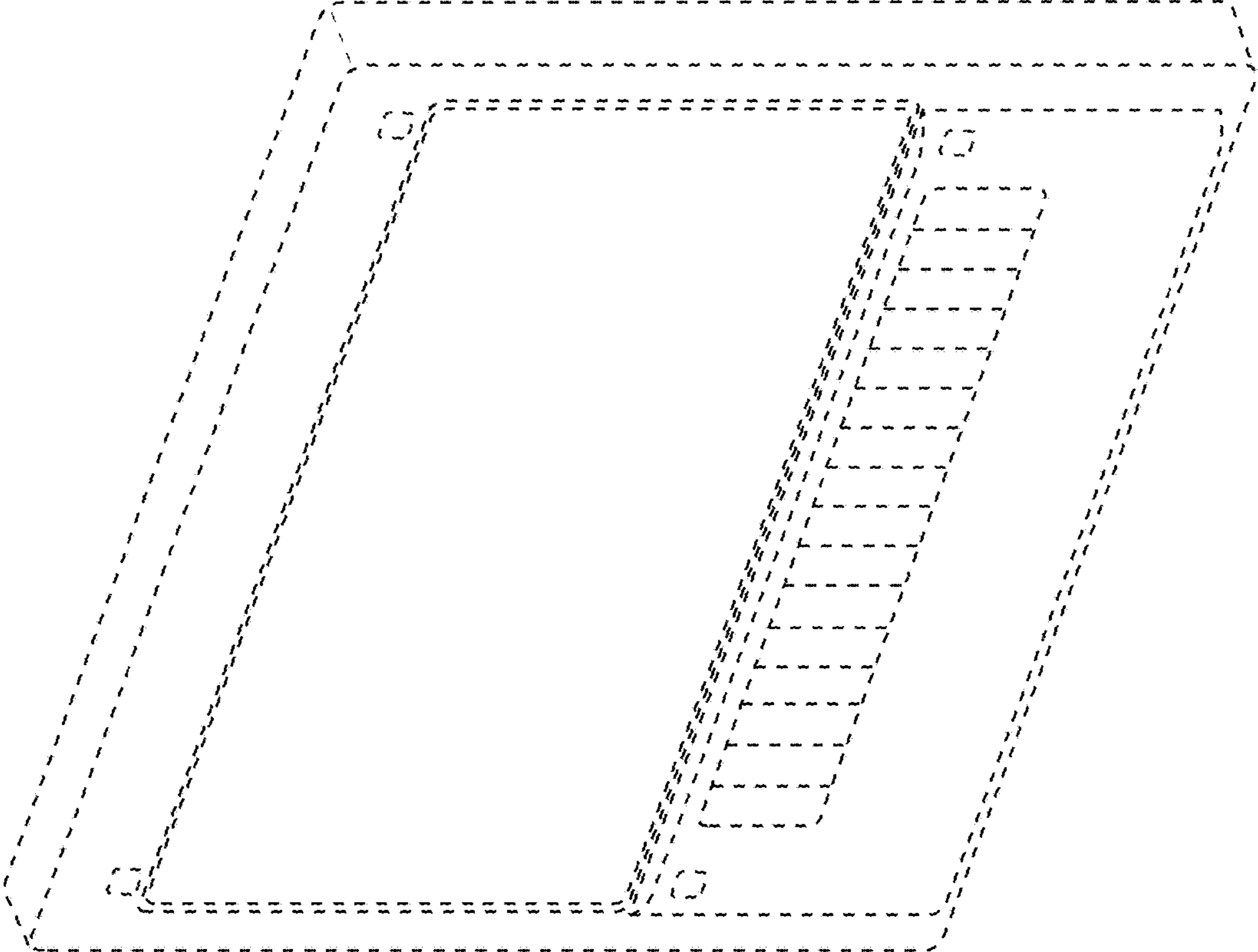
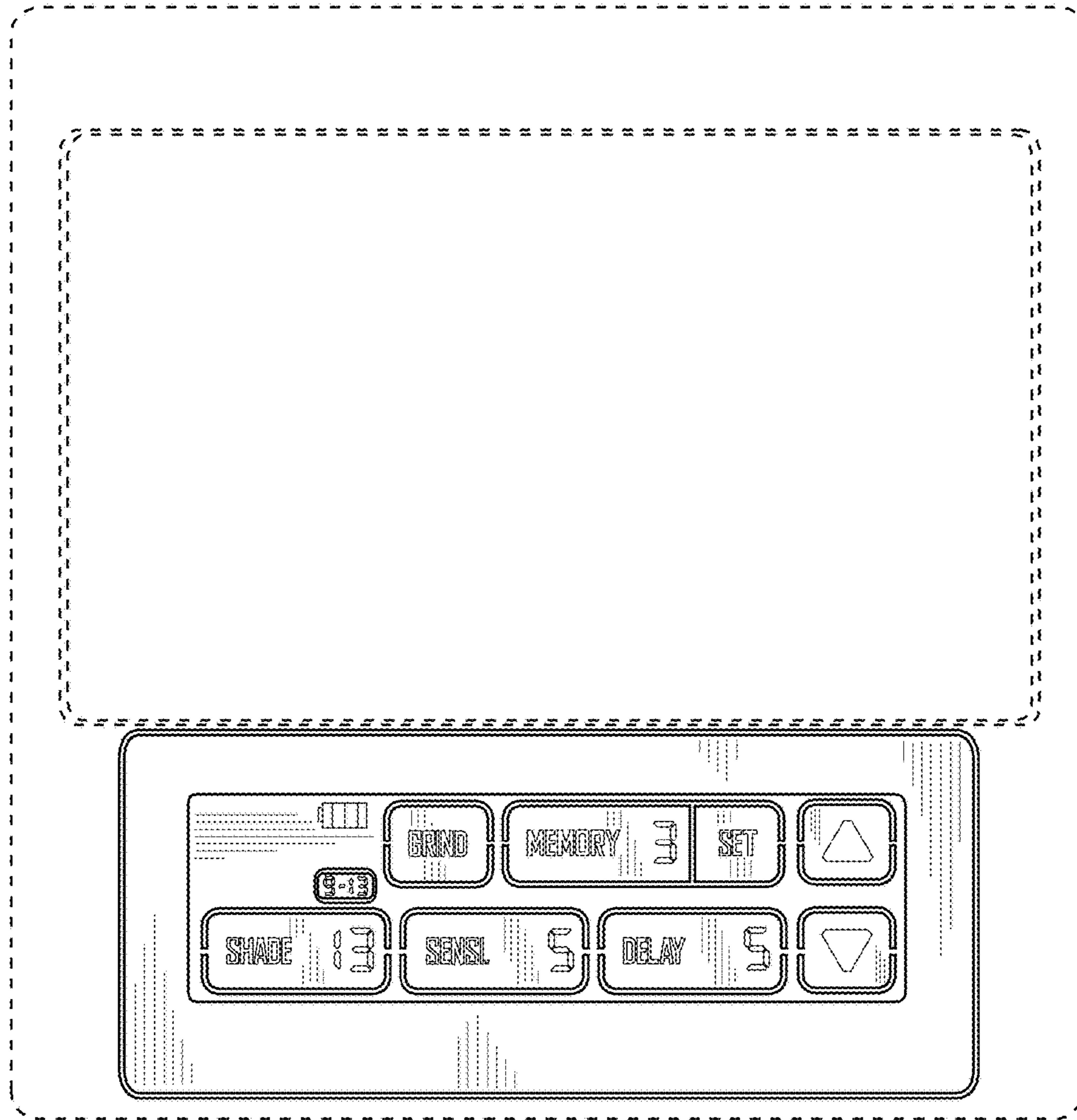
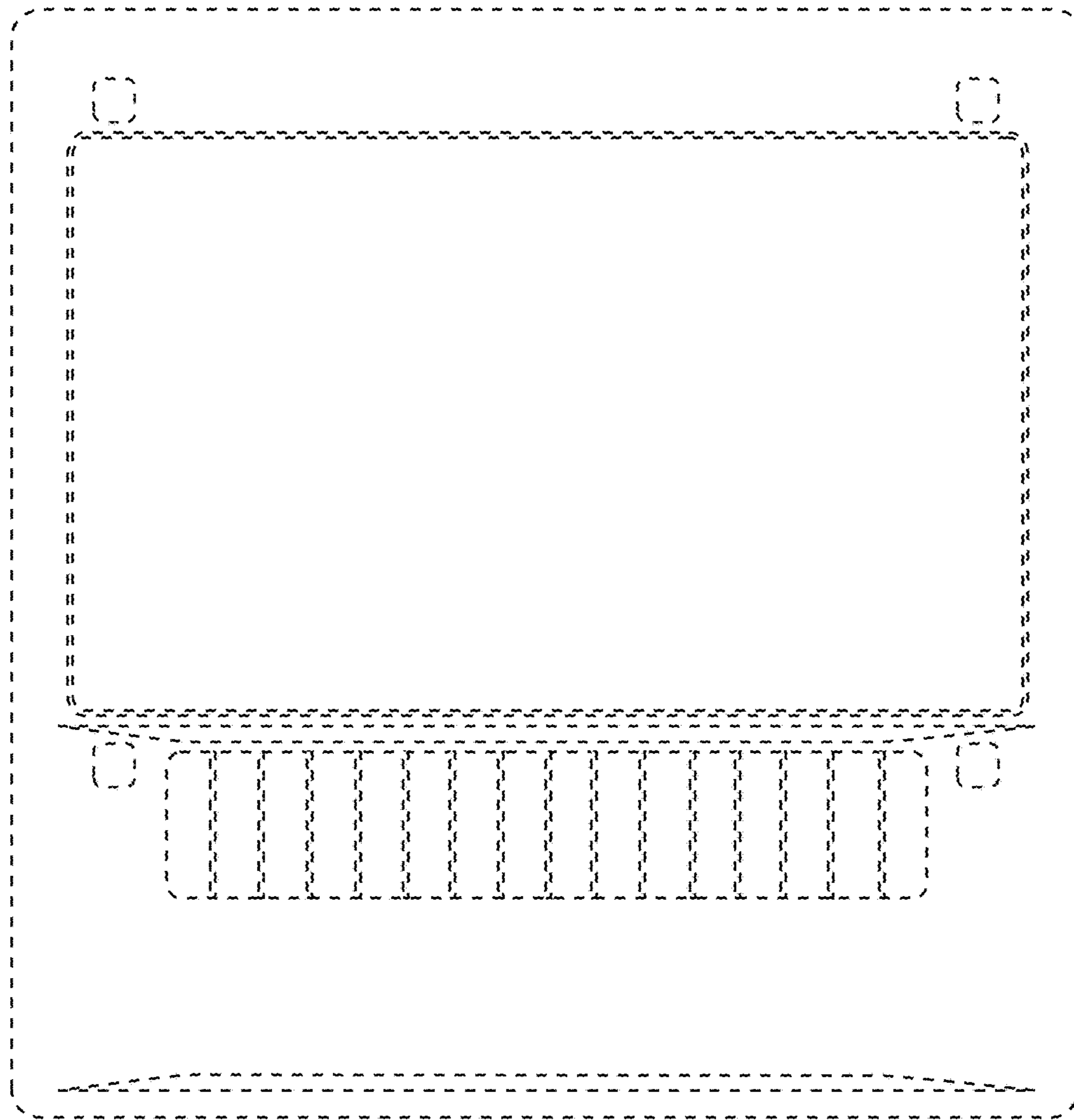


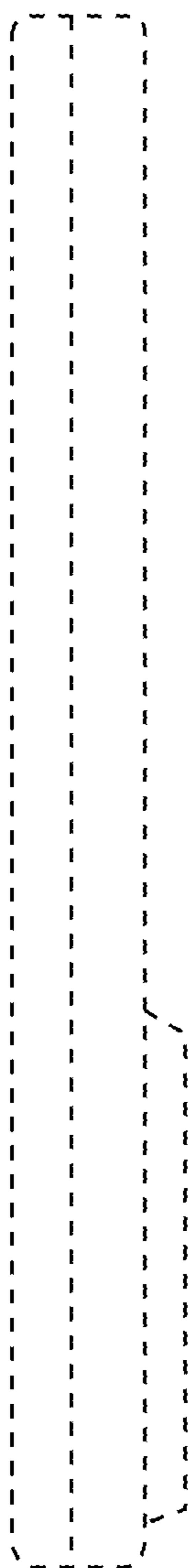
FIG. 2



**FIG. 3**

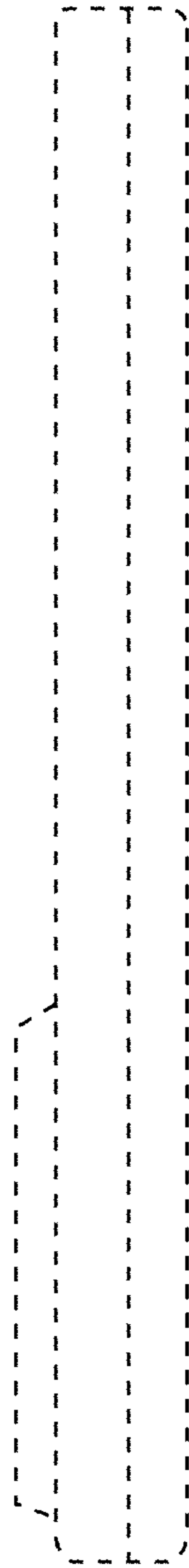


**FIG. 4**



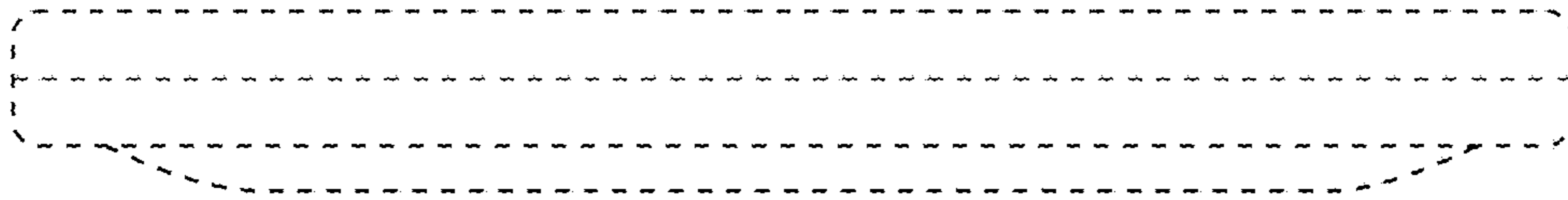
**FIG. 5**



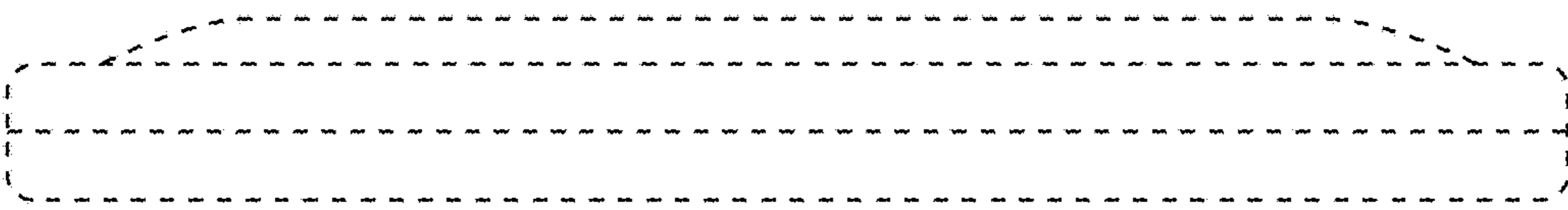


**FIG. 6**

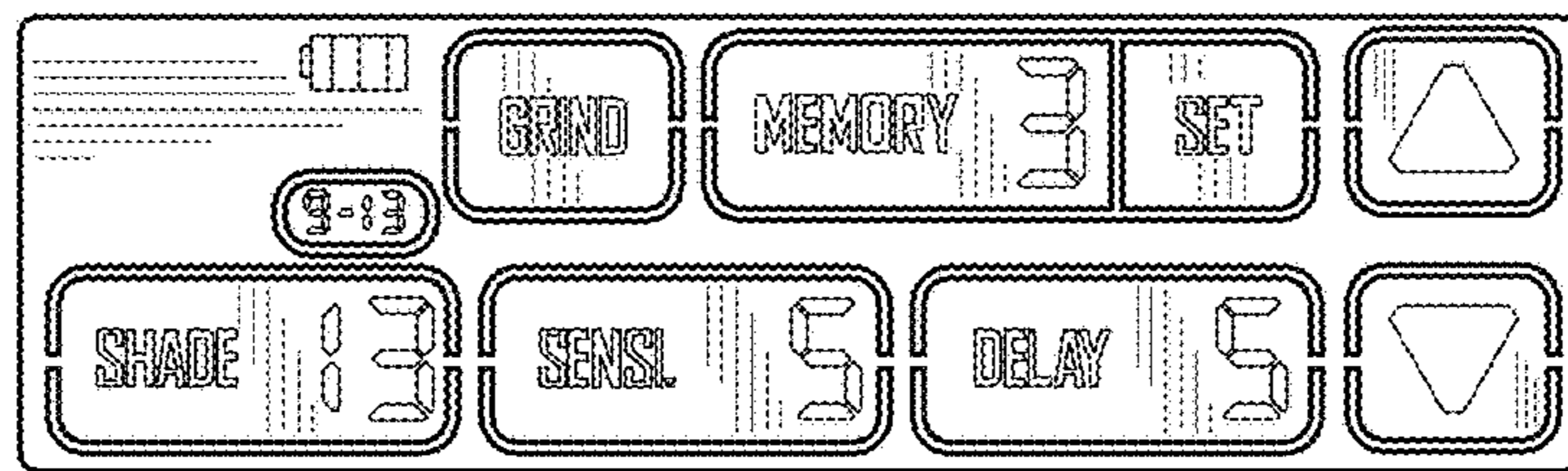




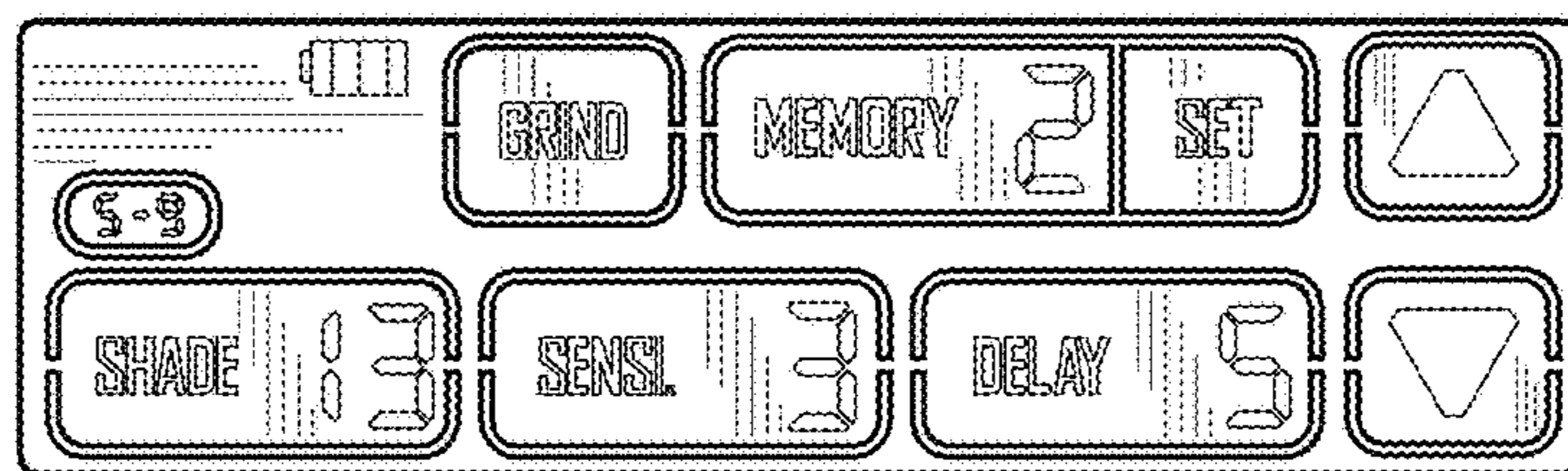
***FIG. 7***



**FIG. 8**



**FIG. 9**



**FIG. 10**