



US00D841888S

(12) **United States Design Patent**
Ouyang et al.

(10) **Patent No.:** **US D841,888 S**

(45) **Date of Patent:** **** Feb. 26, 2019**

- (54) **FINGERNAIL DRYER**
- (71) Applicant: **SHENZHEN UVLED OPTICAL TECHNOLOGY CO., LTD.**, Shenzhen (CN)
- (72) Inventors: **Chenyi Ouyang**, Shenzhen (CN); **Zhulin Bai**, Shenzhen (CN)
- (73) Assignee: **SHENZHEN UVLED OPTICAL TECHNOLOGY CO., LTD.**, Shenzhen (CN)
- (**) Term: **15 Years**
- (21) Appl. No.: **29/583,935**
- (22) Filed: **Nov. 10, 2016**
- (51) **LOC (11) Cl.** **28-03**
- (52) **U.S. Cl.**
USPC **D28/58**
- (58) **Field of Classification Search**
USPC D28/12, 19, 54.1, 57-58, 61, 78, 82, 28/88-89, 91; 34/90, 104, 202, 231; 250/455.11, 515.1, 494.1, 504, 504 R; 132/73-75
CPC .. A45D 29/22; A45D 29/20; A45D 2200/205; F26B 9/003; F26B 3/28
See application file for complete search history.

- 8,128,465 B2 * 3/2012 Collins A47K 10/48 34/202
- D662,259 S * 6/2012 Vu D28/54.1
- 8,450,705 B1 * 5/2013 Chen F26B 3/28 250/492.1
- D692,617 S * 10/2013 Haile D28/58

(Continued)

OTHER PUBLICATIONS

SUNUV SUN3 Nail Lamp, posted at uvled.tw, date and author not listed © 2009-2015 Shenzhen UVLED Optoelectronic Technology Co., Ltd., online, site visited Jan. 3, 2018. Available from Internet, URL: <http://www.uvled.tw/4042.html> (Year: 0000).*

Primary Examiner — Shannon W Morgan
Assistant Examiner — Altaira J Swangin

(57) **CLAIM**

The ornamental design for a fingernail dryer, as shown and described.

DESCRIPTION

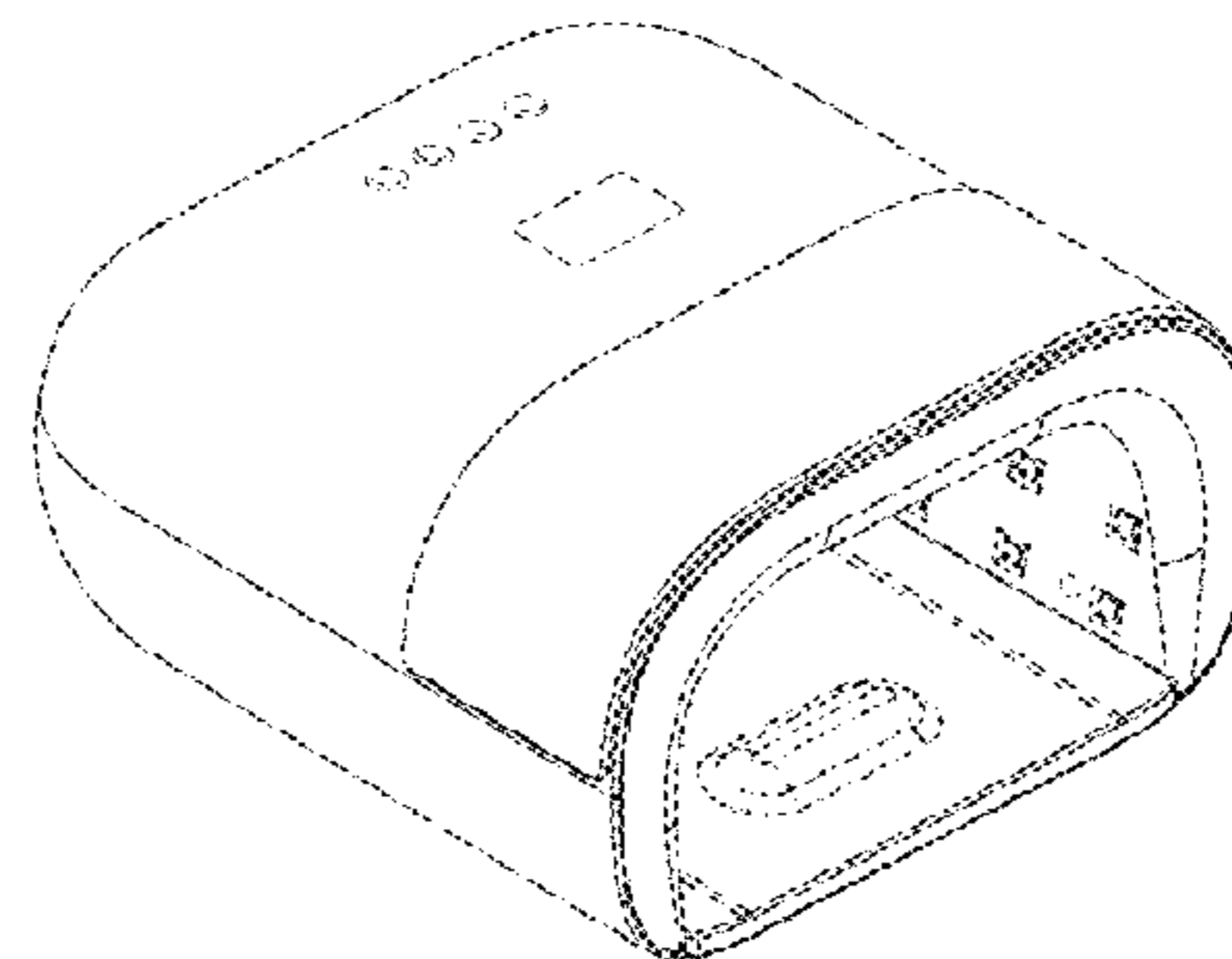
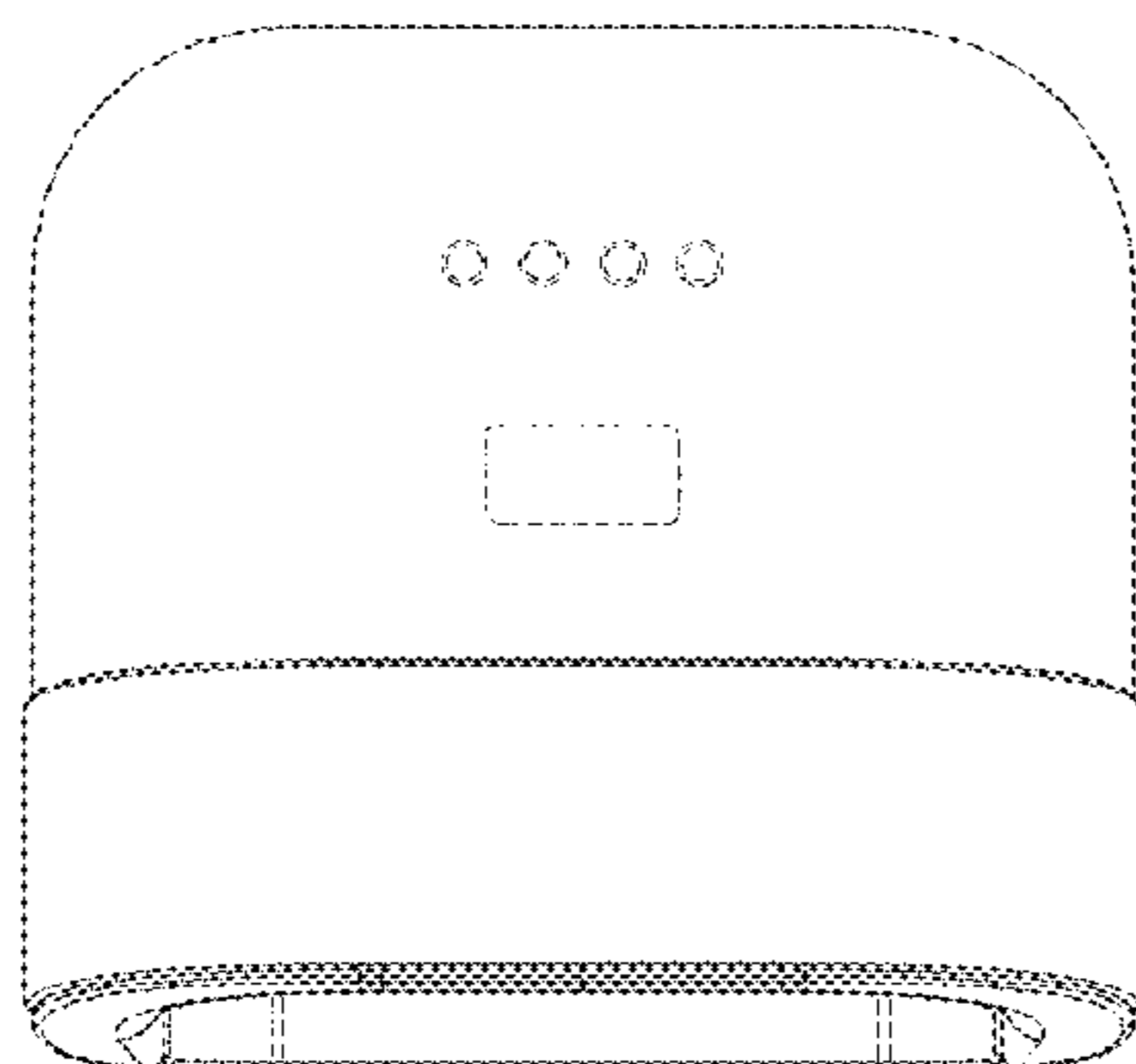
FIG. 1 is a front view of an ornamental design for a fingernail dryer showing our new design;
FIG. 2 is a rear view of an ornamental design for the fingernail dryer thereof;
FIG. 3 is a left side view of an ornamental design for the fingernail dryer thereof;
FIG. 4 is a right side view of an ornamental design for the fingernail dryer thereof;
FIG. 5 is a top view of an ornamental design for the fingernail dryer thereof;
FIG. 6 is a bottom view of an ornamental design for the fingernail dryer thereof; and,
FIG. 7 is a perspective view of an ornamental design for the fingernail dryer according to our invention.
The dashed lines, shown in the drawings, depict portions of the fingernail dryer that form no part of the claimed design.

1 Claim, 6 Drawing Sheets

(56) **References Cited**

U.S. PATENT DOCUMENTS

- 4,979,523 A * 12/1990 Grimm A45D 29/18 132/73.5
- D381,464 S * 7/1997 Schaeffer D28/54.1
- D481,826 S * 11/2003 Martinuzzo D28/54.1
- D532,931 S * 11/2006 Chang D28/54.1
- D601,302 S * 9/2009 Chang D28/54.1
- 7,804,074 B2 * 9/2010 Bernecker A45D 29/00 132/73
- D643,576 S * 8/2011 Chan D28/58
- D646,850 S * 10/2011 Curzon A47K 10/48 D28/54.1



(56)

References Cited

U.S. PATENT DOCUMENTS

8,624,202	B2 *	1/2014	Gil	A61L 2/10 250/453.11
D765,314	S *	8/2016	Loibl	D28/54.1
D776,352	S *	1/2017	Gagnon	D28/54.1
D780,995	S *	3/2017	Ayre	D28/54.1
D780,996	S *	3/2017	Ayre	D28/54.1
D789,604	S *	6/2017	Levi	D24/133
D826,476	S *	8/2018	Cozzolino	D28/61
2009/0004962	A1 *	1/2009	Collins	A47K 10/48 454/252
2013/0109001	A1 *	5/2013	Pan	A45D 29/00 434/275
2013/0134447	A1 *	5/2013	Pan	A45D 29/00 257/88
2014/0338216	A1 *	11/2014	Li	A45D 29/00 34/275
2015/0013709	A1 *	1/2015	Scheurn	A45D 29/007 132/200
2015/0082654	A1 *	3/2015	Jaegal	A45D 29/00 34/275
2015/0182001	A1 *	7/2015	Yi	A45D 29/00 132/200
2016/0367712	A1 *	12/2016	Robert	A61L 9/22

* cited by examiner

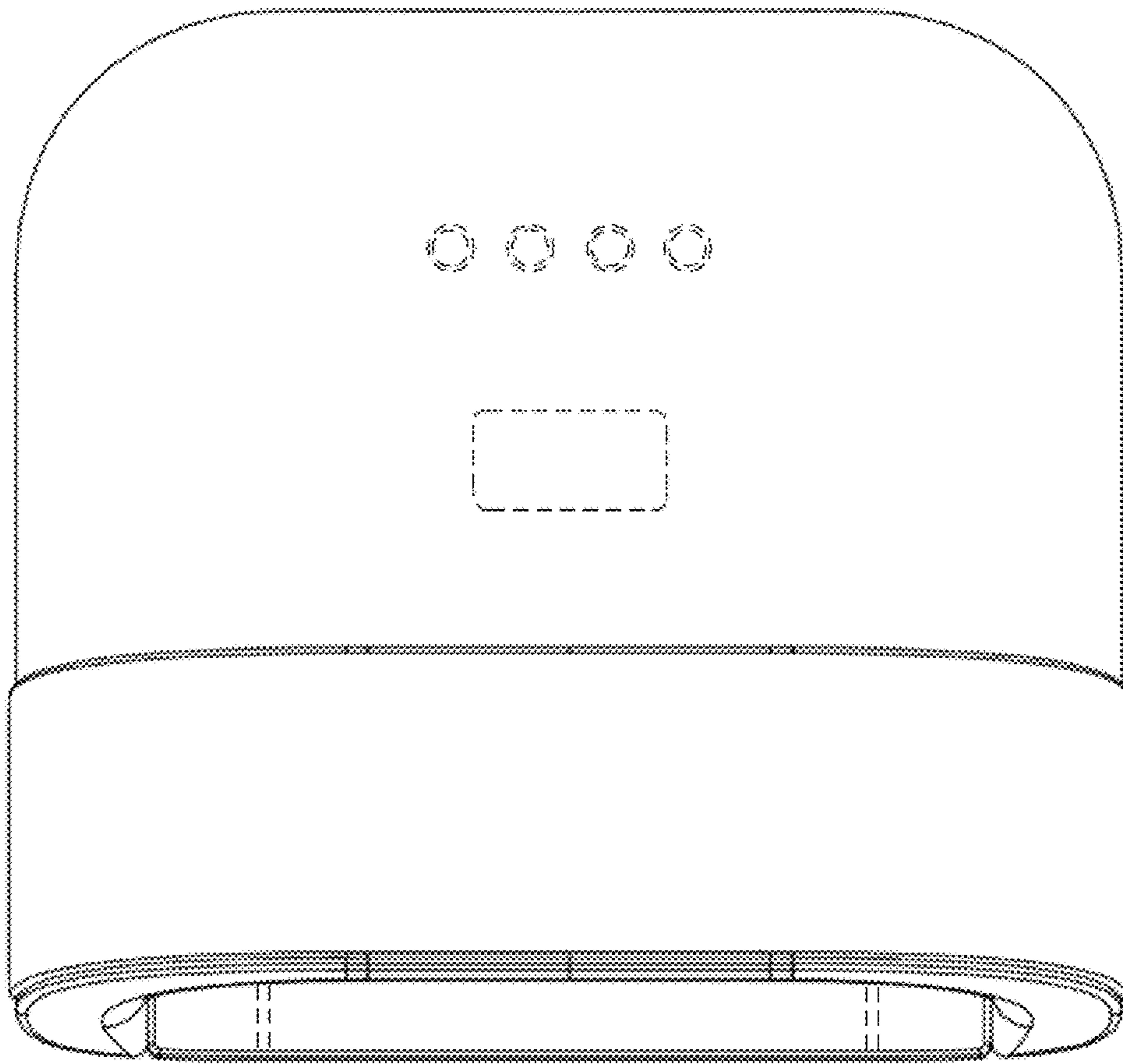


FIG.1

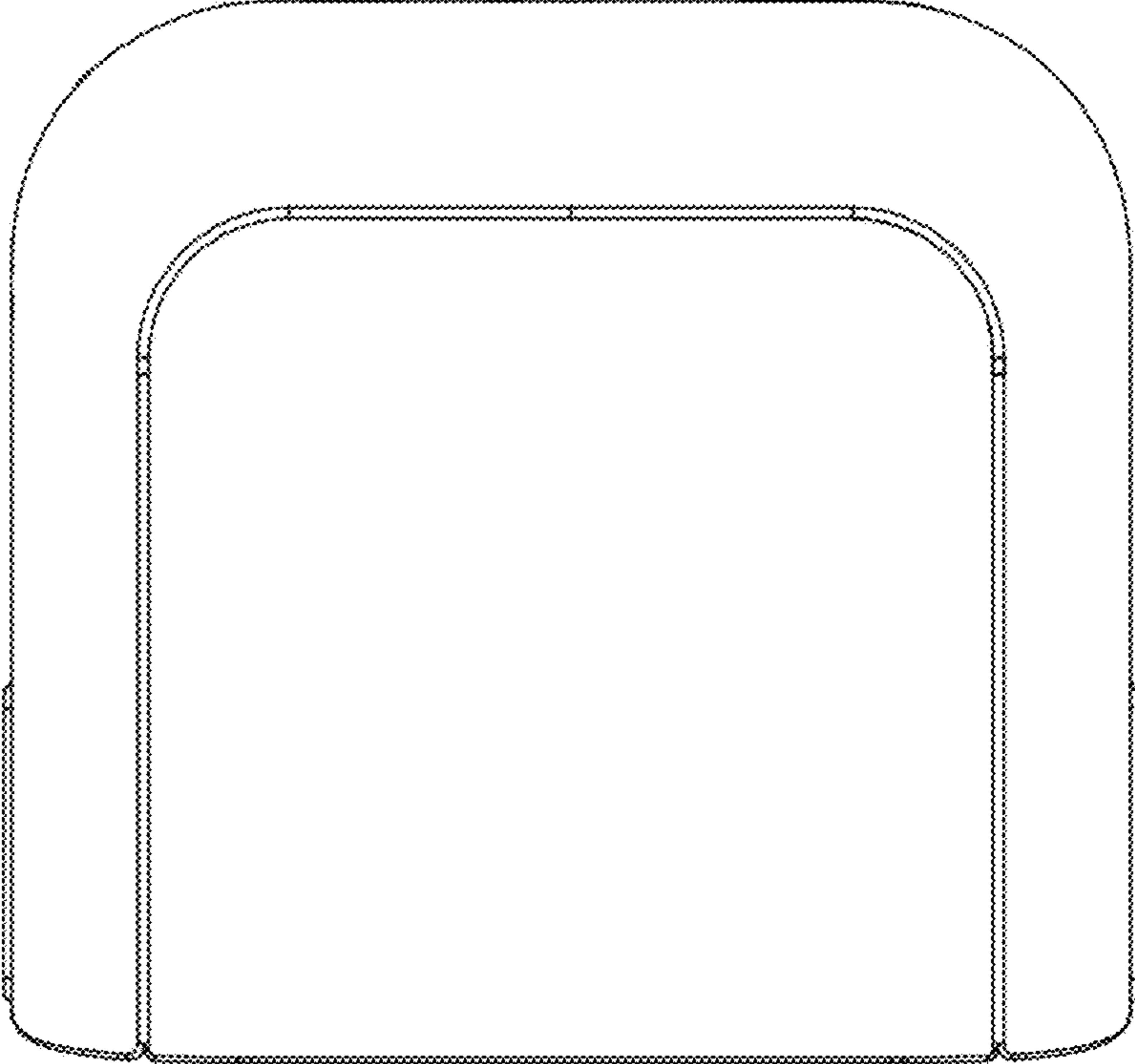


FIG.2

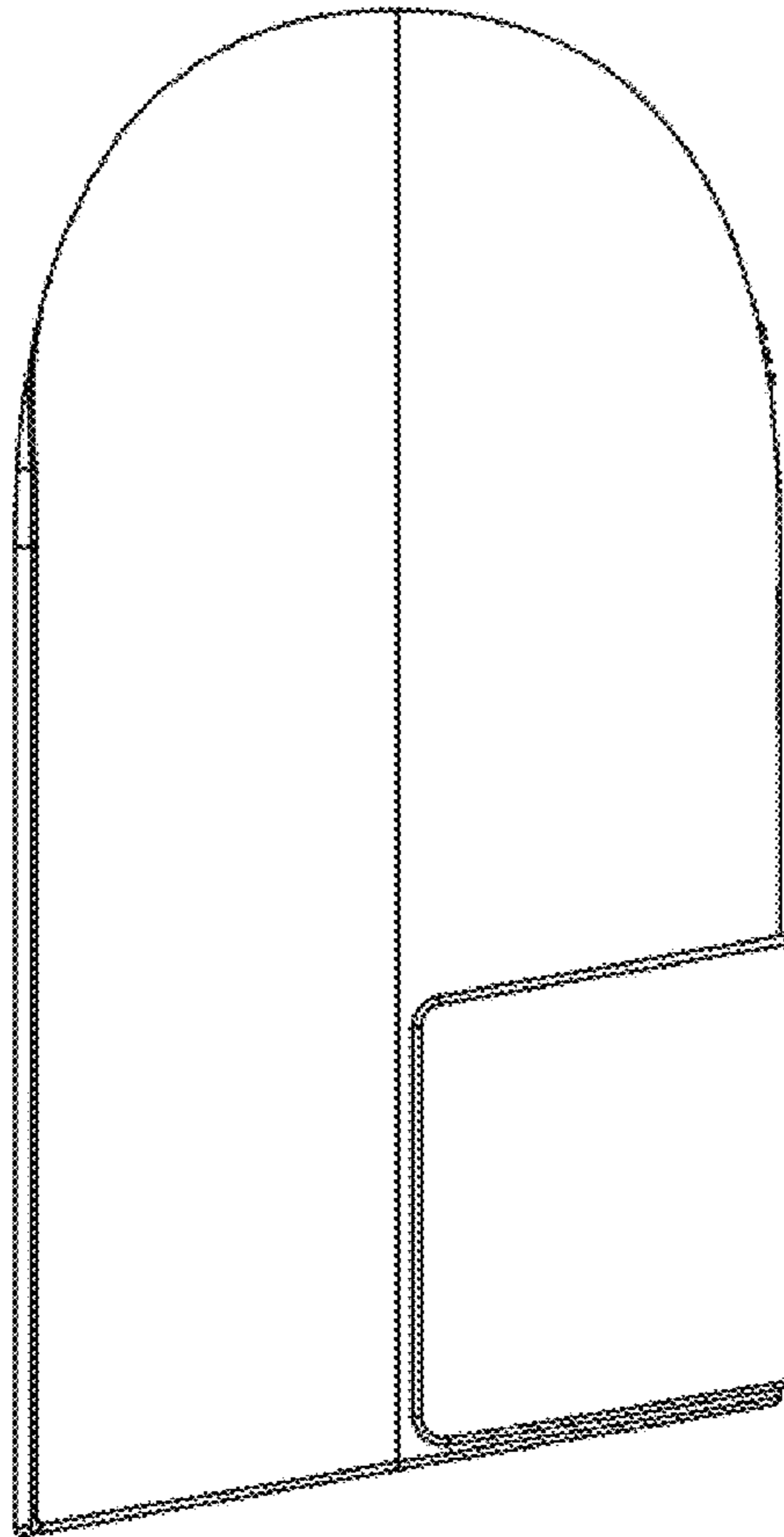


FIG.3

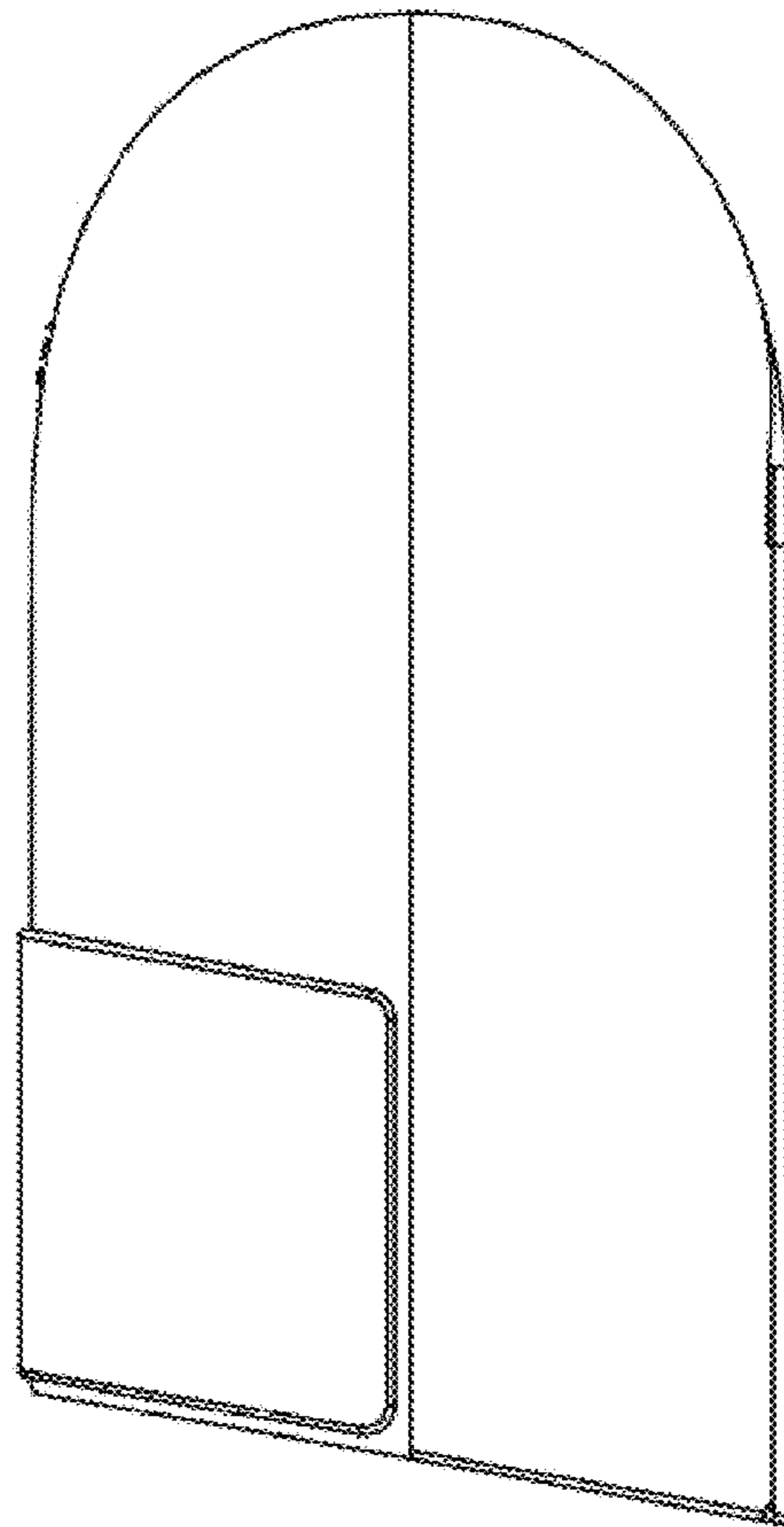


FIG. 4

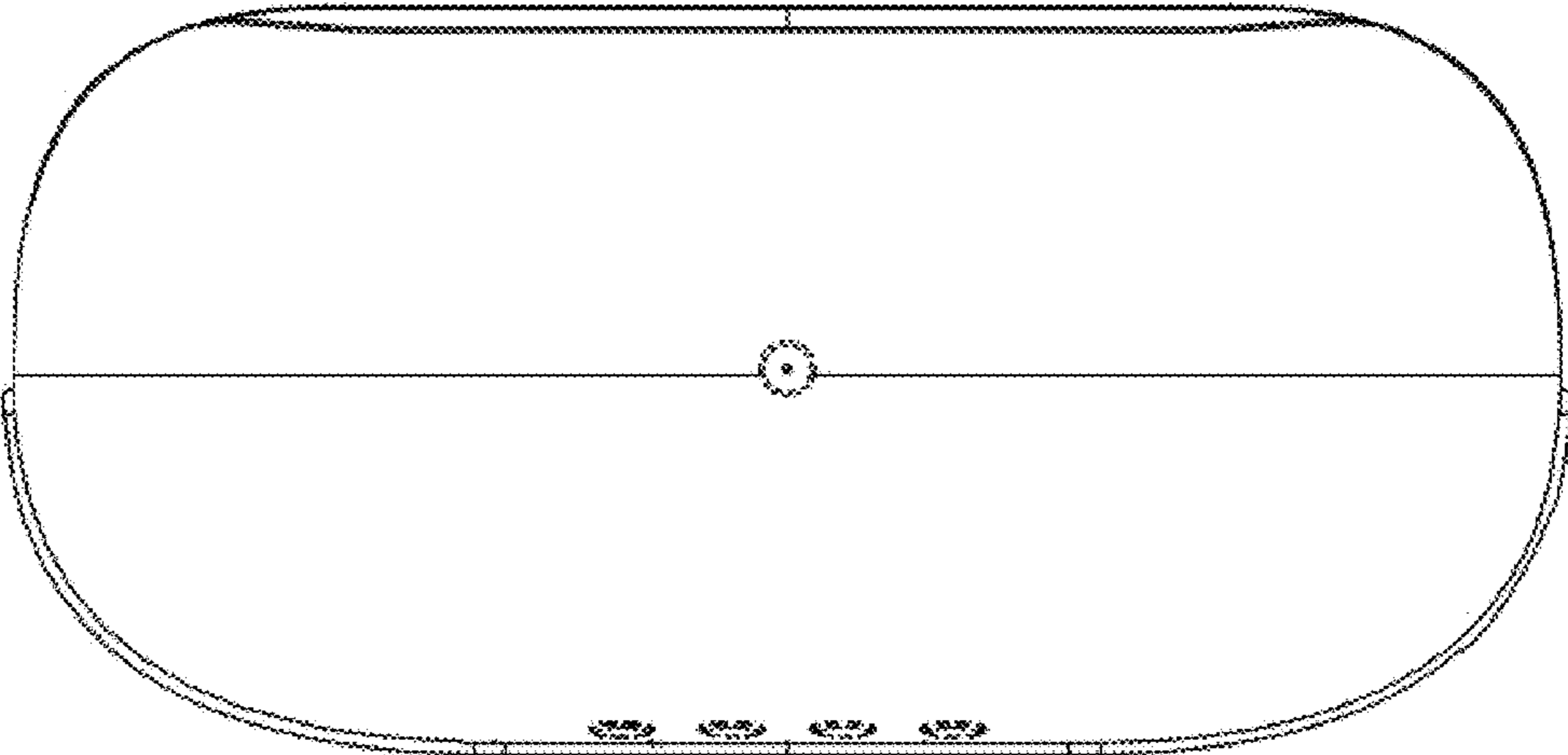


FIG. 5

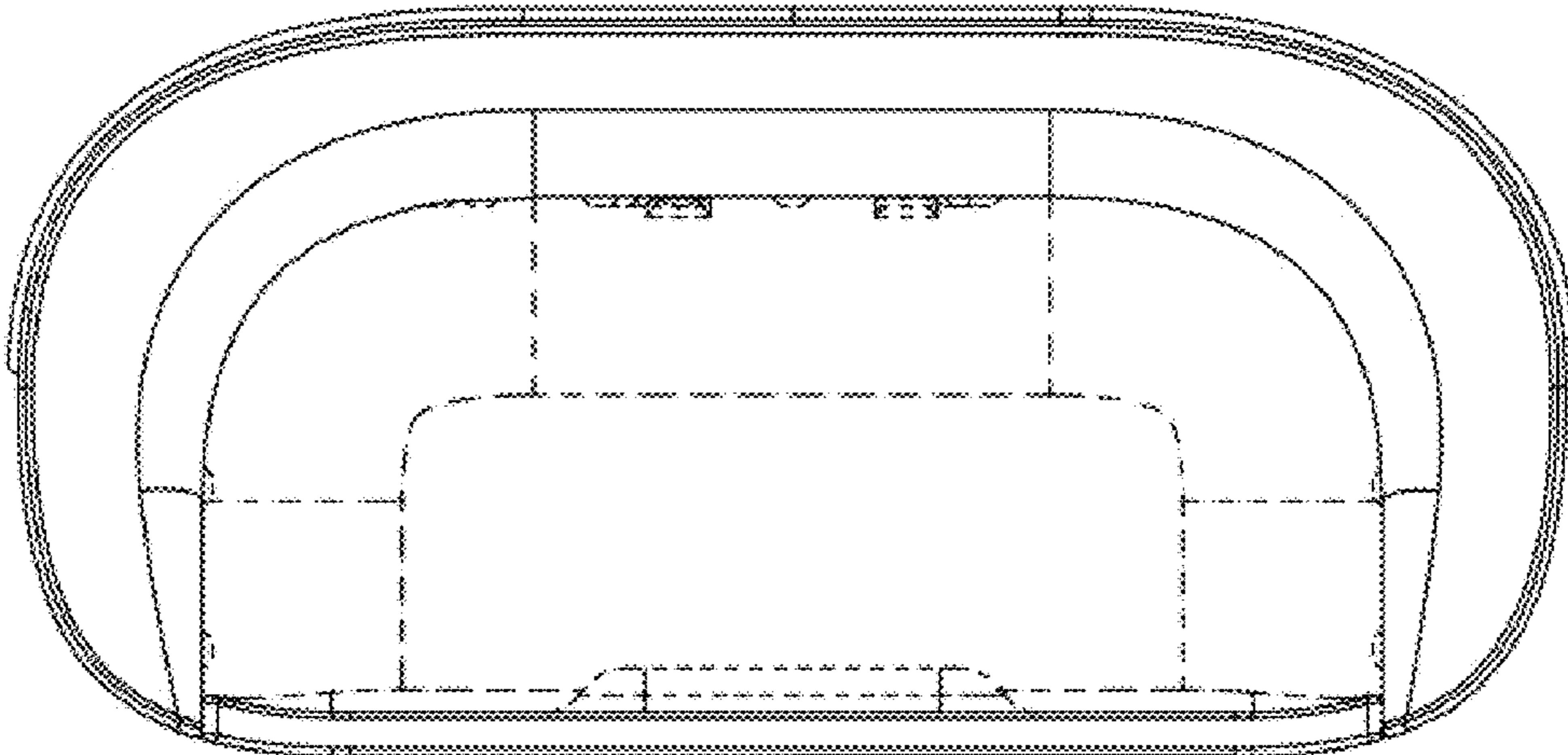


FIG. 6

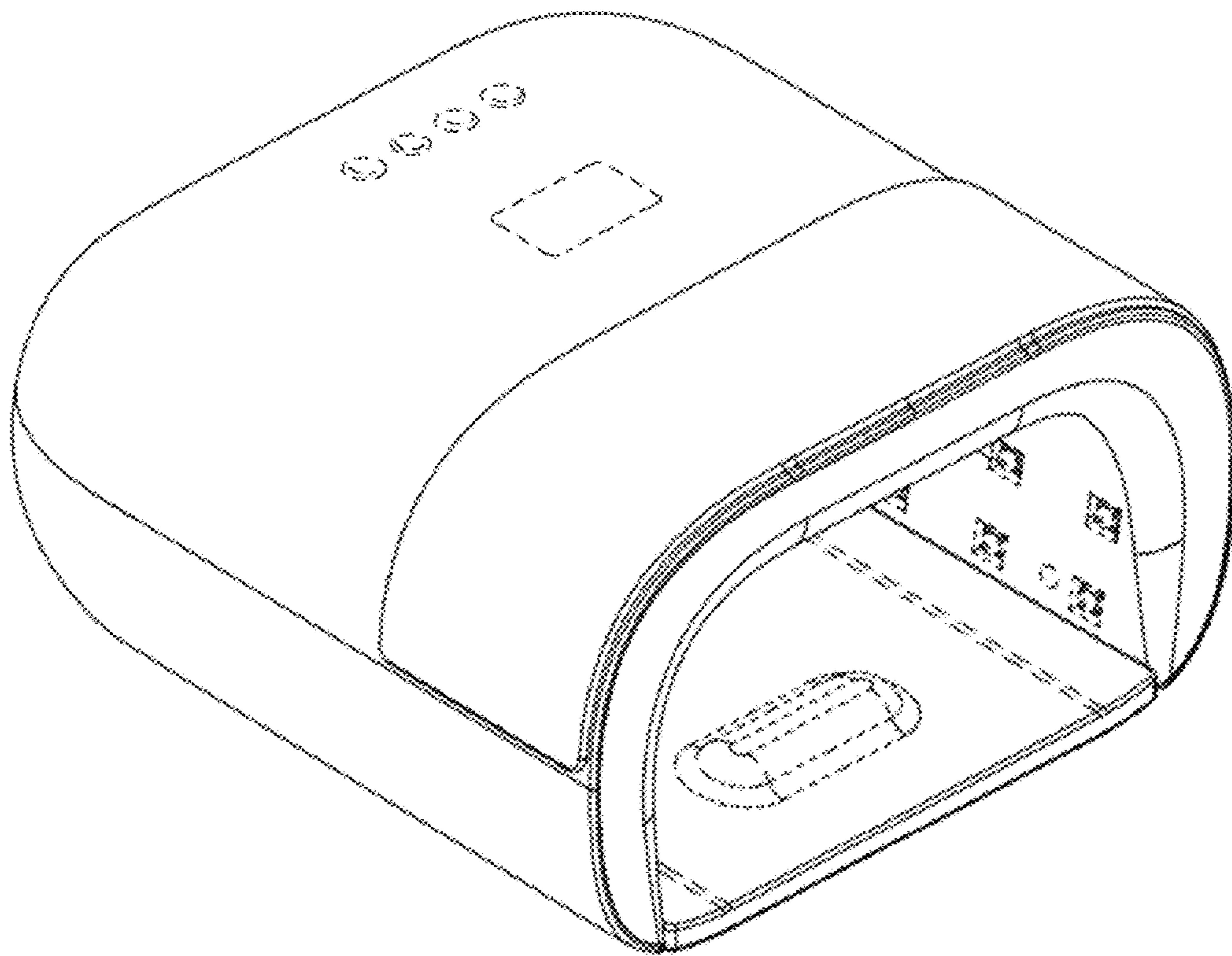


FIG.7