



US00D841882S

(12) **United States Design Patent** (10) **Patent No.:** **US D841,882 S**  
**Park** (45) **Date of Patent:** **\*\* Feb. 26, 2019**

(54) **COMB**  
(71) Applicant: **PARK WAY Co., Ltd.**, Tokyo (JP)  
(72) Inventor: **Young-soo Park**, Tokyo (JP)  
(73) Assignee: **PARK WAY CO., LTD.**, Tokyo (JP)  
(\*\*) Term: **15 Years**

D533,761 S \* 12/2006 Lin ..... D8/107  
D540,028 S \* 4/2007 You ..... D3/16  
D590,691 S \* 4/2009 Calatrava Valls ..... D8/305  
D671,262 S \* 11/2012 Lavoie ..... D28/29  
D679,976 S \* 4/2013 Chiu ..... D8/107  
D694,608 S \* 12/2013 Nelson ..... D8/83  
D703,867 S \* 4/2014 Srivastava ..... D28/29  
D708,502 S \* 7/2014 Lin ..... B25G 1/102  
D8/107  
D735,015 S \* 7/2015 Fritz ..... D8/316

(21) Appl. No.: **29/621,802**  
(22) Filed: **Oct. 11, 2017**

**FOREIGN PATENT DOCUMENTS**

JP 2013154152 A 8/2013  
KR 300687167 S 4/2013

(30) **Foreign Application Priority Data**

\* cited by examiner

Apr. 14, 2017 (JP) ..... 2017-008136

*Primary Examiner* — Susan Bennett Hattan  
*Assistant Examiner* — Rebecca Tsehaye

(51) **LOC (11) Cl.** ..... **28-03**

(74) *Attorney, Agent, or Firm* — Alleman Hall Creasman & Tuttle LLP

(52) **U.S. Cl.**  
USPC ..... **D28/30**

(58) **Field of Classification Search**  
USPC ..... D28/30, 31, 34; D8/107, 98–104, 83,  
D8/300, 301, 303, 305, 313, 315, 316,  
D8/319–321; 30/142, 151; 132/219,  
132/107, 120, 121  
CPC ..... A45D 24/00; A45D 24/02; A45D 24/005;  
A45D 24/002  
See application file for complete search history.

(57) **CLAIM**

The ornamental design for a comb, as shown and described.

**DESCRIPTION**

FIG. 1 is a reference top perspective view of a comb showing my new design;  
FIG. 2 is a front elevational view of the comb of FIG. 1.  
FIG. 3 is a top view of the comb of FIG. 1.  
FIG. 4 is a bottom view of the comb of FIG. 1.  
FIG. 5 is a left side elevational view of the comb of FIG. 1; and,  
FIG. 6 is a right side elevational view of the comb of FIG. 1.

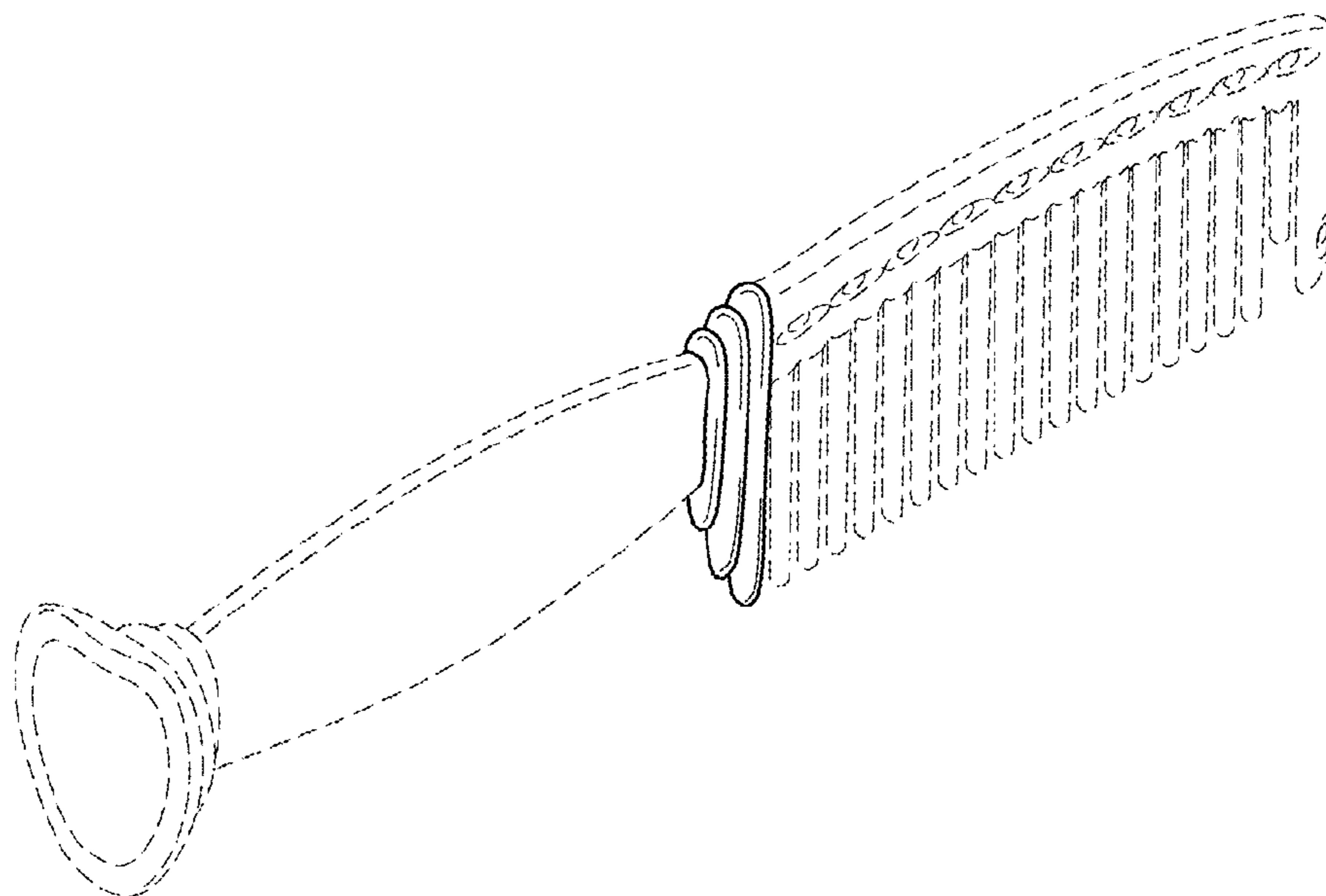
The dashed lines in the drawings depict portions of the comb that form no part of the claimed design.

(56) **References Cited**

**U.S. PATENT DOCUMENTS**

4,605,020 A \* 8/1986 Lavoie ..... A45D 24/36  
132/150  
D445,016 S \* 7/2001 Dewald ..... D8/307  
D459,645 S \* 7/2002 Rothfus ..... D8/303  
D471,702 S \* 3/2003 You ..... D3/12

**1 Claim, 3 Drawing Sheets**



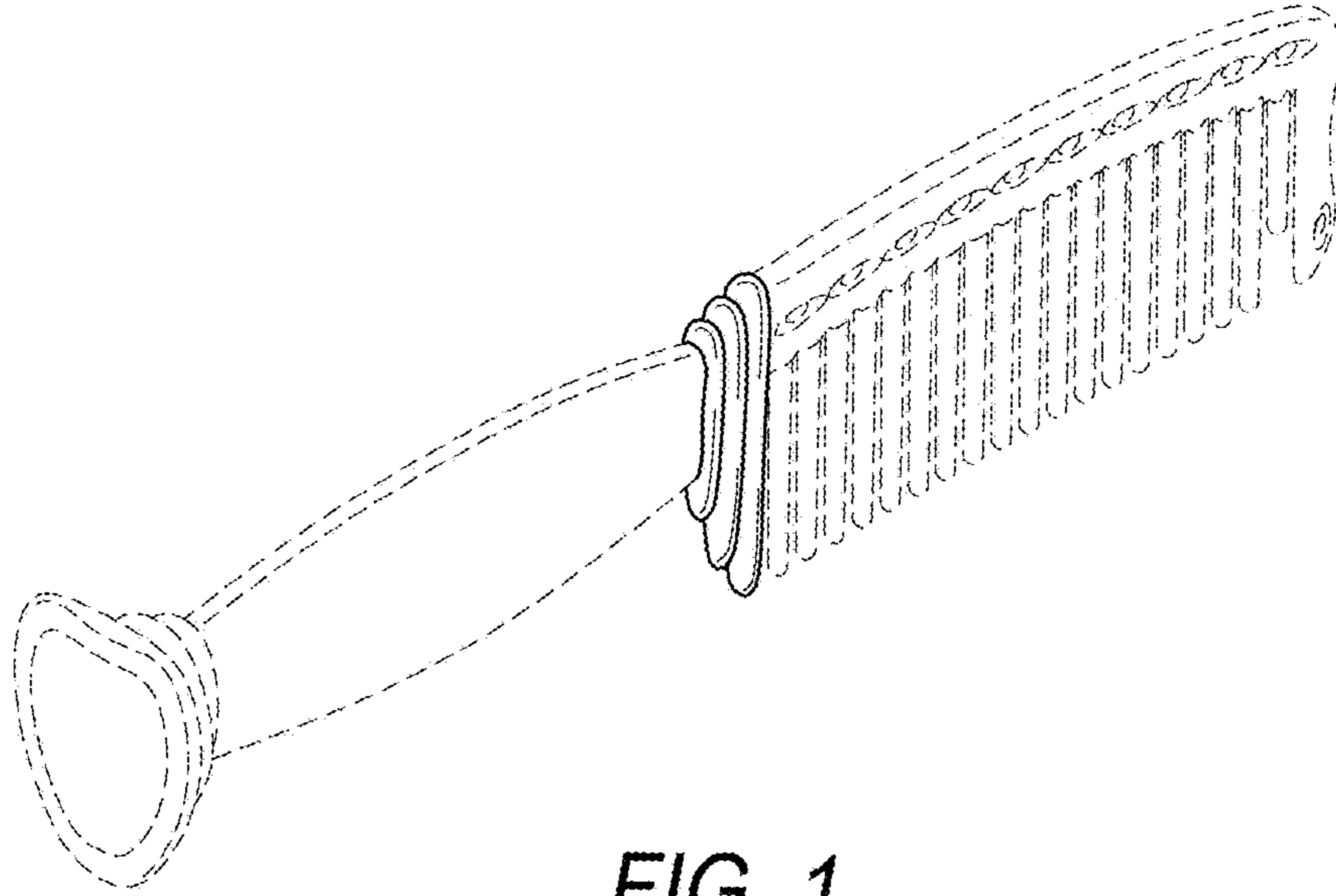


FIG. 1

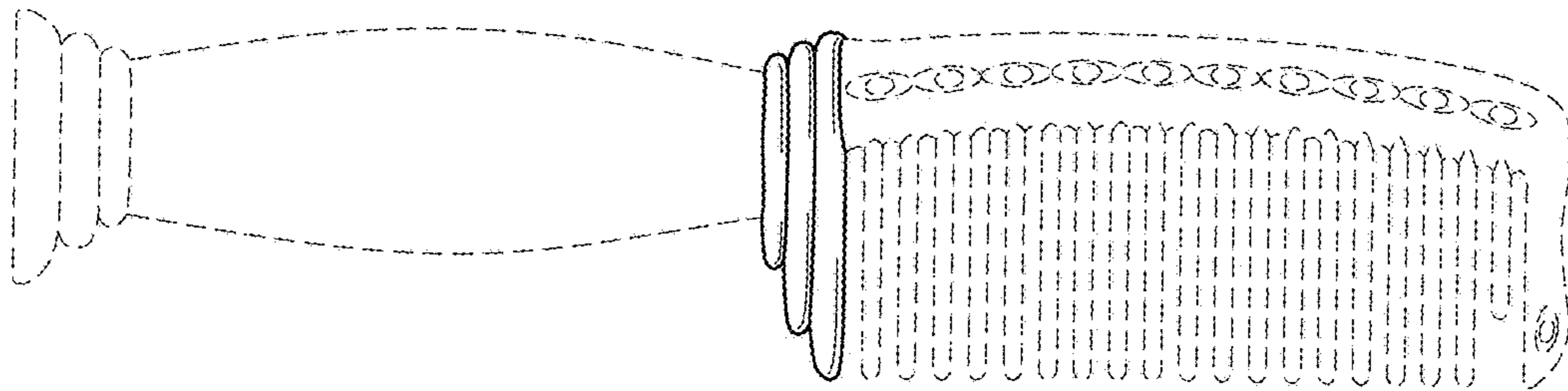


FIG. 2

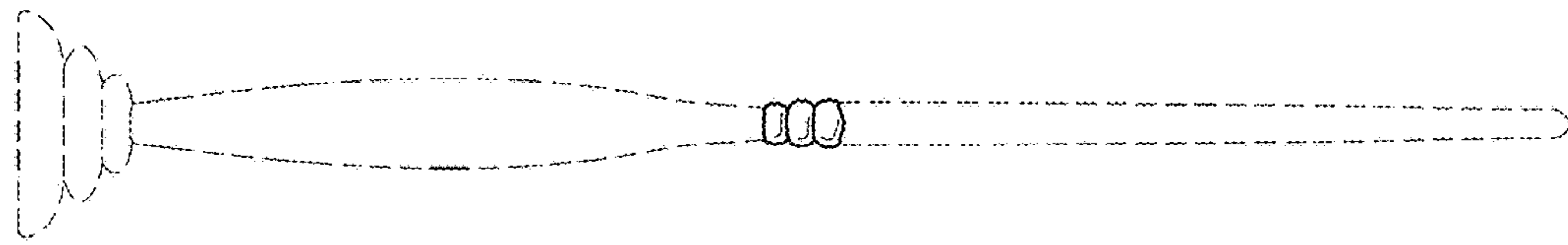


FIG. 3

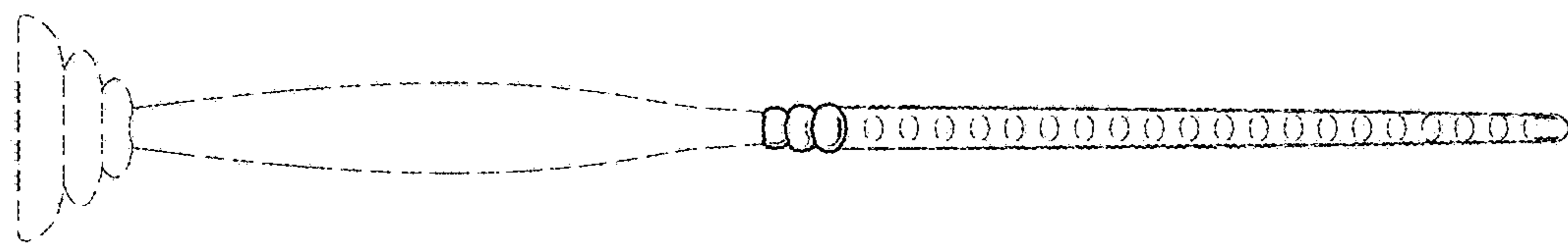
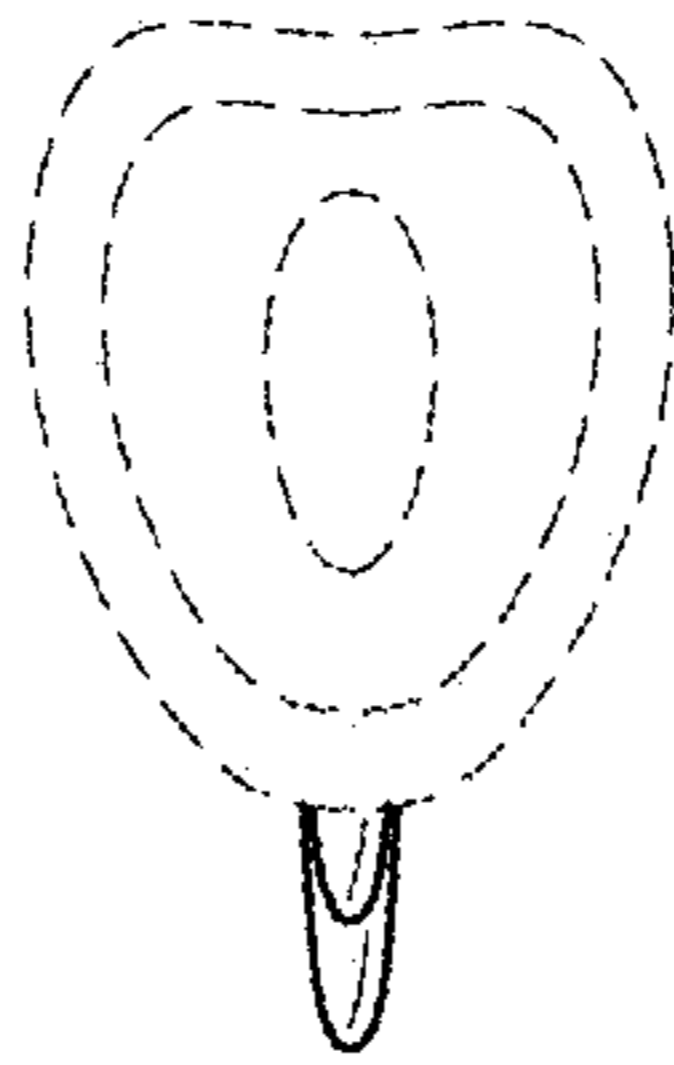
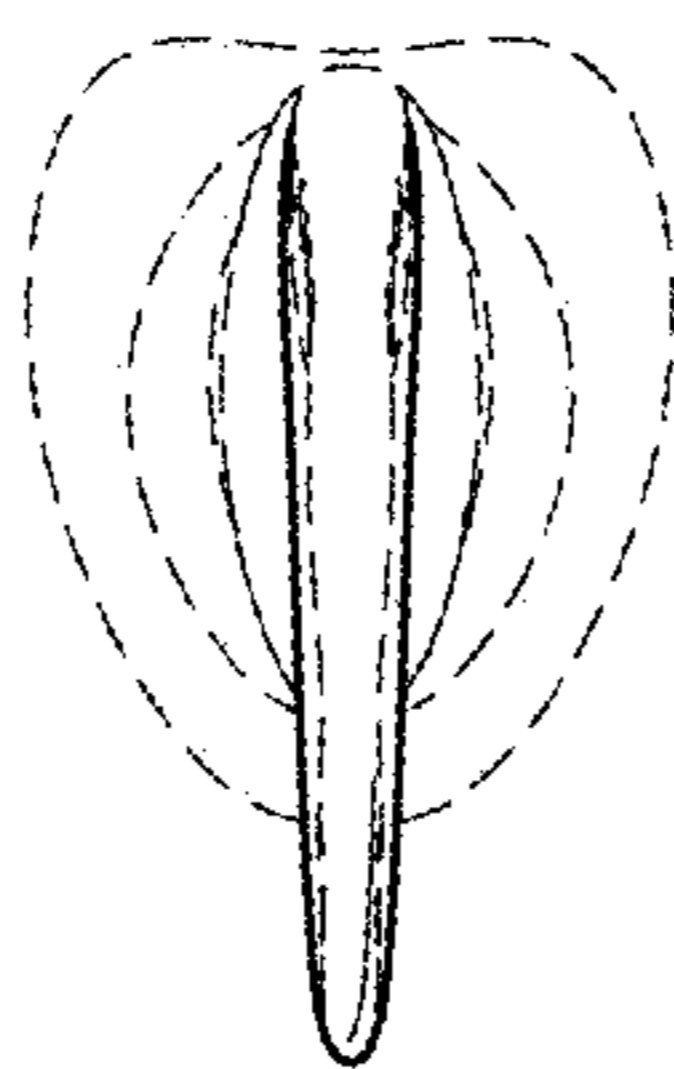


FIG. 4



*FIG. 5*



*FIG. 6*