



US00D841881S

(12) **United States Design Patent** (10) **Patent No.:** **US D841,881 S**
Lee (45) **Date of Patent:** **** Feb. 26, 2019**

(54) **HAIR DRYER**

(56) **References Cited**

(71) Applicant: **KONINKLIJKE PHILIPS N.V.**,
Eindhoven (NL)

U.S. PATENT DOCUMENTS

(72) Inventor: **Hyelin Lee**, Amsterdam (NL)

D544,998 S * 6/2007 Petruccelli D28/13
D651,342 S * 12/2011 Kim D28/13
D773,118 S * 11/2016 Soresina D28/13
D775,764 S * 1/2017 Prat-Pfister D28/13
D788,365 S * 5/2017 Lamballais D28/13

(73) Assignee: **KONINKLIJKE PHILIPS N.V.**,
Eindhoven (NL)

* cited by examiner

(**) Term: **15 Years**

Primary Examiner — Zenia I Bennett

(21) Appl. No.: **35/502,414**

(57) **CLAIM**

(22) Filed: **Aug. 8, 2016**

The ornamental design for a hair dryer, as shown and described.

(80) **Hague Agreement Data**

DESCRIPTION

Int. Filing Date: **Aug. 8, 2016**

1. Hair dryer

Int. Reg. No.: **DM/092067**

1.1 is a perspective view showing the hair dryer of my design;

Int. Reg. Date: **Aug. 8, 2016**

1.2 is a front elevational view thereof;

Int. Reg. Pub. Date: **Feb. 10, 2017**

1.3 is a rear elevational view thereof;

(30) **Foreign Application Priority Data**

Mar. 23, 2016 (EM) 003038736-0001

1.4 is a right side elevational view thereof;

(51) **LOC (11) Cl.** **28-03**

1.5 is a left side elevational view thereof;

(52) **U.S. Cl.**
USPC **D28/13**

1.6 is a top plan view thereof;

(58) **Field of Classification Search**
USPC D28/12-19
CPC A45D 20/00; A45D 20/48; A45D 20/50;
A45D 20/52; A45D 20/525

1.7 is a bottom view thereof;

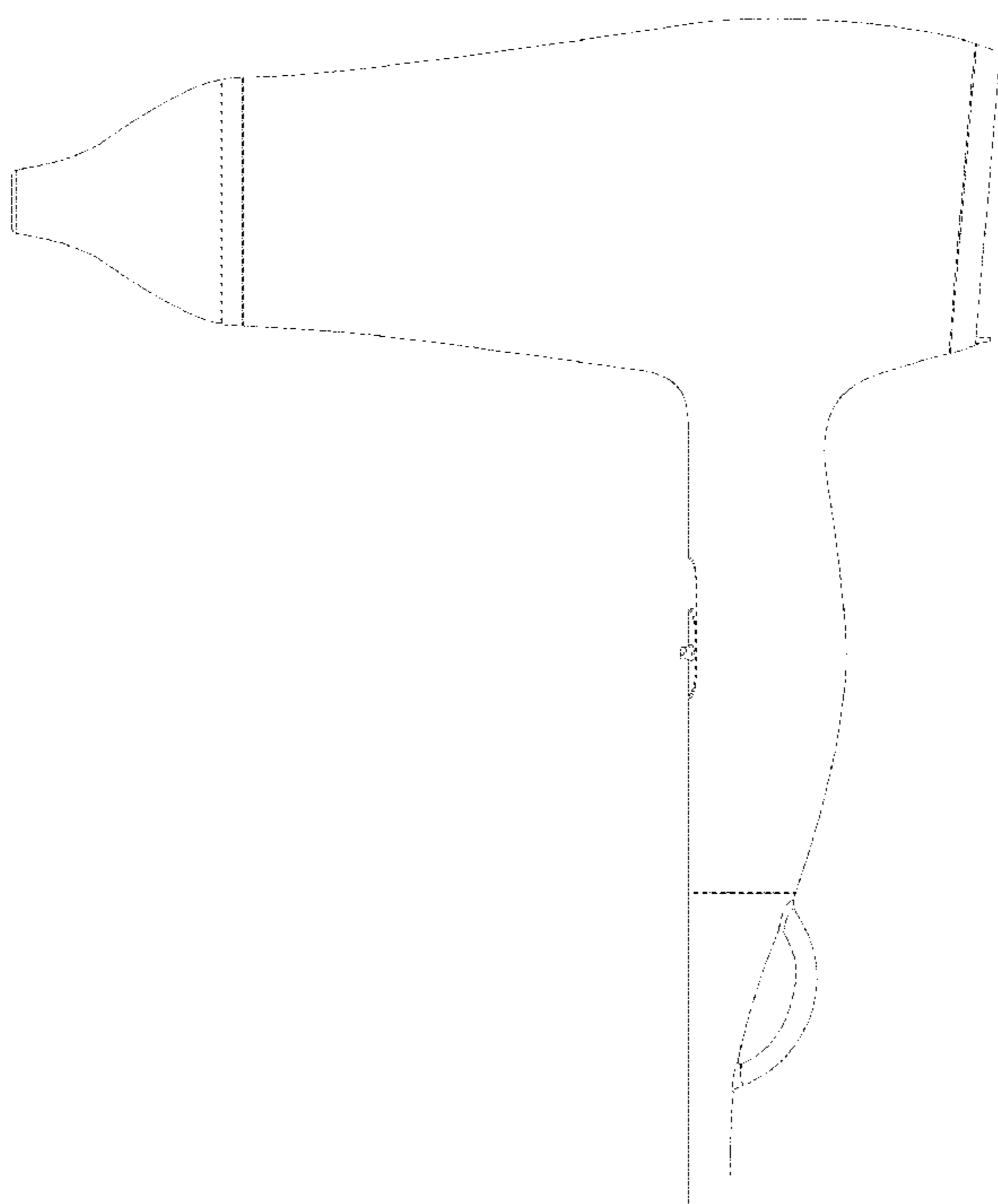
See application file for complete search history.

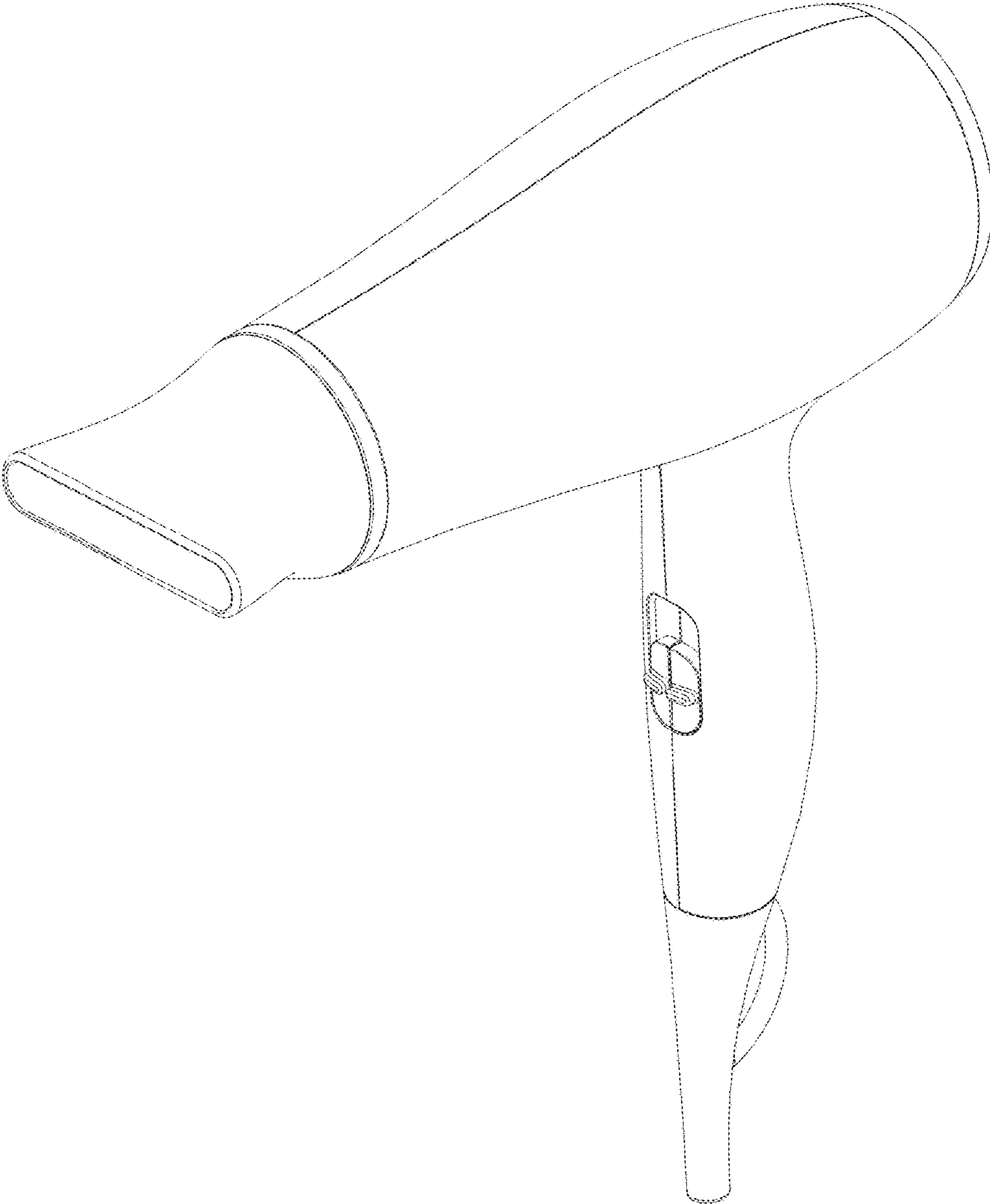
1.8 is a bottom view thereof as 1.7 showing a portion of the hair dryer encircled; and

1.9 is an enlargement of the encircled portion of the hair dryer of 1.8.

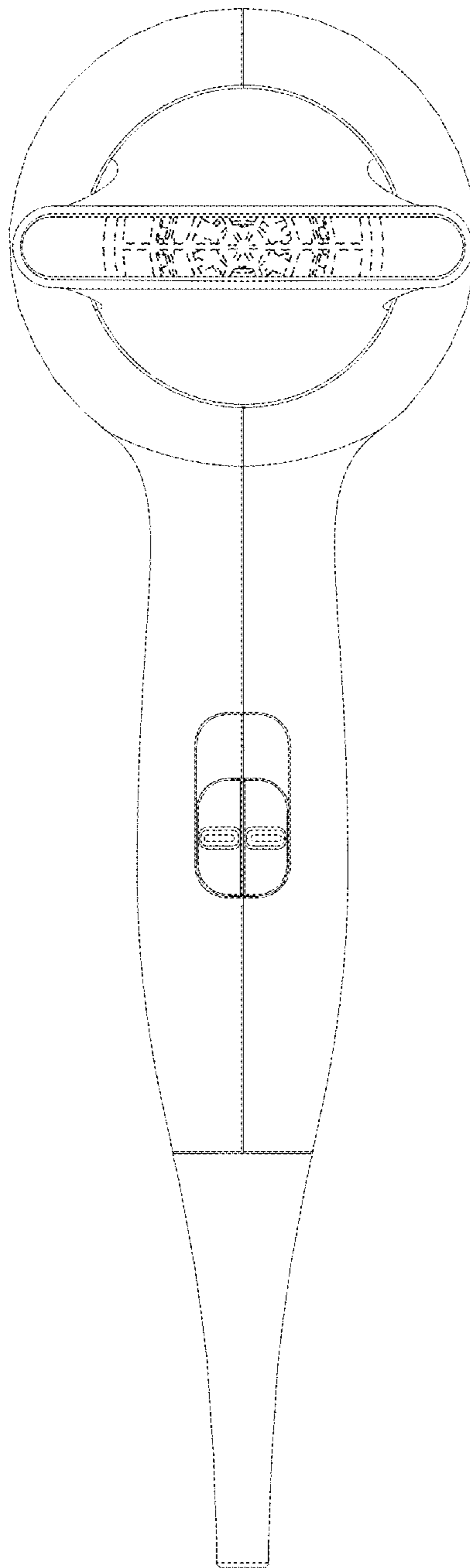
The broken lines are depicting internal elements of the hair dryer are for environmental purposes only and form no part of the claimed design.

1 Claim, 9 Drawing Sheets

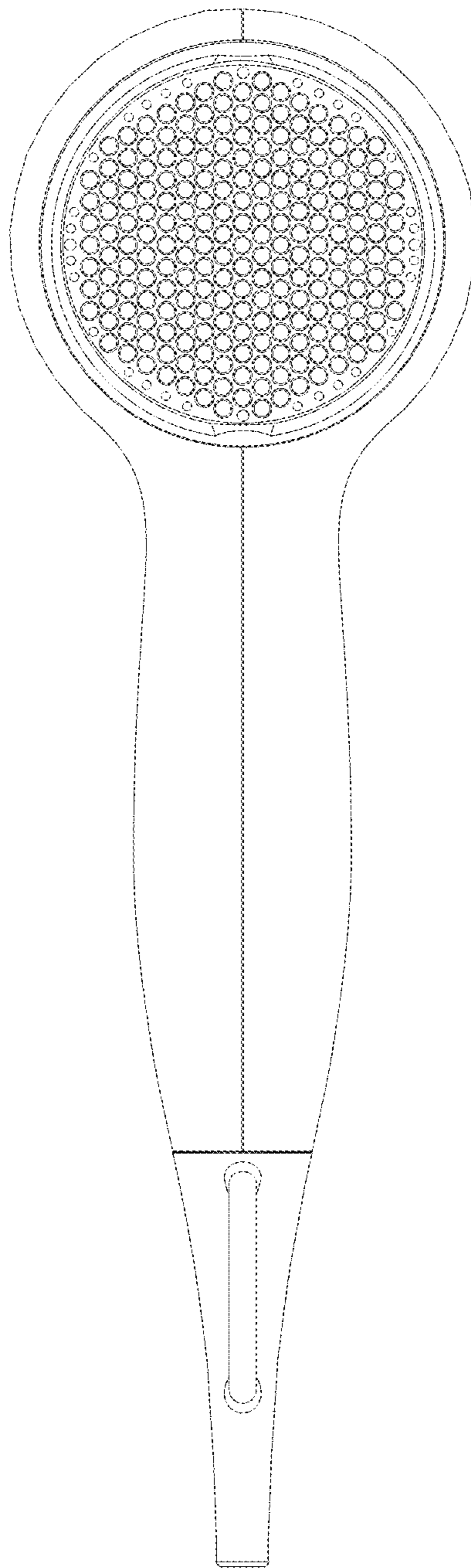




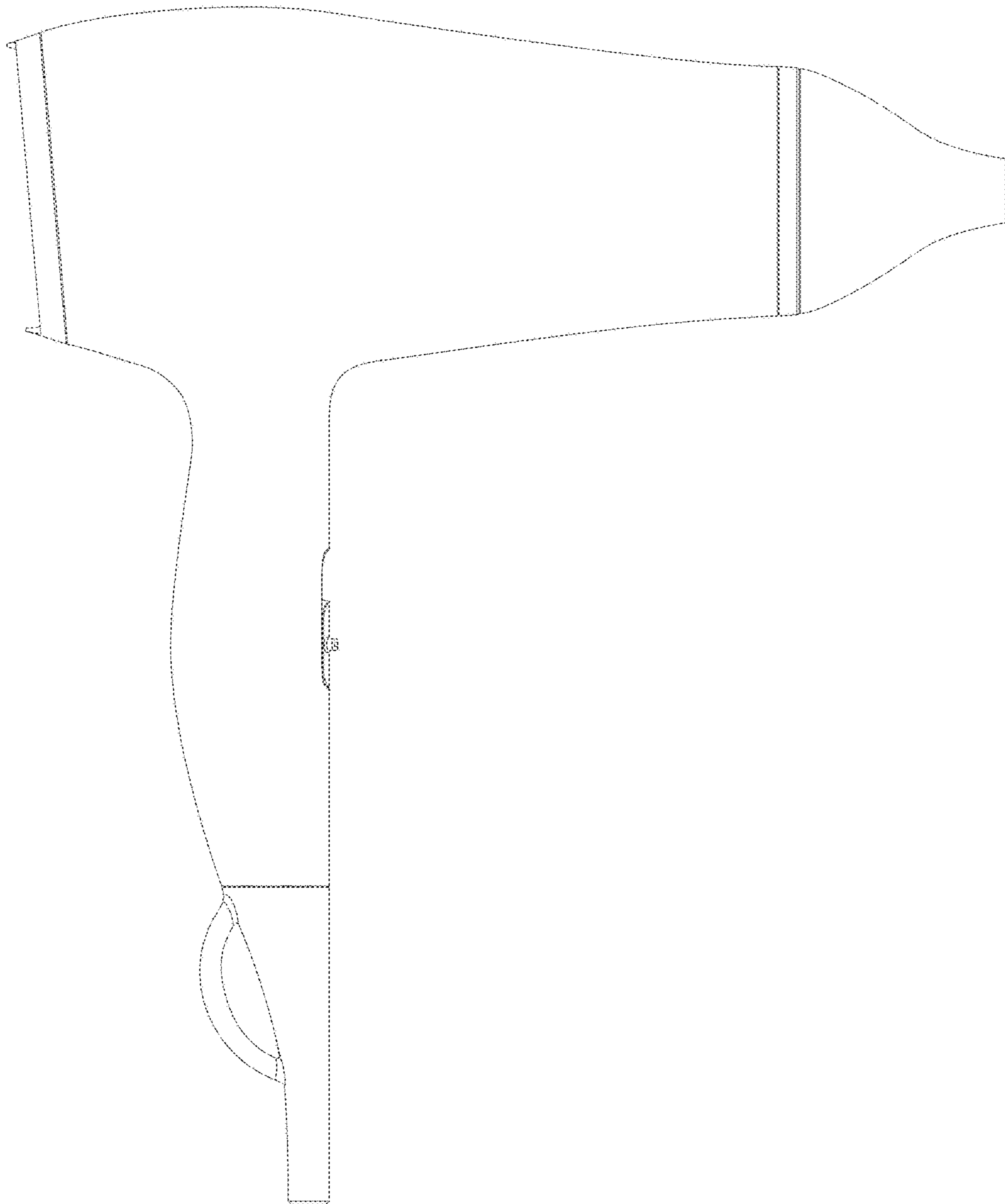
1.1



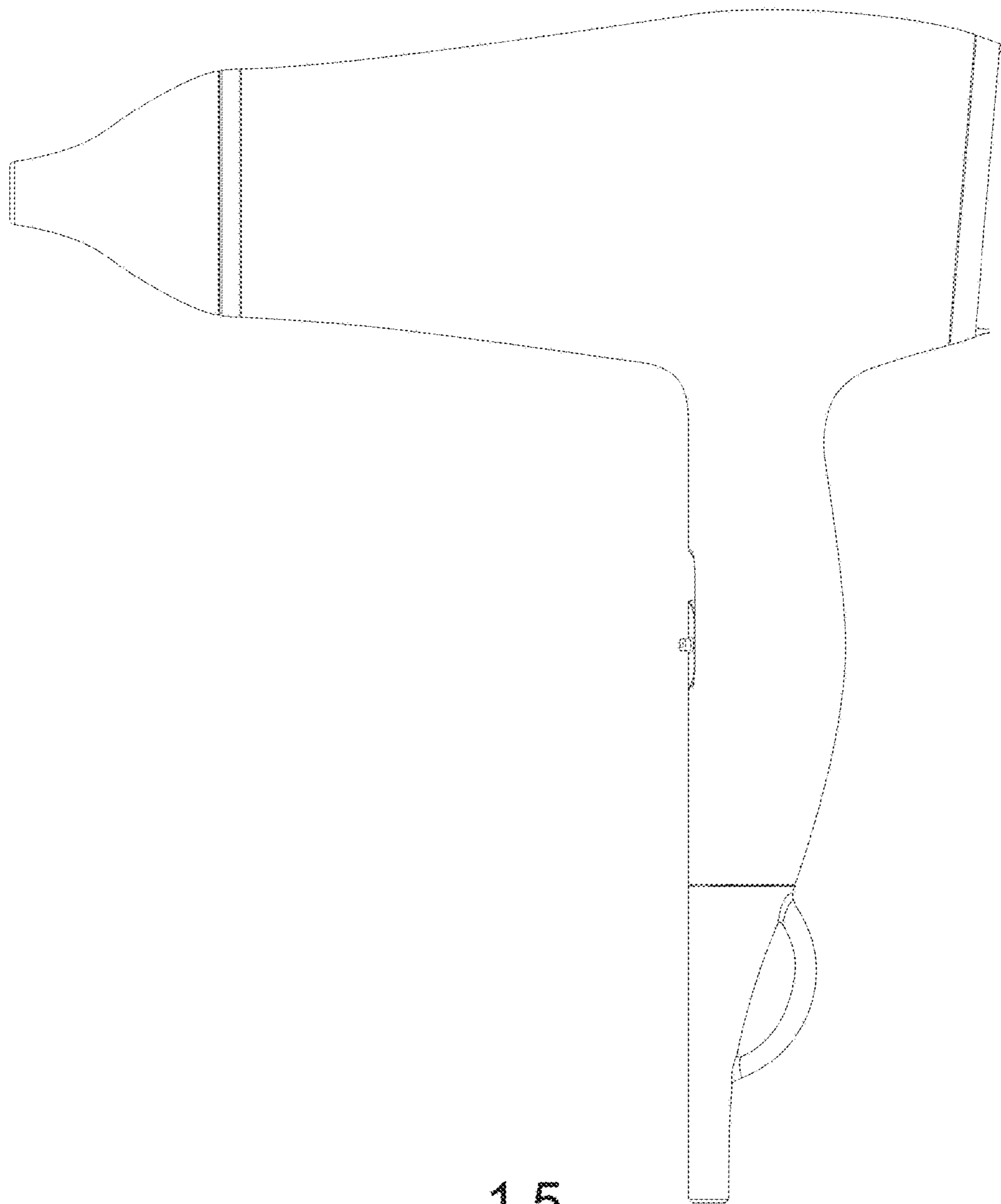
1.2



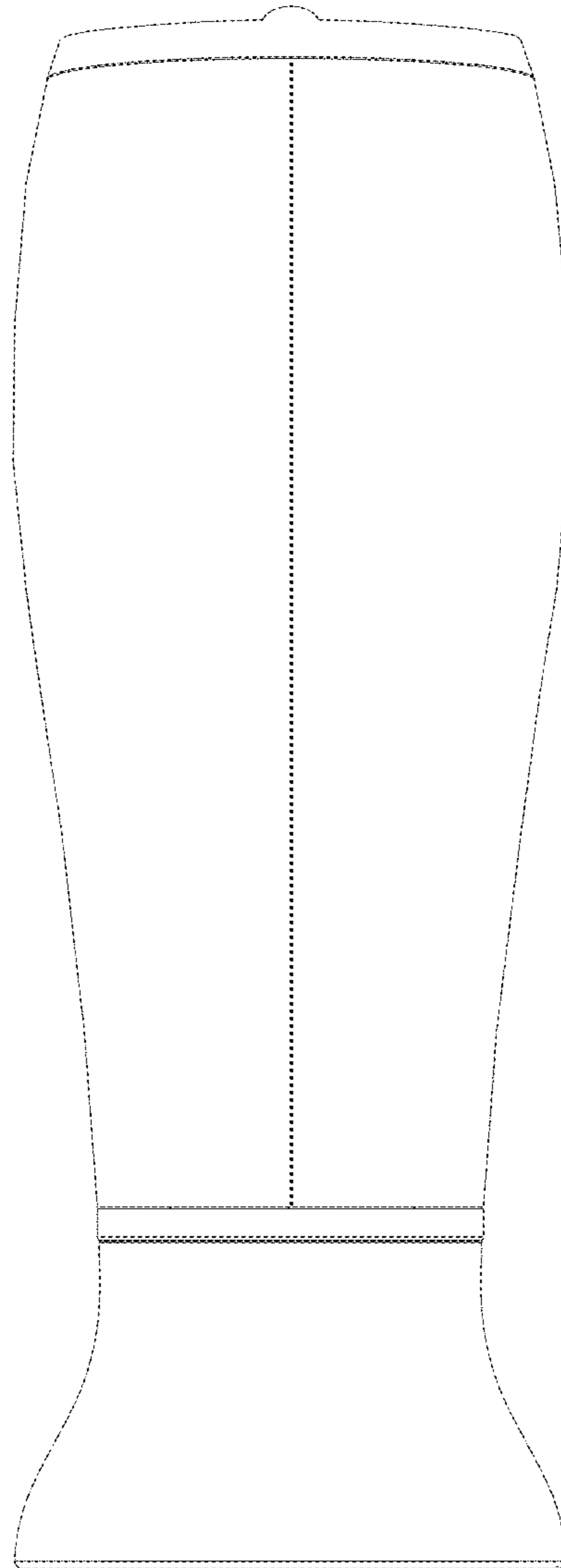
1.3



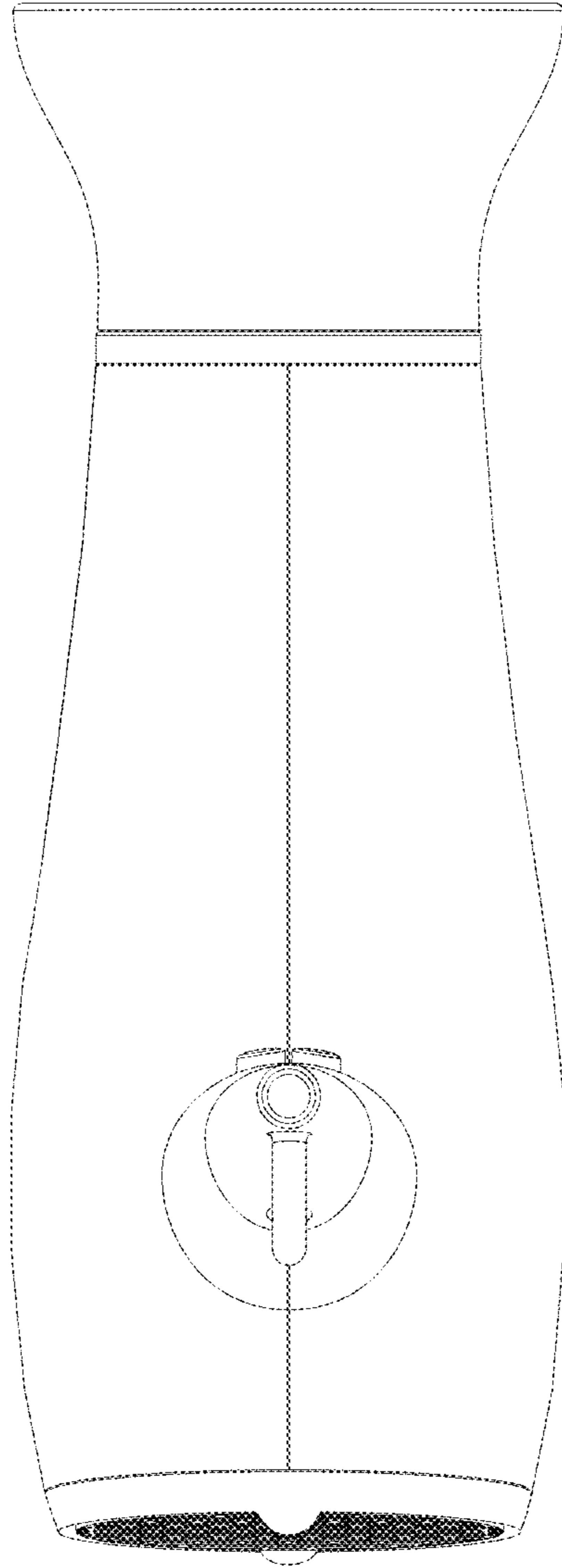
1.4



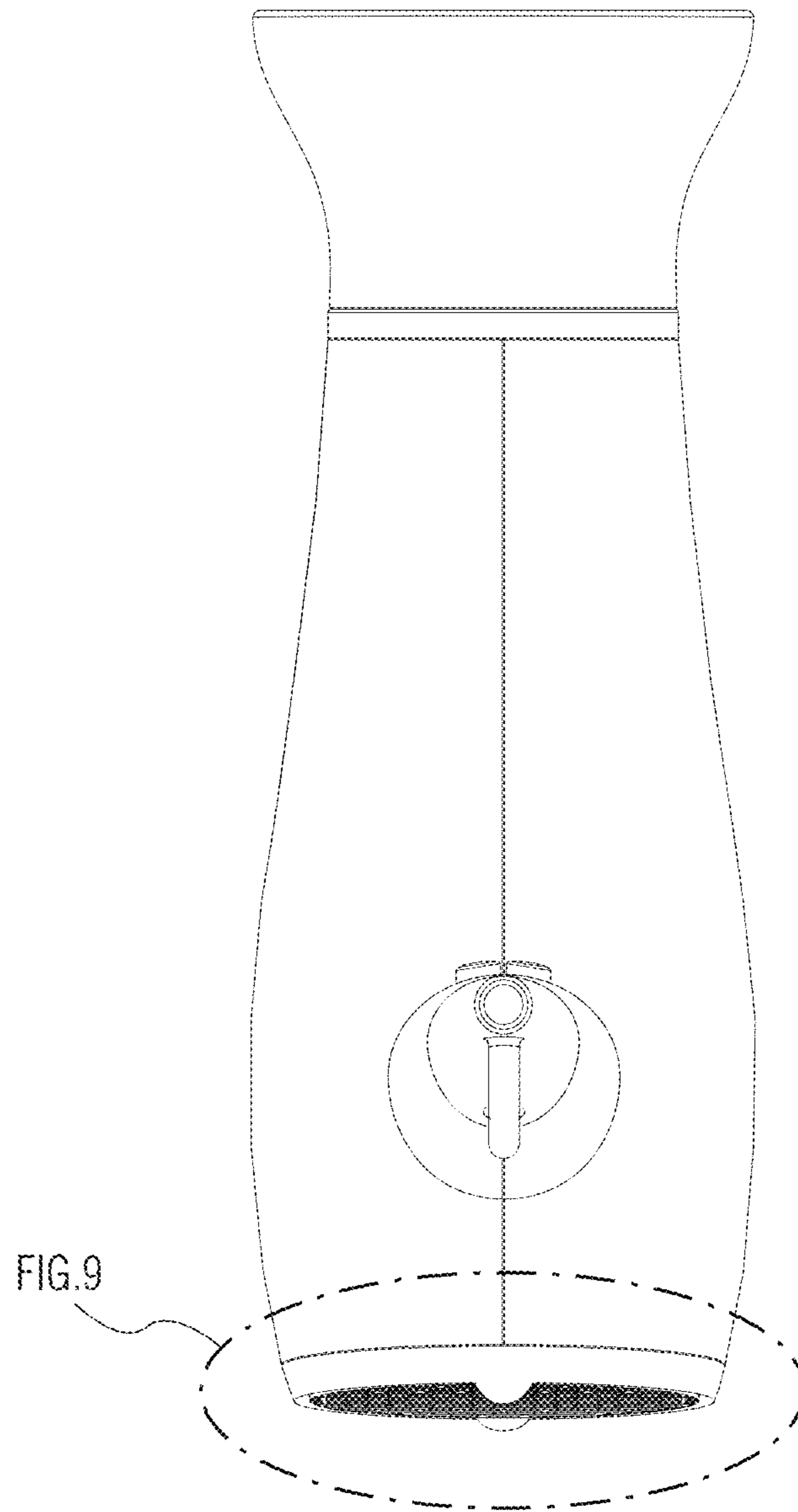
1.5



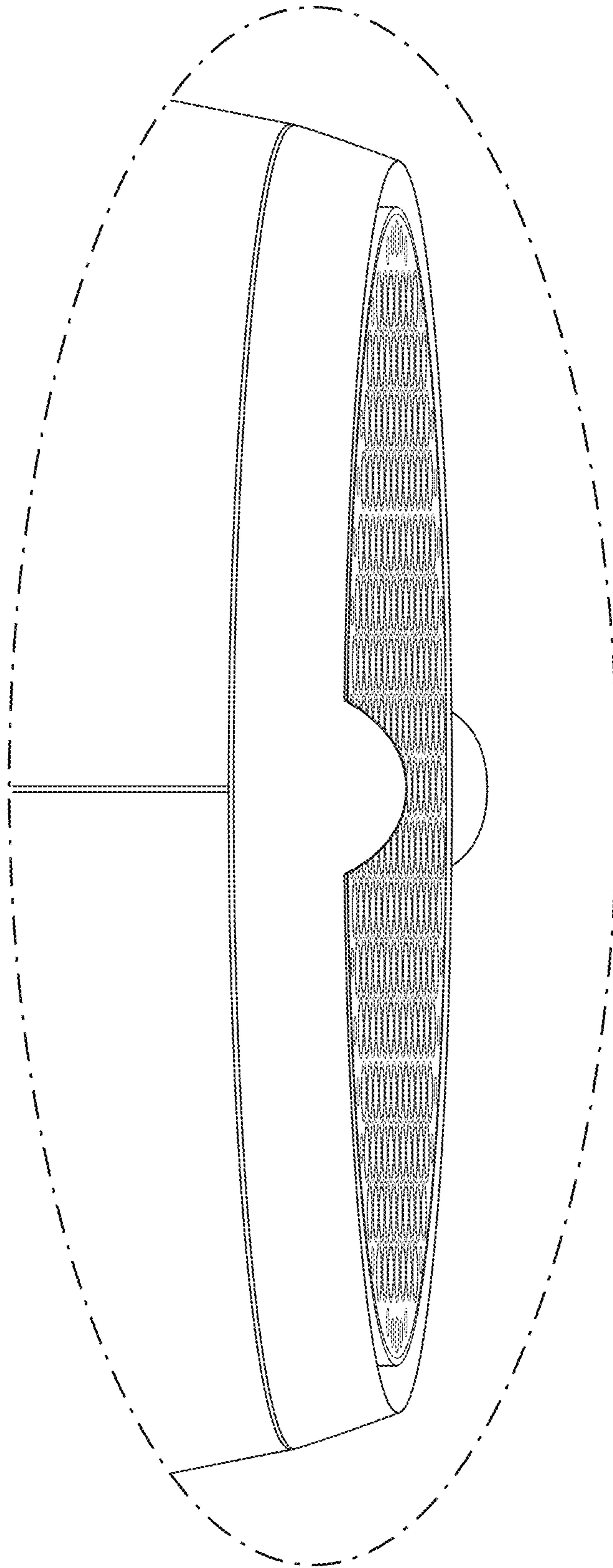
1.6



1.7



1.8



1.9