



US00D841880S

(12) **United States Design Patent**  
**Jing et al.**

(10) **Patent No.:** **US D841,880 S**  
(45) **Date of Patent:** **\*\* Feb. 26, 2019**

(54) **MULTIFUNCTION FOLDABLE EYEBROW STENCIL MAKEUP APPARATUS**

(71) Applicants: **Jing Jing**, Guangdong (CN); **Nian Liu**, Guangdong (CN)

(72) Inventors: **Jing Jing**, Guangdong (CN); **Nian Liu**, Guangdong (CN)

(\*\*) Term: **15 Years**

(21) Appl. No.: **29/610,831**

(22) Filed: **Jul. 17, 2017**

(30) **Foreign Application Priority Data**

Jan. 19, 2017 (CN) ..... 2017 3 0021237

(51) **LOC (11) Cl.** ..... **28-03**

(52) **U.S. Cl.**  
USPC ..... **D28/7**

(58) **Field of Classification Search**  
USPC ..... D28/7, 8; D24/168, 187, 189, 190; D30/161; D19/164-166

CPC . A61K 8/99; A61K 8/042; A61K 8/34; A61K 8/245; A61K 8/19

See application file for complete search history.

(56) **References Cited**

**U.S. PATENT DOCUMENTS**

- 2,628,626 A \* 2/1953 Teillaud ..... A45D 40/30  
132/216
- 2,998,821 A \* 9/1961 Hurdell ..... A45D 40/30  
132/218
- 3,718,145 A \* 2/1973 Chateau ..... A45D 40/30  
132/216
- D291,607 S \* 8/1987 Flores ..... D28/7
- 4,858,631 A \* 8/1989 Chuang ..... A45D 40/26  
132/216
- 5,186,190 A \* 2/1993 Hirzel ..... A45D 40/30  
132/216

- 5,662,129 A \* 9/1997 Grenevitch ..... A45D 40/30  
132/216
- 7,219,674 B1 \* 5/2007 Shelley ..... A45D 40/30  
132/216
- D601,749 S \* 10/2009 Ross ..... D28/7
- D613,455 S \* 4/2010 Plain ..... D28/10
- 2007/0276451 A1 \* 11/2007 Rigaux ..... A61N 1/0452  
607/48
- 2009/0044820 A1 \* 2/2009 Soare ..... A45D 40/30  
132/200
- 2017/0095061 A1 \* 4/2017 Milazzo ..... A45D 40/30

**OTHER PUBLICATIONS**

Magiccute Adjustable Eyebrow Stencil found online [May 25, 2018]—[https://www.amazon.com/Eyebrow-Professional-Adjustable-Grooming-Template/dp/B077STRT4Z/ref=pd\\_sim\\_194\\_3?\\_encoding=UTF8&pd\\_rd\\_i=B077STRT4Z&pd\\_rd\\_r=FKKCR2GNPNEZ94NS0FDJ&pd\\_rd\\_w=SQJFc&pd\\_rd\\_wg=Hm4O6&refRID=FKKCR2GNPNEZ94NS0FDJ&th=1](https://www.amazon.com/Eyebrow-Professional-Adjustable-Grooming-Template/dp/B077STRT4Z/ref=pd_sim_194_3?_encoding=UTF8&pd_rd_i=B077STRT4Z&pd_rd_r=FKKCR2GNPNEZ94NS0FDJ&pd_rd_w=SQJFc&pd_rd_wg=Hm4O6&refRID=FKKCR2GNPNEZ94NS0FDJ&th=1).\*

\* cited by examiner

*Primary Examiner* — Lakiya G Rogers  
*Assistant Examiner* — John A Voytek

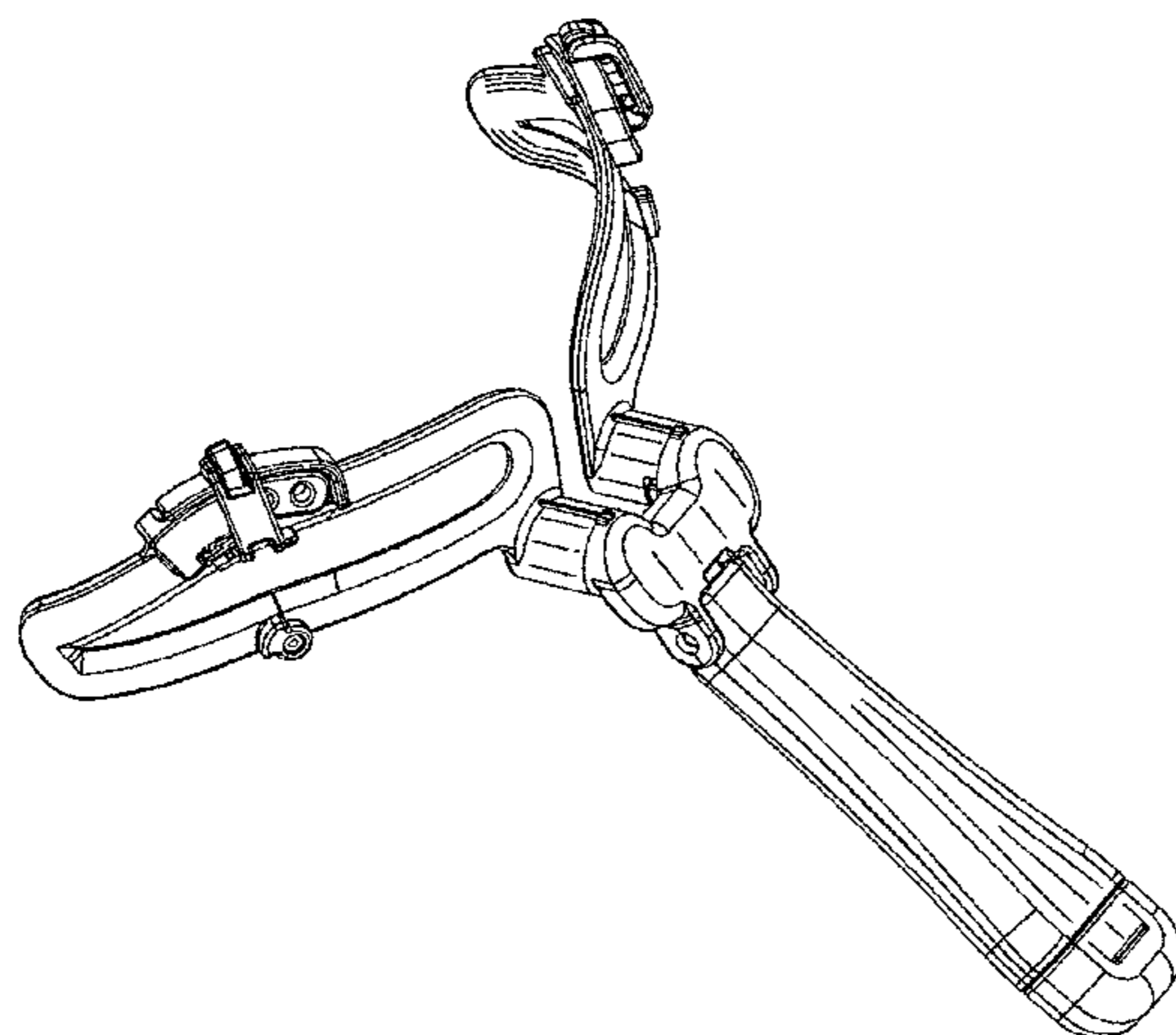
(57) **CLAIM**

The ornamental design for a multifunction foldable eyebrow stencil makeup apparatus, as shown.

**DESCRIPTION**

FIG. 1 is a front elevational view of a multifunction foldable eyebrow stencil makeup apparatus showing my new design; FIG. 2 is a rear elevational view thereof; FIG. 3 is a left side view thereof; FIG. 4 is a right side view thereof; FIG. 5 is a top plan view thereof; FIG. 6 is a bottom plan view thereof; FIG. 7 is a perspective view thereof; and, FIG. 8 is a perspective view in folded state.

**1 Claim, 8 Drawing Sheets**



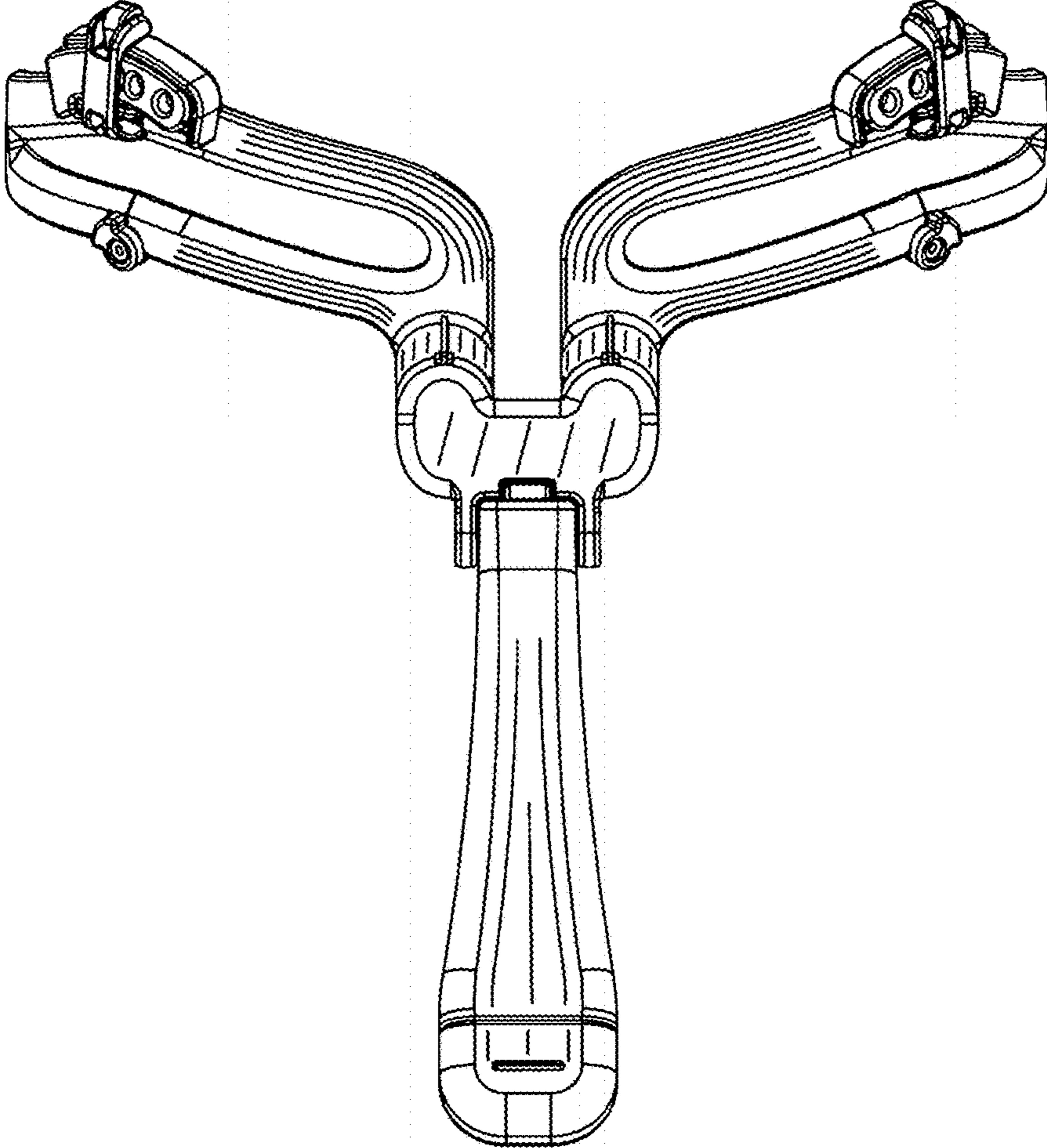


Fig. 1

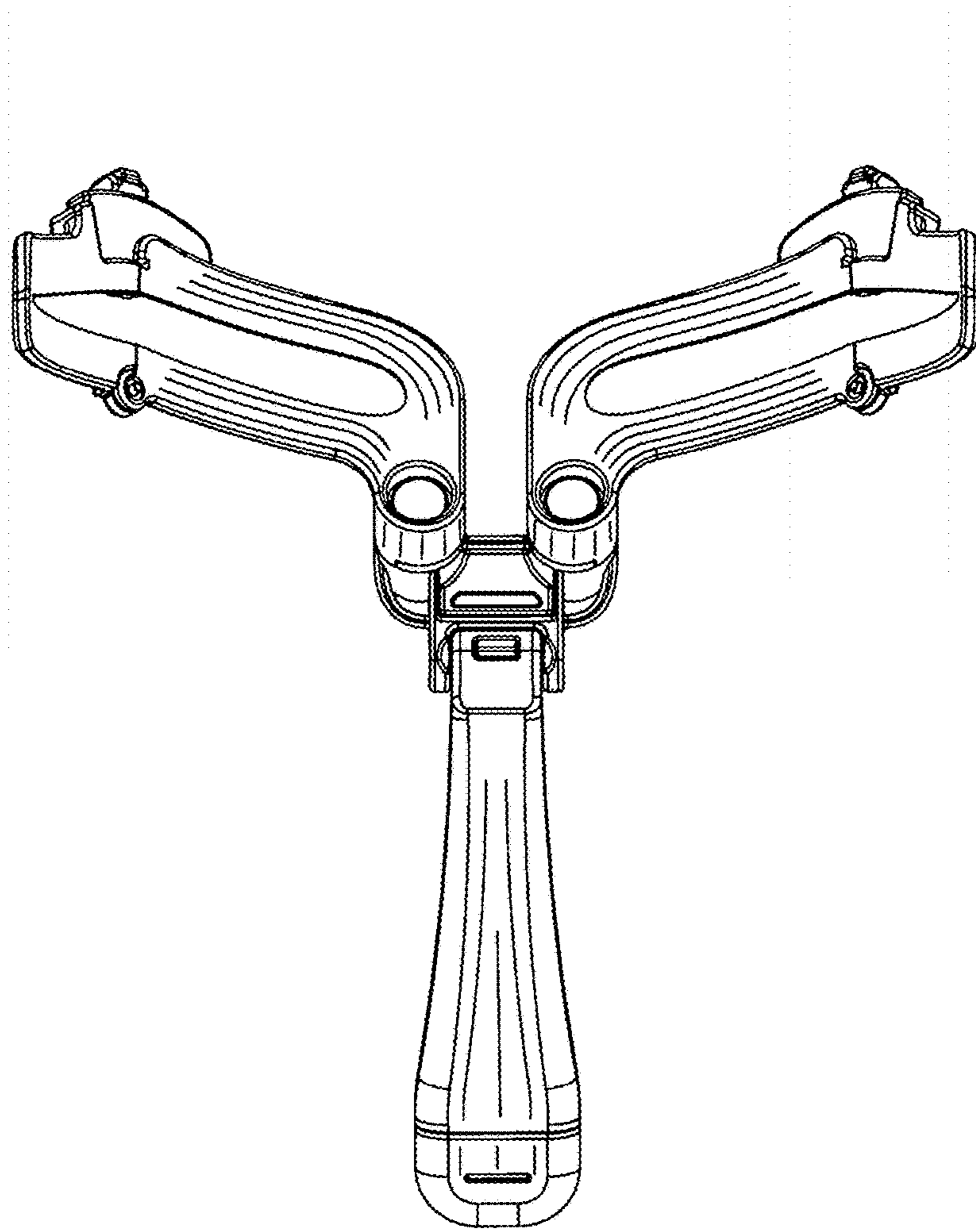


Fig. 2

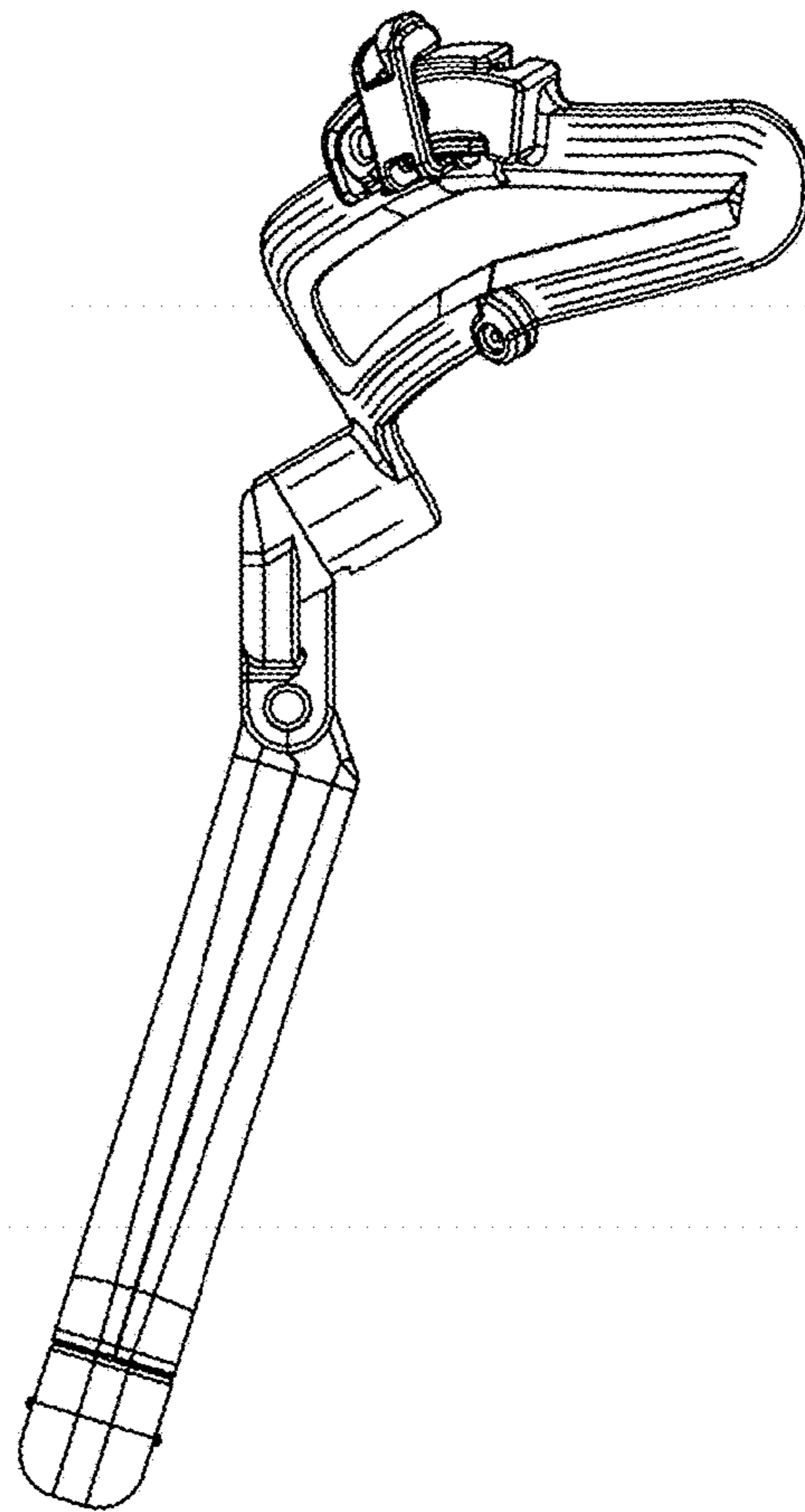


Fig. 3

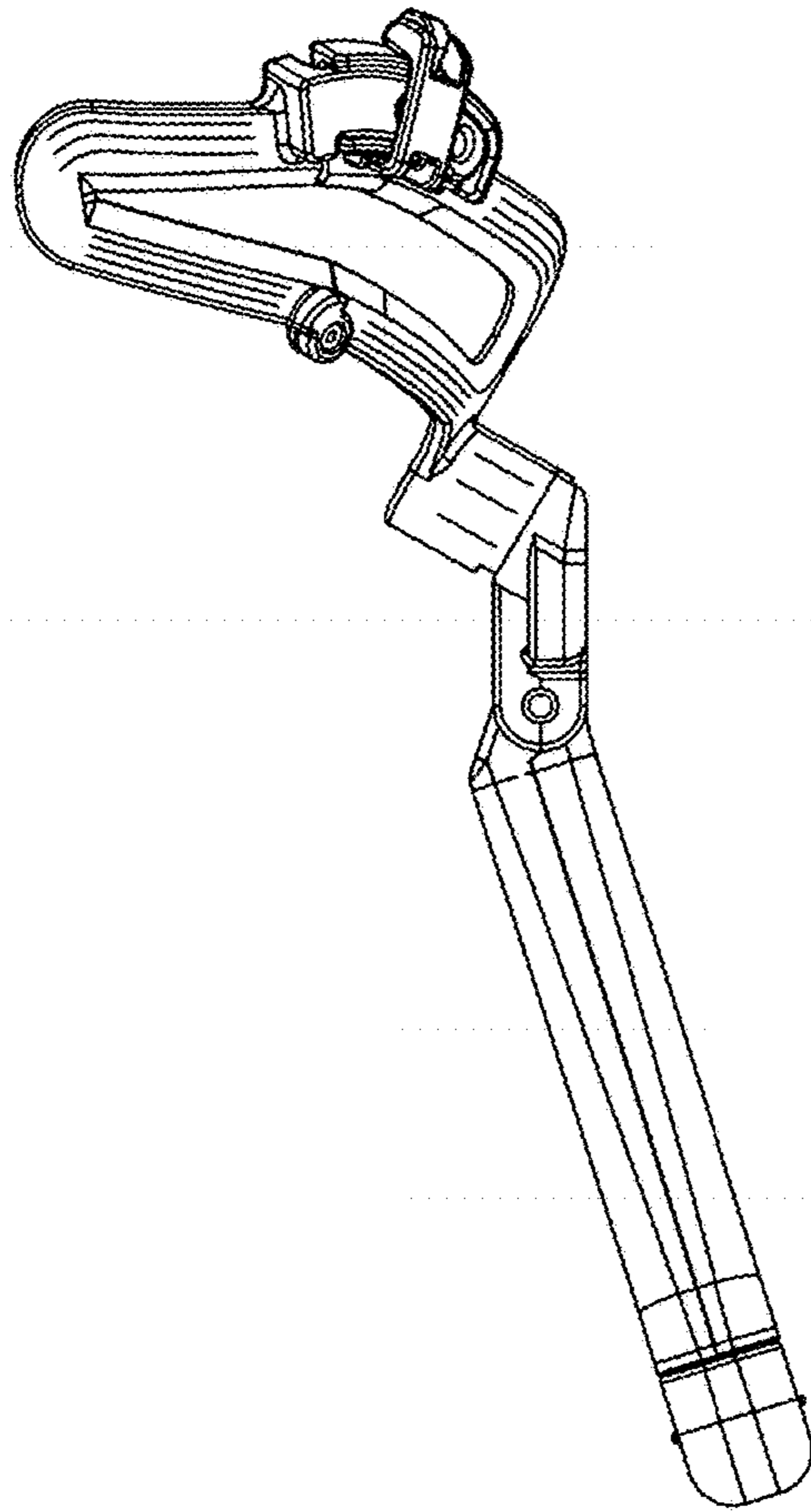


Fig. 4

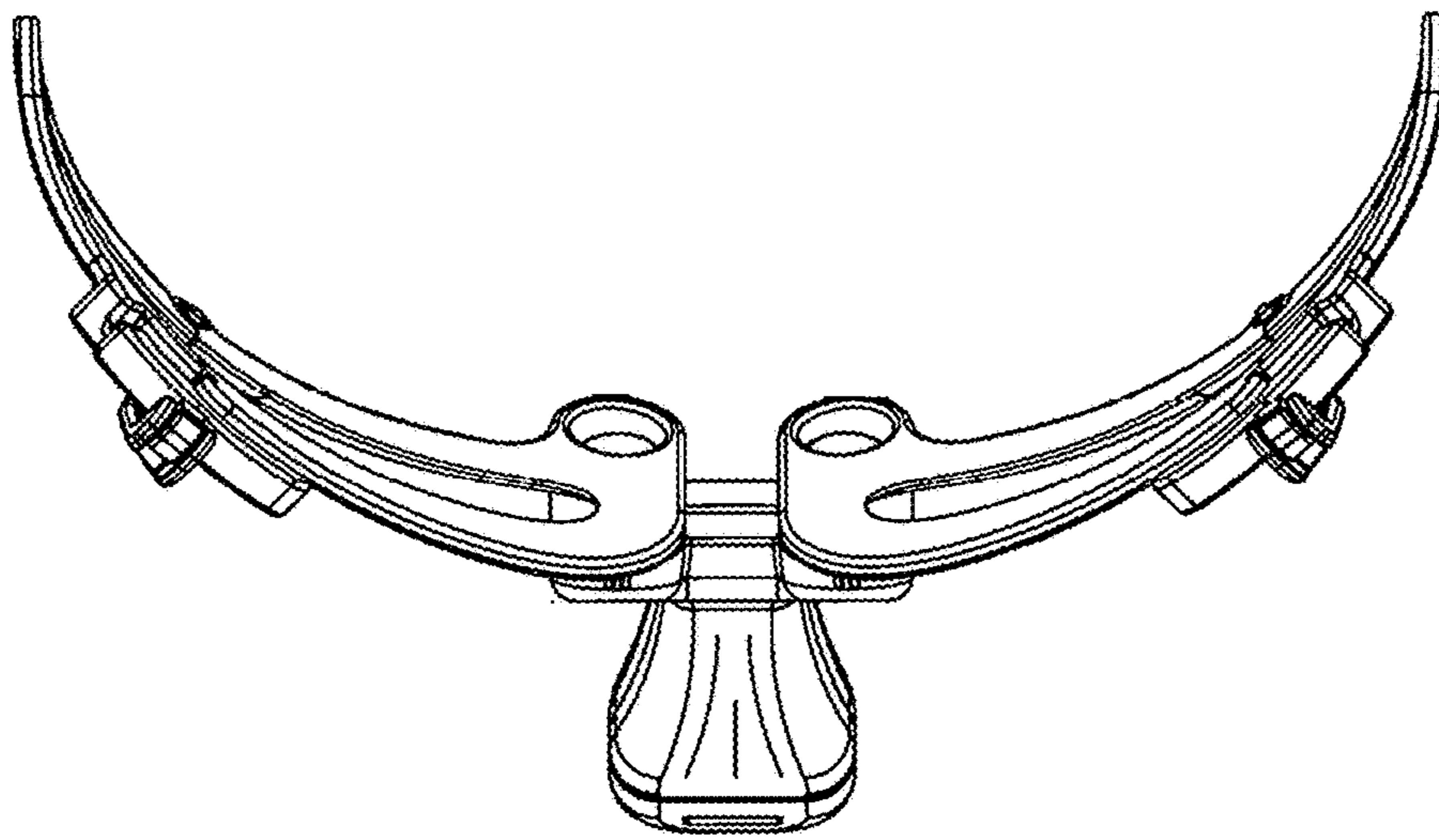


Fig. 5

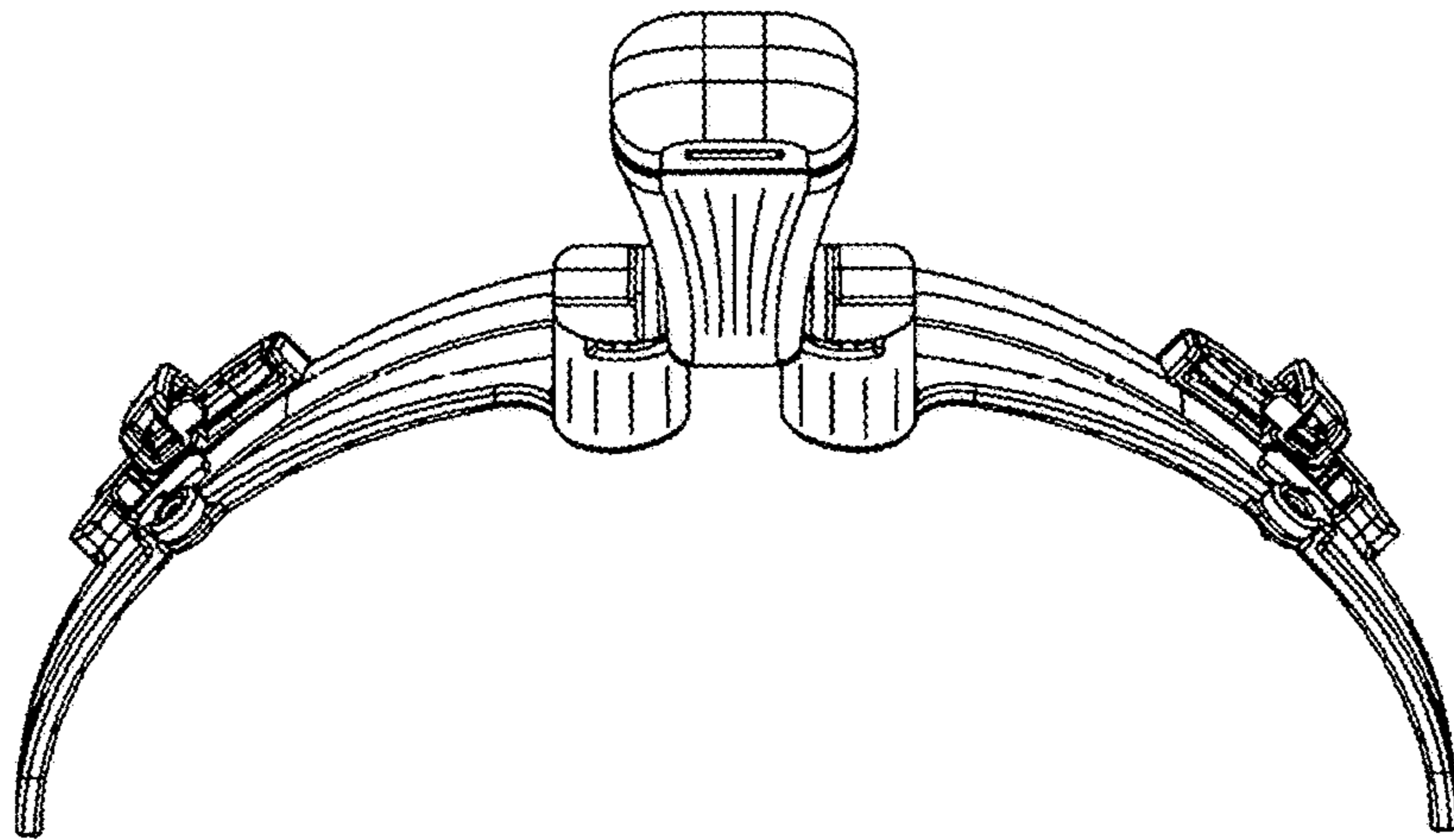


Fig. 6

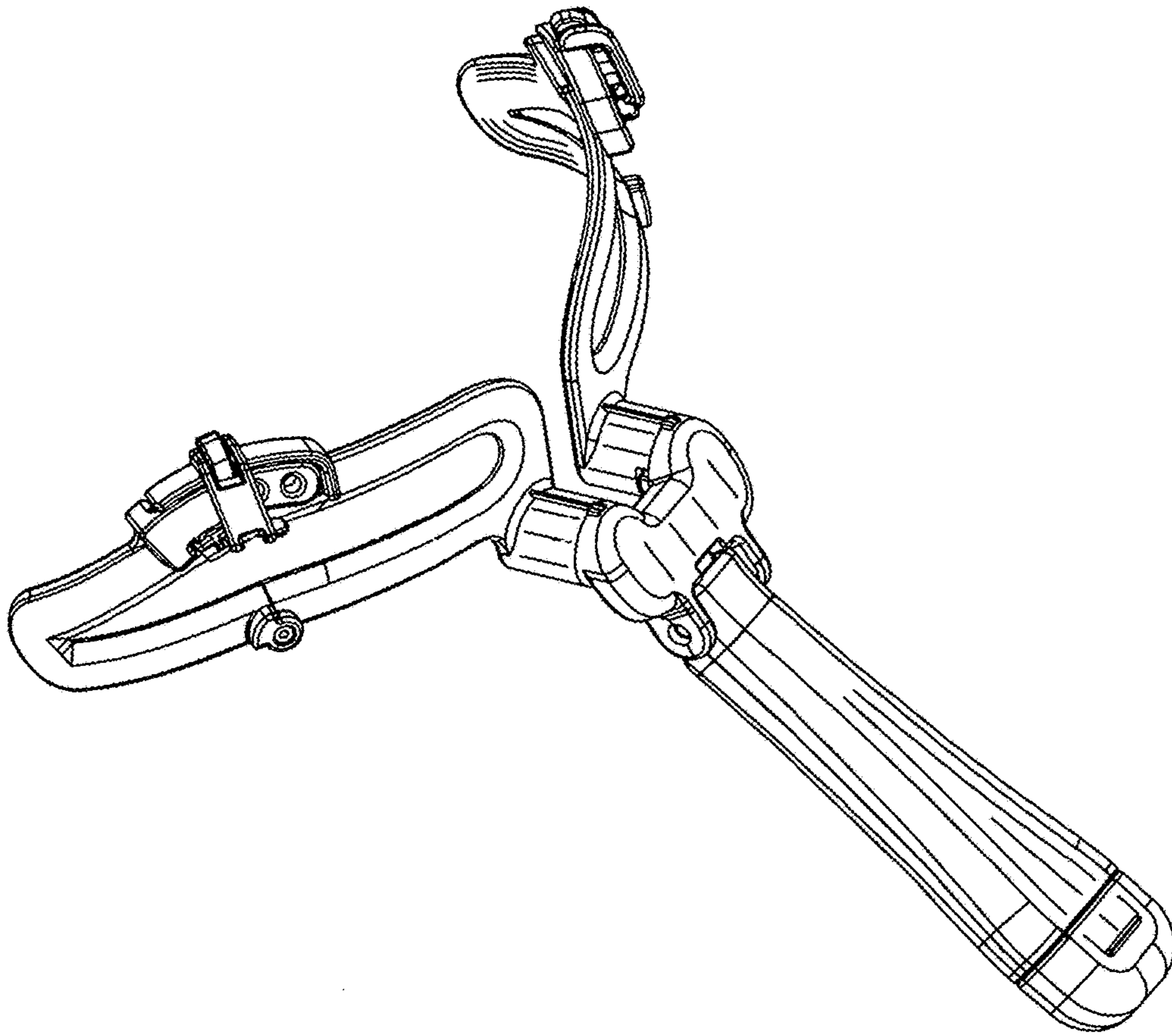


Fig. 7



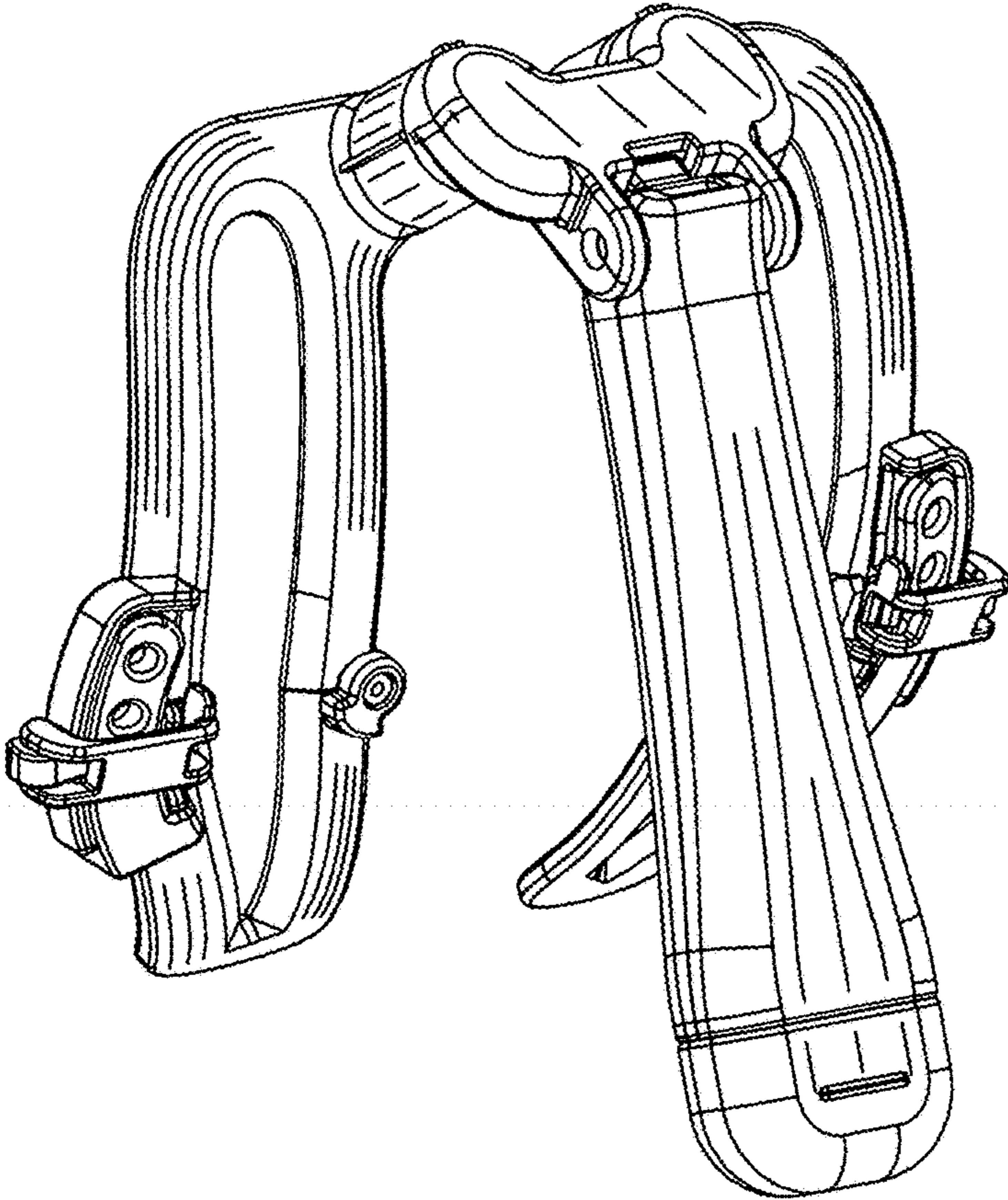


Fig. 8