

US00D841879S

(12) **United States Design Patent**
Hollinger

(10) **Patent No.:** **US D841,879 S**

(45) **Date of Patent:** **** Feb. 26, 2019**

(54) **SWIVEL DISK LIGHT**

OTHER PUBLICATIONS

(71) Applicant: **E. MISHAN & SONS, INC.**, New York, NY (US)

<https://www.amazon.com/dp/B01KY78O8S>, "CST Lighting Solar Ground Light 4-Pack, for Garden Landscape Lighting, Pathway, Stairway", Aug. 24, 2016.

(72) Inventor: **Fred Hollinger**, Monroe Township, NJ (US)

(Continued)

(73) Assignee: **E. MISHAN & SONS, INC.**, New York, NY (US)

Primary Examiner — Brian N. Vinson

(74) *Attorney, Agent, or Firm* — Notaro, Michalos & Zaccaria P.C.

(**) Term: **15 Years**

(57) **CLAIM**

The ornamental design for a swivel disk light, as shown and described.

(21) Appl. No.: **29/668,428**

DESCRIPTION

(22) Filed: **Oct. 30, 2018**

Related U.S. Application Data

(62) Division of application No. 29/662,559, filed on Sep. 6, 2018.

(51) **LOC (11) Cl.** **26-99**

(52) **U.S. Cl.**
USPC **D26/142; D26/67**

(58) **Field of Classification Search**
USPC D26/24, 60-68, 72, 85, 92, 113, 118,
D26/119, 131, 138, 142

(Continued)

(56) **References Cited**

U.S. PATENT DOCUMENTS

4,835,664 A 5/1989 Wen
5,055,984 A 10/1991 Hung et al.

(Continued)

FOREIGN PATENT DOCUMENTS

CN 200830247356.0 11/2009
CN 201530557956.7 6/2016

(Continued)

FIG. 1 is a front, top perspective view of a swivel disk light showing my design therefor;

FIG. 2 is a bottom perspective view thereof;

FIG. 3 is a front elevational view thereof;

FIG. 4 is a rear elevational view thereof;

FIG. 5 is a left side view thereof;

FIG. 6 is a right side view thereof;

FIG. 7 is a bottom plan view thereof;

FIG. 8 is a front, top perspective view of a second embodiment showing the disk in a rotated orientation;

FIG. 9 bottom perspective view of the second embodiment showing the disk in a rotated orientation;

FIG. 10 is a front elevational view of the second embodiment showing the disk in a rotated orientation;

FIG. 11 is a rear elevational view of the second embodiment showing the disk in a rotated orientation;

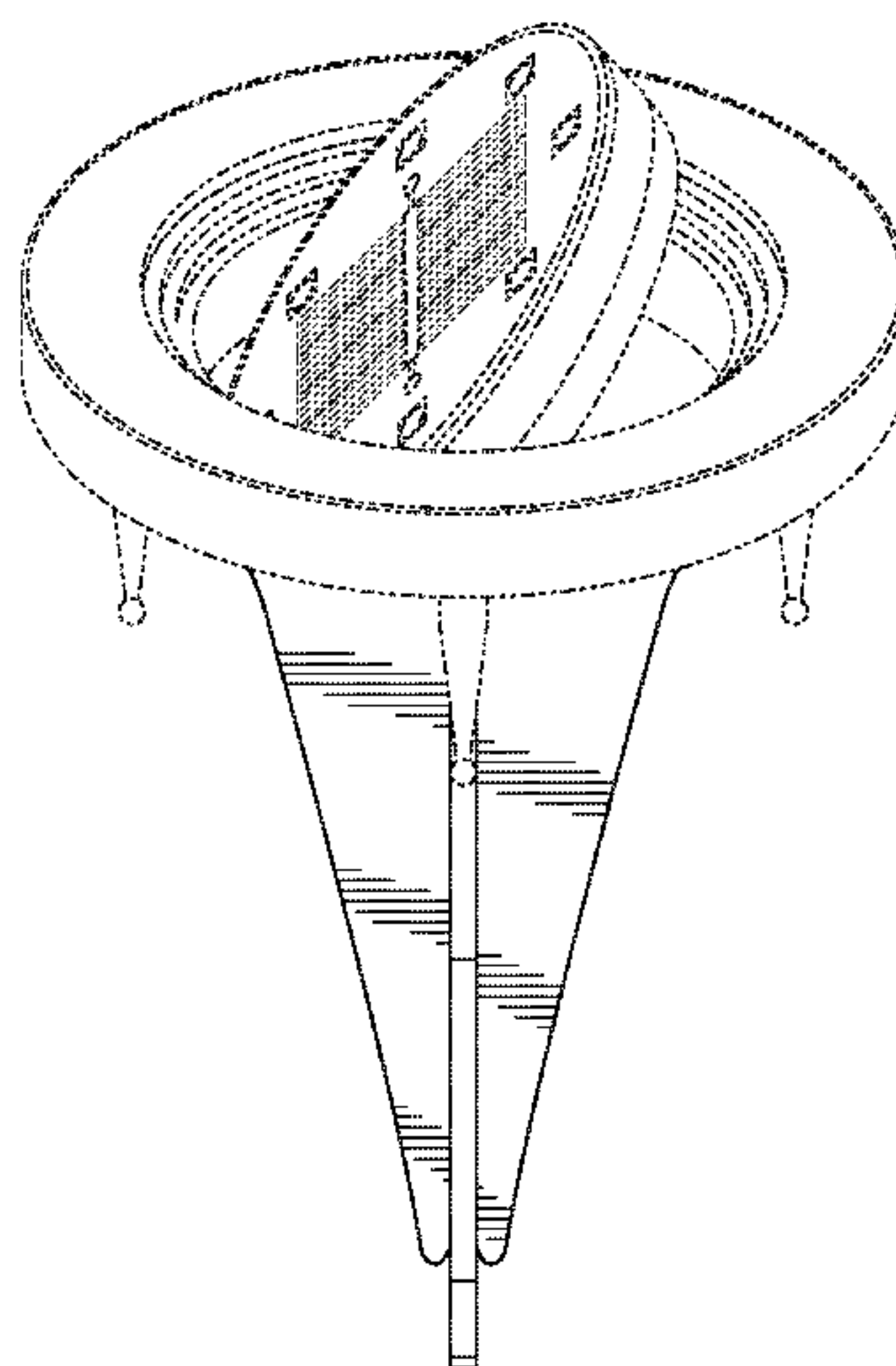
FIG. 12 is a left side view of the second embodiment showing the disk in a rotated orientation;

FIG. 13 is a right side view of the second embodiment showing the disk in a rotated orientation; and,

FIG. 14 is a bottom plan of the second embodiment showing the disk in a rotated orientation.

Throughout the drawings, broken lines show environment only and form no part of the claimed design.

1 Claim, 14 Drawing Sheets



(58) **Field of Classification Search**

CPC F21V 21/14; F21V 15/01; F21V 14/02;
F21V 21/30; F21V 14/00; F21V 17/02;
F21V 21/116; F21Y 2105/001; F21S
8/00; F21S 8/081

See application file for complete search history.

9,657,909 B2 5/2017 Cohen
D800,940 S 10/2017 Guzzini
D804,715 S * 12/2017 Lentine D26/142
D822,253 S * 7/2018 Wu D26/67
D825,805 S * 8/2018 Jurik D26/63
D834,240 S * 11/2018 Mullen D26/138
2003/0137831 A1 7/2003 Lin
2006/0012996 A1 1/2006 Tseng
2006/0187656 A1 8/2006 Kuelbs et al.
2007/0002561 A1 1/2007 Tesmer et al.
2007/0121317 A1 5/2007 Huang et al.
2007/0263381 A1 11/2007 Goldman et al.
2009/0027900 A1 1/2009 Janos et al.
2009/0059572 A1 3/2009 Wang
2011/0013384 A1 1/2011 Lu
2011/0310597 A1 12/2011 Lu
2016/0230972 A1 8/2016 Choi et al.
2017/0135226 A1 5/2017 Chen
2017/0184260 A1 6/2017 Munoz Abogabir

(56) **References Cited**

U.S. PATENT DOCUMENTS

D333,526 S * 2/1993 Taylor D25/131
6,013,985 A 1/2000 Green et al.
6,131,321 A 10/2000 Daigle, Jr.
D438,322 S 2/2001 Skradski et al.
D445,523 S 7/2001 Skradski et al.
D450,150 S * 11/2001 Skradski D26/68
D451,618 S 12/2001 Skradski et al.
D451,619 S 12/2001 Skradski et al.
6,339,188 B1 1/2002 Voelkner
6,406,163 B1 6/2002 Yang
D483,903 S 12/2003 Skradski et al.
D483,904 S 12/2003 Skradski et al.
6,729,742 B2 5/2004 Wismeth et al.
D494,536 S 8/2004 Pu
D517,717 S 3/2006 Sanoner
D517,719 S 3/2006 Sanoner
7,029,144 B2 4/2006 Fu
7,172,307 B2 2/2007 Izardel
7,196,477 B2 3/2007 Richmond
D551,791 S 9/2007 Sanoner
D555,278 S * 11/2007 Sanoner D26/68
D556,933 S 12/2007 Sanoner
D574,104 S 7/2008 Sanoner
7,429,827 B2 9/2008 Richmond
7,503,669 B2 3/2009 Rizkin et al.
7,588,349 B2 9/2009 Yen
D605,326 S * 12/2009 Sanoner D26/67
D616,129 S * 5/2010 Sanoner D26/67
7,887,214 B2 2/2011 Chang et al.
D642,722 S 8/2011 Oberpriller
8,186,857 B2 5/2012 Porter
8,203,285 B2 6/2012 Chen
8,220,959 B2 7/2012 Rizkin et al.
8,222,823 B2 7/2012 Hsu
8,292,452 B2 10/2012 Ko
8,348,452 B2 1/2013 Zheng
8,362,700 B2 1/2013 Richmond
8,454,208 B2 6/2013 Porter
8,602,585 B1 12/2013 Lowe
D698,061 S 1/2014 Burke
8,632,234 B1 1/2014 Lowe
8,664,866 B2 3/2014 Kay
8,845,126 B1 9/2014 Martzall
D743,079 S 11/2015 Adair
9,175,821 B2 11/2015 Adair
9,222,634 B2 12/2015 Zhu
9,273,841 B2 3/2016 Philhower et al.
9,335,013 B2 5/2016 Martzall
D770,076 S 10/2016 Li et al.
9,572,304 B2 2/2017 Harari

FOREIGN PATENT DOCUMENTS

EM 000380670-001 11/2005
EM 002733949-0041 8/2015
EM 004362432 9/2017
EM 004426237 11/2017
EM 004129617-0001 8/2018

OTHER PUBLICATIONS

<https://www.amazon.com/Powered-Waterproof-Landscape-Lighting-Driveway/dp/B07125KXLW/>, “NUMARDA 4Pcs 4 LED Solar Powered Ground Lights Outdoor lamp Waterproof LED Solar Path Lights Garden Landscape Spike Lighting for Yard Driveway Lawn Pathway—White”, May 26, 2017.
<https://www.amazon.com/Powered-Outdoor-Waterproof-Landscape-Lighting/dp/B07BQY5M5H/>, “Hometom Solar Powered Ground Light Outdoor Lights Waterproof LED Solar Path Lights Garden Landscape Lighting—4 Pack”, Jun. 8, 2017.
<https://www.amazon.com/Powered-Alvivi-Outdoor-Waterproof-Driveway/dp/B073XLD3KN/>, “Solar Powered Ground Light, Alvivi Outdoor Waterproof Garden Pathway Lights with 4 LEDs, Walkway Lights for Home, Yard, Driveway, Lawn, 4 Pack (White)”, Jun. 24, 2017.
<https://www.amazon.com/Wenjuan-Buried-Ground-Outdoor-Decking/dp/B077Z4QT5L/>, “Wenjuan 8 LED Solar Buried Power Light Ground Lamp Outdoor Path Way Garden Decking”, Dec. 5, 2017.
<https://www.amazon.com/Underground-Rambling-Waterproof-Outdoor-Decking/dp/B078G56VLP/>, “Solar Underground Light,Rambling 8LED Power Buried Light Under Ground Lamp Waterproof Outdoor Path Way Garden Decking Auto On Off Switch Cool White”, Dec. 16, 2017.
<https://www.amazon.com/ONEVER-Lighting-Waterproof-Driveway-Pathway/dp/B078LW7ZLT/>, “8-LEDs Solar Power Ground Light, ONEVER Spike Lighting Built-in Light Sensor IPX4 Waterproof for Path Floor Yard Driveway Lawn Pathway (Pack of 4X)”, Dec. 24, 2017.

* cited by examiner

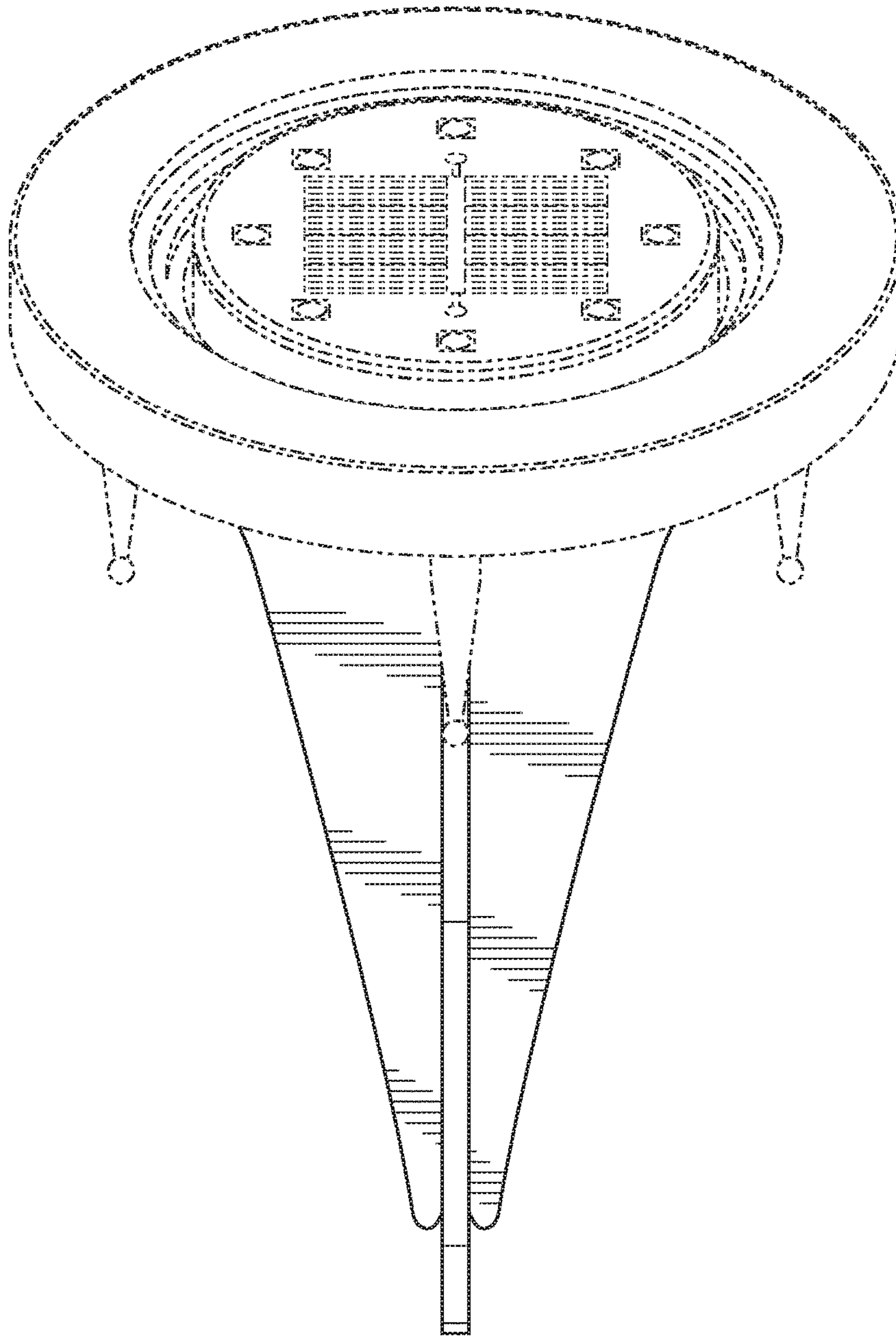


FIG. 1

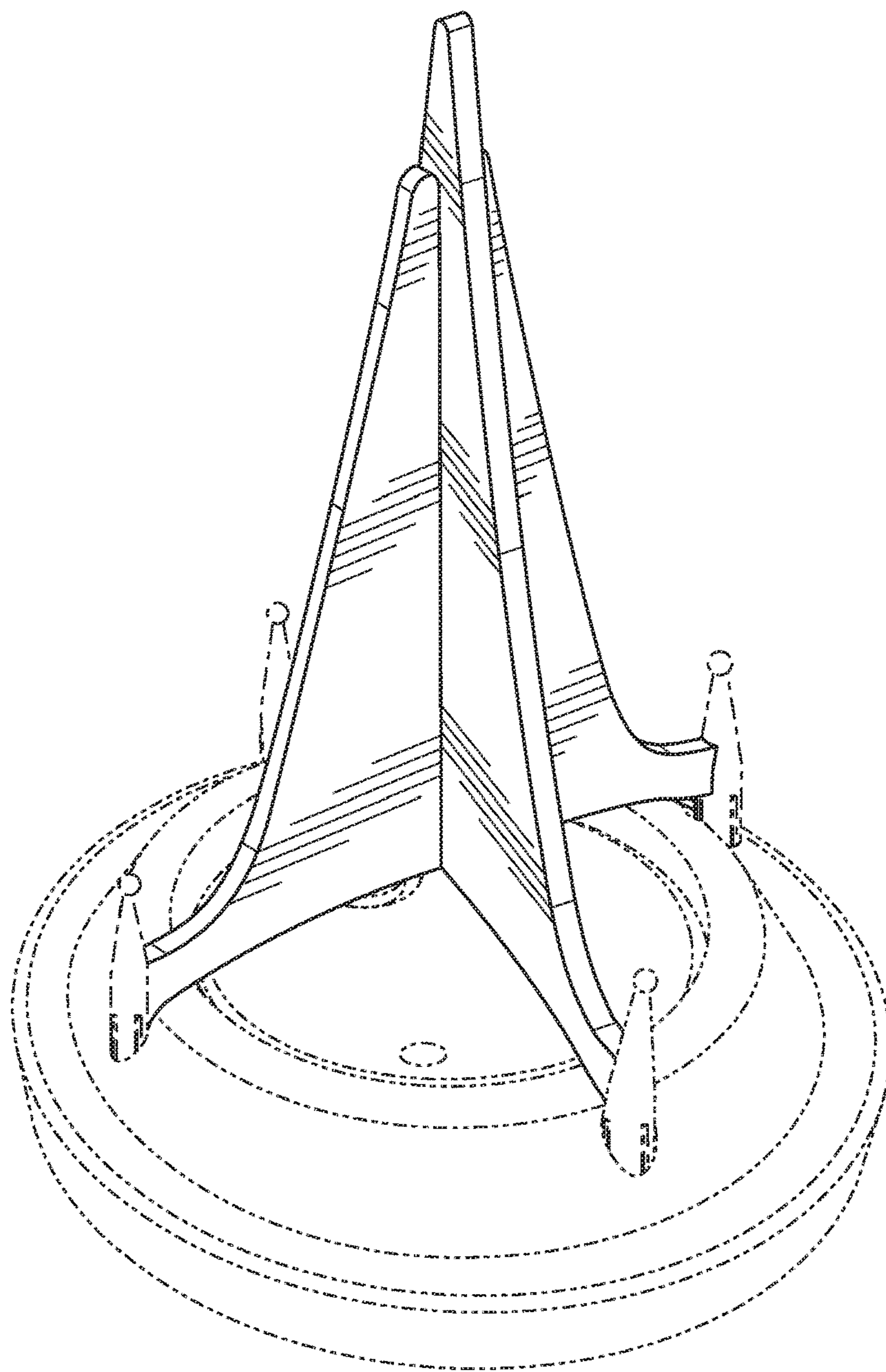


FIG. 2

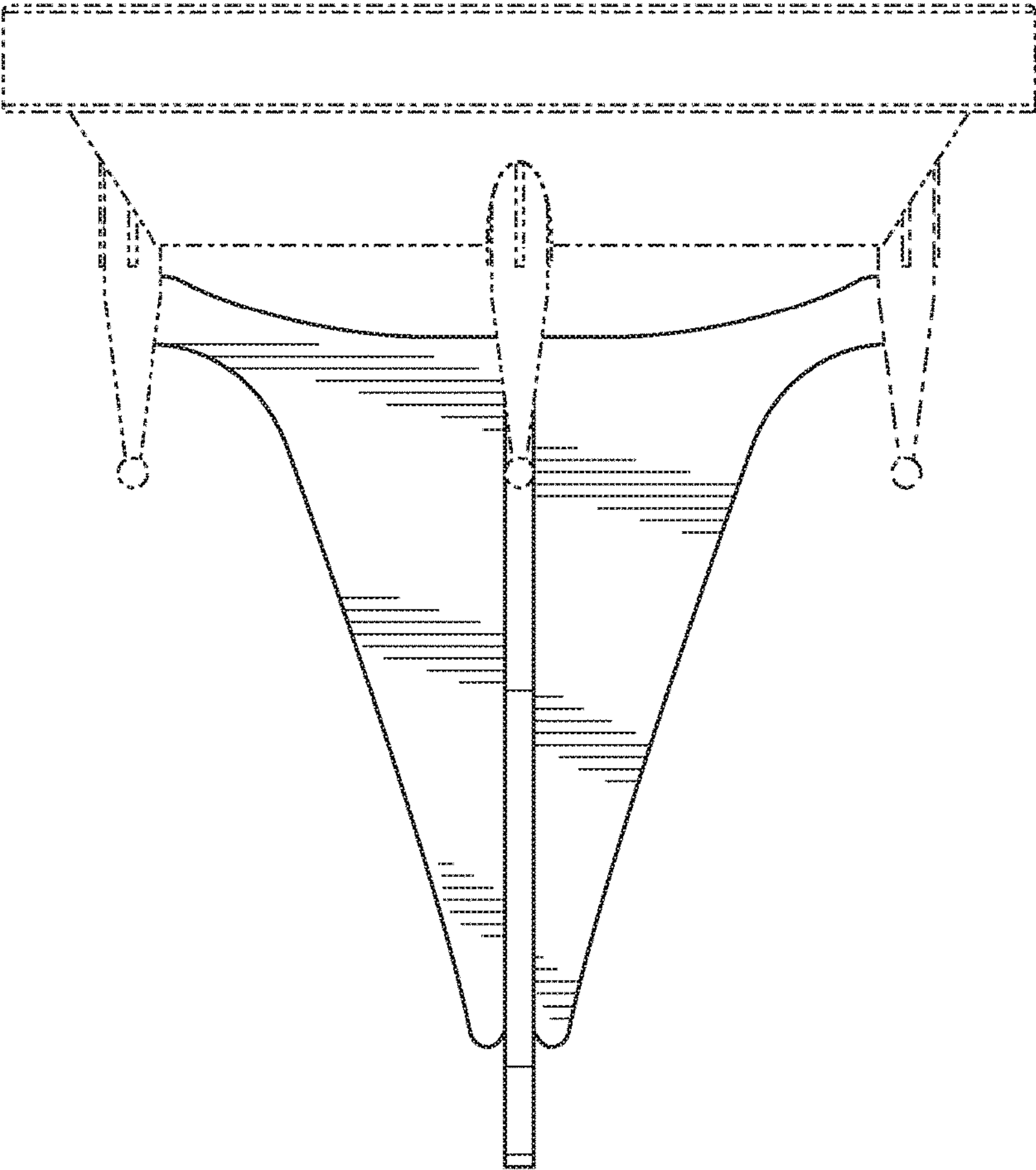


FIG. 3

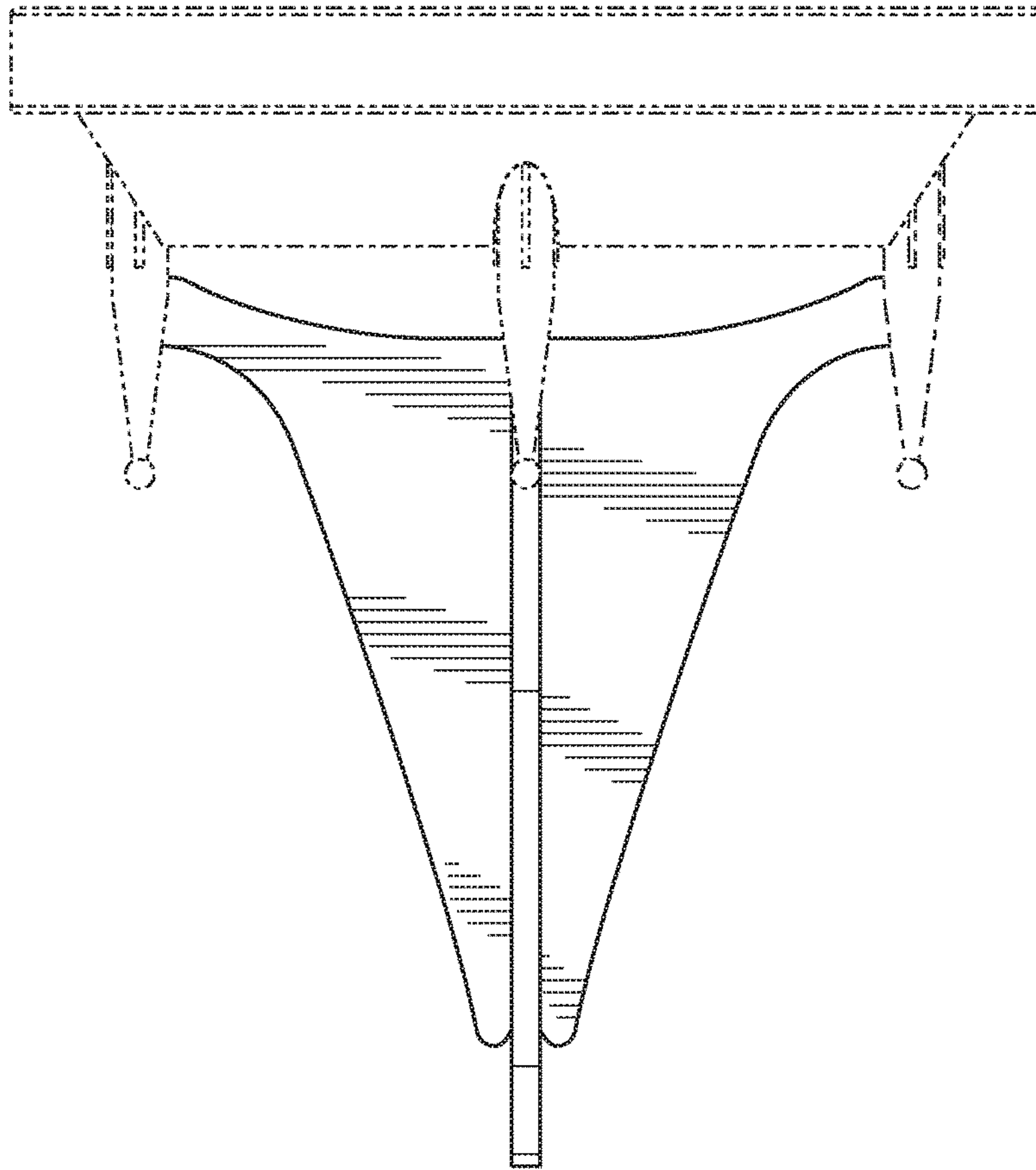


FIG. 4

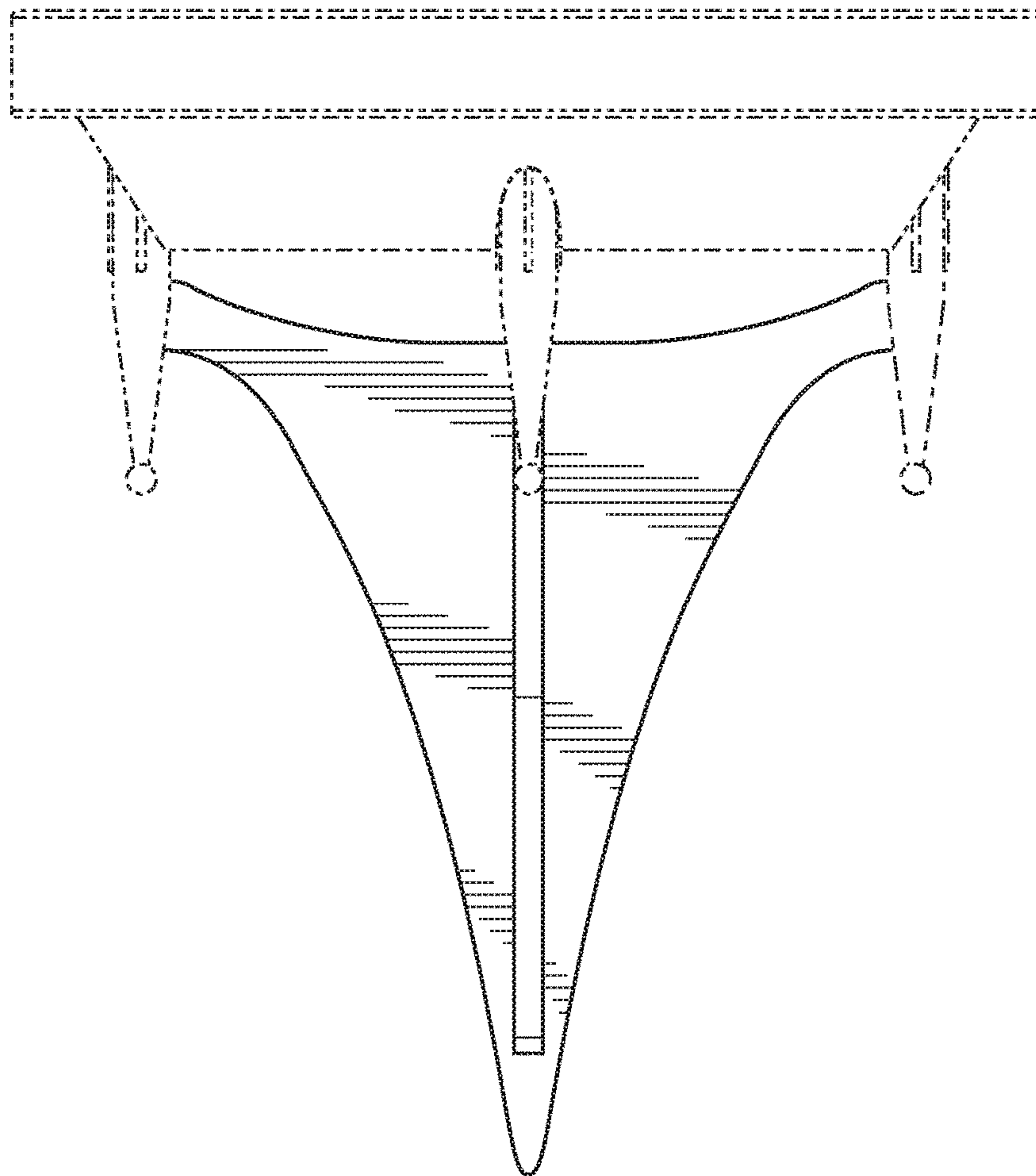


FIG. 5

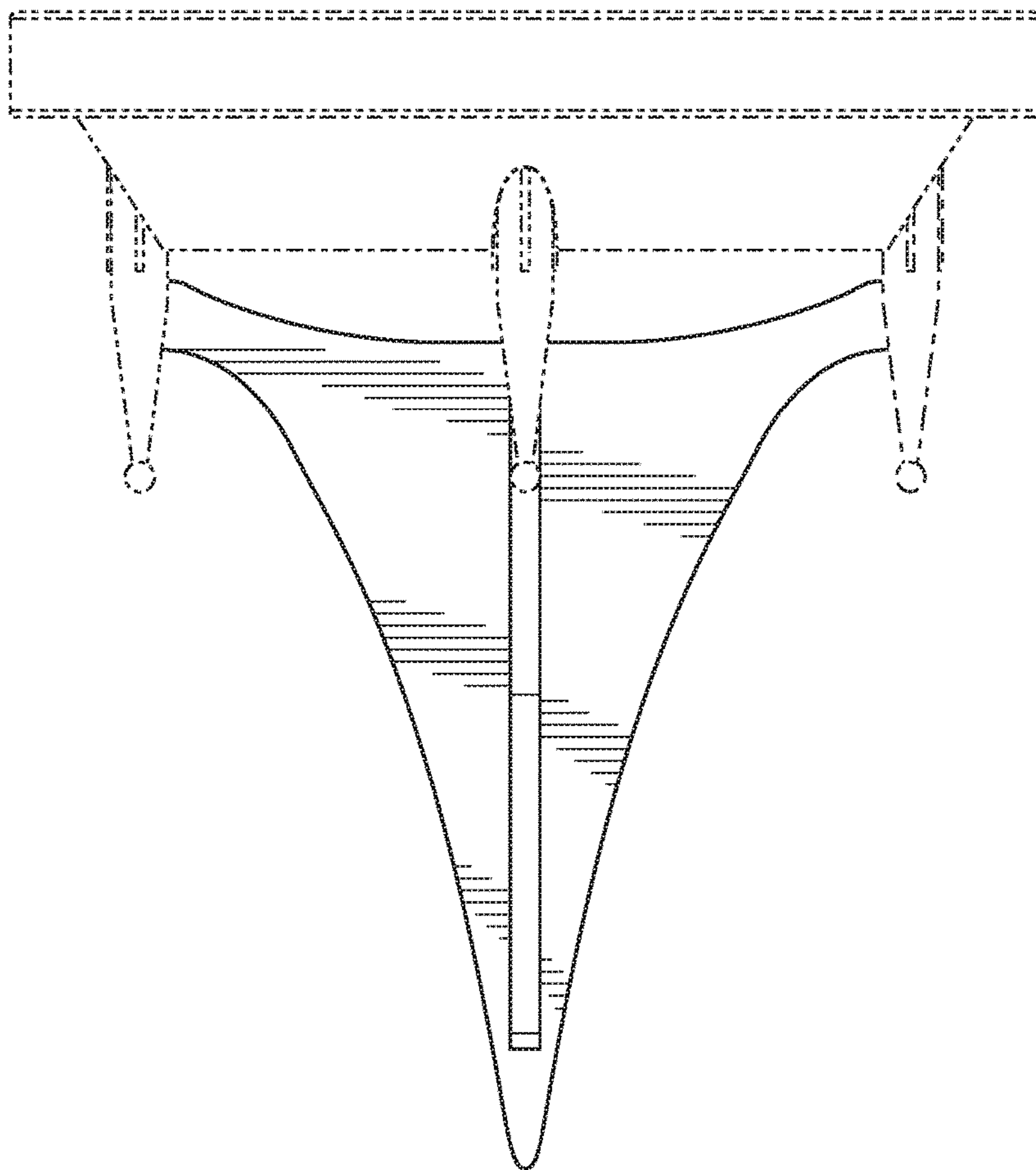


FIG. 6

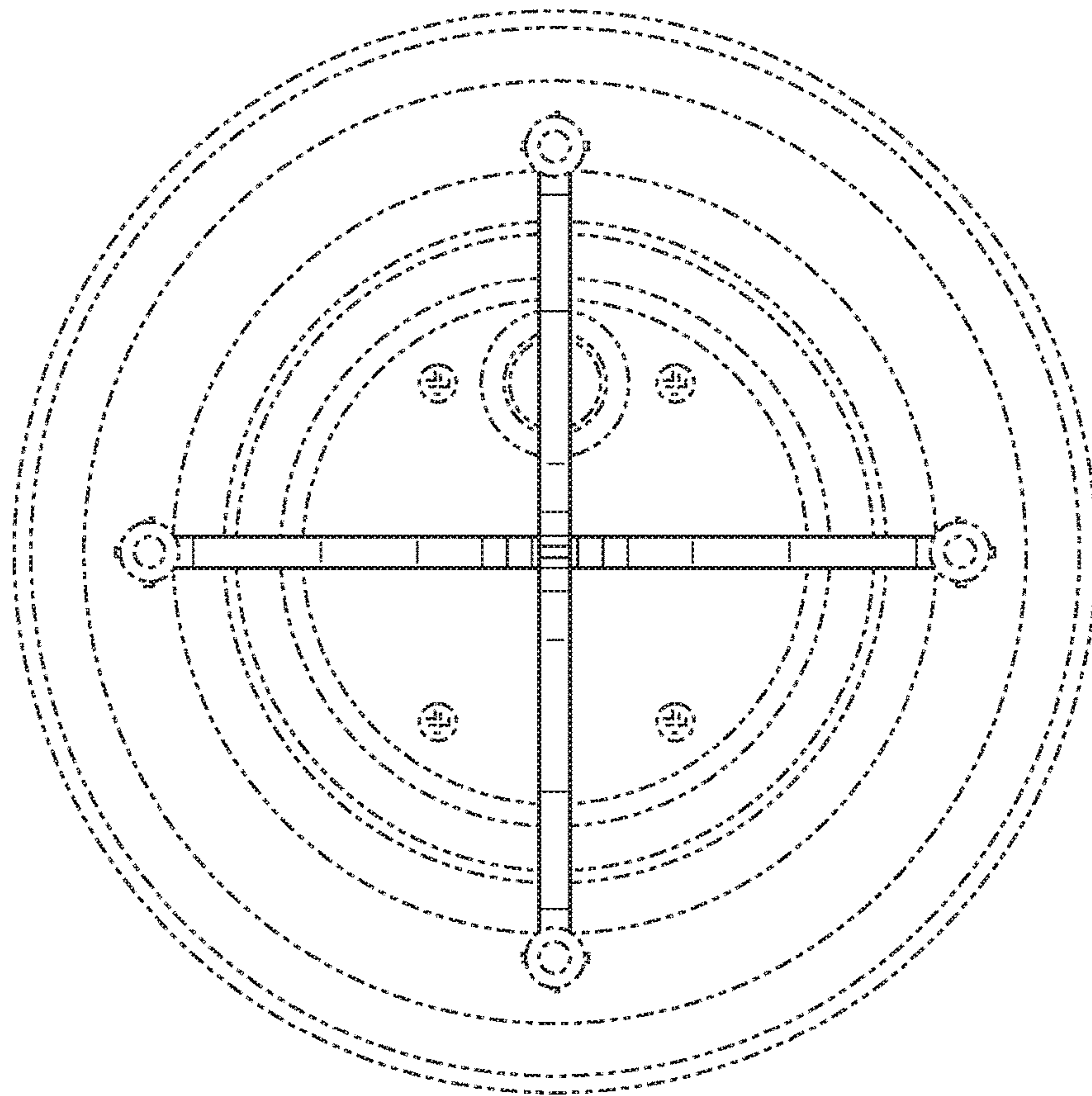


FIG. 7

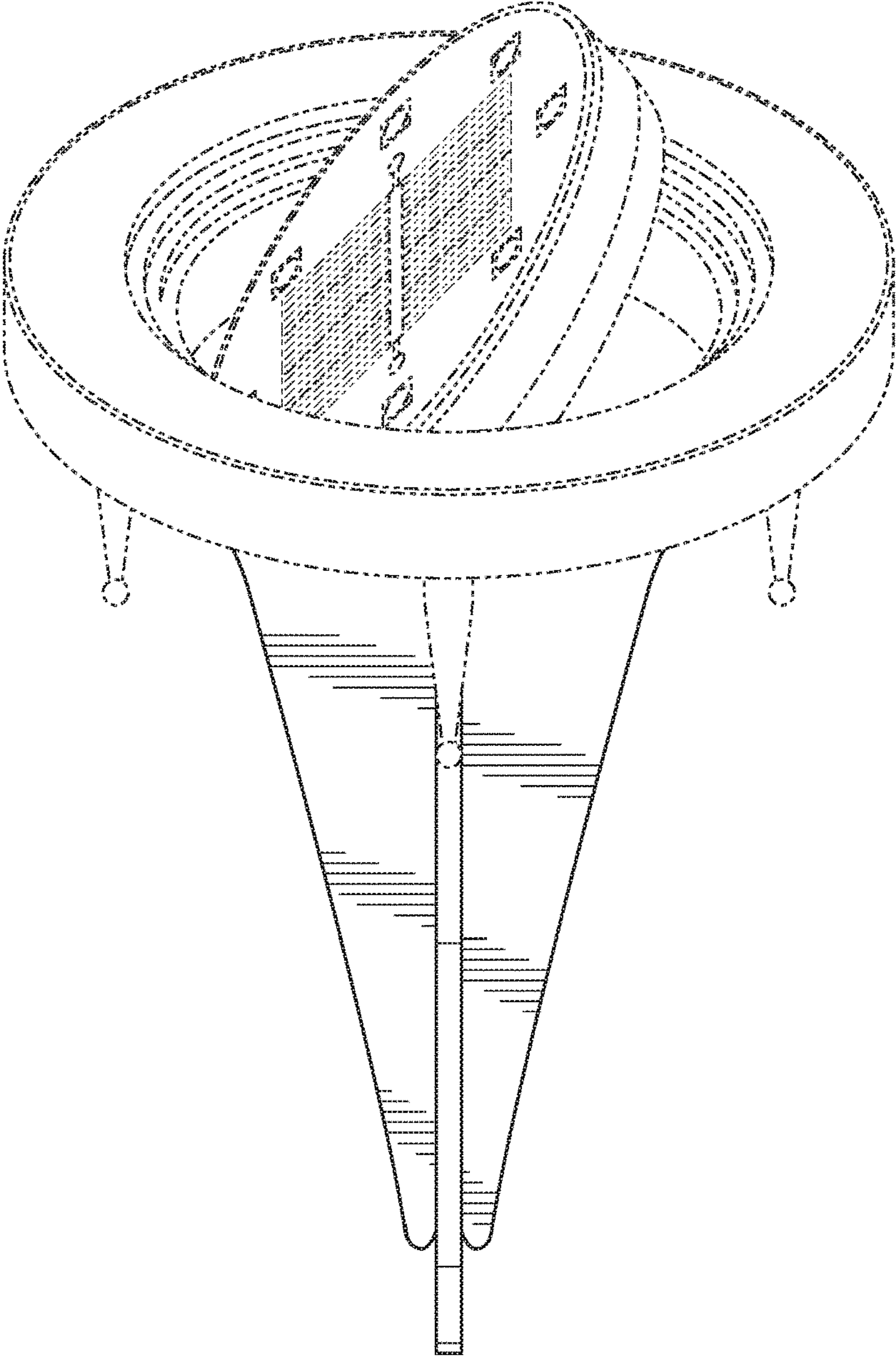


FIG. 8

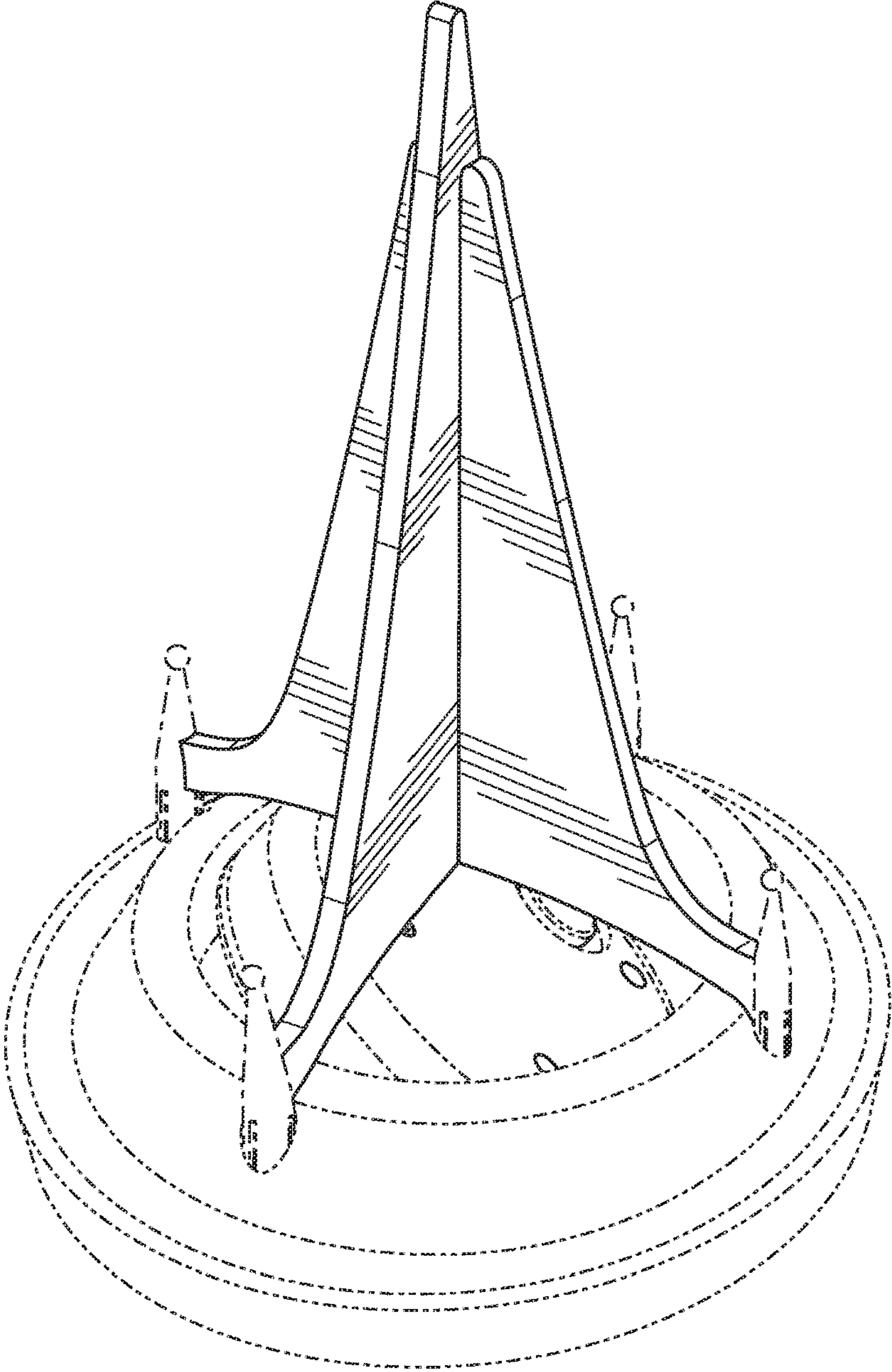


FIG. 9

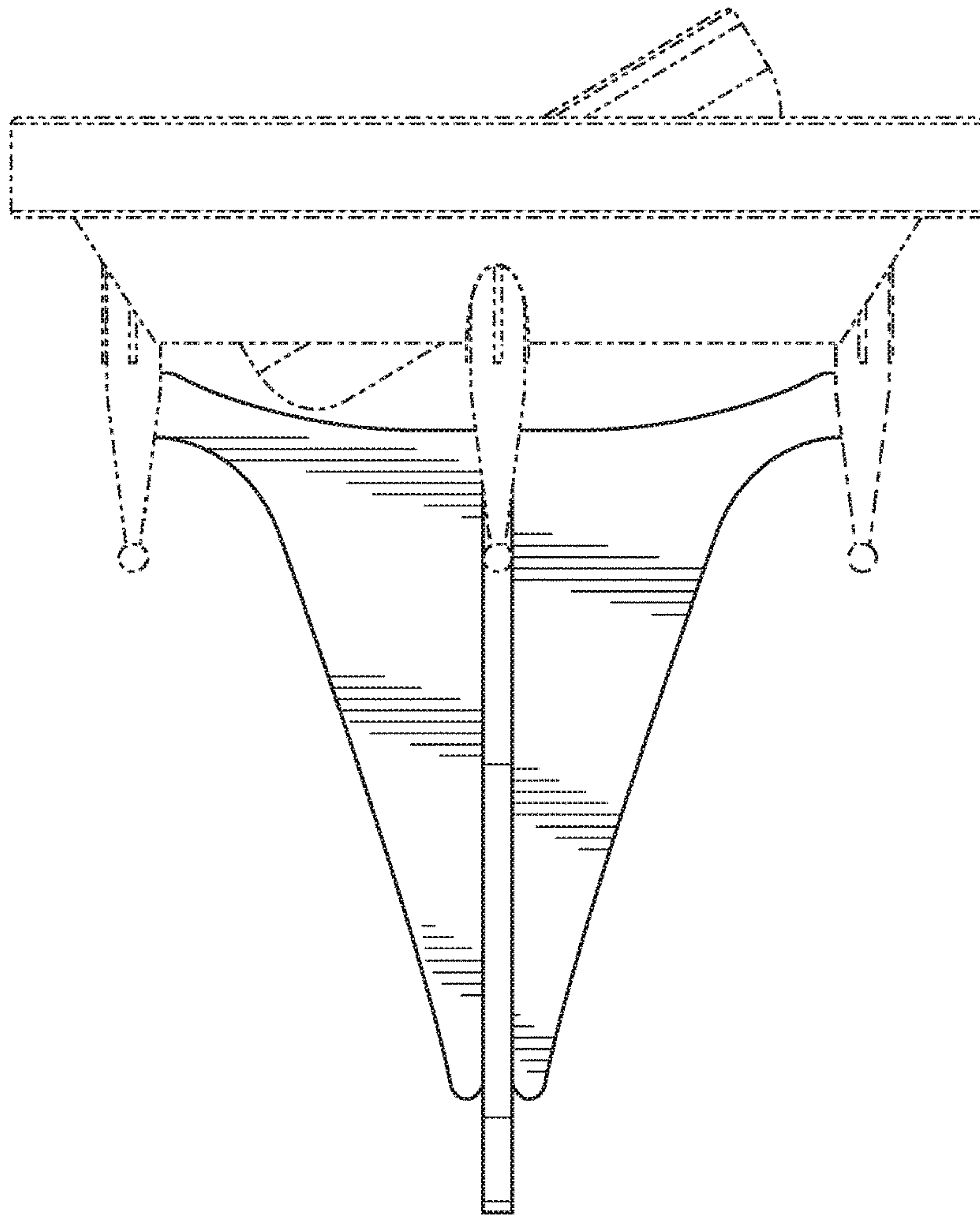


FIG. 10

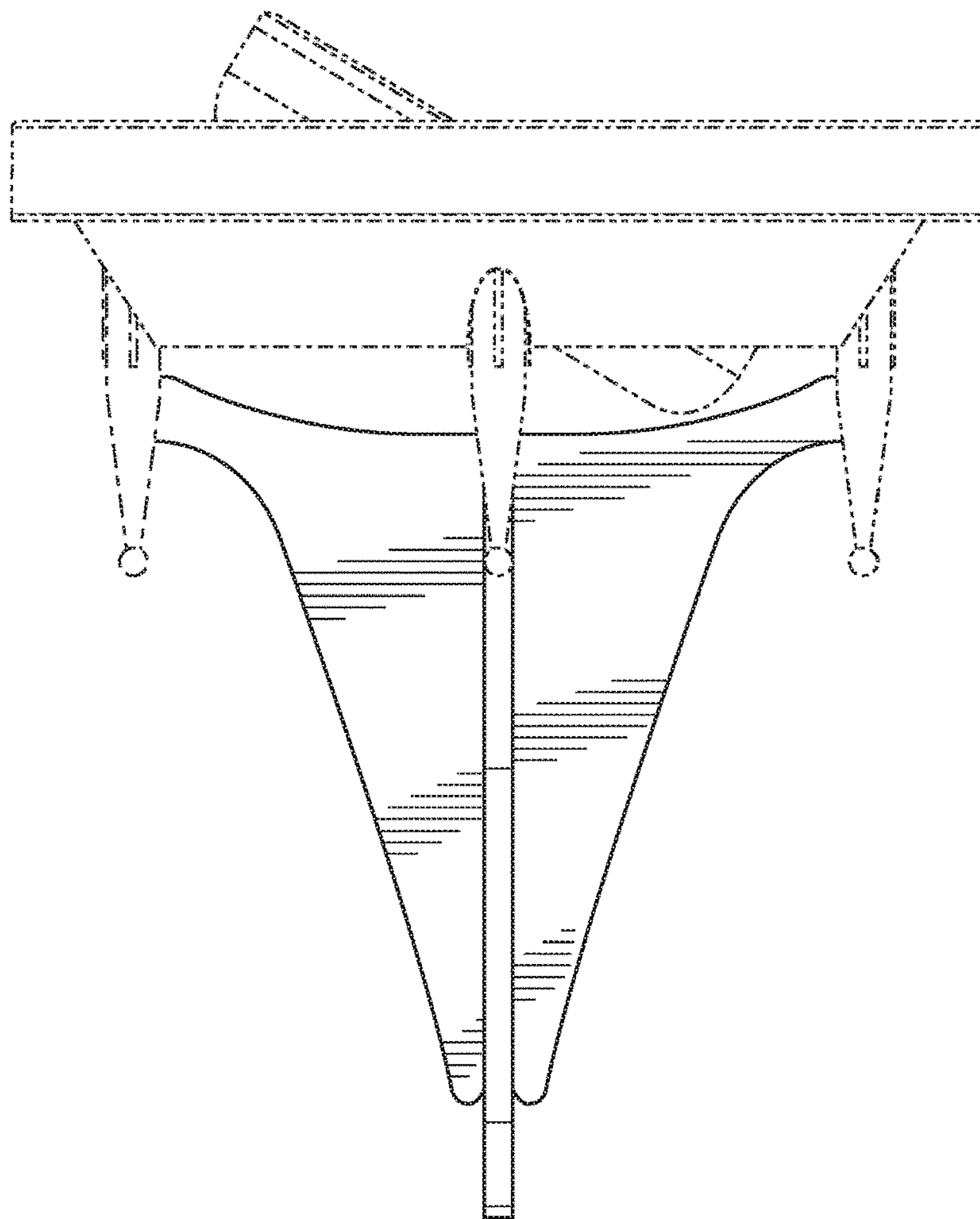


FIG. 11

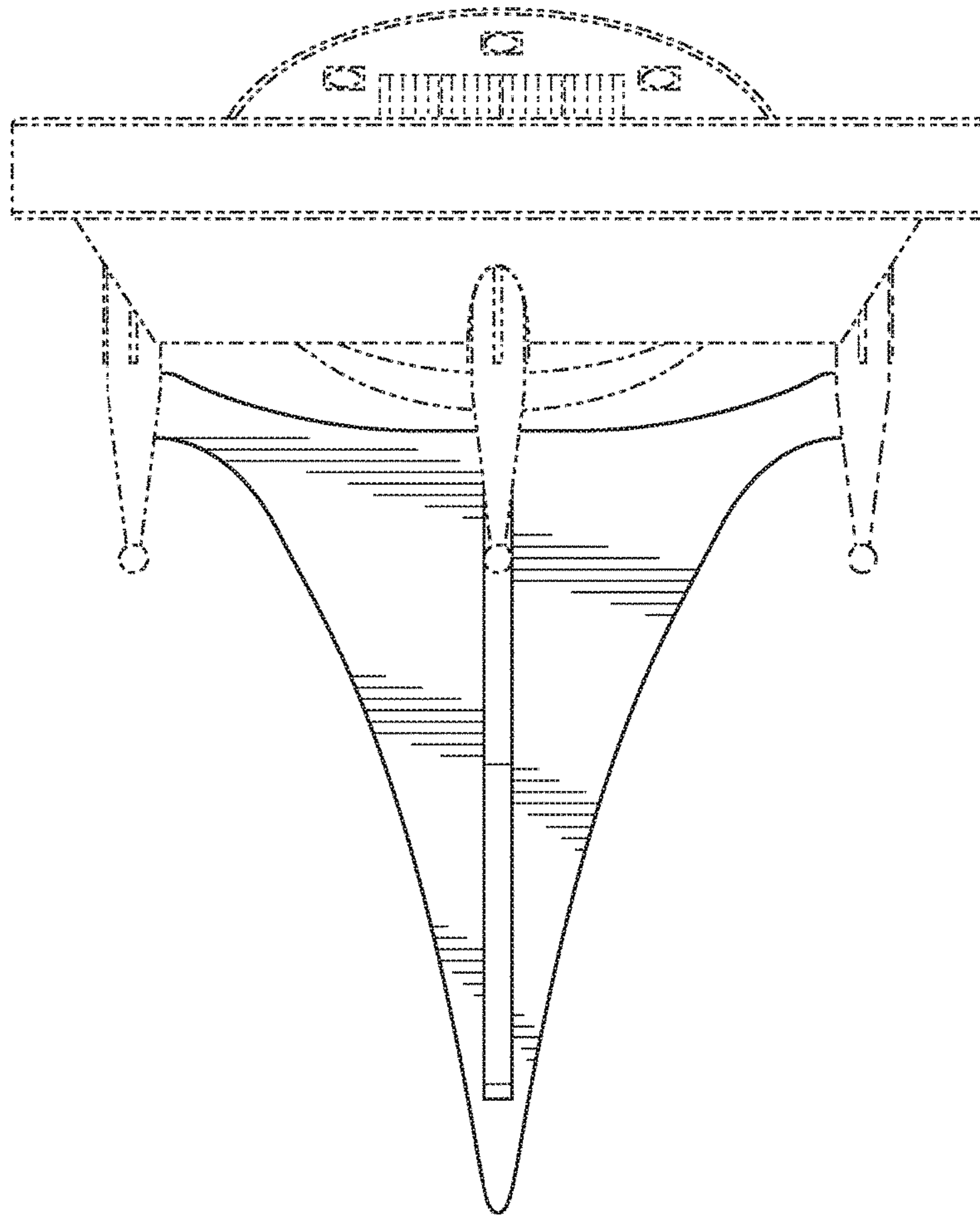


FIG. 12

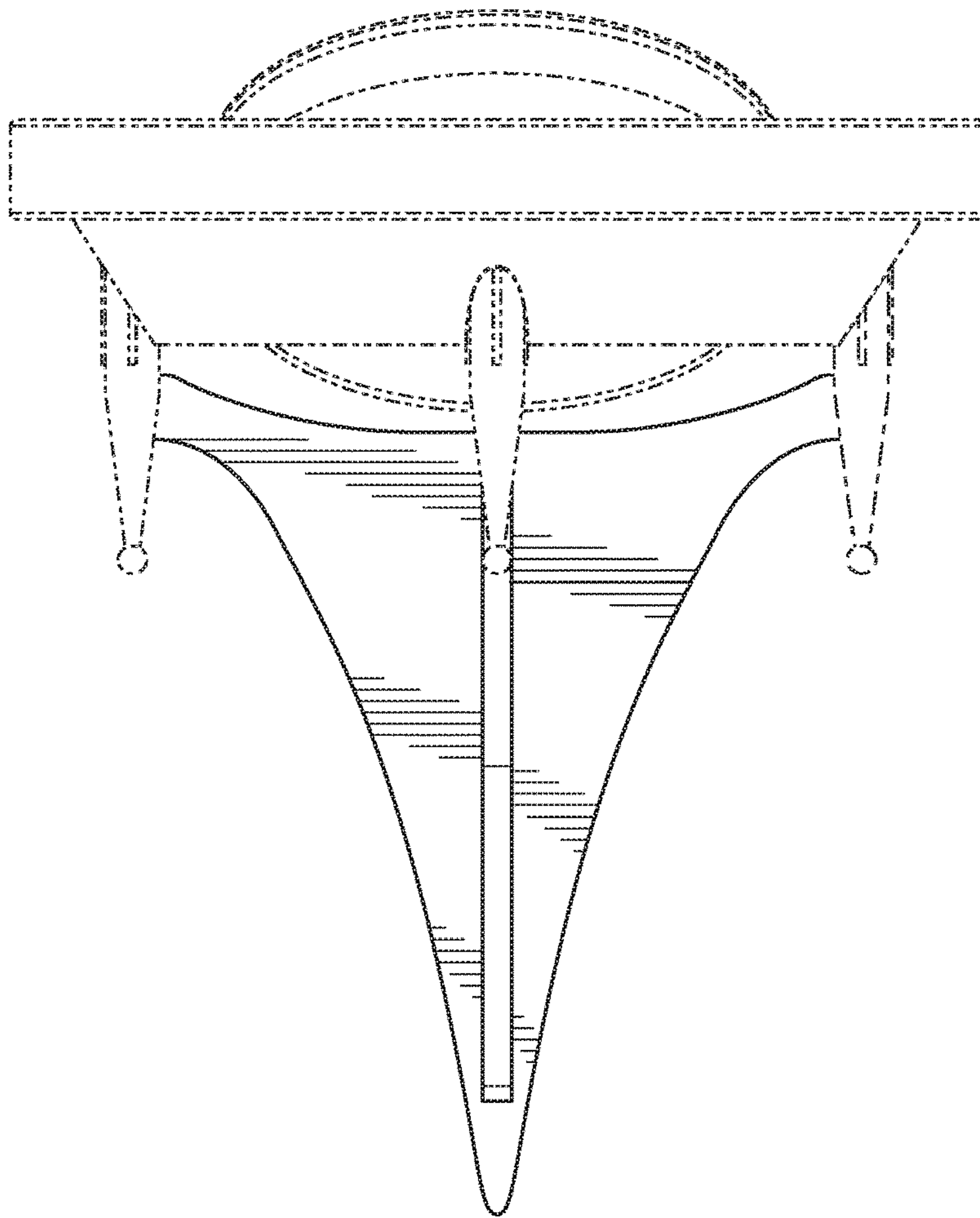


FIG. 13

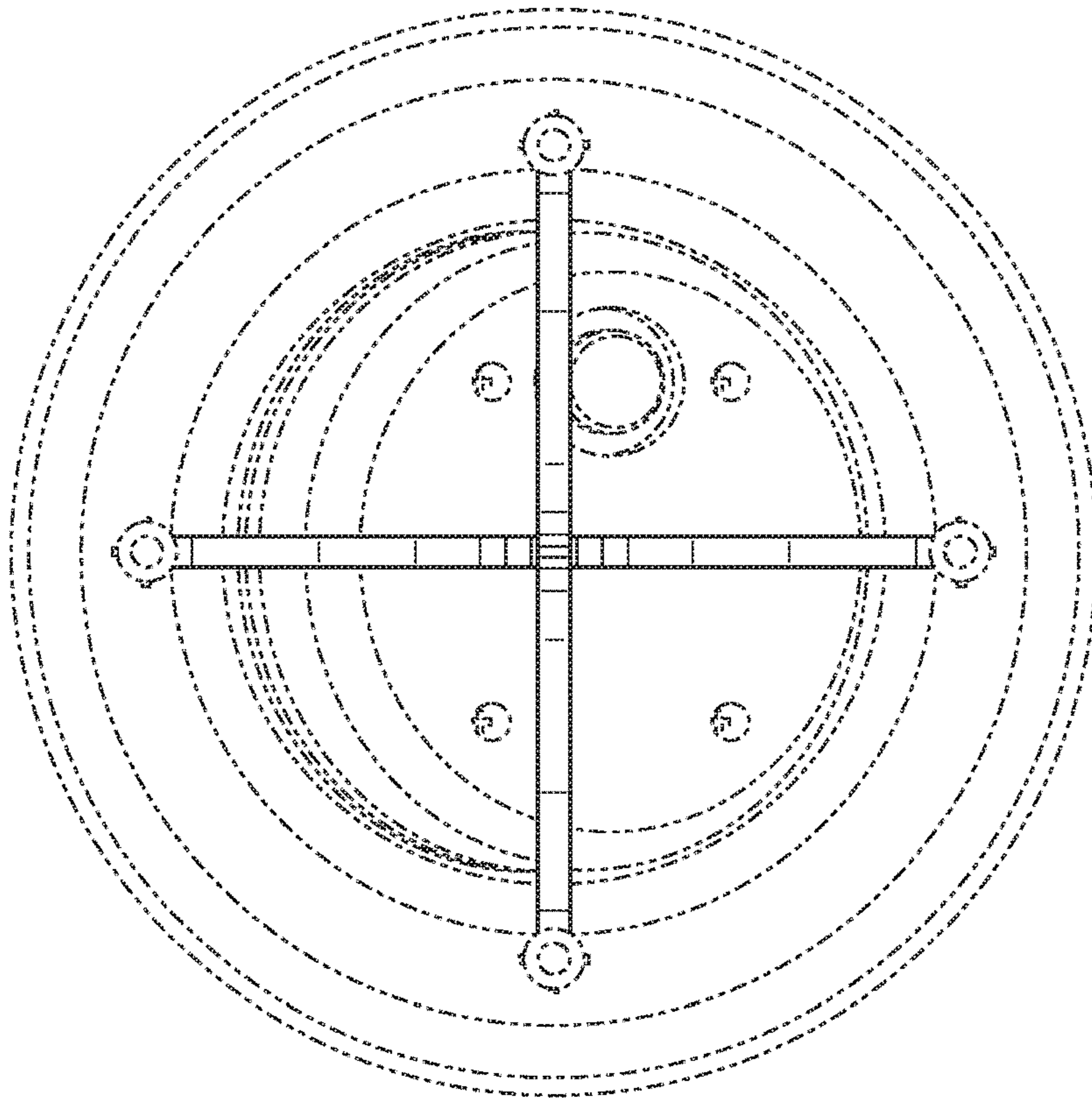


FIG. 14