



US00D841876S

(12) **United States Design Patent**
Huang

(10) **Patent No.:** **US D841,876 S**

(45) **Date of Patent:** **** Feb. 26, 2019**

(54) **LIGHT STRIP**

(71) Applicant: **Xiaoxia Huang**, Guangdong (CN)

(72) Inventor: **Xiaoxia Huang**, Guangdong (CN)

(**) Term: **15 Years**

(21) Appl. No.: **29/616,557**

(22) Filed: **Sep. 7, 2017**

(51) **LOC (11) Cl.** **26-05**

(52) **U.S. Cl.**
USPC **D26/138**

(58) **Field of Classification Search**
USPC D26/28, 30, 31, 118, 2, 73, 74, 75, 76,
D26/78, 122, 121, 138, 136, 137,
D26/139-145, 155, 71, 60, 68, 113
CPC F21V 31/03; F21V 7/0083; F21V 29/004;
B60Q 1/04; B60Q 1/26
See application file for complete search history.

(56) **References Cited**

U.S. PATENT DOCUMENTS

D147,357 S *	8/1947	Watkins	D26/78
D198,183 S *	5/1964	Akely	D26/71
D447,266 S *	8/2001	Verfuert	D26/76
D612,528 S *	3/2010	McGrath	D26/76
D675,365 S *	1/2013	Beghelli	D26/78
D681,869 S *	5/2013	Goelz	D26/138
D756,016 S *	5/2016	Hargreaves	D26/79
D757,325 S *	5/2016	Stanley	D26/76

D757,327 S *	5/2016	Reynolds	D26/77
D769,517 S *	10/2016	Maas	F21V 11/02
				D26/138
D791,999 S *	7/2017	Hargreaves	D26/76
D797,344 S *	9/2017	Yorio	D26/78
D811,649 S *	2/2018	Cai	D26/138
2013/0094230 A1 *	4/2013	Verfuert	F21V 21/112
				362/396

* cited by examiner

Primary Examiner — Mark A Goodwin

Assistant Examiner — Benjamin M Weeks

(74) *Attorney, Agent, or Firm* — Li & Cai Intellectual Property (USA) Office

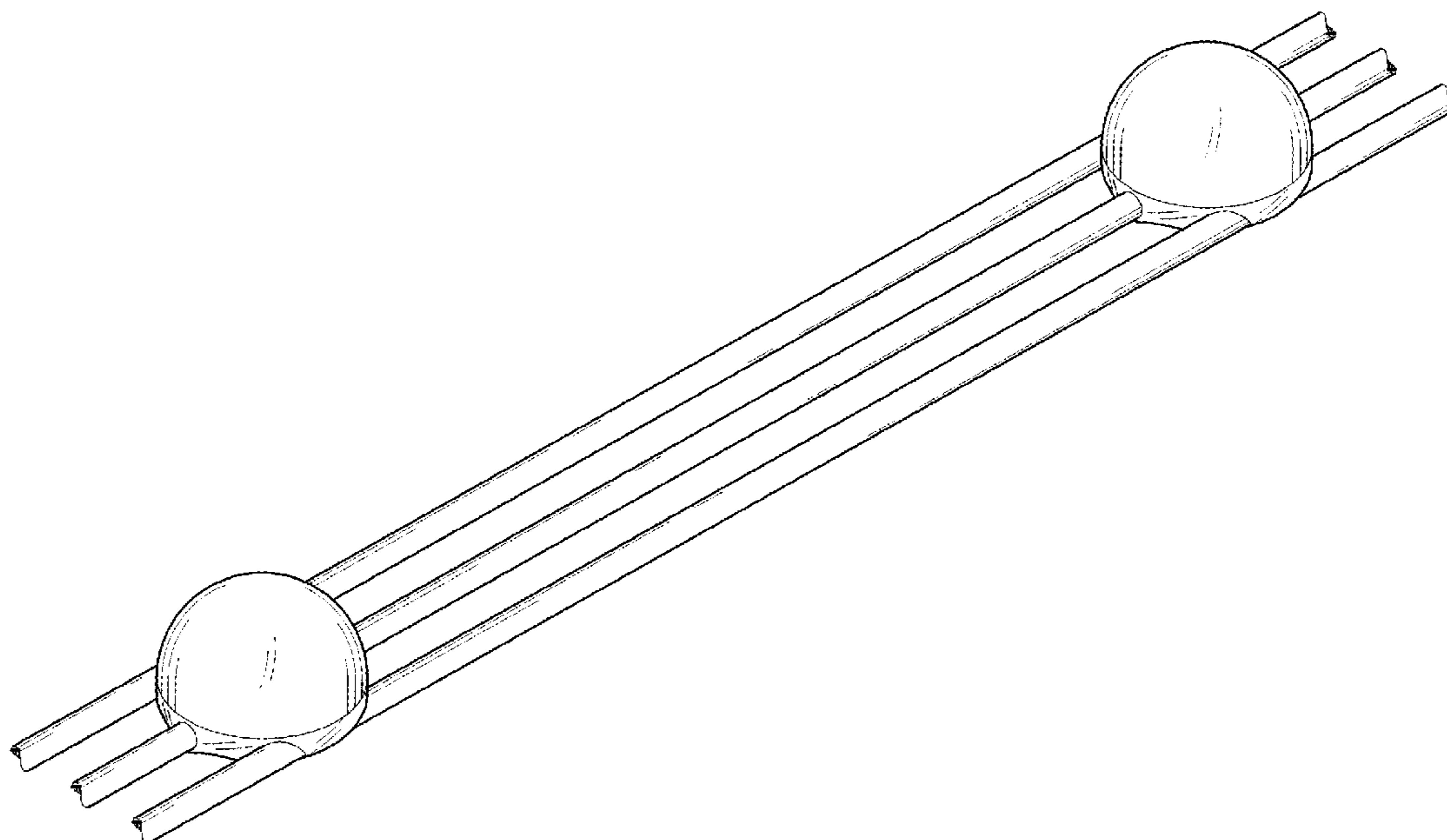
(57) **CLAIM**

The ornamental design for a “light strip,” as shown and described.

DESCRIPTION

FIG. 1 is a perspective view of a light strip showing my new design;
FIG. 2 is a front view thereof;
FIG. 3 is a rear view thereof;
FIG. 4 is a left side view thereof;
FIG. 5 is a right side view thereof;
FIG. 6 is a top view thereof;
FIG. 7 is a bottom view thereof; and,
FIG. 8 is a perspective view viewed from another visual angle thereof.

1 Claim, 5 Drawing Sheets



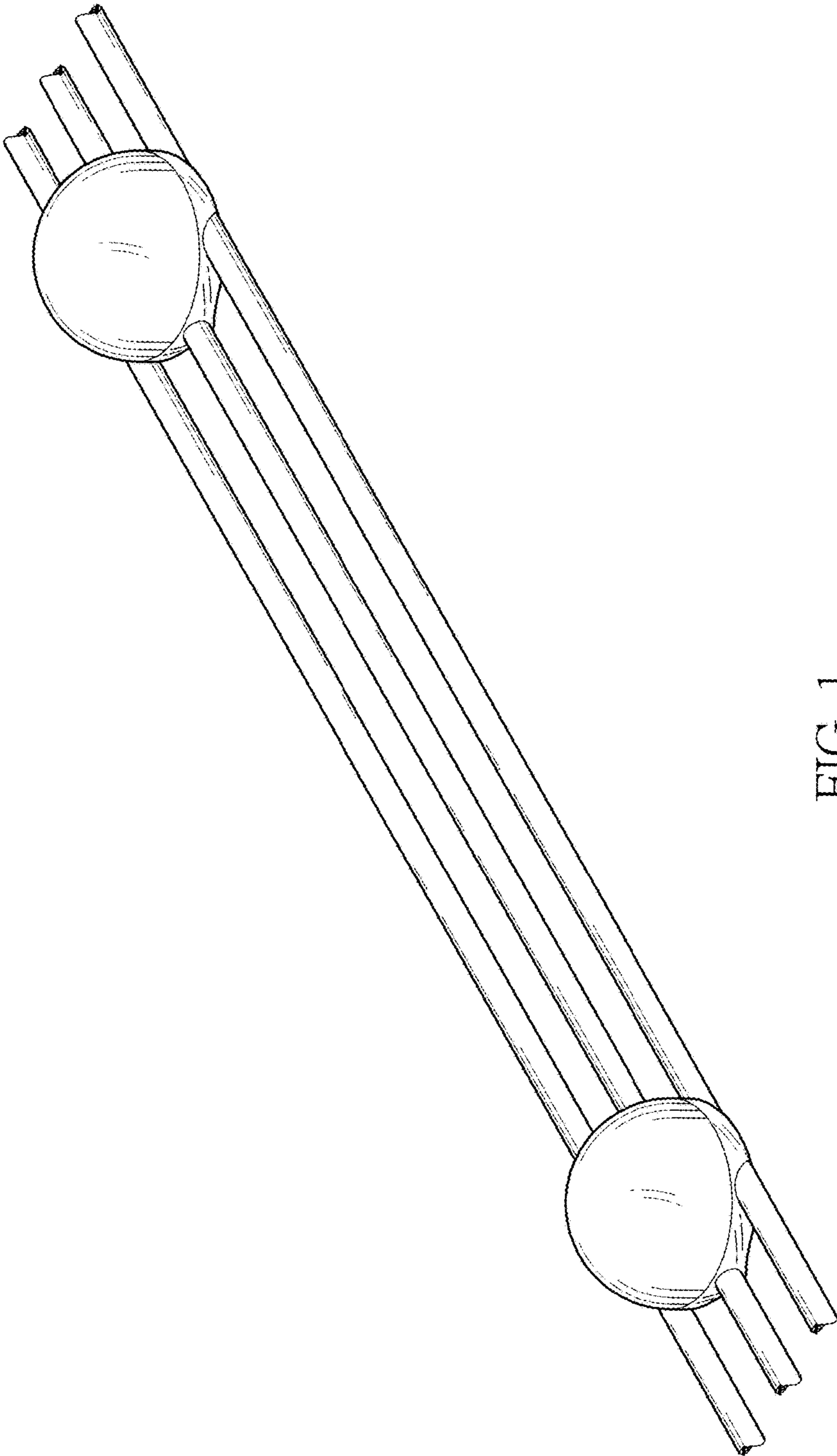


FIG. 1

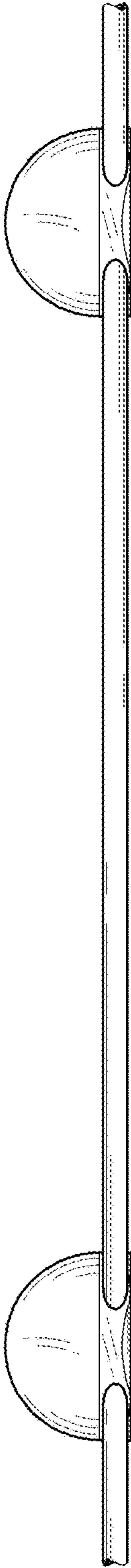


FIG. 2

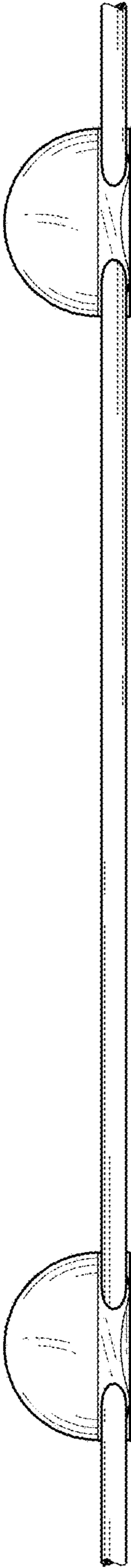


FIG. 3

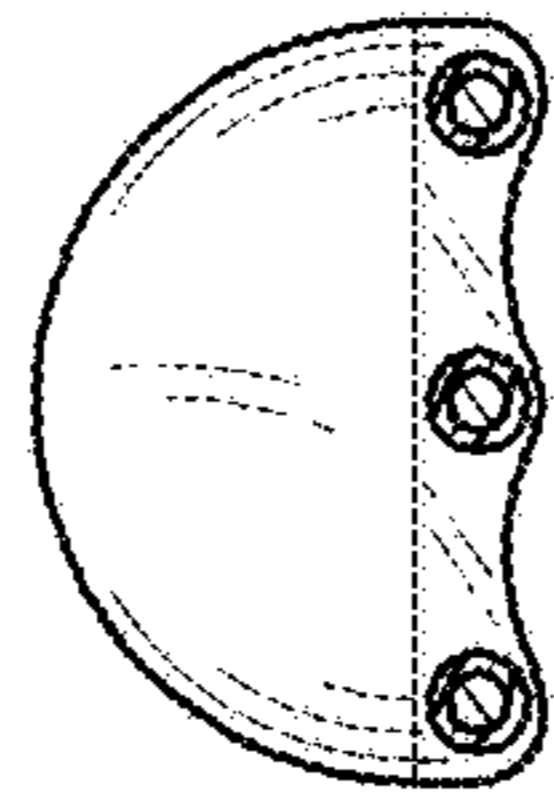


FIG. 5

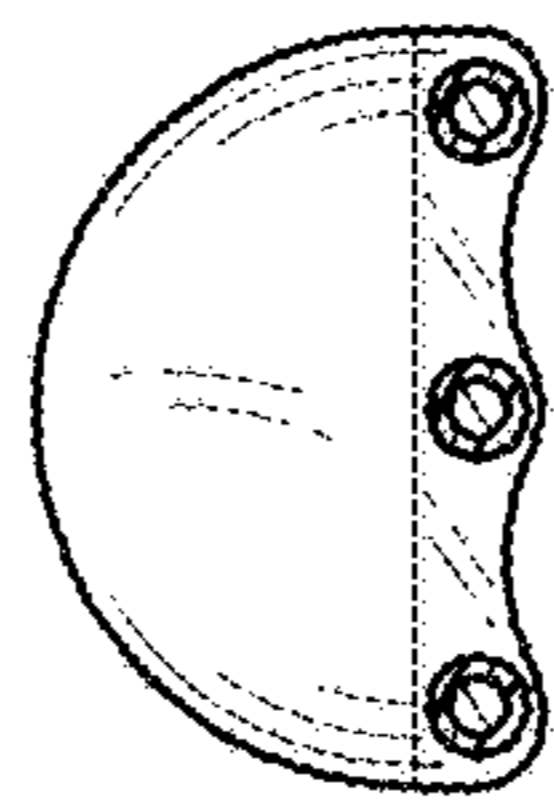


FIG. 4

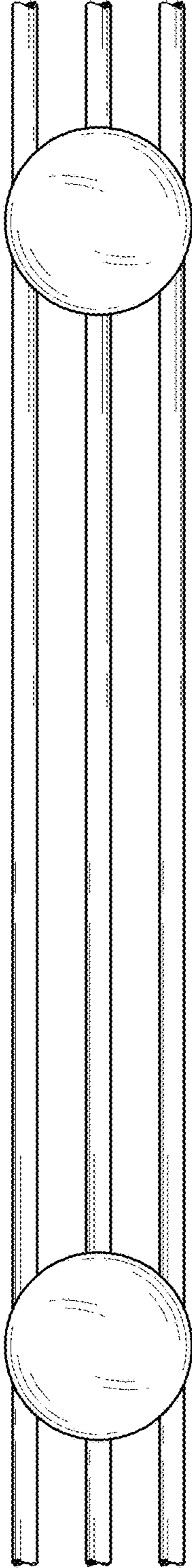


FIG. 6

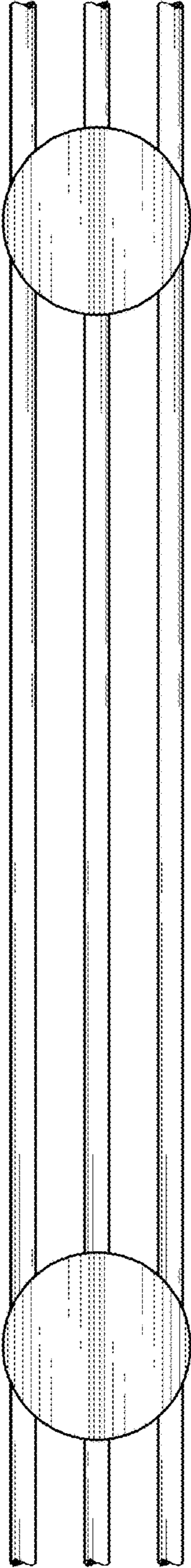


FIG. 7

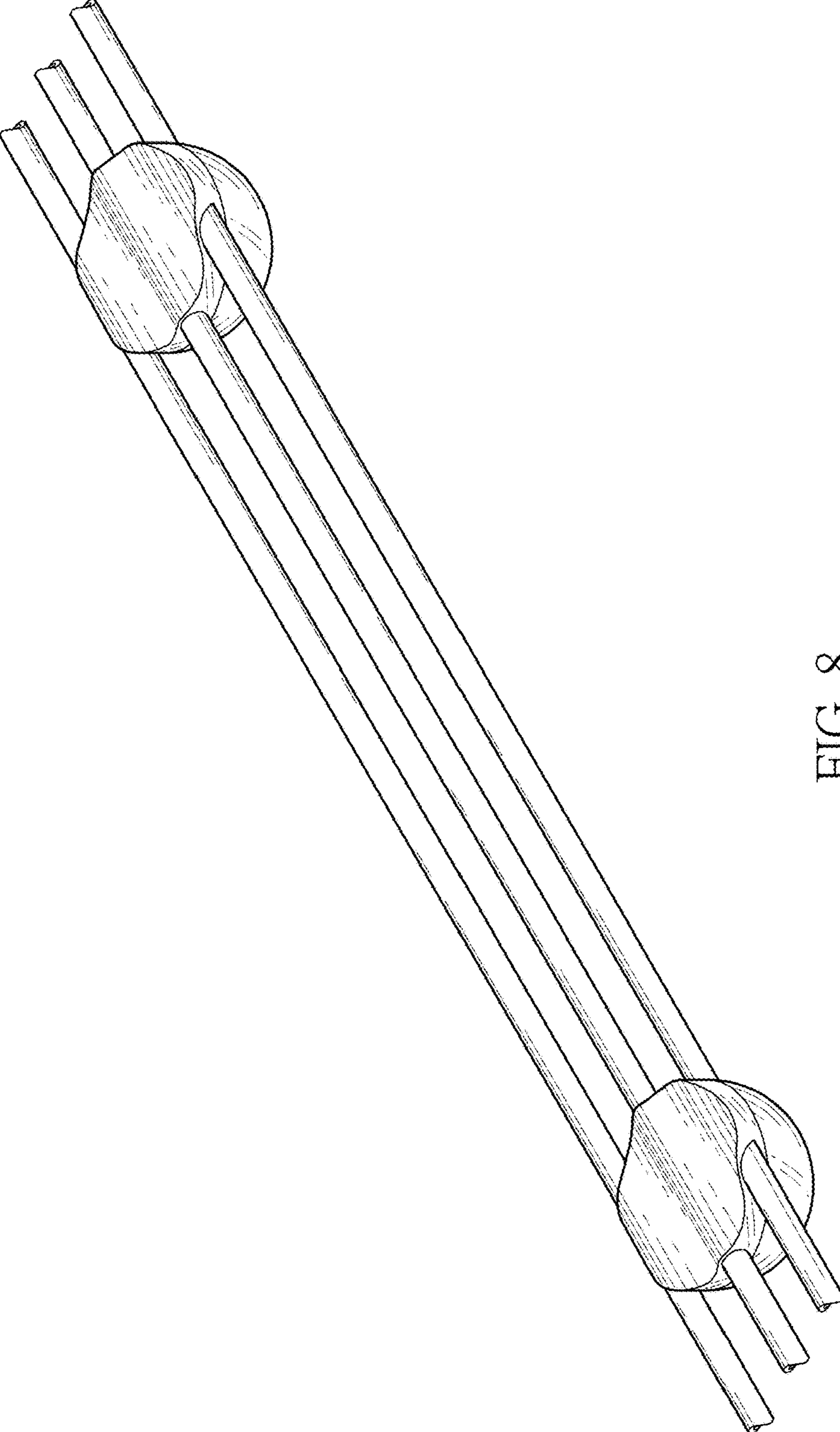


FIG. 8