



US00D841873S

(12) **United States Design Patent**
Hollinger

(10) **Patent No.:** **US D841,873 S**

(45) **Date of Patent:** **** Feb. 26, 2019**

(54) **SWIVEL DISK LIGHT**

(71) Applicant: **E. MISHAN & SONS, INC.**, New York, NY (US)

(72) Inventor: **Fred Hollinger**, Monroe Township, NJ (US)

(73) Assignee: **E. MISHAN & SONS, INC.**, New York, NY (US)

(**) Term: **15 Years**

(21) Appl. No.: **29/662,559**

(22) Filed: **Sep. 6, 2018**

(51) **LOC (11) Cl.** **26-99**

(52) **U.S. Cl.**
USPC **D26/118; D26/67**

(58) **Field of Classification Search**
USPC D26/61, 63, 67, 68, 85, 113, 118, 131, D26/142
CPC F21S 8/032; F21S 8/081; F21S 9/03; F21S 9/037; F21V 21/0824; F21W 2111/02; F21W 2111/023; F21W 2111/06; F21W 2131/109

See application file for complete search history.

(56) **References Cited**

U.S. PATENT DOCUMENTS

4,835,664 A 5/1989 Wen
5,055,984 A 10/1991 Hung et al.
6,013,985 A 1/2000 Green et al.

(Continued)

FOREIGN PATENT DOCUMENTS

CN 200830247356.0 11/2009
CN 201530557956.7 6/2016

(Continued)

OTHER PUBLICATIONS

<https://www.amazon.com/dp/B01KY7808S>, "CST Lighting Solar Ground Light 4-Pack, for Garden Landscape Lighting, Pathway, Stairway", Aug. 24, 2016.

<https://www.amazon.com/Powered-Waterproof-Landscape-Lighting-Driveway/dp/B07125KXLW/> "NUMARDA 4Pcs 4 LED Solar Powered Ground Lights Outdoor lamp Waterproof LED Solar Path Lights Garden Landscape Spike Lighting for Yard Driveway Lawn Pathway—White", May 26, 2017.

(Continued)

Primary Examiner — Brian N. Vinson

(74) *Attorney, Agent, or Firm* — Notaro, Michalos & Zaccaria P.C.

(57) **CLAIM**

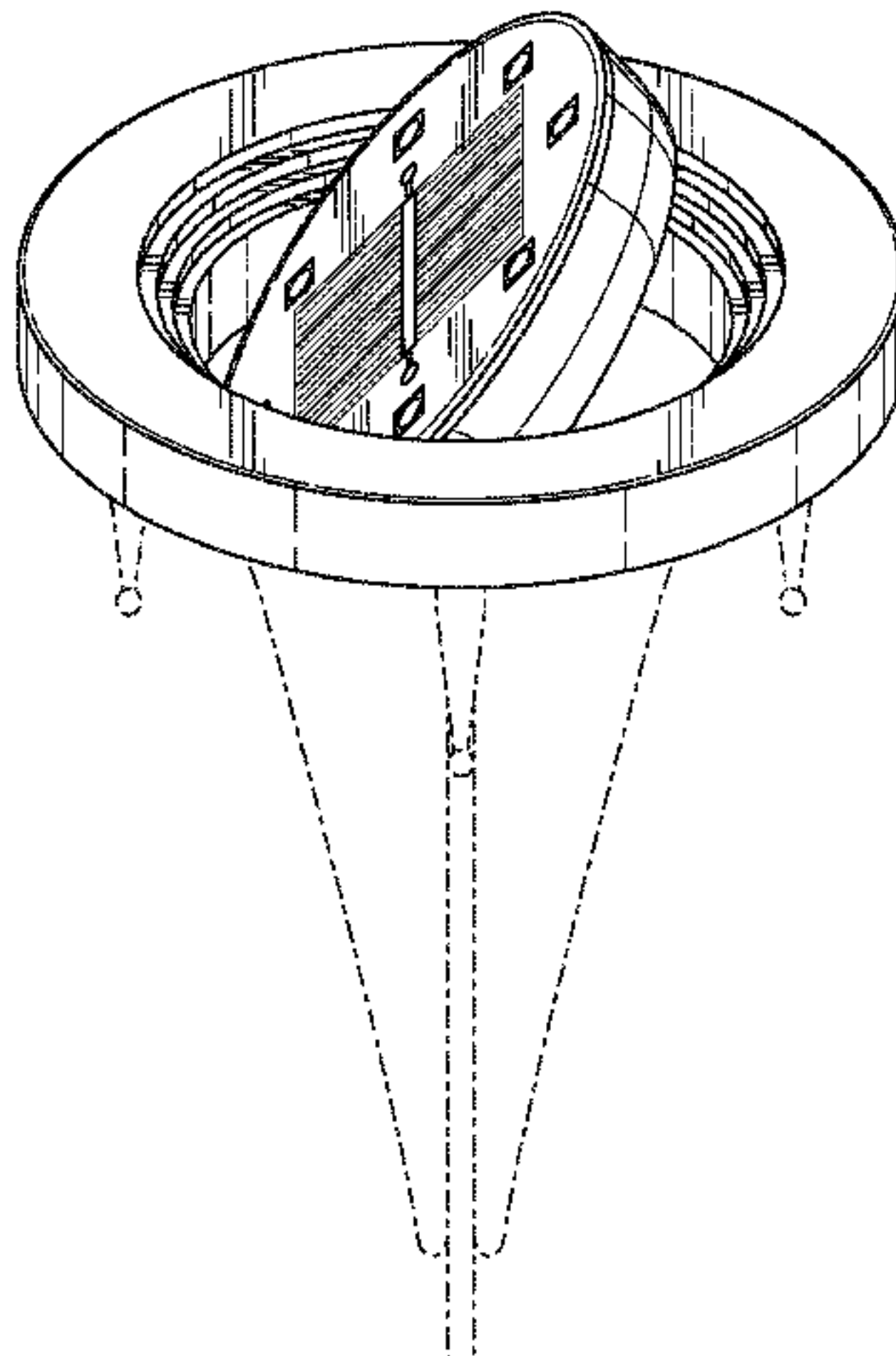
The ornamental design for a swivel disk light, as shown and described.

DESCRIPTION

FIG. 1 is a front, top perspective view of a swivel disk light showing my design therefor;
FIG. 2 is a bottom perspective view thereof;
FIG. 3 is a front elevational view thereof;
FIG. 4 is a rear elevational view thereof;
FIG. 5 is a left side view thereof;
FIG. 6 is a right side view thereof;
FIG. 7 is a top plan view thereof;
FIG. 8 is a bottom plan view thereof;
FIG. 9 is a front, top perspective view of a second embodiment showing the disk in a rotated orientation;
FIG. 10 bottom perspective view of the second embodiment showing the disk in a rotated orientation;
FIG. 11 is a front elevational view of the second embodiment showing the disk in a rotated orientation;
FIG. 12 is a rear elevational view of the second embodiment showing the disk in a rotated orientation;
FIG. 13 is a left side view of the second embodiment showing the disk in a rotated orientation;
FIG. 14 is a right side view of the second embodiment showing the disk in a rotated orientation;
FIG. 15 is a top plan view of the second embodiment showing the disk in a rotated orientation; and,
FIG. 16 is a bottom plan of the second embodiment showing the disk in a rotated orientation.

Throughout the drawings, broken lines show environment only and form no part of the claimed design.

1 Claim, 16 Drawing Sheets



(56)

References Cited

U.S. PATENT DOCUMENTS

6,131,321 A 10/2000 Daigle, Jr.
 D438,322 S 2/2001 Skradski et al.
 D445,523 S * 7/2001 Skradski D26/68
 D450,150 S 11/2001 Skradski et al.
 D451,618 S 12/2001 Skradski et al.
 D451,619 S 12/2001 Skradski et al.
 6,339,188 B1 1/2002 Voelkner
 6,406,163 B1 6/2002 Yang
 D483,903 S 12/2003 Skradski et al.
 D483,904 S 12/2003 Skradski et al.
 6,729,742 B2 5/2004 Wismeth et al.
 D494,536 S 8/2004 Pu
 D517,717 S 3/2006 Sanoner
 D517,719 S 3/2006 Sanoner
 7,029,144 B2 4/2006 Fu
 7,172,307 B2 2/2007 Izardel
 7,196,477 B2 3/2007 Richmond
 D551,791 S 9/2007 Sanoner
 D555,278 S * 11/2007 Sanoner D26/68
 D556,933 S 12/2007 Sanoner
 D574,104 S 7/2008 Sanoner
 7,429,827 B2 9/2008 Richmond
 7,503,669 B2 3/2009 Rizkin et al.
 7,588,349 B2 9/2009 Yen
 D605,326 S * 12/2009 Sanoner D26/68
 D616,129 S * 5/2010 Sanoner D26/67
 7,887,214 B2 2/2011 Chang et al.
 D642,722 S 8/2011 Oberpriller
 8,186,857 B2 5/2012 Porter
 8,203,285 B2 6/2012 Chen
 8,220,959 B2 7/2012 Rizkin et al.
 8,222,823 B2 7/2012 Hsu
 8,292,452 B2 10/2012 Ko
 8,348,452 B2 1/2013 Zheng
 8,362,700 B2 1/2013 Richmond
 8,454,208 B2 6/2013 Porter
 8,602,585 B1 12/2013 Lowe
 D698,061 S 1/2014 Burke
 8,632,234 B1 1/2014 Lowe
 8,664,866 B2 3/2014 Kay
 8,845,126 B1 9/2014 Martzall
 D743,079 S * 11/2015 Adair D26/67
 9,175,821 B2 11/2015 Adair
 9,222,634 B2 12/2015 Zhu
 9,273,841 B2 3/2016 Philhower et al.
 9,335,013 B2 5/2016 Martzall
 D770,076 S 10/2016 Li et al.
 D777,963 S * 1/2017 Helms D26/63
 9,572,304 B2 2/2017 Harari
 9,657,909 B2 5/2017 Cohen
 D800,940 S 10/2017 Guzzini
 D822,253 S * 7/2018 Wu D26/68

D825,806 S * 8/2018 Jurik D26/63
 D827,174 S * 8/2018 Yu D26/63
 2003/0137831 A1 7/2003 Lin
 2006/0012996 A1 1/2006 Tseng
 2006/0187656 A1 8/2006 Kuelbs et al.
 2007/0002561 A1 1/2007 Tesmer et al.
 2007/0121317 A1 5/2007 Huang et al.
 2007/0263381 A1 11/2007 Goldman et al.
 2009/0027900 A1 1/2009 Janos et al.
 2009/0059572 A1 3/2009 Wang
 2011/0013384 A1 1/2011 Lu
 2011/0310597 A1 12/2011 Lu
 2016/0230972 A1 8/2016 Choi et al.
 2017/0135226 A1 5/2017 Chen
 2017/0184260 A1 6/2017 Munoz Abogabir

FOREIGN PATENT DOCUMENTS

EM 000380670-001 11/2005
 EM 002733949-0041 8/2015
 EM 004362432 9/2017
 EM 004426237 11/2017
 EM 004129617-0001 8/2018

OTHER PUBLICATIONS

<https://www.amazon.com/Powered-Outdoor-Waterproof-Landscape-Lighting/dp/B07BQY5M5H/>, "Hometom Solar Powered Ground Light Outdoor Lights Waterproof LED Solar Path Lights Garden Landscape Lighting—4 Pack", Jun. 8, 2017.
<https://www.amazon.com/Powered-Alvivi-Outdoor-Waterproof-Driveway/dp/B073XLD3KN/>, "Solar Powered Ground Light, Alvivi Outdoor Waterproof Garden Pathway Lights with 4 LEDs, Walkway Lights for Home, Yard, Driveway, Lawn, 4 Pack (White)", Jun. 24, 2017.
<https://www.amazon.com/Wenjuan-Buried-Ground-Outdoor-Decking/dp/B077Z4QT5L/>, "Wenjuan 8 LED Solar Power Buried Light Ground Lamp Outdoor Path Way Garden Decking", Dec. 5, 2017.
<https://www.amazon.com/Underground-Rambling-Waterproof-Outdoor-Decking/dp/B078G56VLP/>, "Solar Underground Light,Rambling 8LED Power Buried Light Under Ground Lamp Waterproof Outdoor Path Way Garden Decking Auto On Off Switch Cool White", Dec. 16, 2017.
<https://www.amazon.com/ONEVER-Lighting-Waterproof-Driveway-Pathway/dp/B078LVV7ZLT/>, "8-LEDs Solar Power Ground Light, ONEVER Spike Lighting Built-in Light Sensor IPX4 Waterproof for Path Floor Yard Driveway Lawn Pathway (Pack of 4X)", Dec. 24, 2017.

* cited by examiner

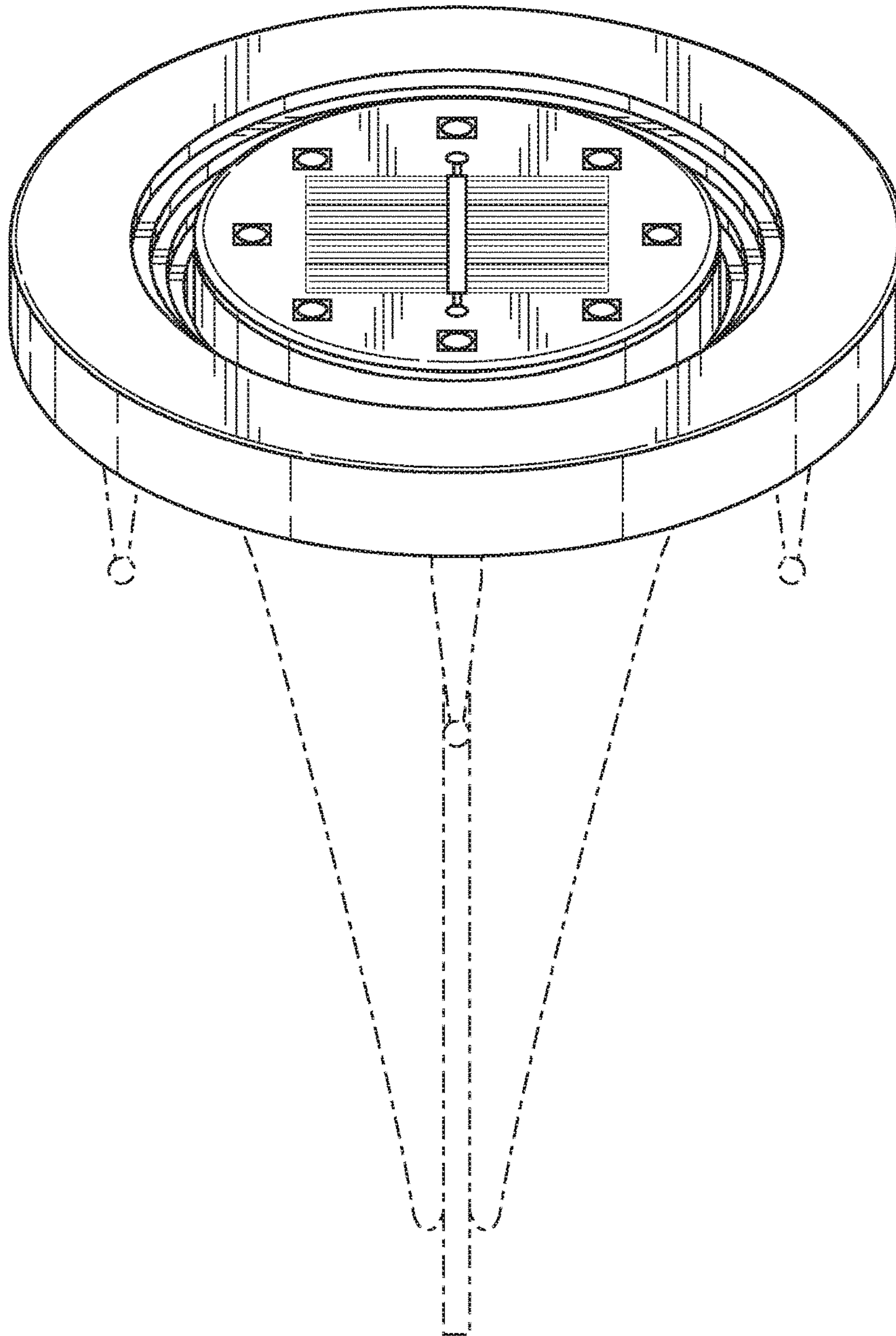


FIG. 1

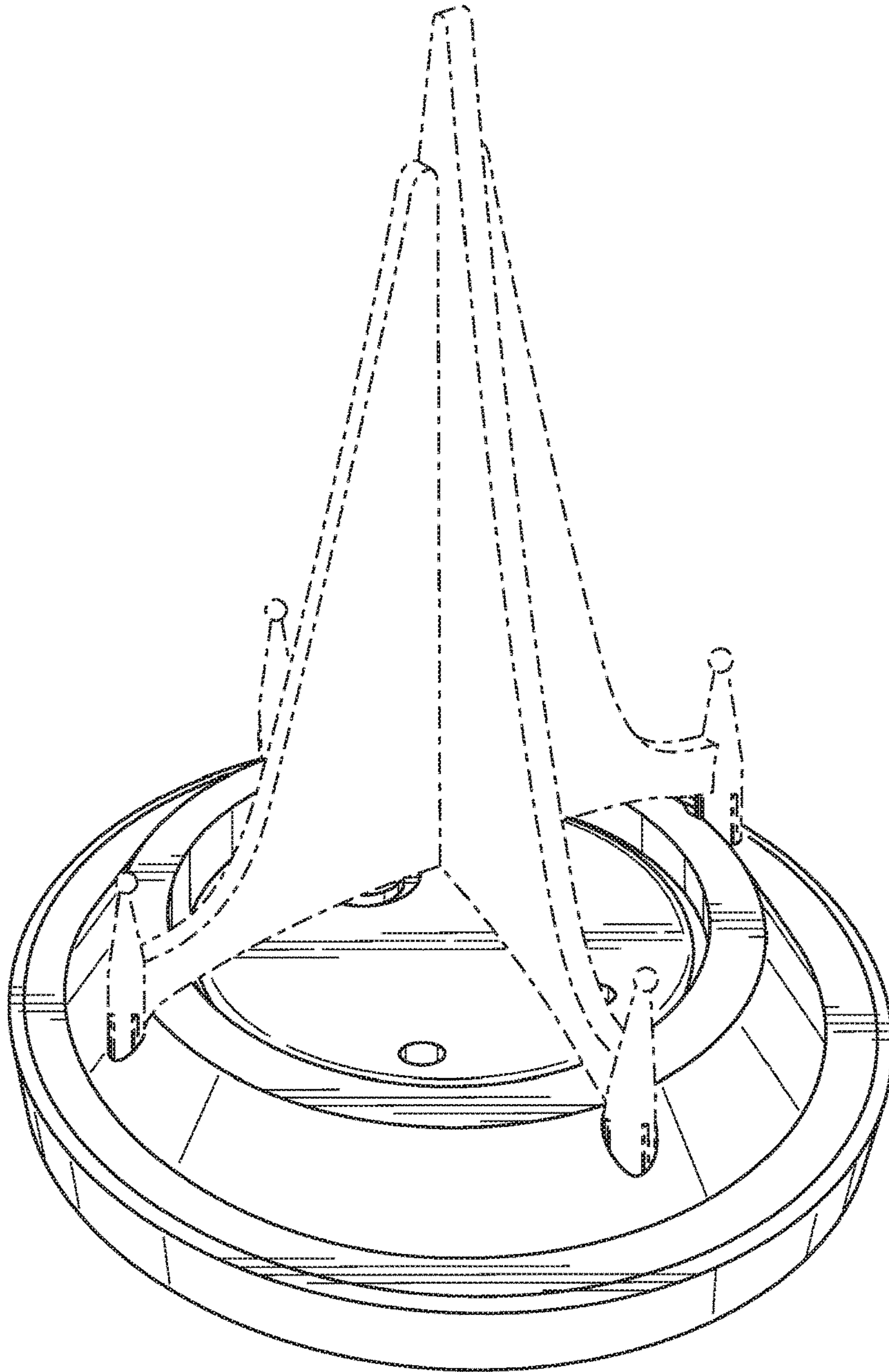


FIG. 2

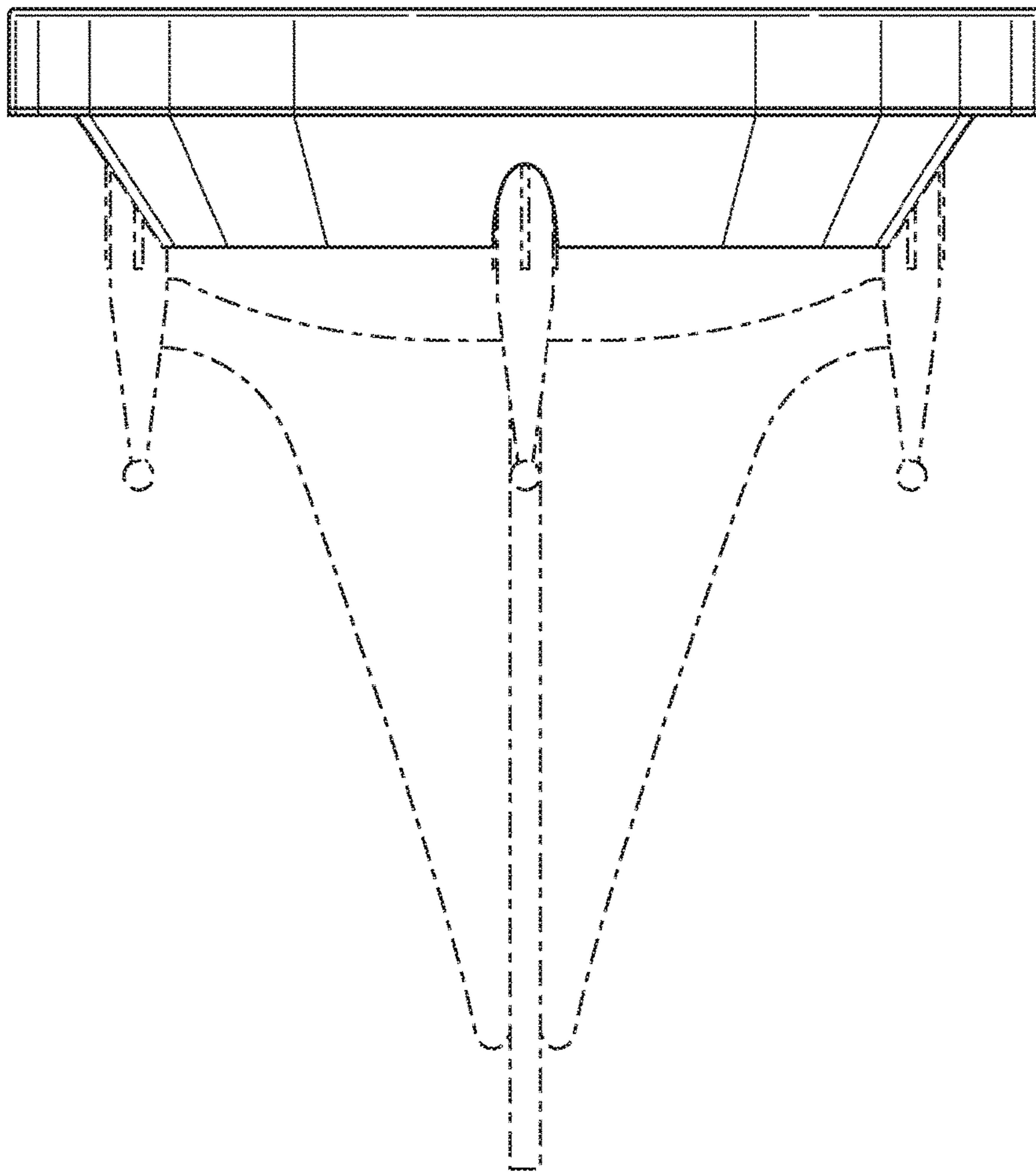


FIG. 3

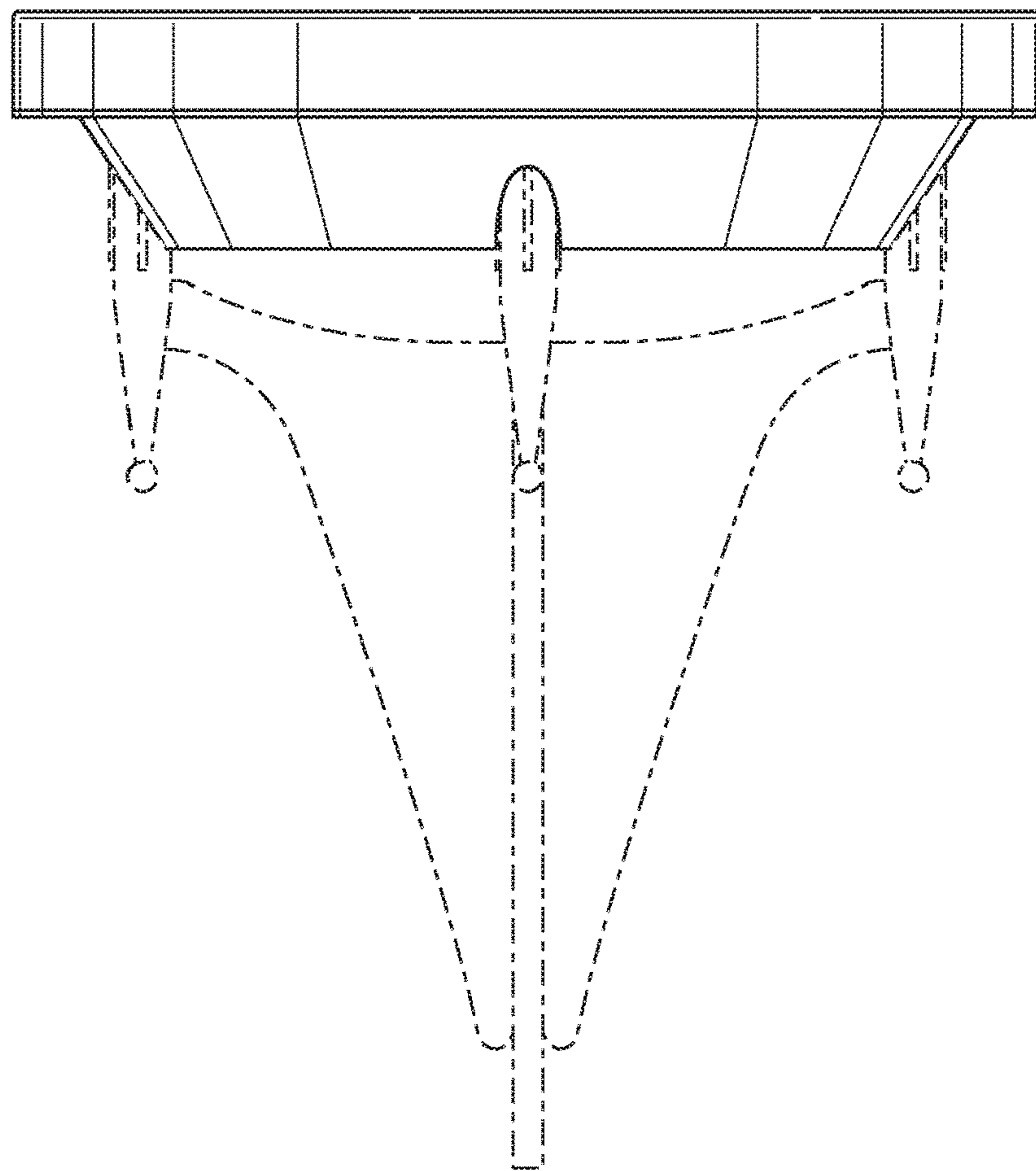


FIG. 4

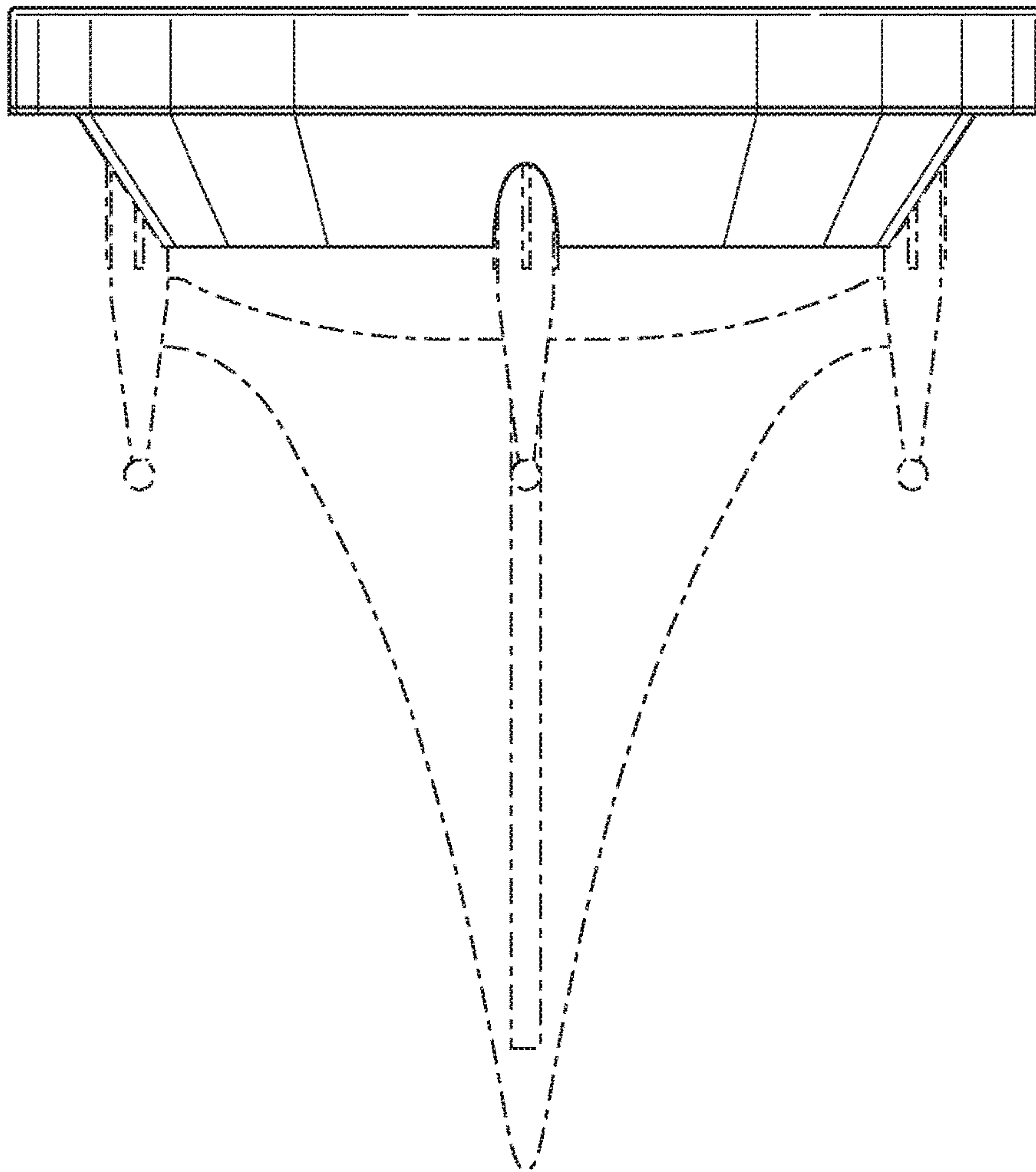


FIG. 5

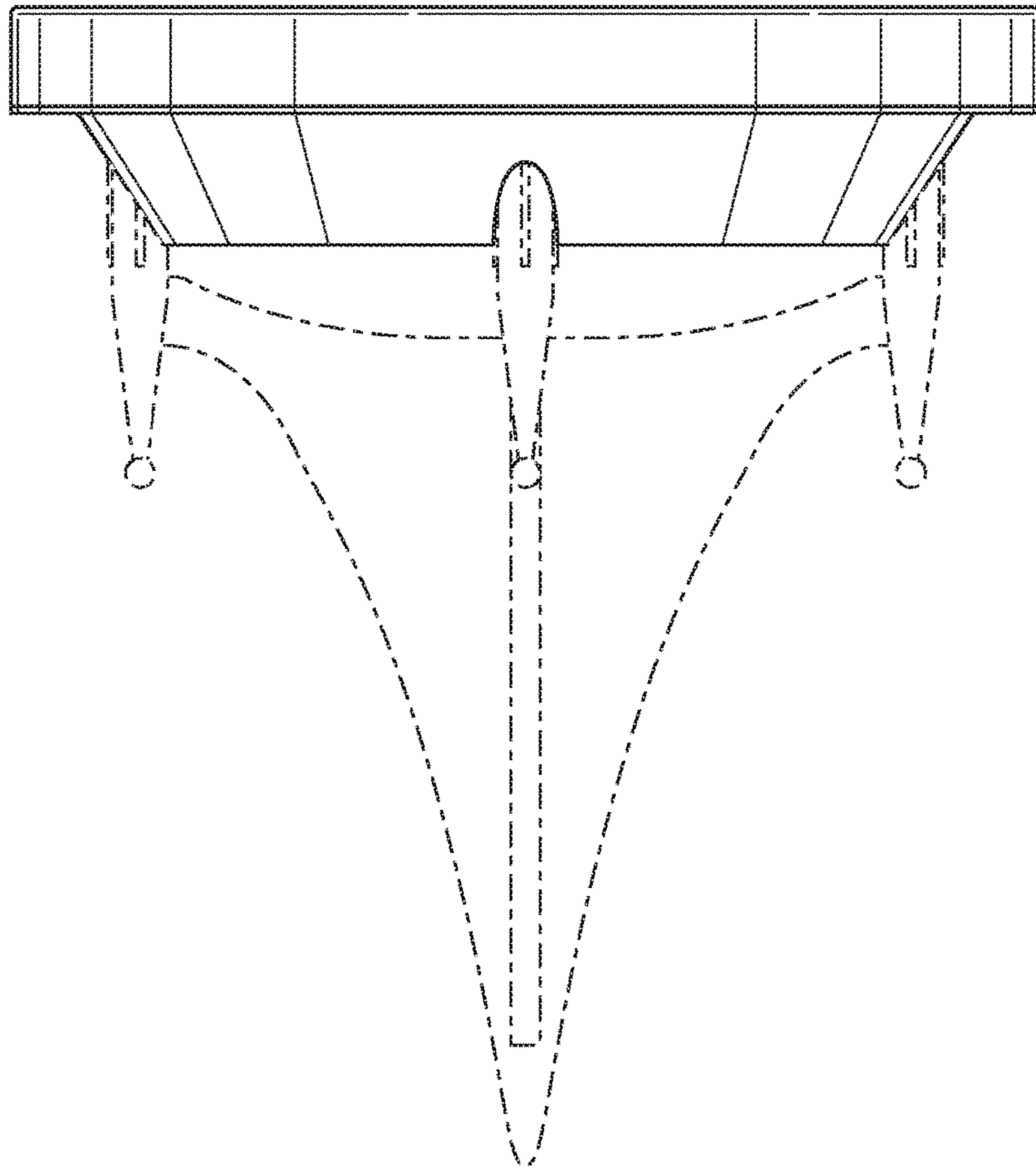


FIG. 6

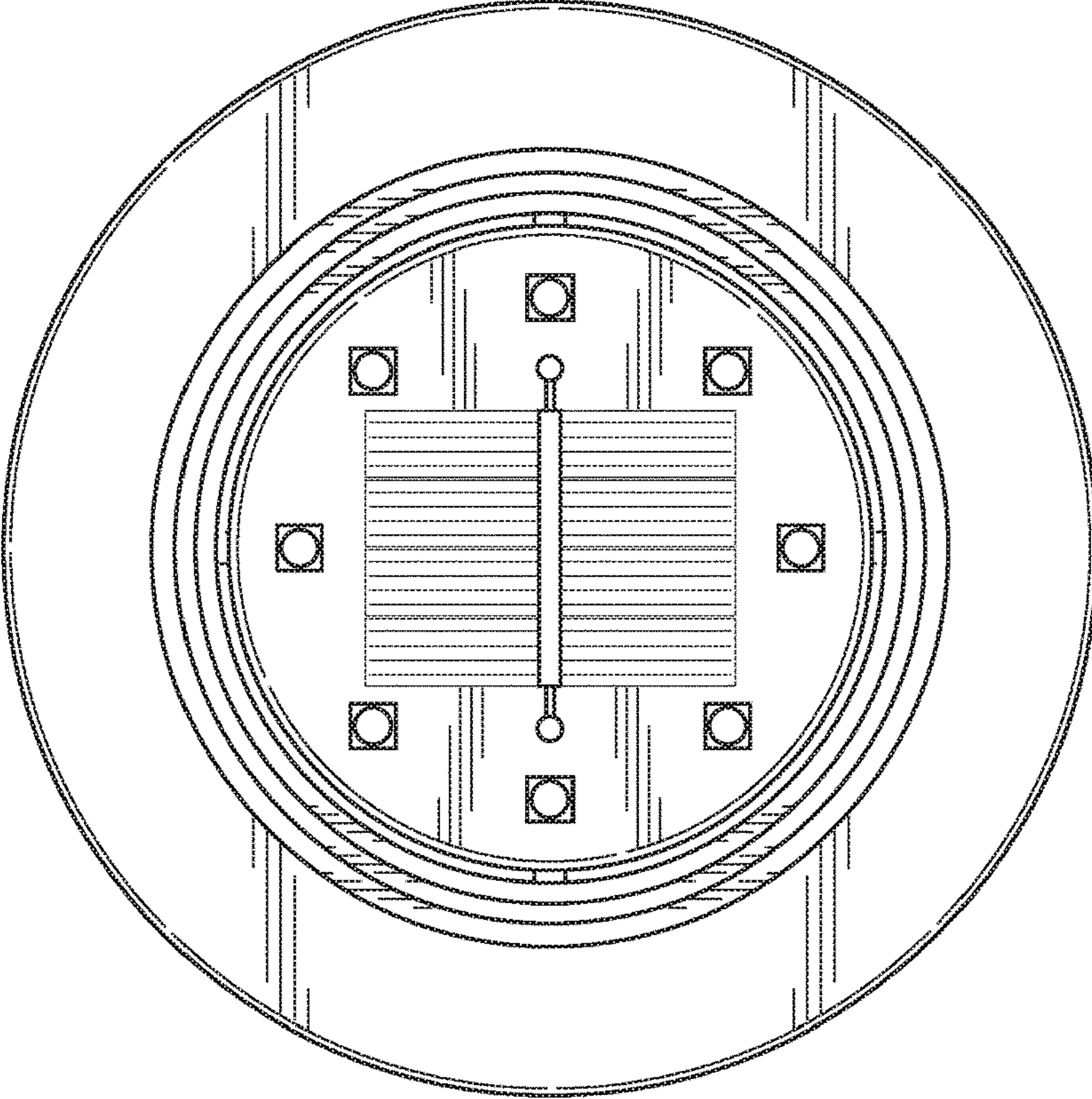


FIG. 7

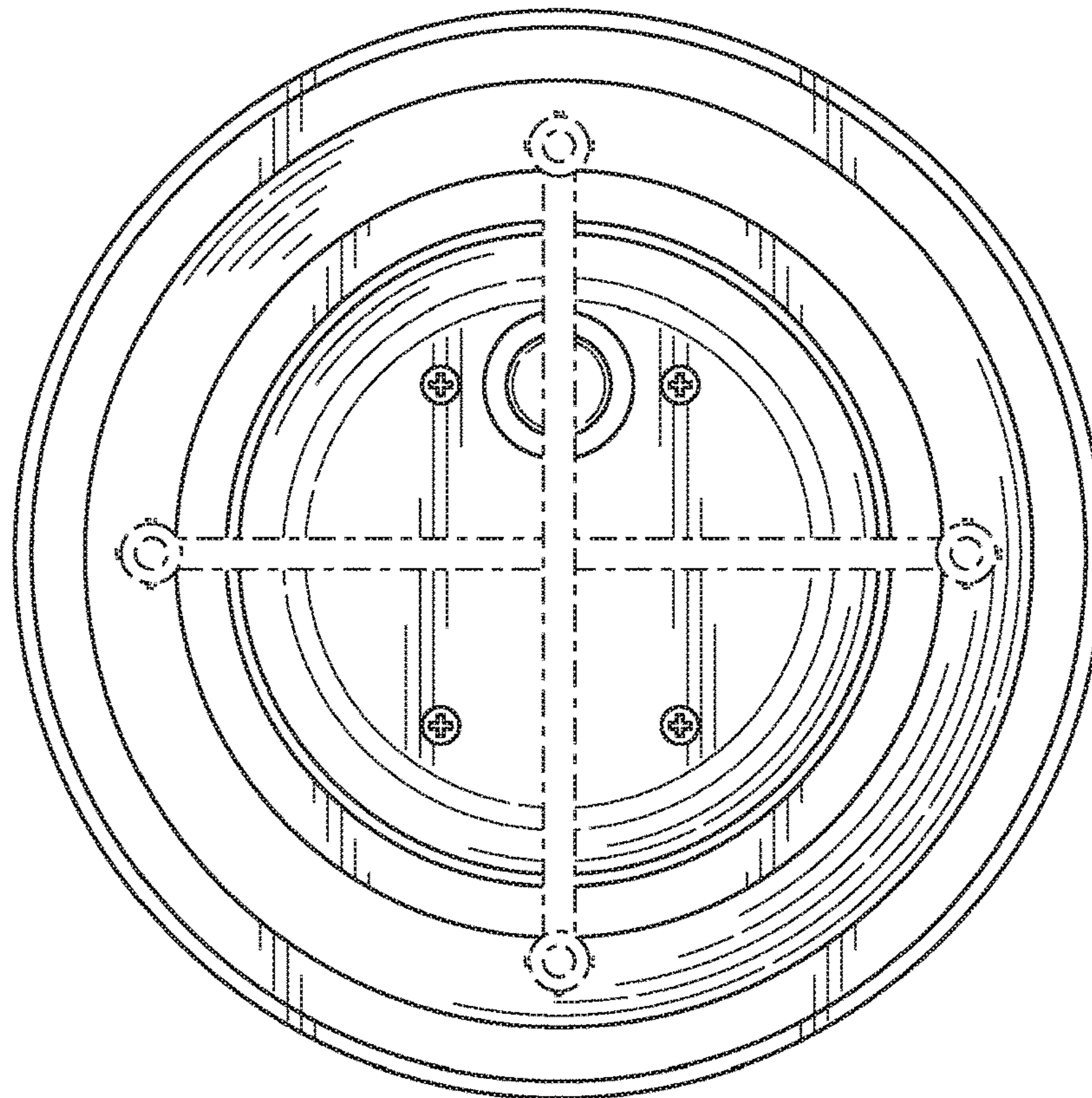


FIG. 8

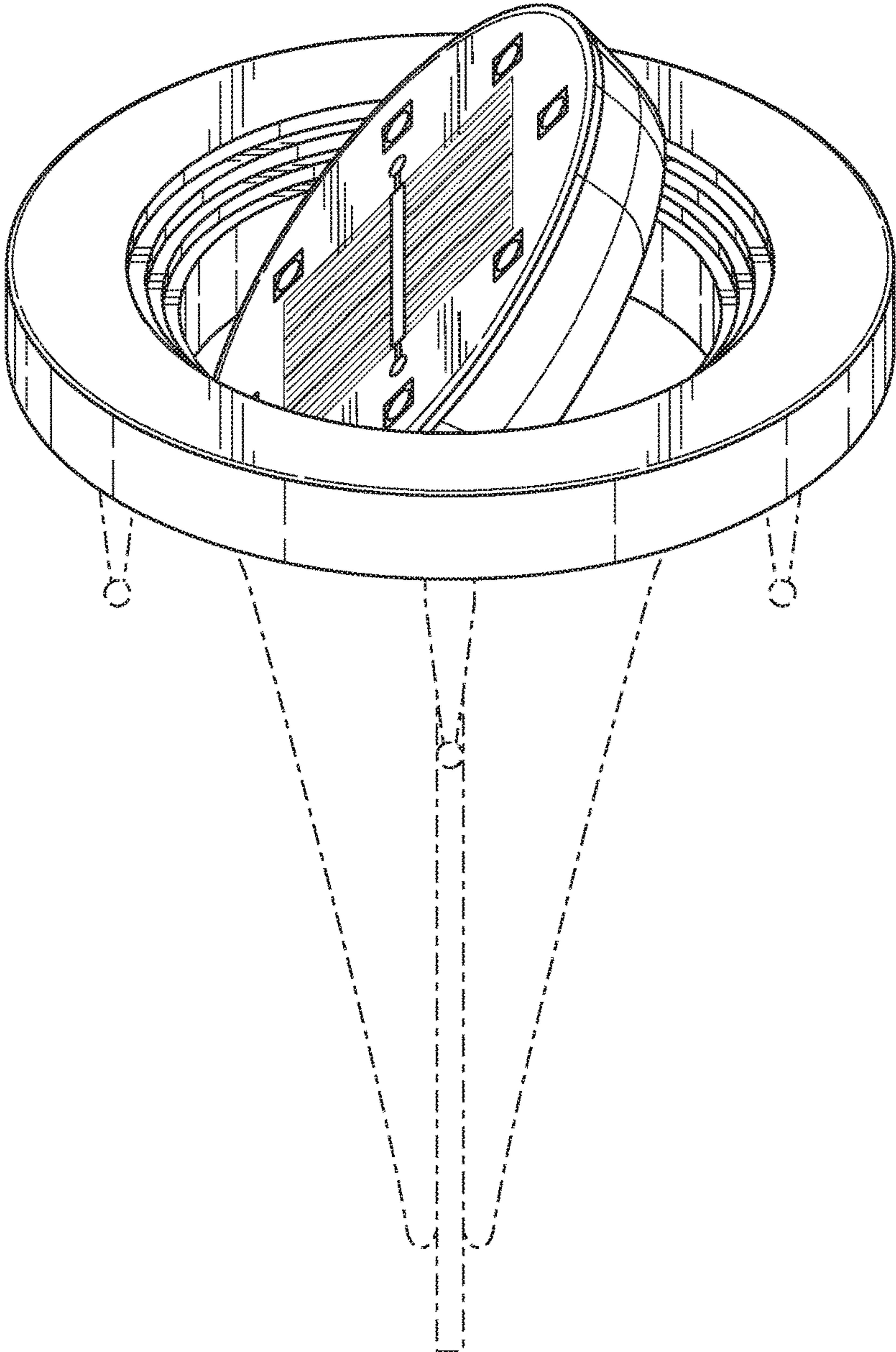


FIG. 9

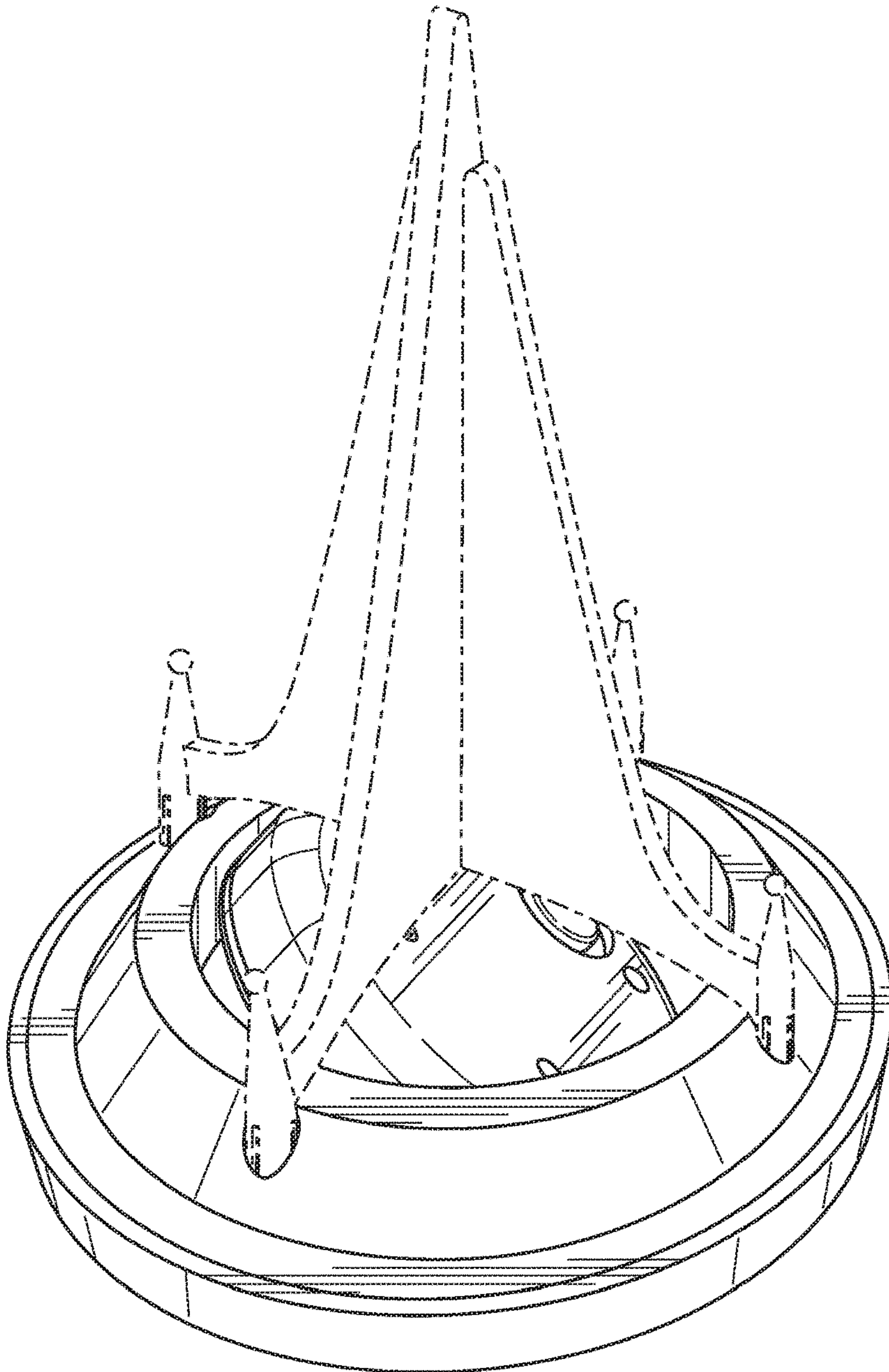


FIG. 10

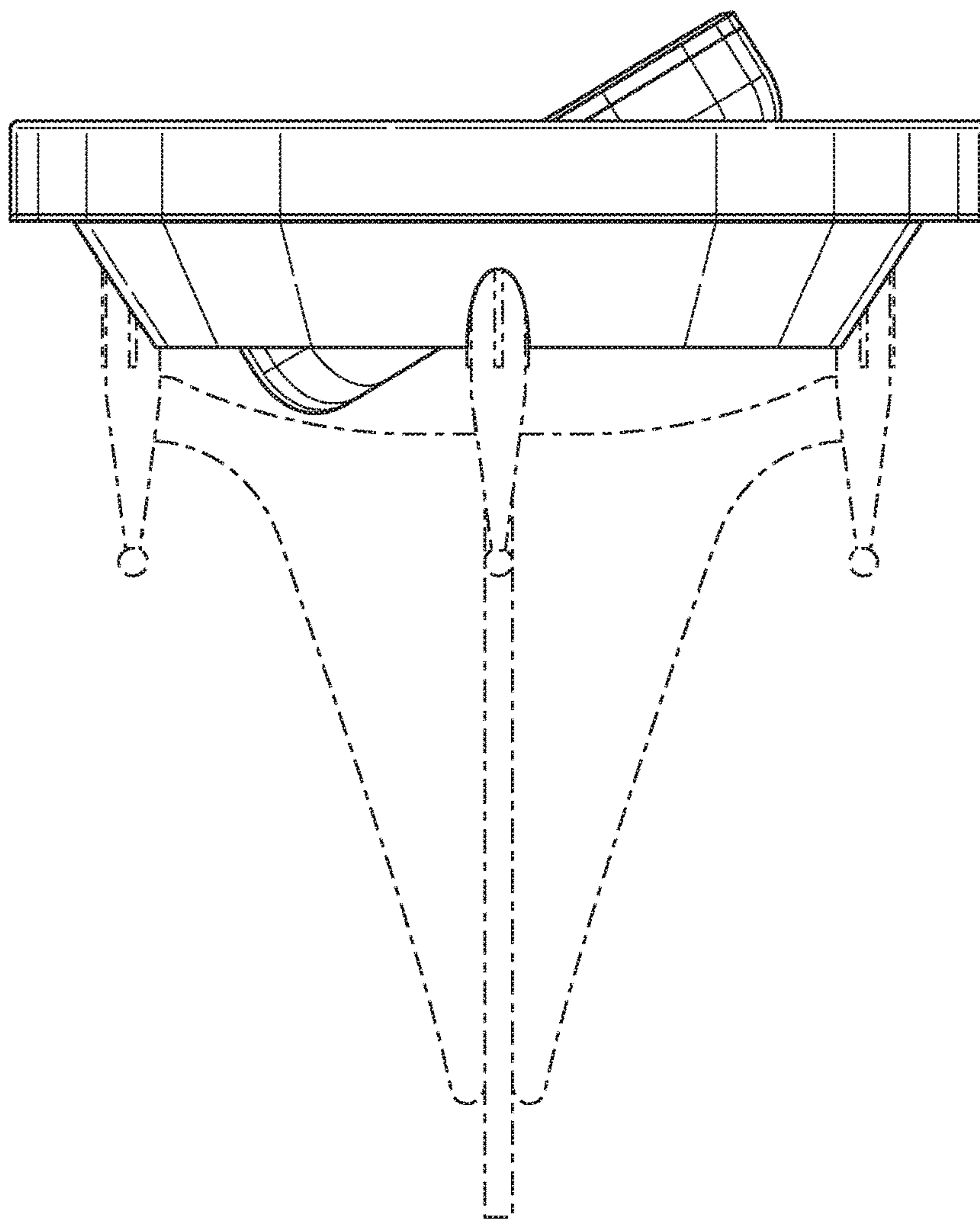


FIG. 11

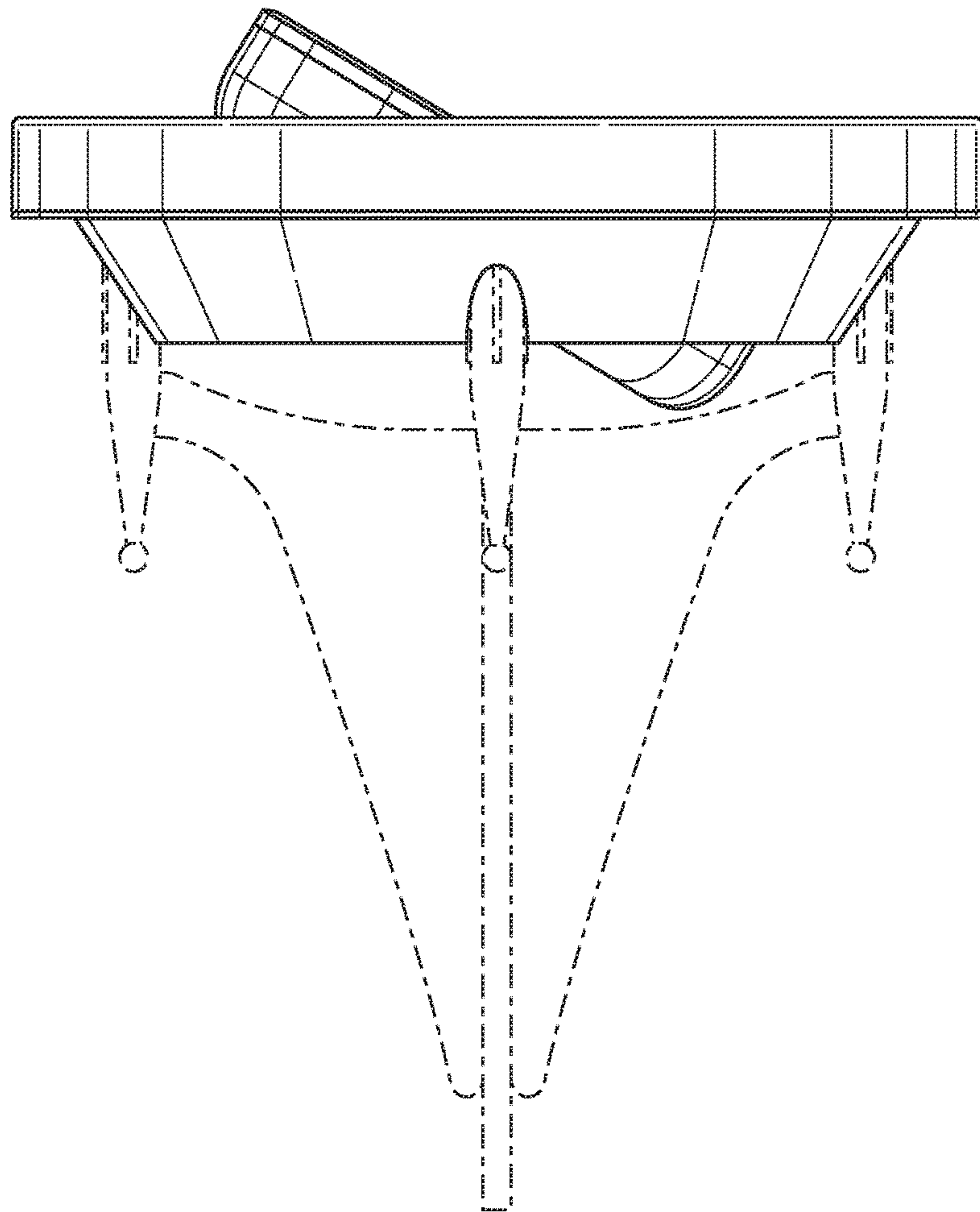


FIG. 12

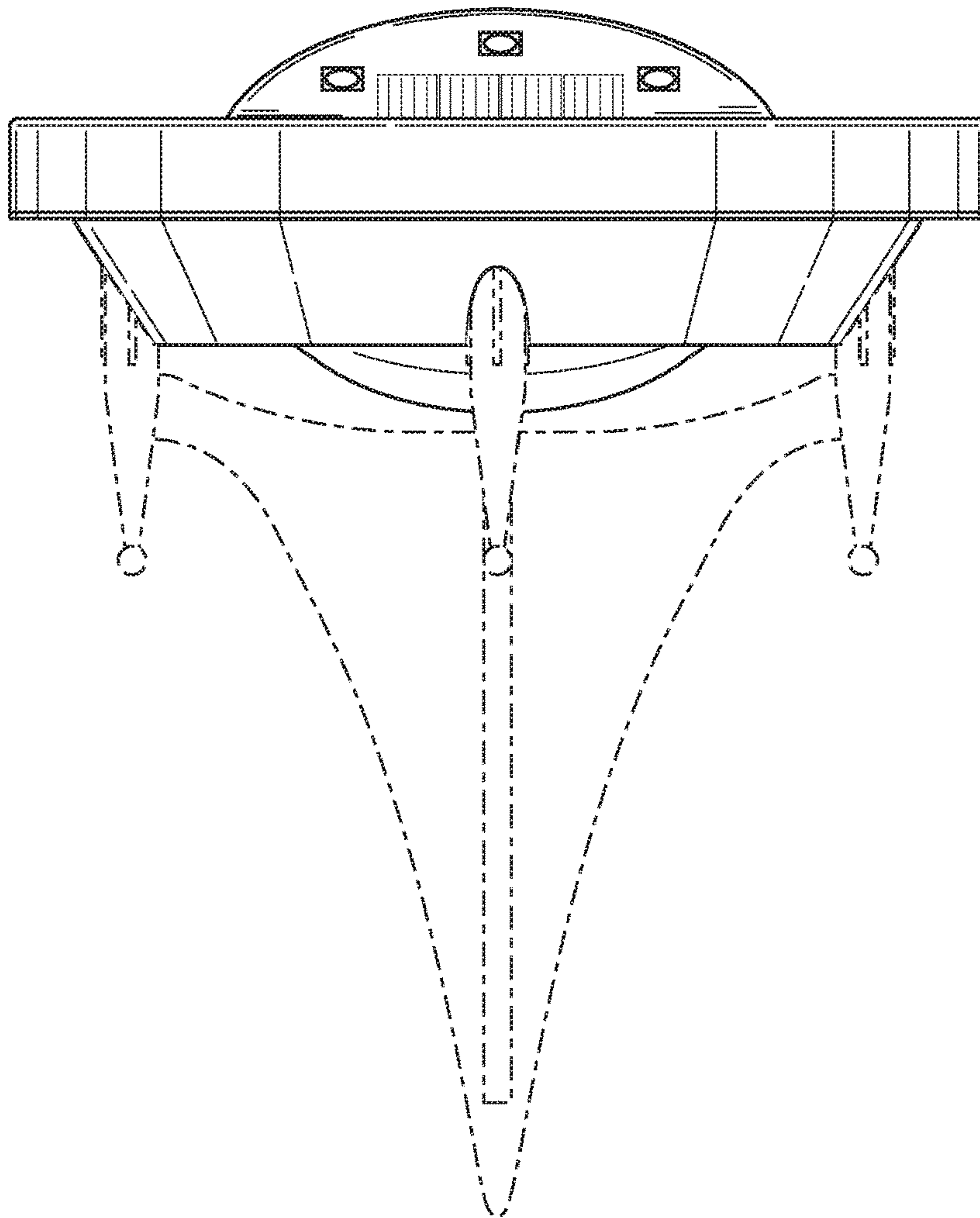


FIG. 13

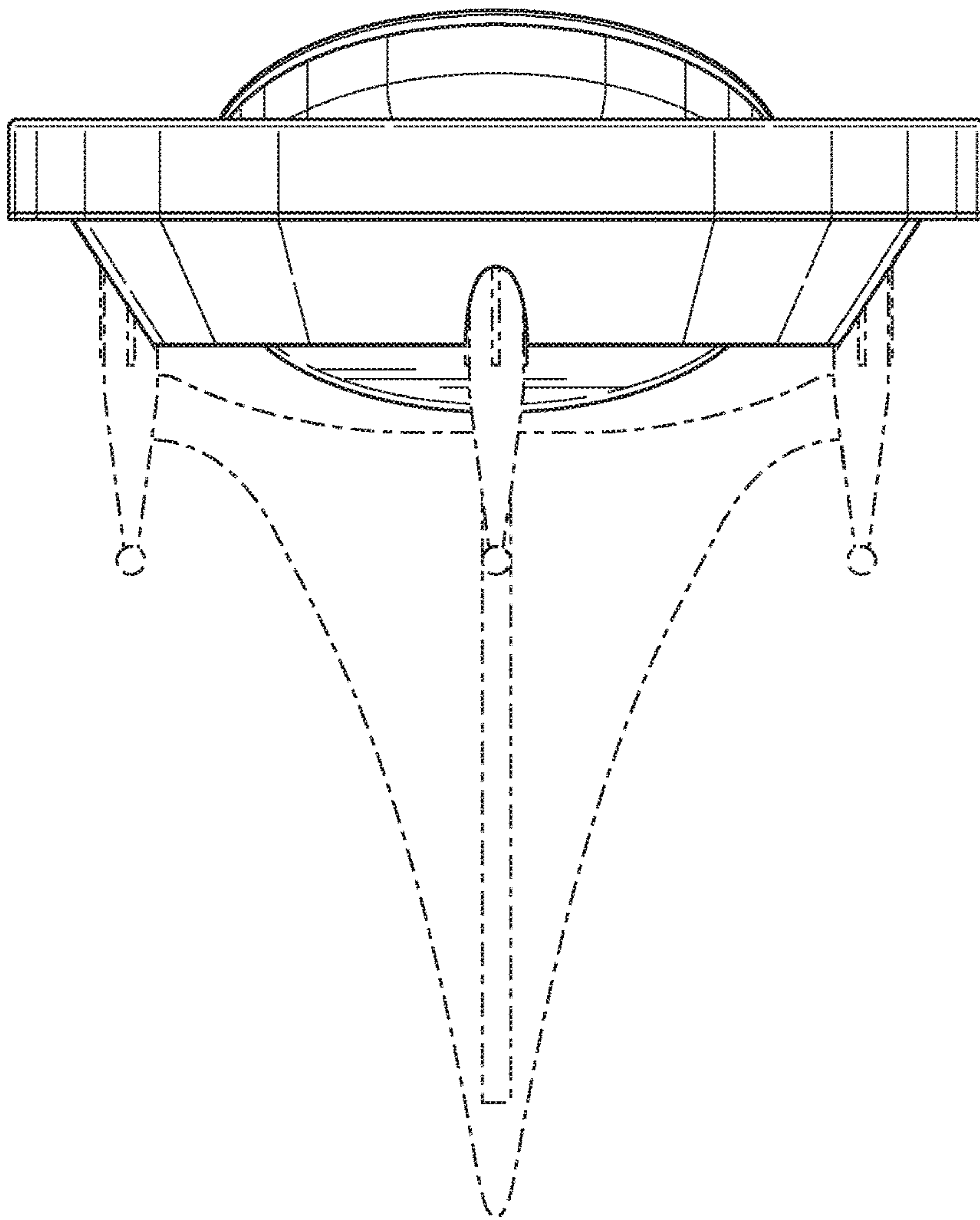


FIG. 14

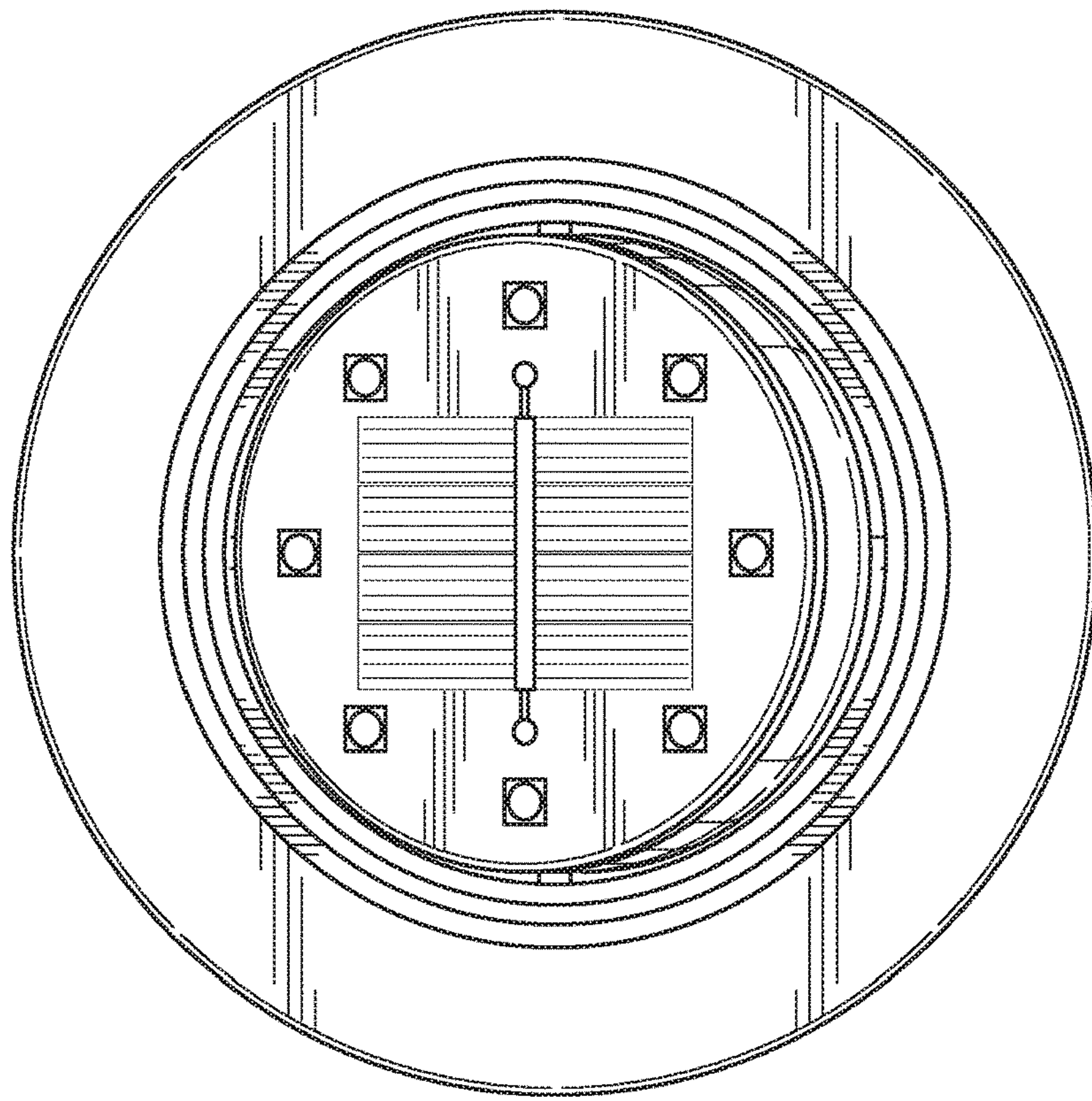


FIG. 15

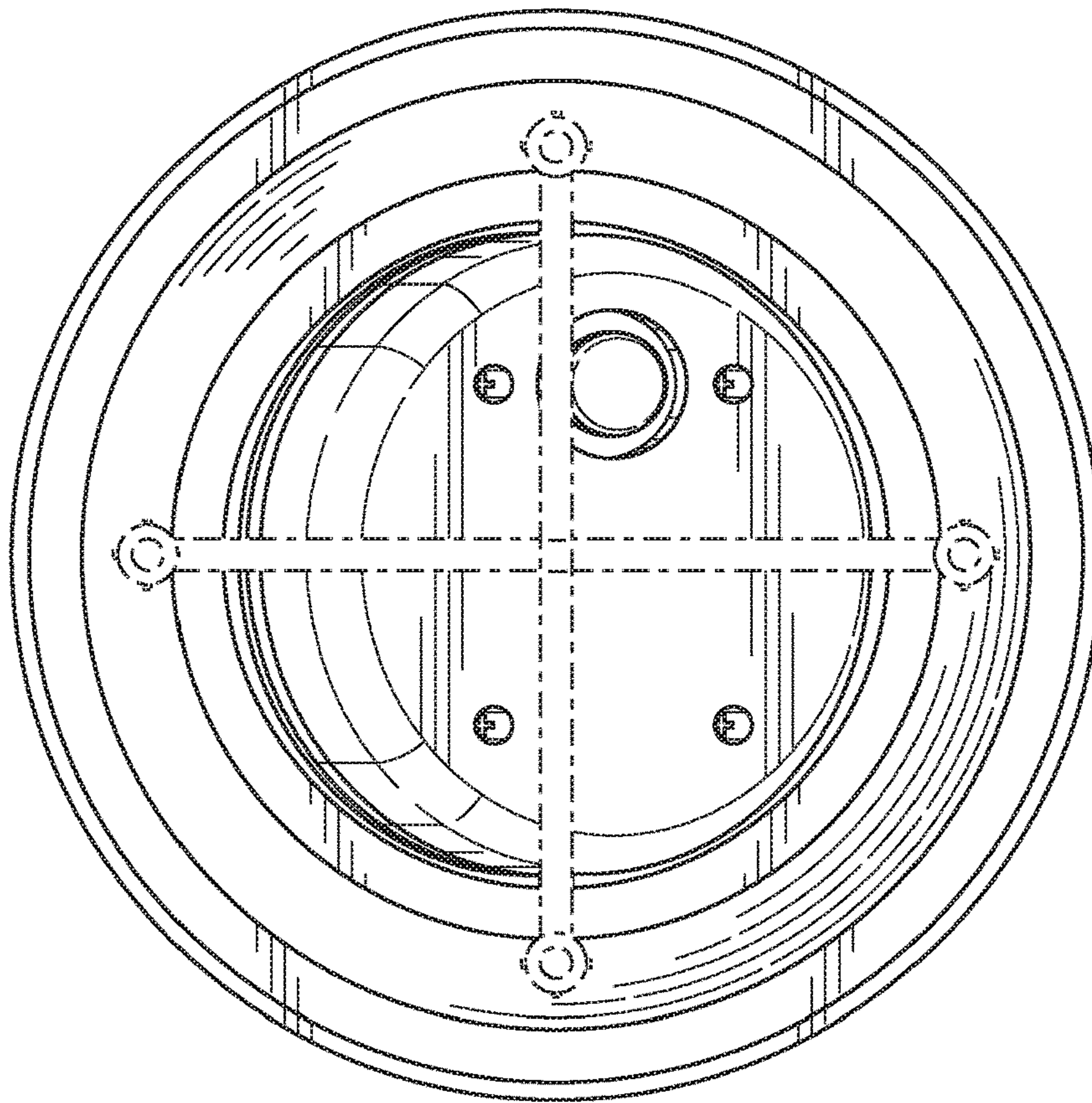


FIG. 16