



US00D841871S

(12) **United States Design Patent** (10) **Patent No.:** **US D841,871 S**
Zhu (45) **Date of Patent:** **** Feb. 26, 2019**

(54) **LIGHTING FIXTURE**

(71) Applicant: **WSD LED INC**, Dallas, TX (US)

(72) Inventor: **Changyong Zhu**, Dallas, TX (US)

(73) Assignee: **WSD LED INC**, Dallas, TX (US)

(**) Term: **15 Years**

(21) Appl. No.: **29/614,760**

(22) Filed: **Aug. 22, 2017**

(51) **LOC (11) Cl.** **26-03**

(52) **U.S. Cl.**
USPC **D26/89**

(58) **Field of Classification Search**
USPC D26/72, 79, 89
CPC F21S 8/03; F21S 8/031; F21S 8/04; F21S 8/043; F21S 8/06; F21S 8/063; F21V 29/76; F21V 29/763; F21V 29/767; F21V 29/77; F21V 29/78; F21W 2131/1005; F21W 2131/107; F21W 2131/402

See application file for complete search history.

(56) **References Cited**

U.S. PATENT DOCUMENTS

D551,379 S *	9/2007	Maxik	D26/74
D624,686 S *	9/2010	Toney, Jr.	D26/72
D667,587 S *	9/2012	Wilcox	F21V 19/0055
				D26/89
D703,861 S *	4/2014	Holland	D26/89
D722,194 S *	2/2015	Guercio	D26/89
D747,534 S *	1/2016	Guercio	D26/89

D751,748 S *	3/2016	Guercio	D26/89
9,513,424 B2 *	12/2016	Castillo	G02B 6/0065
D781,486 S *	3/2017	Pratt	D26/89
D785,225 S *	4/2017	Gan	D26/72
D785,230 S *	4/2017	Shundong	D26/89
2011/0026249 A1 *	2/2011	Wylde	F21S 8/086
				362/240
2011/0110081 A1 *	5/2011	Belknap	F21V 3/00
				362/235
2012/0057351 A1 *	3/2012	Wilcox	F21V 19/0055
				362/307

* cited by examiner

Primary Examiner — Calre E Heffin

(74) *Attorney, Agent, or Firm* — Jingjing Ye; Culhane Meadows, PLLC

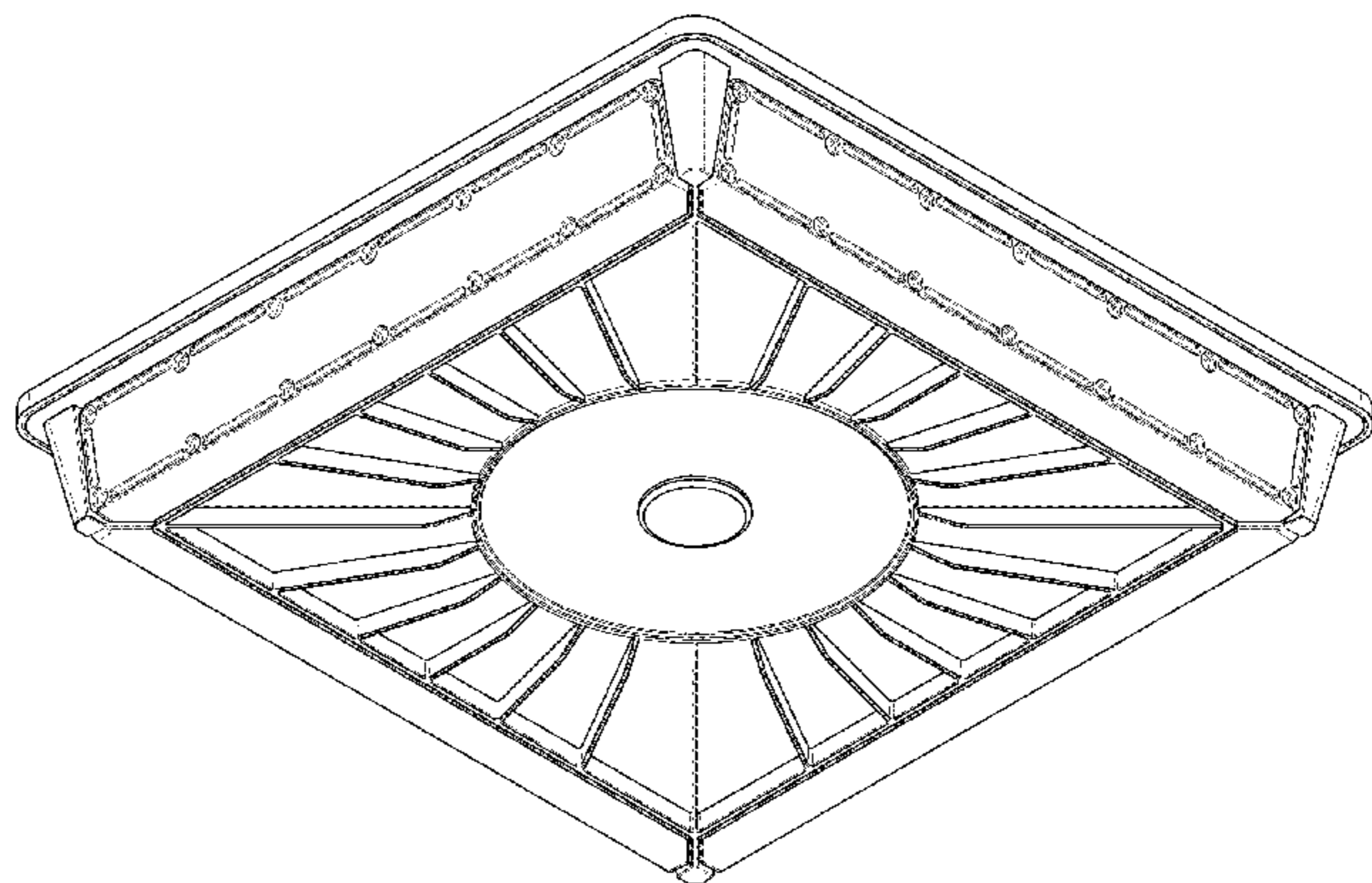
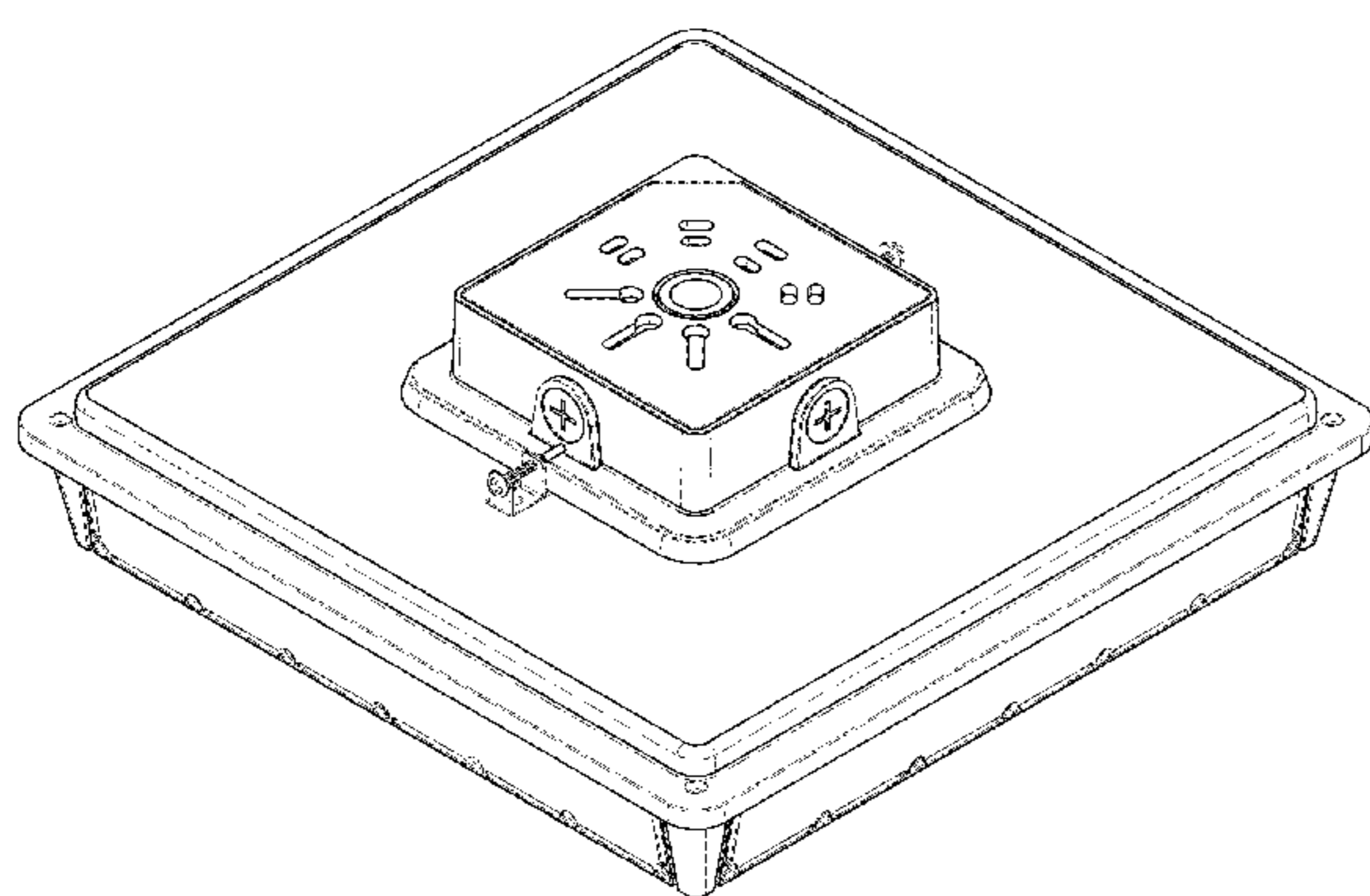
(57) **CLAIM**

The ornamental design for a lighting fixture, as shown and described.

DESCRIPTION

FIG. 1 is a top perspective view of a lighting fixture in accordance with the new design;
FIG. 2 is a bottom perspective view thereof;
FIG. 3 is a front elevational view thereof;
FIG. 4 is a back elevational view thereof;
FIG. 5 is a top view thereof;
FIG. 6 is a bottom view thereof;
FIG. 7 is a left side elevational view thereof; and,
FIG. 8 is a right side elevational view thereof.

1 Claim, 6 Drawing Sheets



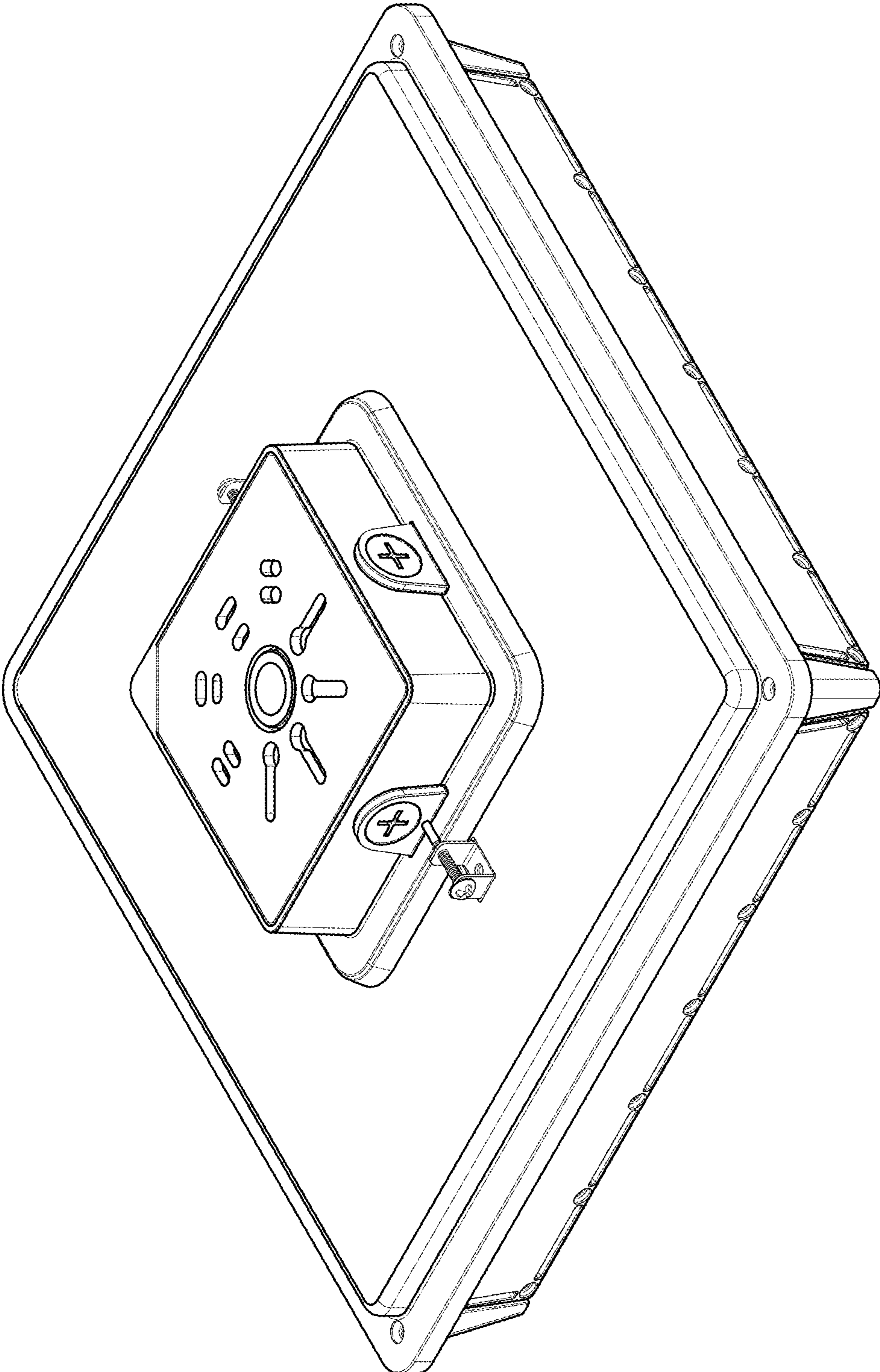


FIG. 1

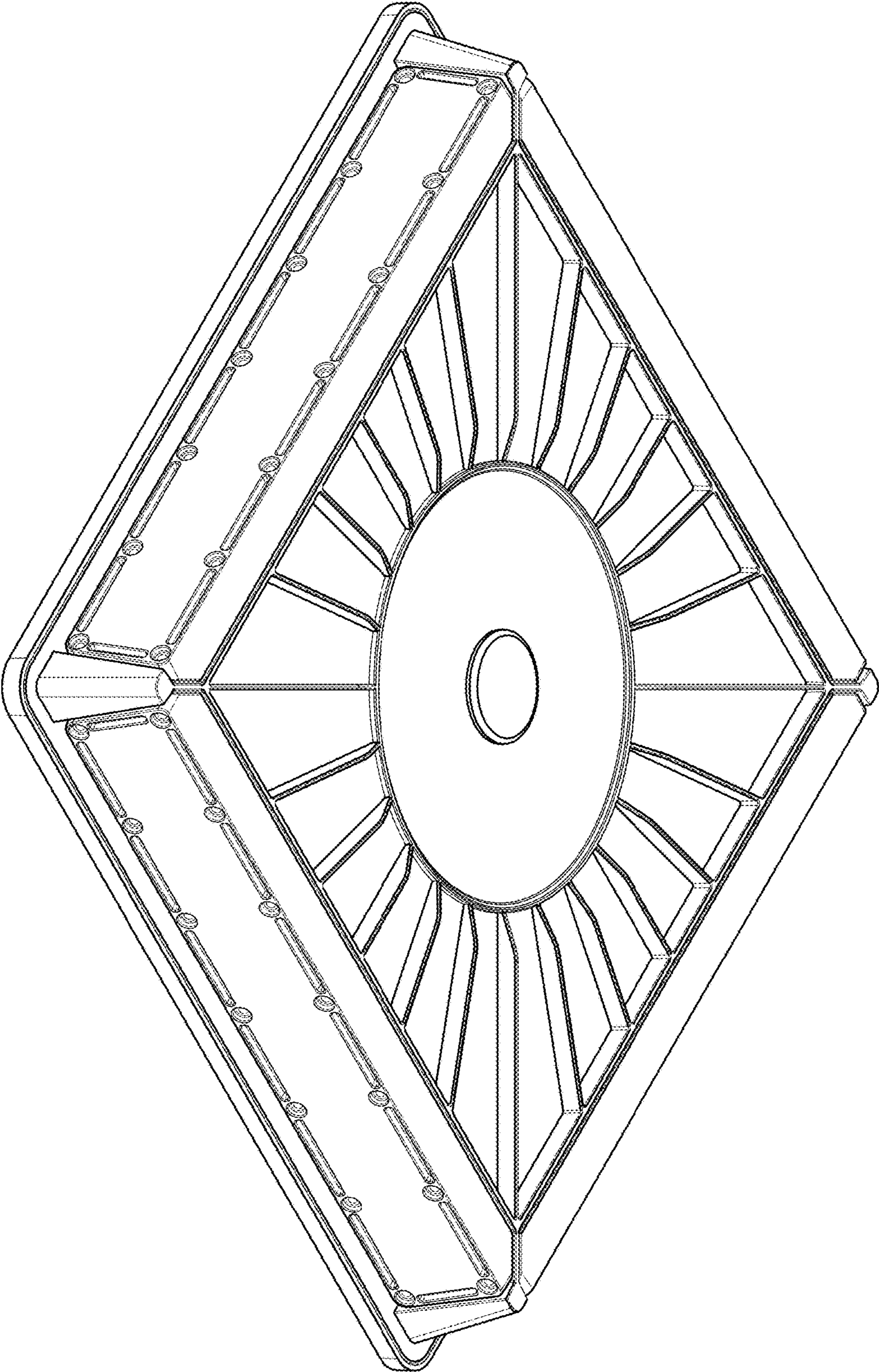


FIG. 2

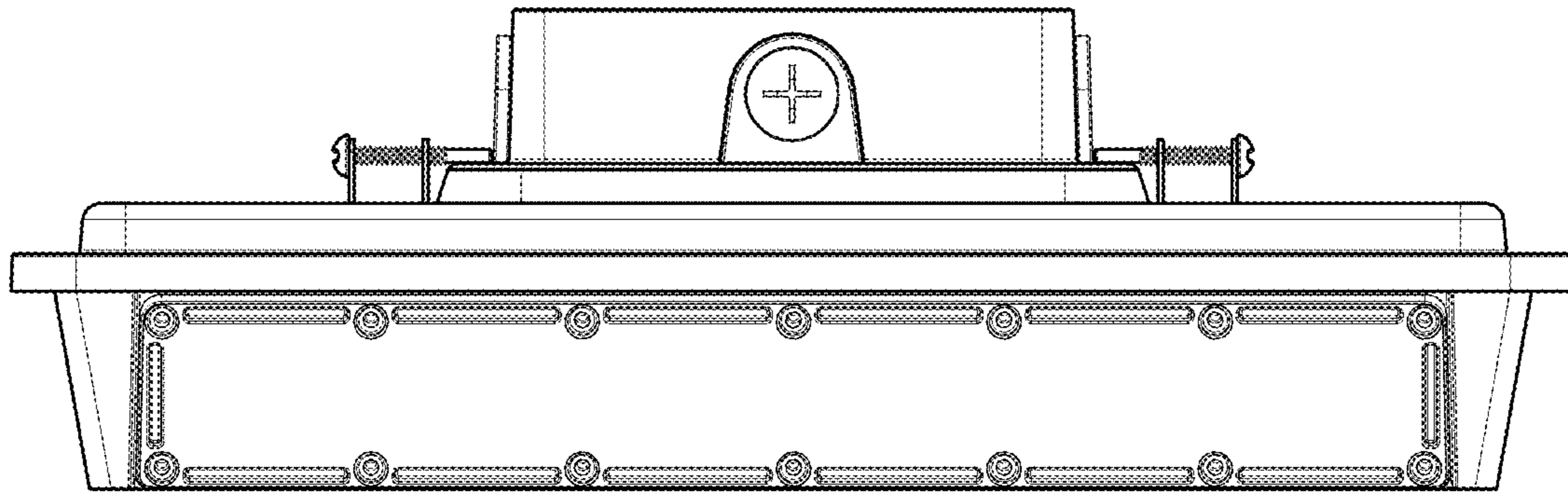


FIG. 3

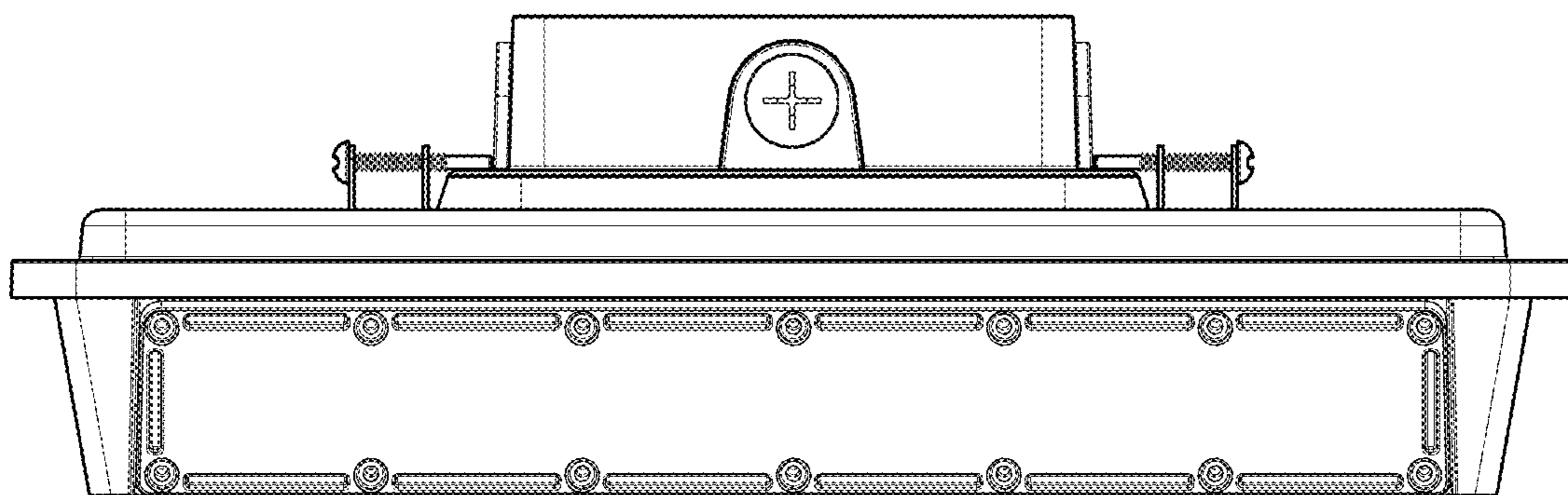


FIG. 4

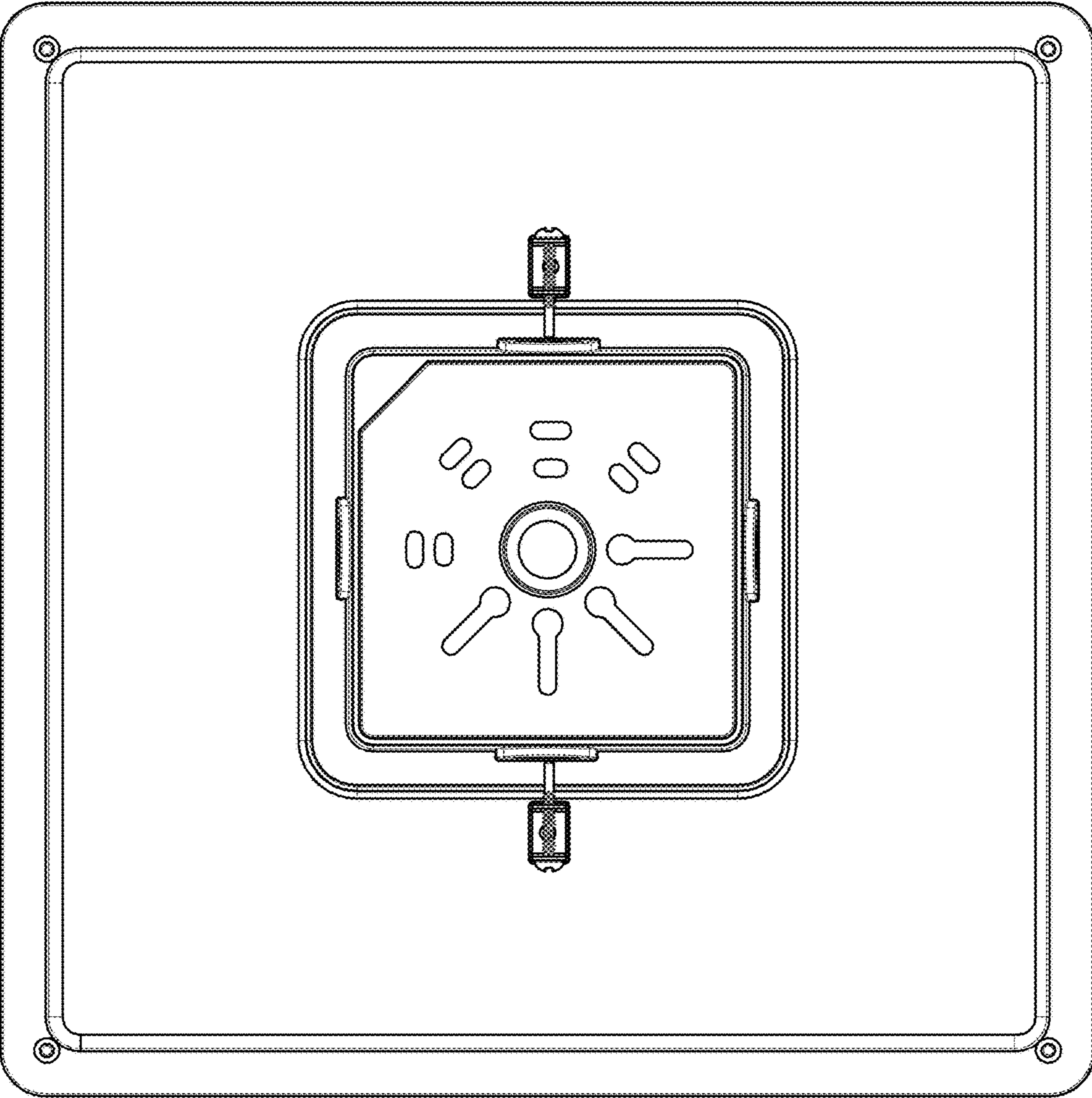


FIG. 5

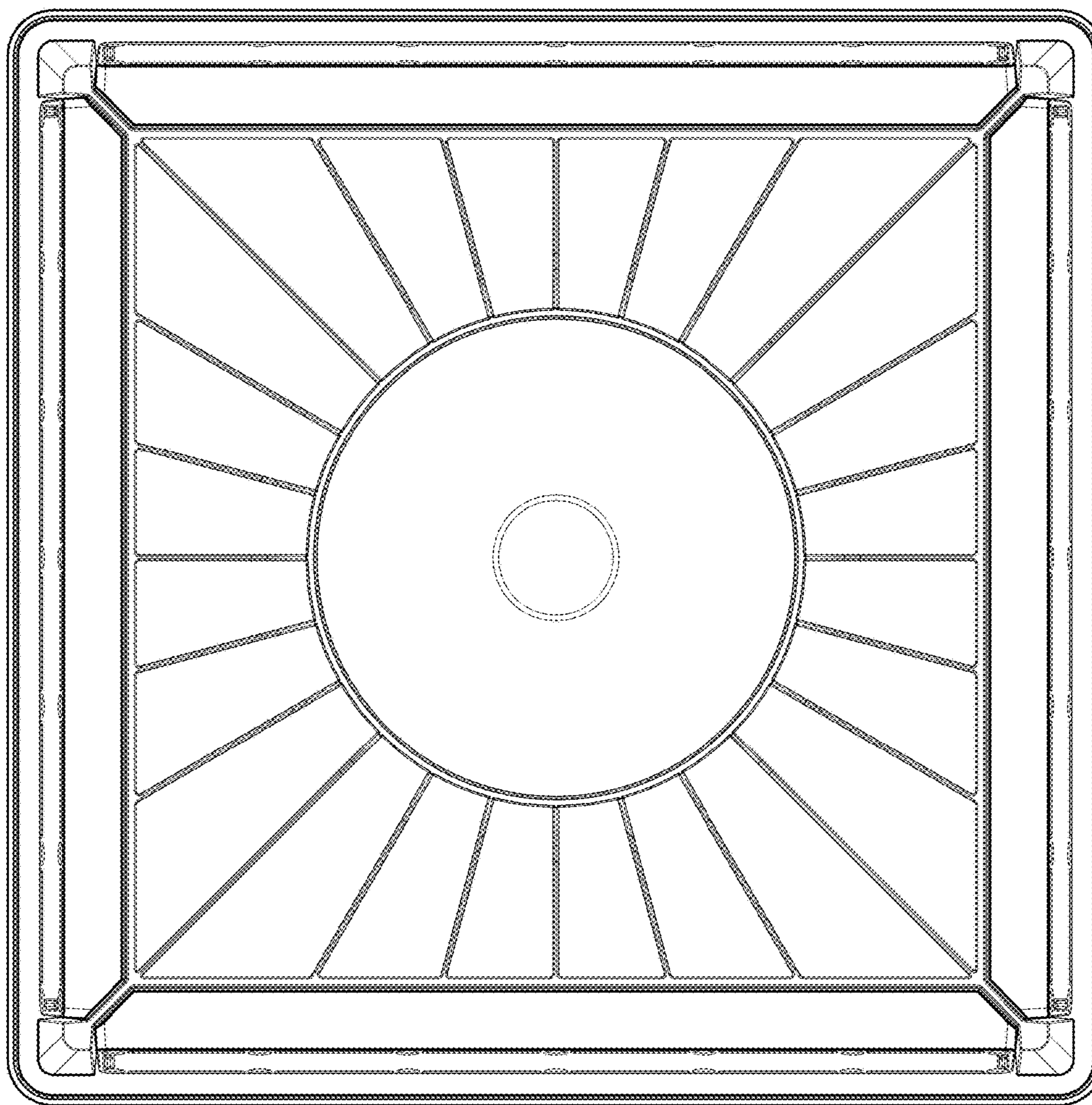


FIG. 6

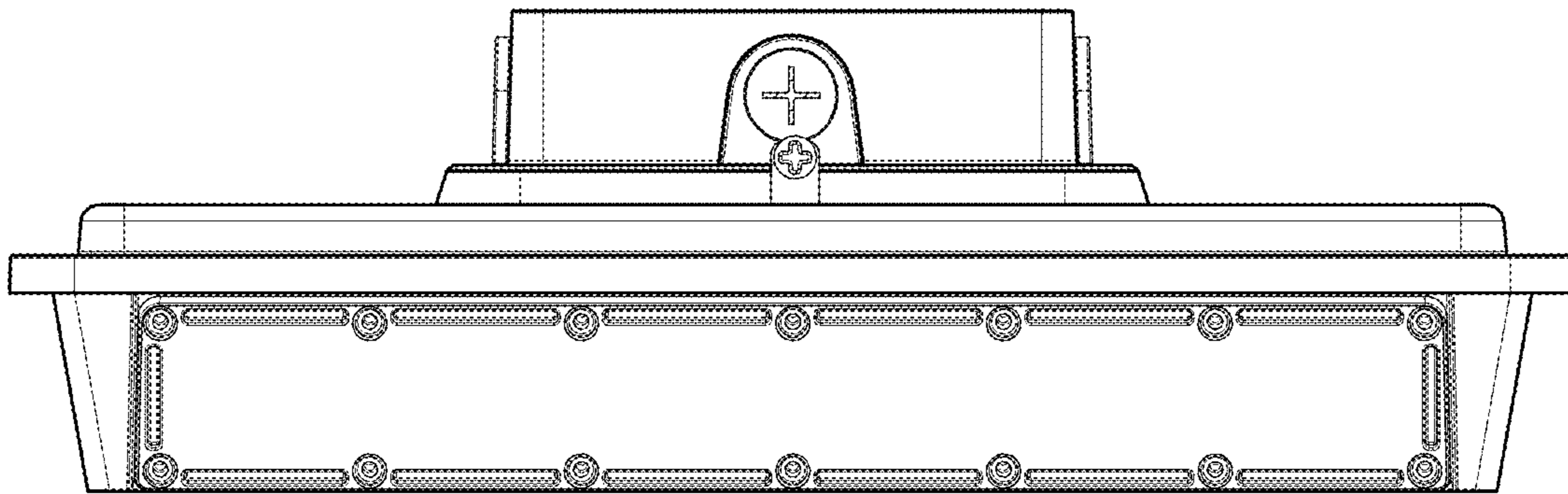


FIG. 7

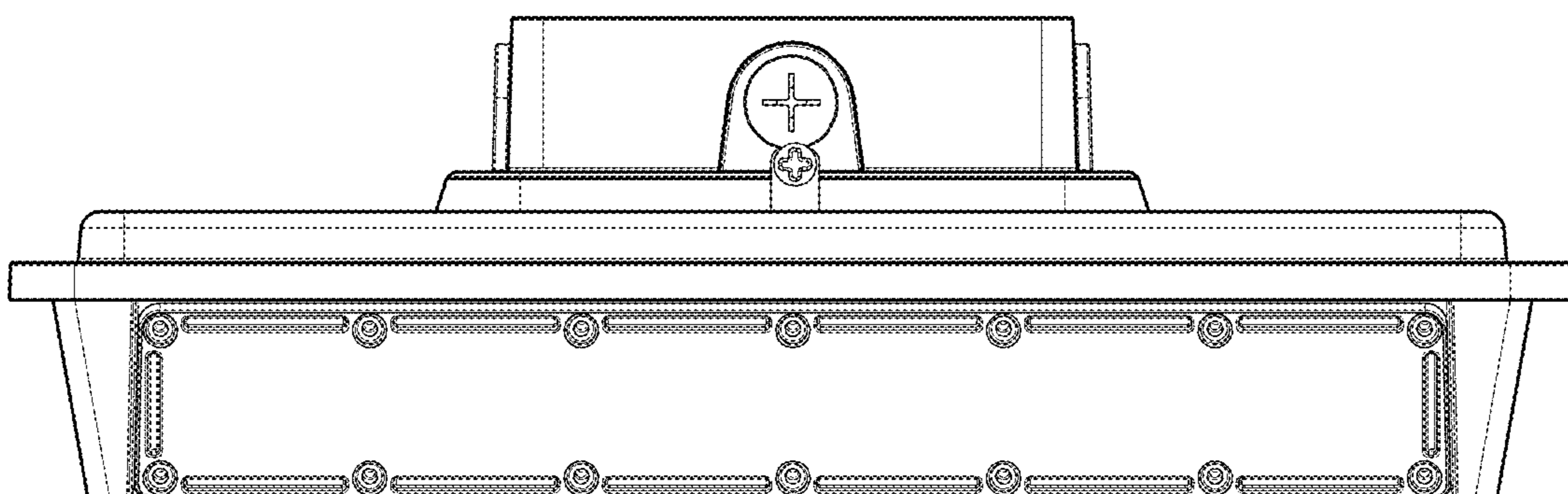


FIG. 8