



US00D841869S

(12) **United States Design Patent**  
**Mou**

(10) **Patent No.:** **US D841,869 S**

(45) **Date of Patent:** **\*\* Feb. 26, 2019**

(54) **LIGHT-EMITTING DIODE PENDANT LAMP**

(71) Applicant: **NINGBO ROYALUX LIGHTING CO., LTD.**, Ningbo, Zhejiang (CN)

(72) Inventor: **Jinhong Mou**, Zhejiang (CN)

(73) Assignee: **NINGBO ROYALUX LIGHTING CO., LTD.**, Ningbo, Zhejiang (CN)

(\*\*) Term: **15 Years**

(21) Appl. No.: **29/598,069**

(22) Filed: **Mar. 22, 2017**

(30) **Foreign Application Priority Data**

Sep. 28, 2016 (CN) ..... 2016 3 0494809

(51) **LOC (11) Cl.** ..... **26-05**

(52) **U.S. Cl.**  
USPC ..... **D26/89**

(58) **Field of Classification Search**  
USPC ..... D26/28, 35, 72, 74, 79-81, 83, 85, 86,  
D26/88, 89, 91, 118-122  
CPC ..... F21S 8/02; F21S 8/03; F21S 8/04; F21S  
8/026; F21S 8/033; F21S 8/043; F21V  
21/02; F21V 21/03  
See application file for complete search history.

(56) **References Cited**

**U.S. PATENT DOCUMENTS**

- 3,815,857 A \* 6/1974 McFarlin ..... F21S 8/02  
174/503
- D535,613 S \* 1/2007 Varalo ..... D13/108
- D603,083 S \* 10/2009 Trumble ..... D26/90
- D606,242 S \* 12/2009 Takahashi ..... D26/120
- D629,146 S \* 12/2010 van den Akker ..... D26/89
- D632,007 S \* 2/2011 Kim ..... D26/120
- D655,853 S \* 3/2012 Kim ..... D26/89
- D656,654 S \* 3/2012 Wauters ..... D26/89

- D679,036 S \* 3/2013 Inoue ..... D26/24
- 8,550,666 B2 \* 10/2013 Kim ..... F21V 15/01  
362/294
- D702,868 S \* 4/2014 Patel ..... D26/74
- D718,484 S \* 11/2014 Eberle ..... D26/89
- D730,570 S \* 5/2015 Chen ..... D26/128
- 9,062,838 B1 \* 6/2015 Merrill, Jr. .... F21S 8/026
- 9,110,216 B2 \* 8/2015 Blessitt ..... G02B 6/0091
- D738,027 S \* 9/2015 Wang ..... D26/85
- D748,316 S \* 1/2016 Sakurai ..... D26/89
- D748,842 S \* 2/2016 Sakurai ..... D26/89
- D751,236 S \* 3/2016 Renshaw ..... D26/89
- D770,077 S \* 10/2016 Lai ..... D26/89
- 9,557,022 B2 \* 1/2017 Araki ..... F21S 8/026
- D779,105 S \* 2/2017 Krueckeberg ..... D26/89

(Continued)

*Primary Examiner* — Kevin K Rudzinski  
*Assistant Examiner* — Richard Kearney  
(74) *Attorney, Agent, or Firm* — U.S. Fairsky LLP; Yue  
(Robert) Xu

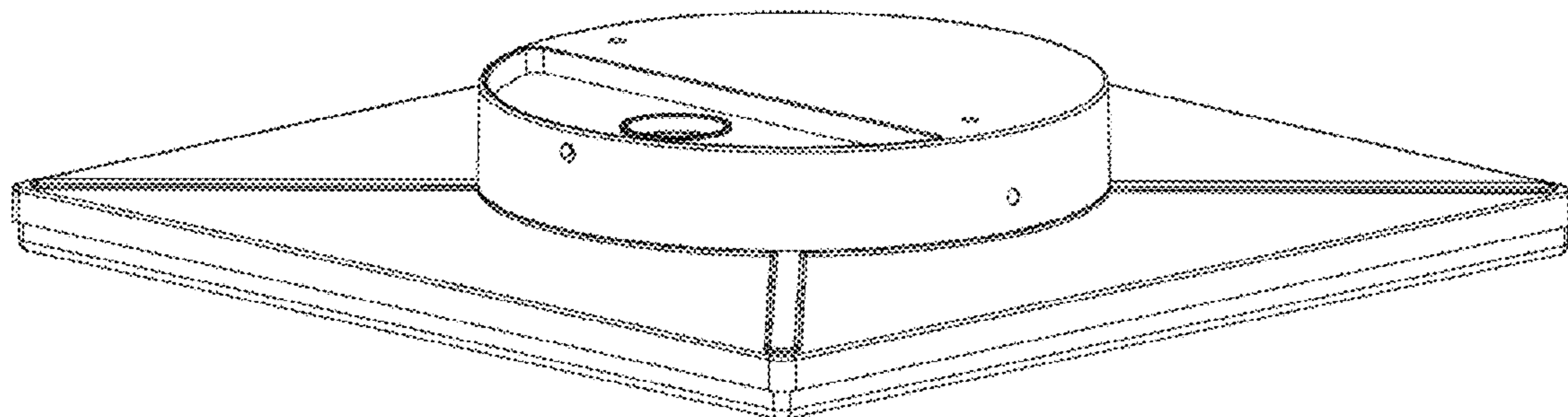
(57) **CLAIM**

The ornamental design for a light-emitting diode pendant lamp, as shown and described.

**DESCRIPTION**

FIG. 1 is a front view of a light-emitting diode pendant lamp according to the present application;  
FIG. 2 is a rear view of the light-emitting diode pendant lamp according to the present application;  
FIG. 3 is a left view of the light-emitting diode pendant lamp according to the present application;  
FIG. 4 is a right view of the light-emitting diode pendant lamp according to the present application;  
FIG. 5 is a top view of the light-emitting diode pendant lamp according to the present application;  
FIG. 6 is a bottom view of the light-emitting diode pendant lamp according to the present application; and,  
FIG. 7 is a perspective view of the light-emitting diode pendant lamp according to the present application.

**1 Claim, 7 Drawing Sheets**



(56)

**References Cited**

## U.S. PATENT DOCUMENTS

D779,107 S \* 2/2017 Krueckeberg ..... D26/91  
D784,593 S \* 4/2017 Ambrozus ..... D26/74  
D785,852 S \* 5/2017 Rashidi Doust ..... D26/138  
D807,557 S \* 1/2018 Stromborg ..... D26/74  
D809,696 S \* 2/2018 Wheatley ..... D26/74  
D824,078 S \* 7/2018 Waldmann ..... D26/89  
10,077,877 B2 \* 9/2018 Nicolai ..... F21S 8/043  
10,096,749 B2 \* 10/2018 Takei ..... H01L 33/502  
2011/0063829 A1 \* 3/2011 Chen ..... E04B 9/006  
362/231  
2012/0020112 A1 \* 1/2012 Fisher ..... A47B 13/12  
362/608  
2013/0027971 A1 \* 1/2013 Huang ..... G02B 6/0081  
362/607  
2013/0051017 A1 \* 2/2013 Heim ..... F21S 8/04  
362/247  
2013/0058105 A1 \* 3/2013 Lee ..... F21S 8/033  
362/363  
2014/0098564 A1 \* 4/2014 Magnan ..... F21K 9/61  
362/606  
2015/0138776 A1 \* 5/2015 Lay ..... F21V 25/12  
362/294  
2015/0267905 A1 \* 9/2015 Lee ..... F21V 21/048  
362/150  
2015/0369463 A1 \* 12/2015 Hirano ..... F21V 19/003  
362/95  
2016/0320007 A1 \* 11/2016 Araki ..... F21S 8/026  
2017/0299801 A1 \* 10/2017 Kim ..... G02B 6/0051  
2018/0242412 A1 \* 8/2018 Kang ..... F21S 4/28  
2018/0266668 A1 \* 9/2018 Myers ..... F21S 8/04

\* cited by examiner

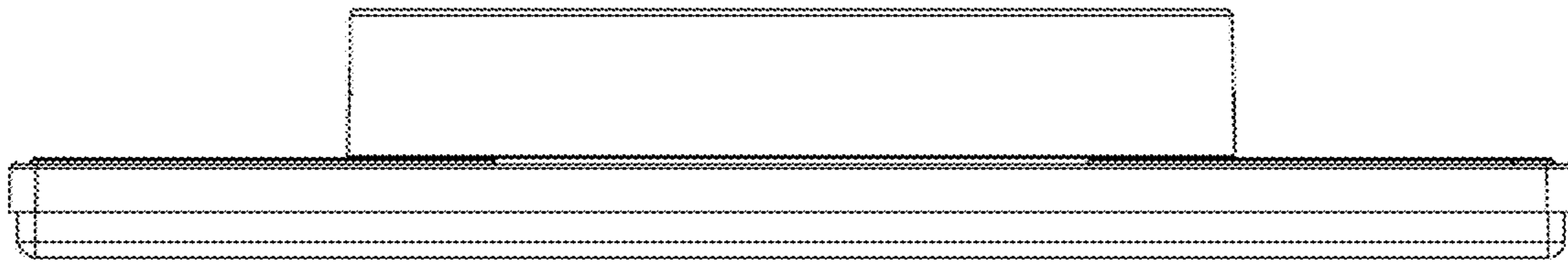


Figure 1

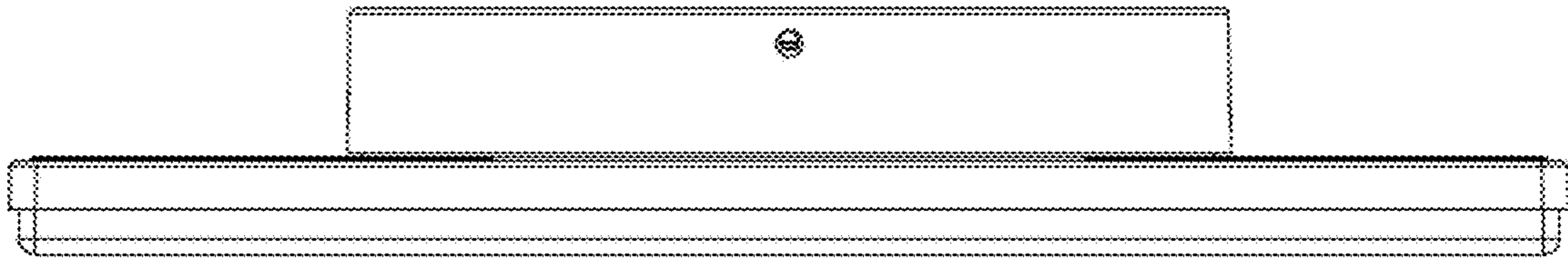


Figure 2

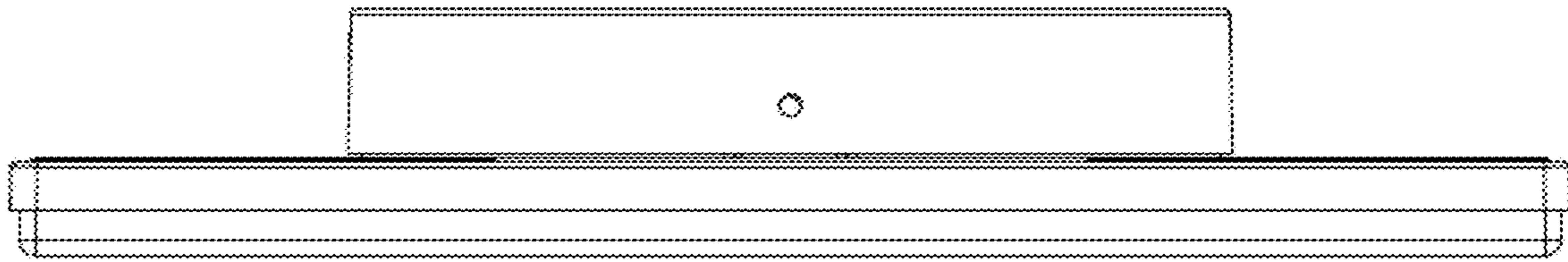


Figure 3

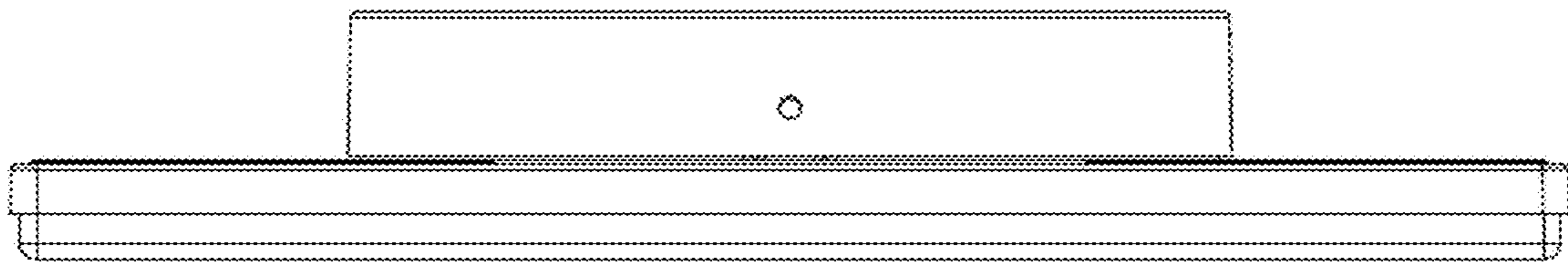


Figure 4



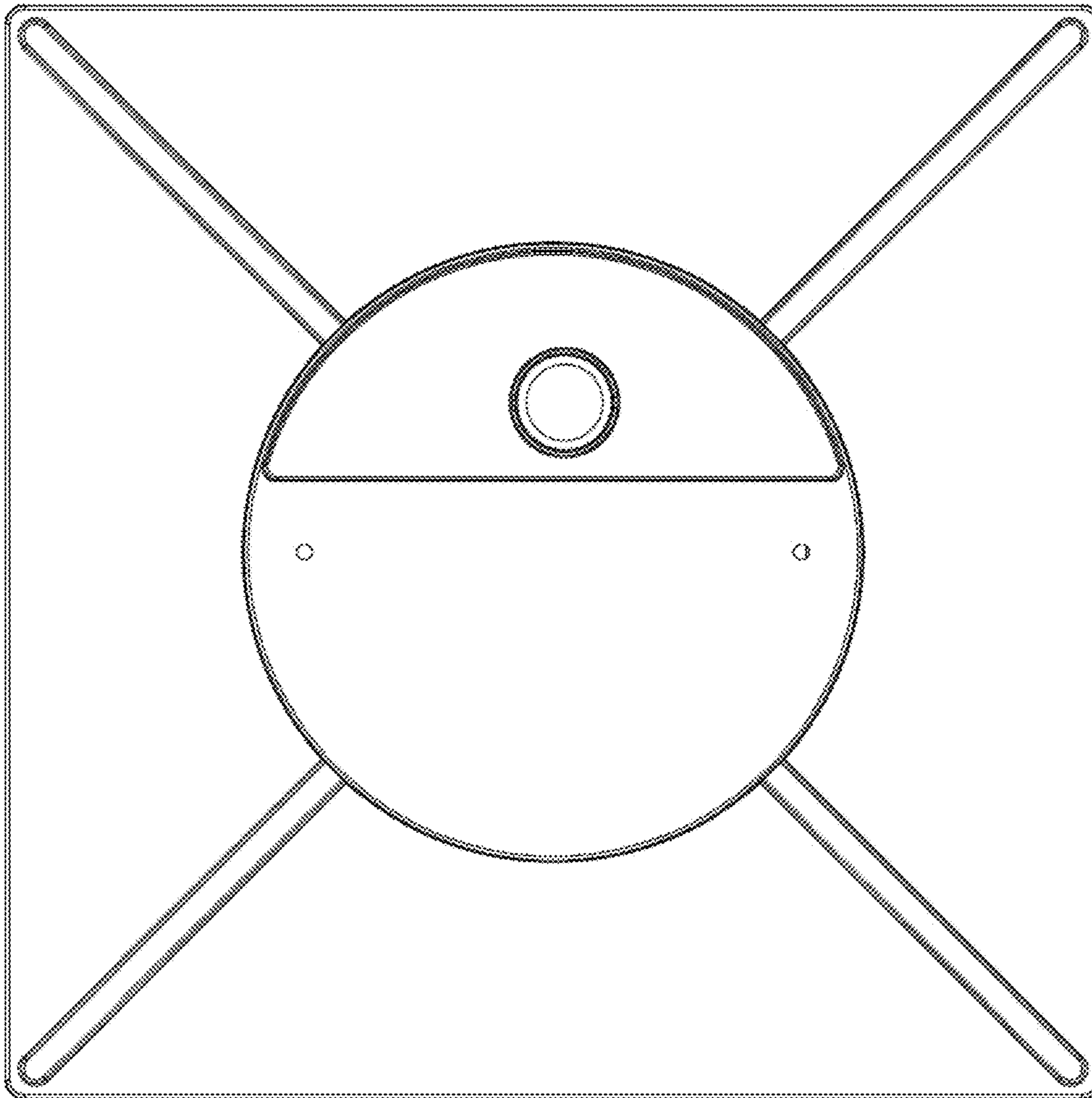


Figure 5

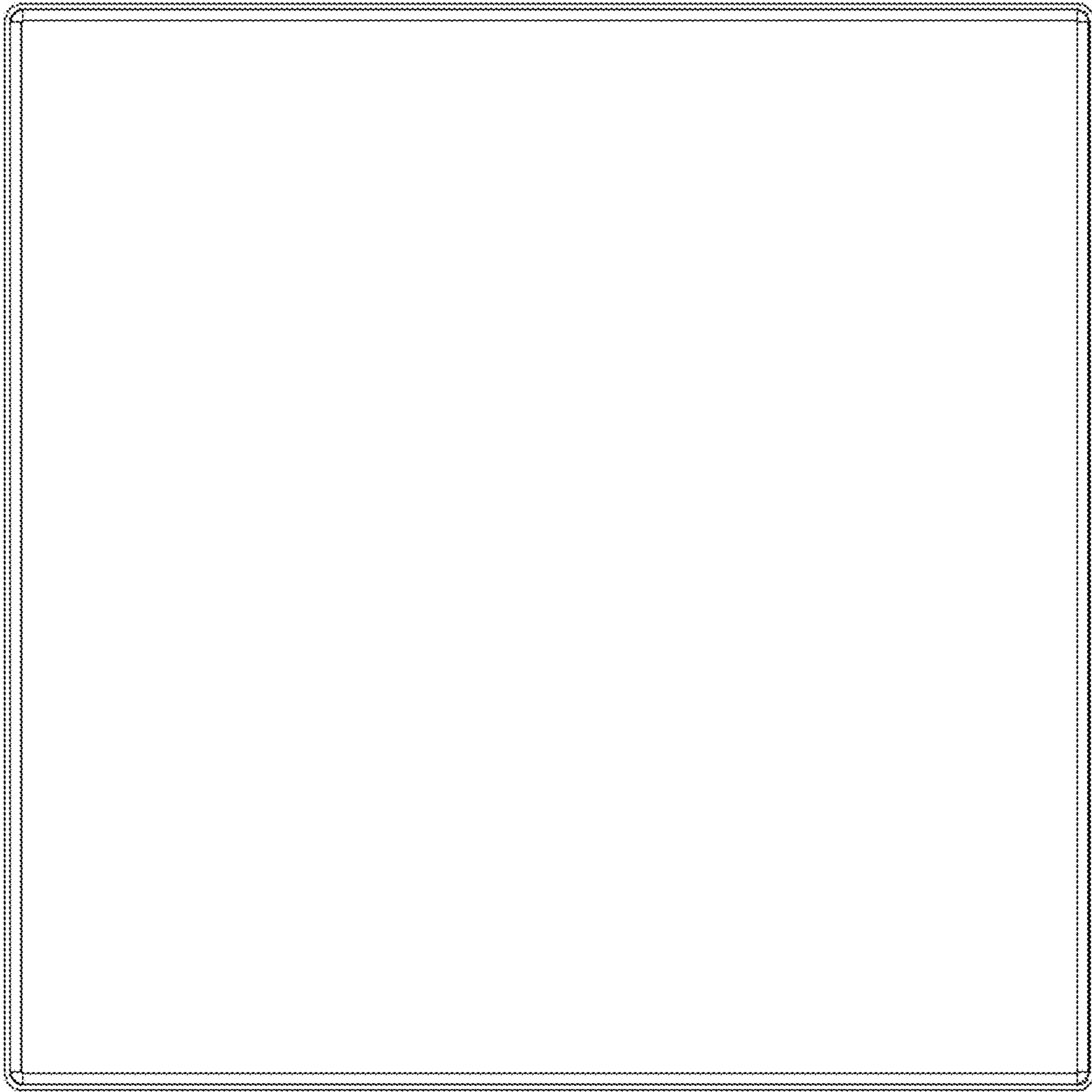


Figure 6



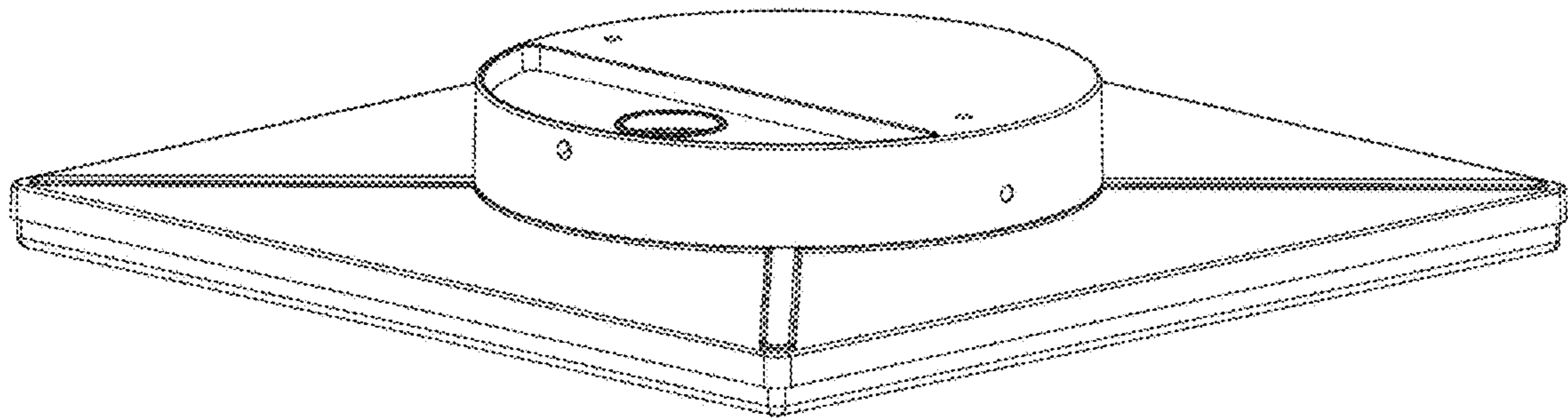


Figure 7