



US00D841868S

(12) **United States Design Patent**
Xu

(10) **Patent No.:** **US D841,868 S**

(45) **Date of Patent:** **** Feb. 26, 2019**

(54) **CEILING LAMP**

(71) Applicant: **DONGGUAN JIASHENG LIGHTING TECHNOLOGY CO., LTD.**, Guangdong Province (CN)

(72) Inventor: **Shuisheng Xu**, Guangdong Province (CN)

(73) Assignee: **DONGGUAN JIASHENG LIGHTING TECHNOLOGY CO., LTD.**, Dongguan (CN)

(**) Term: **15 Years**

(21) Appl. No.: **29/594,030**

(22) Filed: **Feb. 15, 2017**

(30) **Foreign Application Priority Data**

Aug. 16, 2016 (CN) 2016 3 0393867

(51) **LOC (11) Cl.** **26-05**

(52) **U.S. Cl.**
USPC **D26/89**

(58) **Field of Classification Search**
USPC D26/28, 35, 72, 74, 79-81, 83, 85, 86, D26/88, 89, 91, 118-122, 130, 131
CPC F21S 8/02; F21S 8/03; F21S 8/04; F21S 8/033; F21S 8/043; F21V 21/02
See application file for complete search history.

(56) **References Cited**

U.S. PATENT DOCUMENTS

D37,762 S * 12/1905 Bates D26/131
D45,461 S * 3/1914 Humphrey D26/88

D49,815 S * 10/1916 Chassaing D26/130
D76,203 S * 8/1928 Russell D26/72
D89,395 S * 3/1933 Glatthar D26/86
D90,939 S * 10/1933 Beck D26/88
2,059,868 A * 11/1936 Hoeveler F21S 13/00
362/343
D120,266 S * 4/1940 Kurth D26/59
D153,597 S * 5/1949 Gangbin D26/79
D520,670 S * 5/2006 Wachter D26/142
D659,897 S * 5/2012 Nevins D26/118
D745,205 S * 12/2015 De Bevilacqua D26/79
D805,676 S * 12/2017 Piano D26/88

* cited by examiner

Primary Examiner — Kevin K Rudzinski

Assistant Examiner — Richard Kearney

(74) *Attorney, Agent, or Firm* — Alan D. Kamrath;
Kamrath IP Lawfirm, P.A.

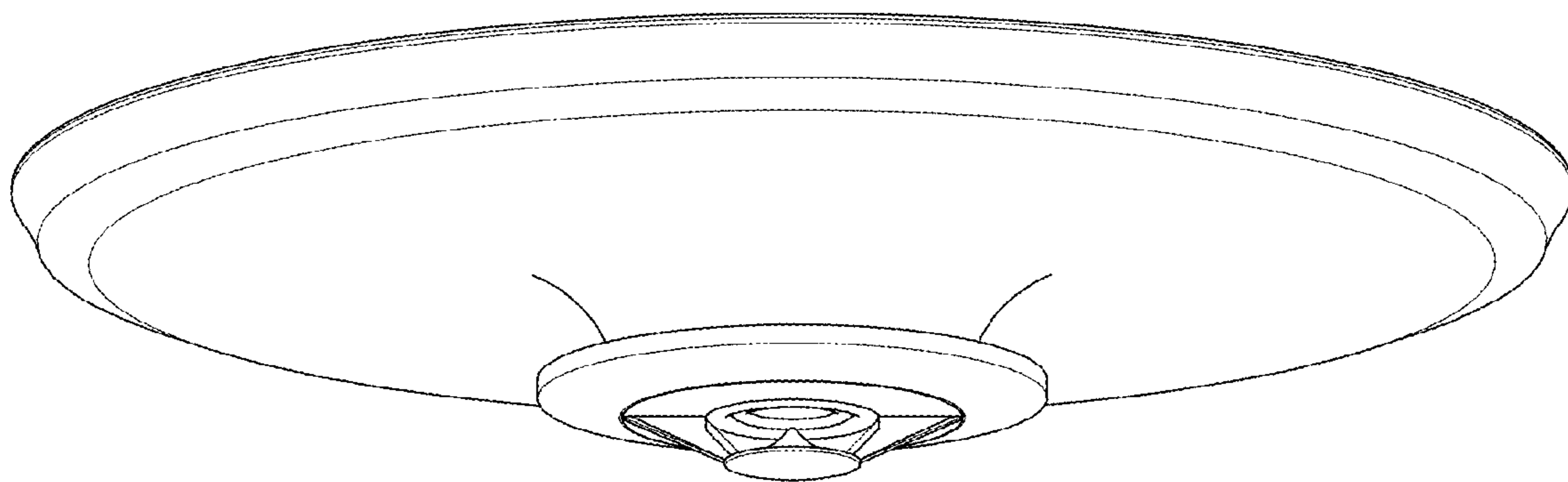
(57) **CLAIM**

The ornamental design for a ceiling lamp, as shown and described.

DESCRIPTION

FIG. 1 is a front side perspective view of a ceiling lamp showing my new design;
FIG. 2 is a front elevational view thereof;
FIG. 3 is a rear elevational view thereof;
FIG. 4 is a left side elevational view thereof;
FIG. 5 is a right side elevational view thereof;
FIG. 6 is a top plan view thereof; and,
FIG. 7 is a bottom plan view thereof.
The broken lines show portions of the article that form no part of the claim.

1 Claim, 7 Drawing Sheets



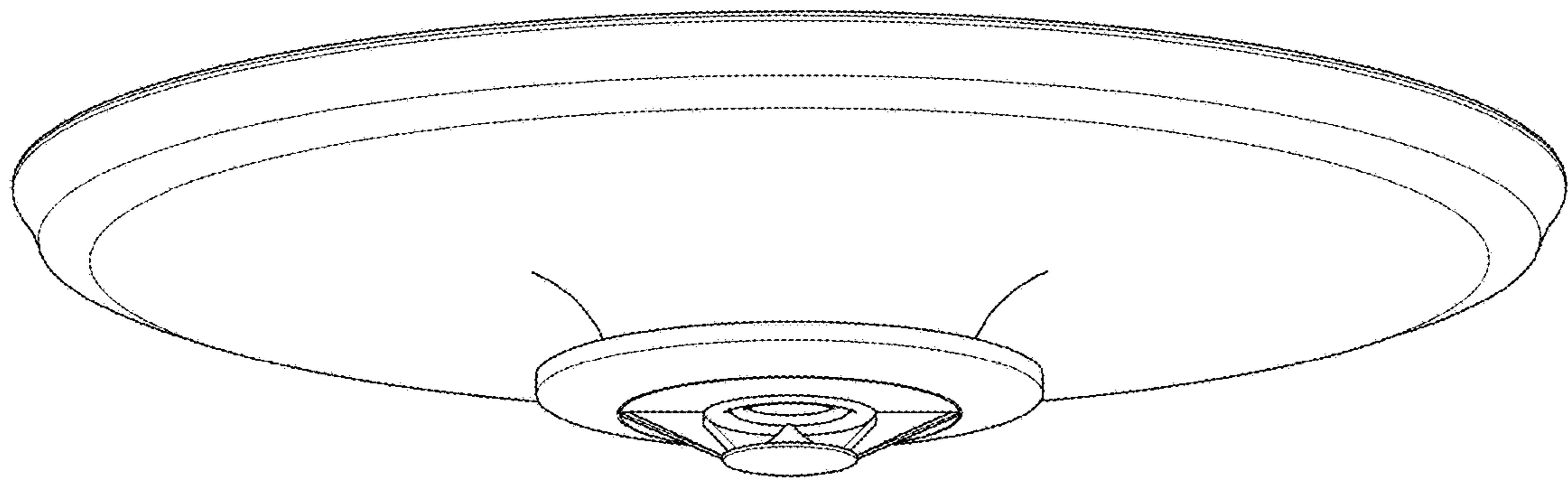


Fig. 1

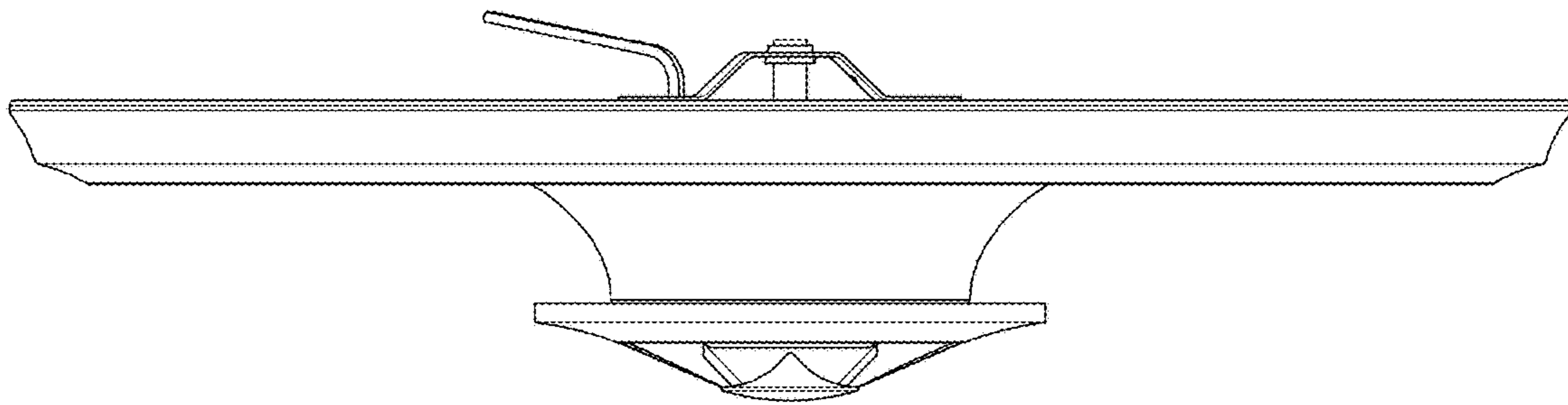


Fig.2

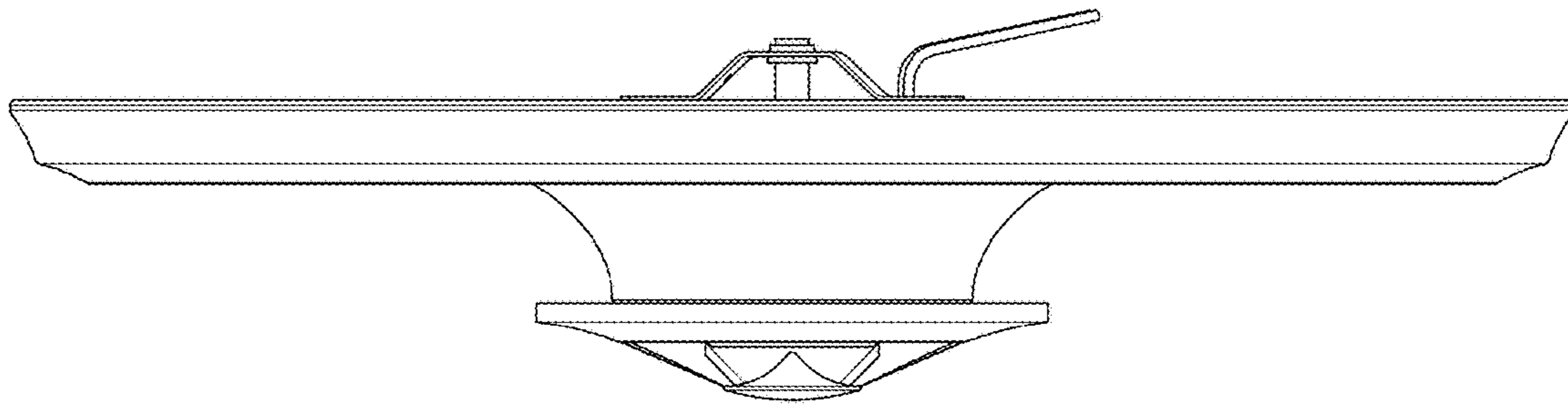


Fig.3

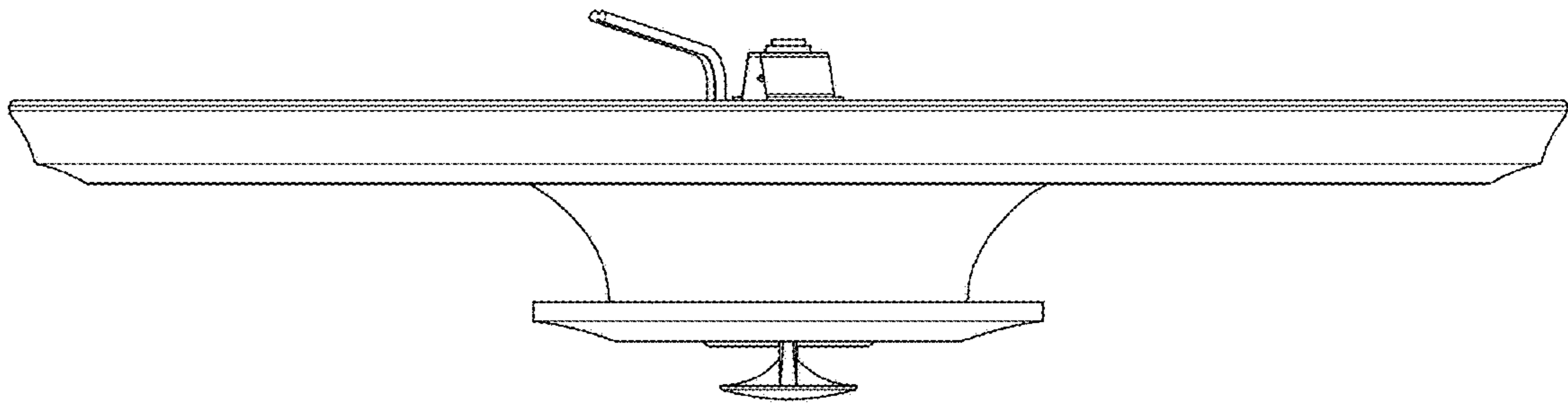


Fig.4

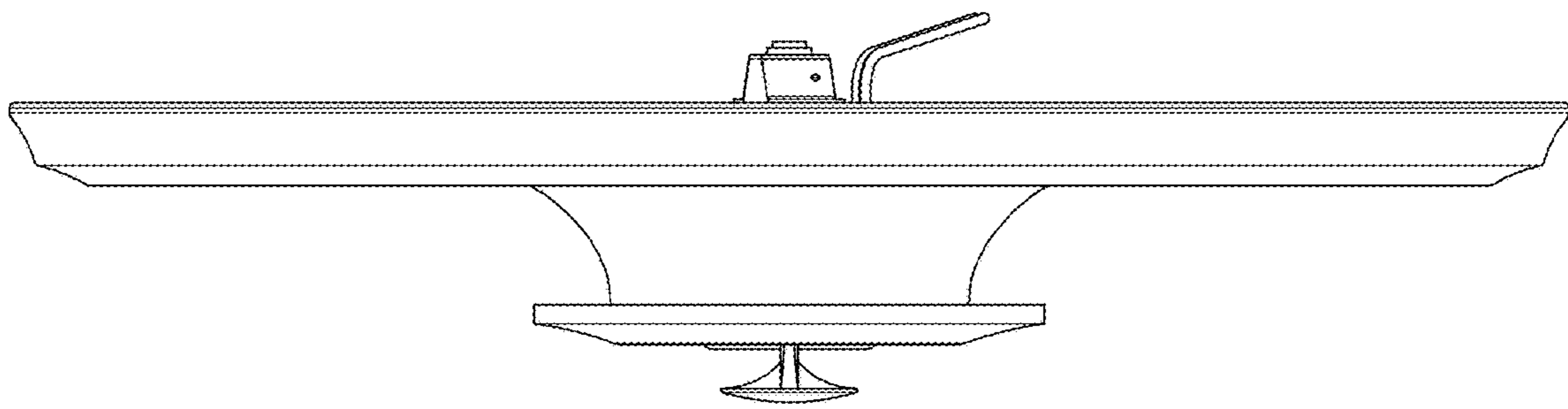


Fig.5

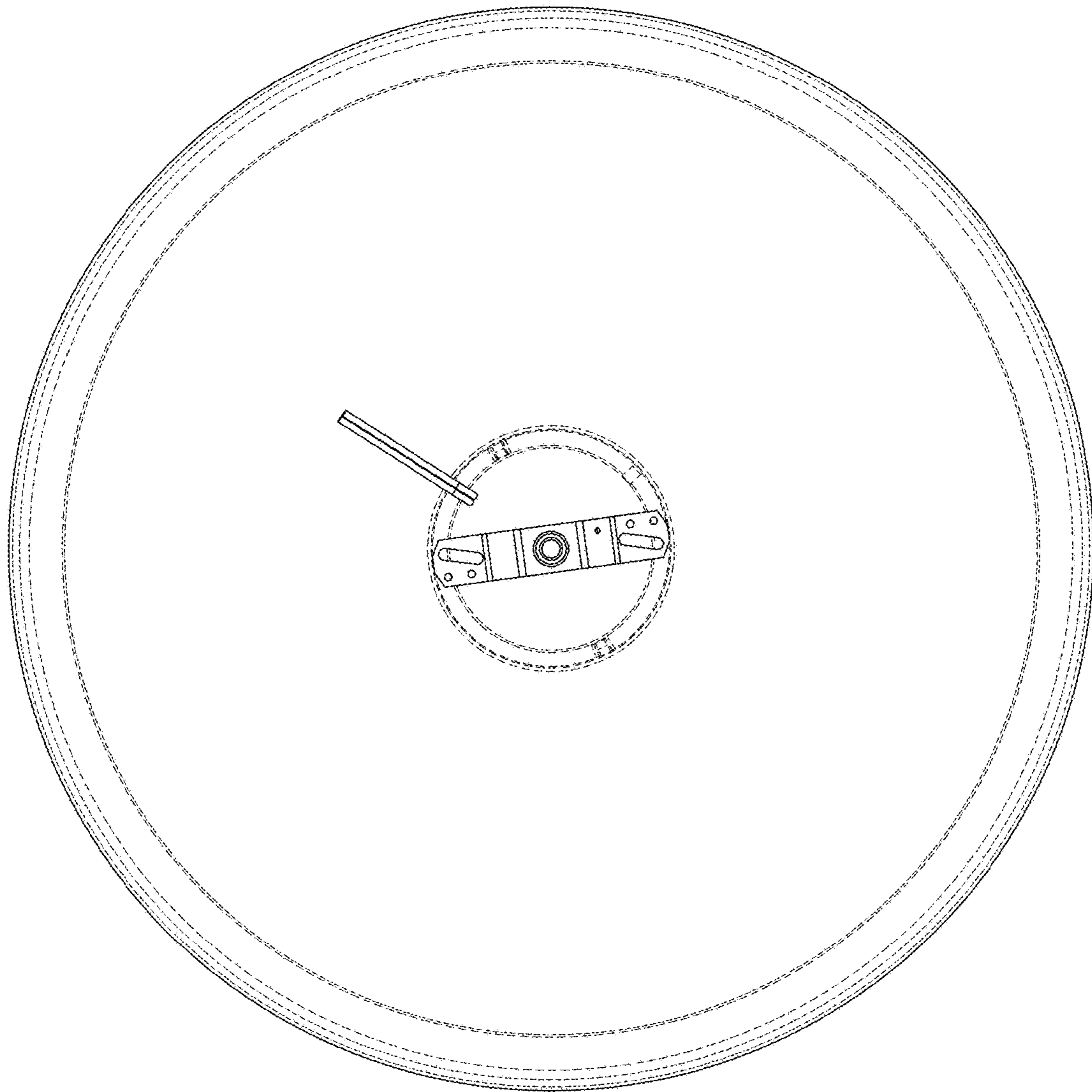


Fig.6

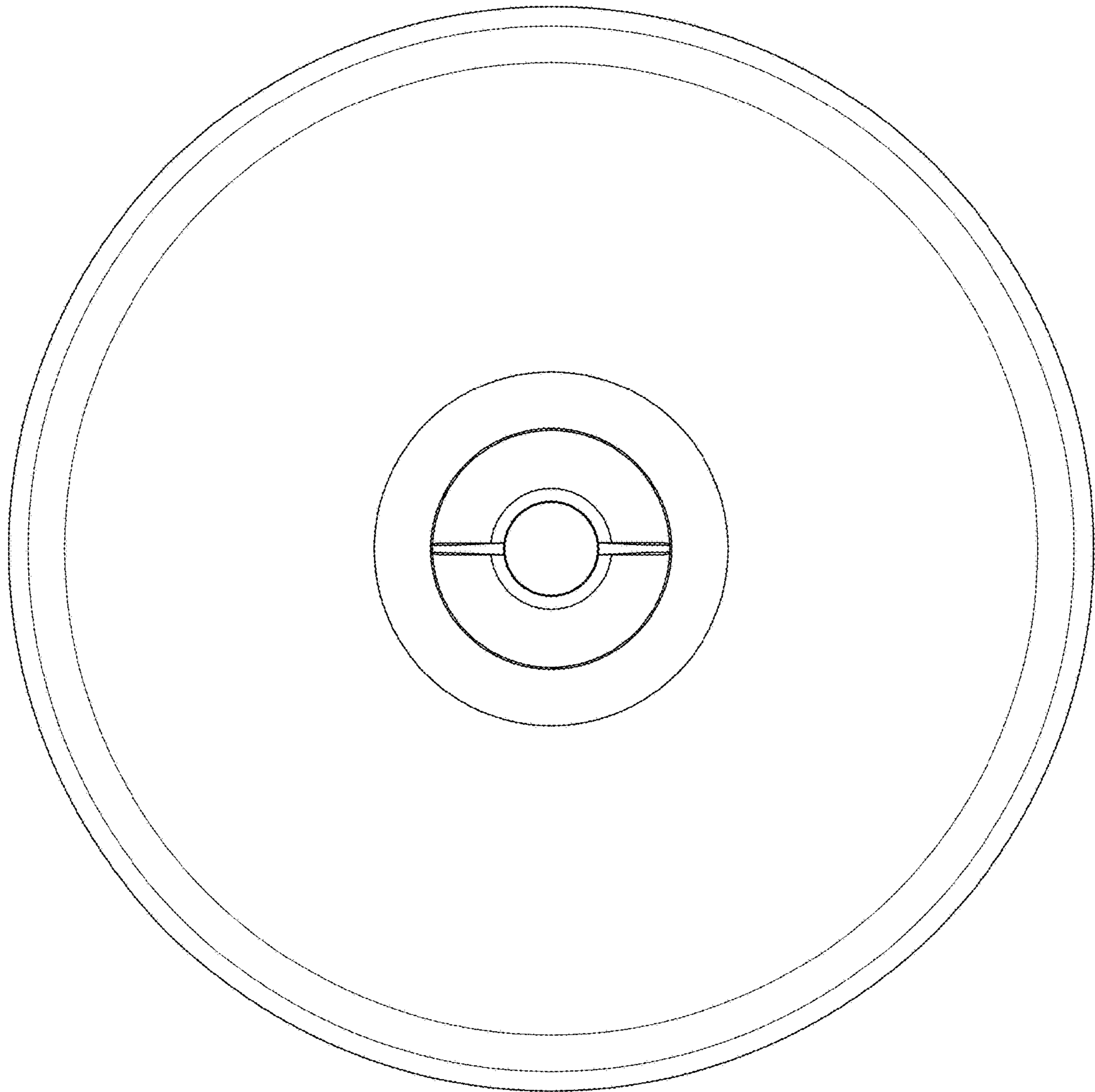


Fig.7